

US00D545406S

(12) **United States Design Patent**
Surinak

(10) **Patent No.:** **US D545,406 S**

(45) **Date of Patent:** **** Jun. 26, 2007**

(54) **TANK MANIFOLD**

(76) **Inventor:** **John J. Surinak**, 2337 S. Shore Dr.,
Delavan, WI (US) 53115

(**) **Term:** **14 Years**

(21) **Appl. No.:** **29/232,447**

(22) **Filed:** **Jun. 17, 2005**

(51) **LOC (8) Cl.** **23-01**

(52) **U.S. Cl.** **D23/266**

(58) **Field of Classification Search** D23/19,
D23/46, 213-214, 259-269; 137/561 A,
137/597, 881, 883, 887, 893; 251/286, 309,
251/315; D15/5-6; 123/52 M, 52 ML,
123/52 MC; 285/130, 150

See application file for complete search history.

(56) **References Cited**

U.S. PATENT DOCUMENTS

2,548,788	A *	4/1951	Helme	239/110
4,816,155	A *	3/1989	Ivan	210/459
D354,799	S *	1/1995	Self	D23/259
5,950,575	A *	9/1999	Simons et al.	122/511
D416,074	S *	11/1999	Mogg	D23/214
5,988,943	A *	11/1999	McCord	405/36
6,076,545	A *	6/2000	Cooper	137/360

D453,953	S *	2/2002	Pearl	D23/213
D465,012	S *	10/2002	Tauzer	D23/259
D488,543	S *	4/2004	Fulcher et al.	D23/259
D503,772	S *	4/2005	Mody et al.	D23/213
7,021,671	B2 *	4/2006	Evans	285/125.1

* cited by examiner

Primary Examiner—Louis S. Zarfes

Assistant Examiner—Eric L. Goodman

(74) *Attorney, Agent, or Firm*—Andrus, Scales, Starke &
Sawall, LLP

(57) **CLAIM**

The ornamental design for a tank manifold, as shown and described.

DESCRIPTION

FIG. 1 is a front perspective view of a tank manifold showing my new design;

FIG. 2 is a front view of the tank manifold shown in FIG. 1;

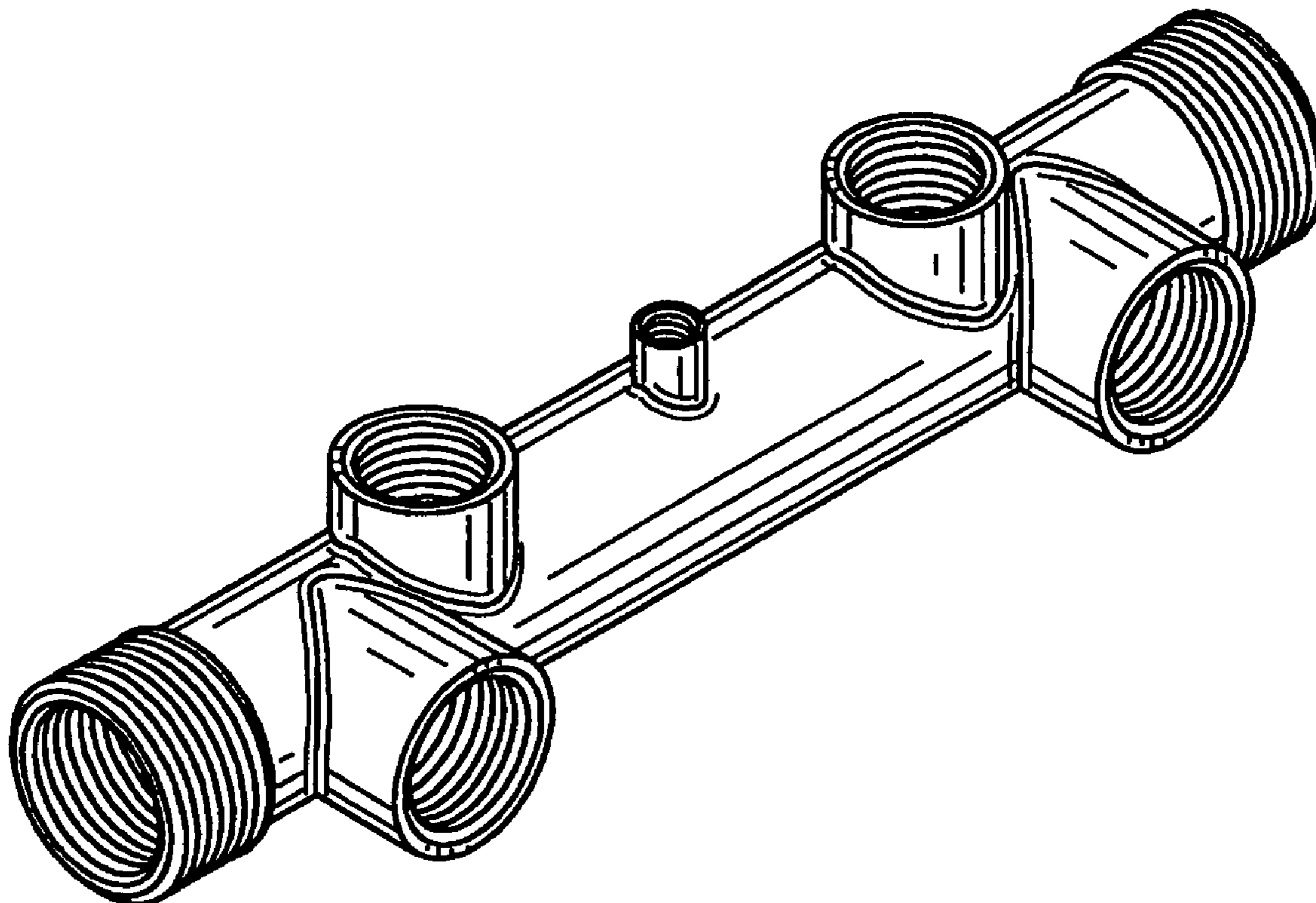
FIG. 3 is a left side end view thereof;

FIG. 4 is a top plan view thereof;

FIG. 5 is a rear view thereof; and,

FIG. 6 is a bottom view thereof.

1 Claim, 2 Drawing Sheets



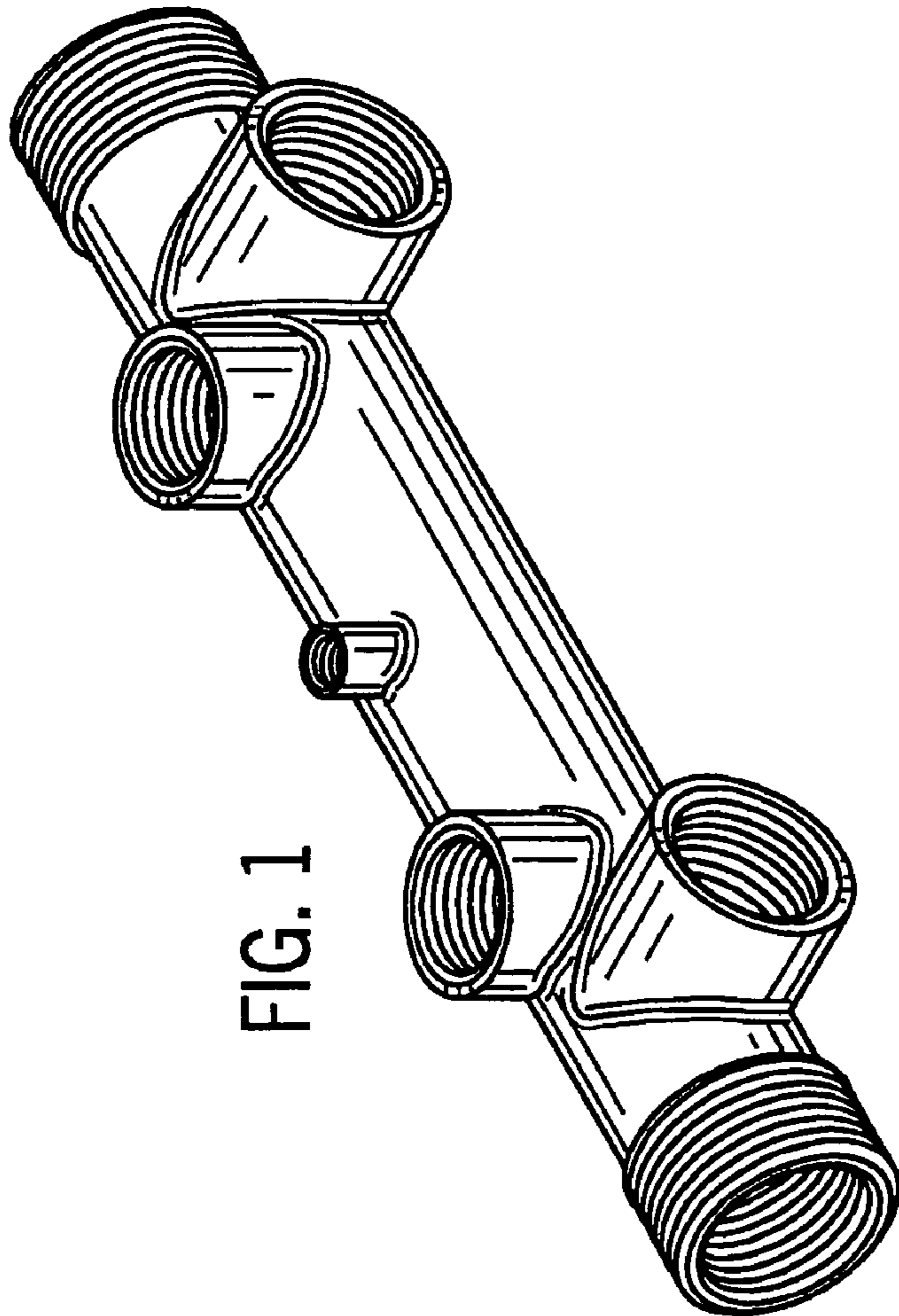


FIG. 3

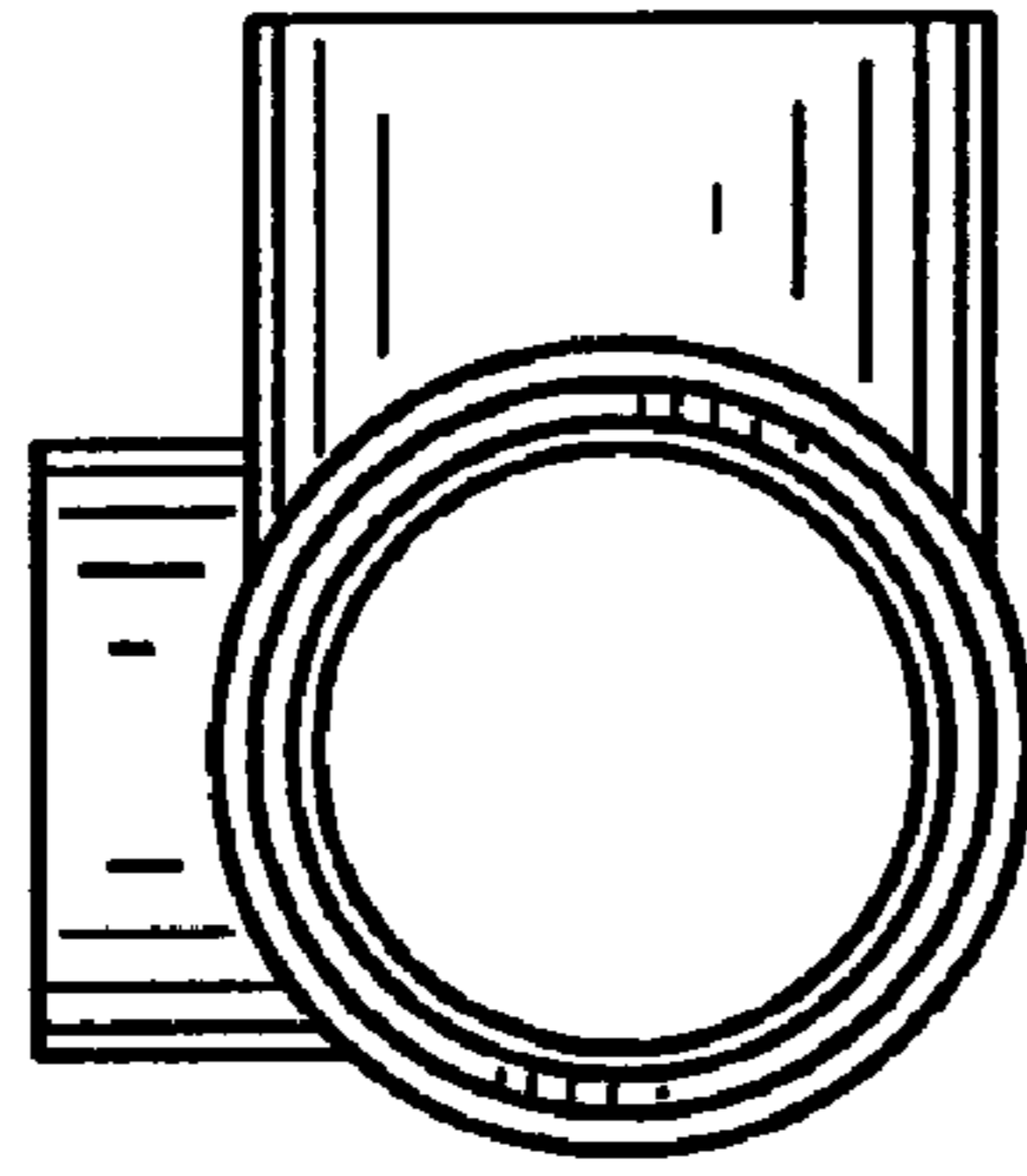
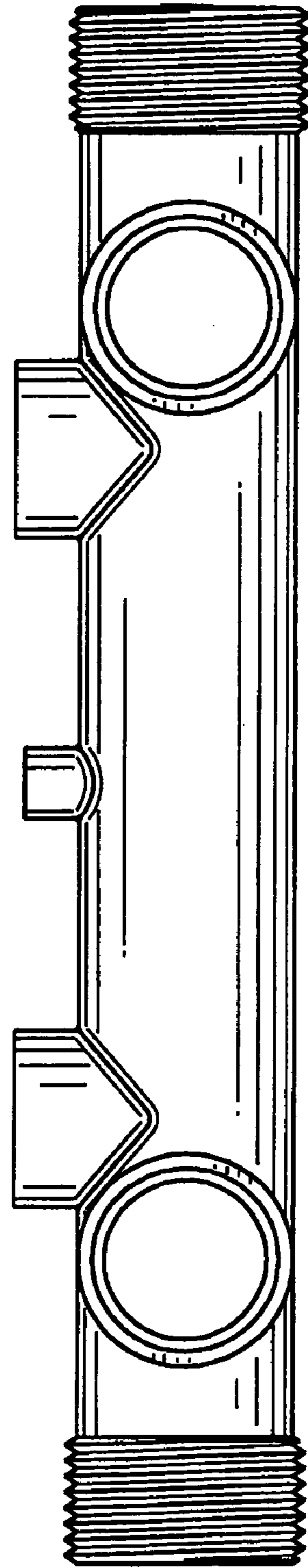


FIG. 2



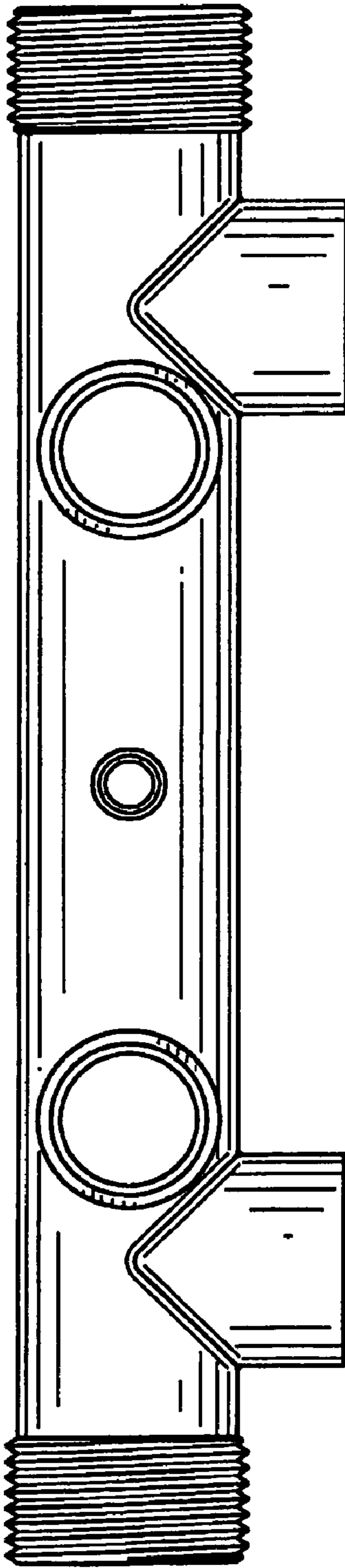


FIG. 4

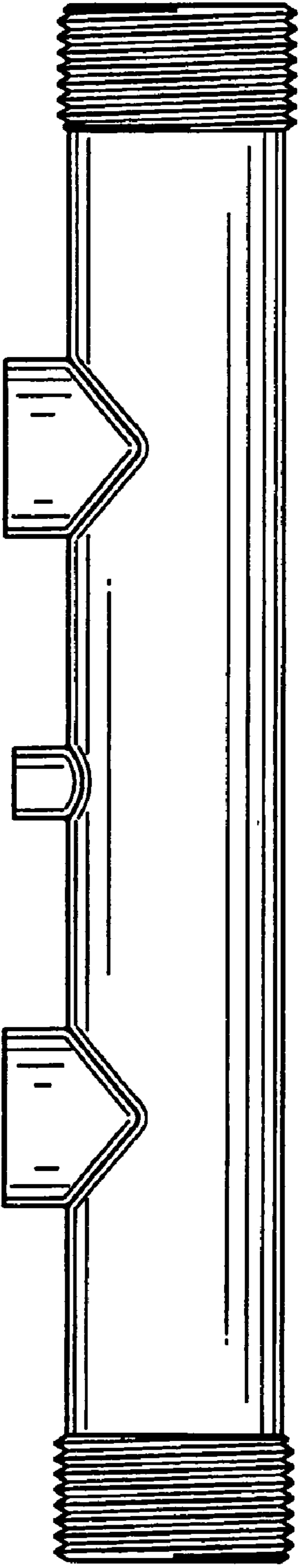


FIG. 5

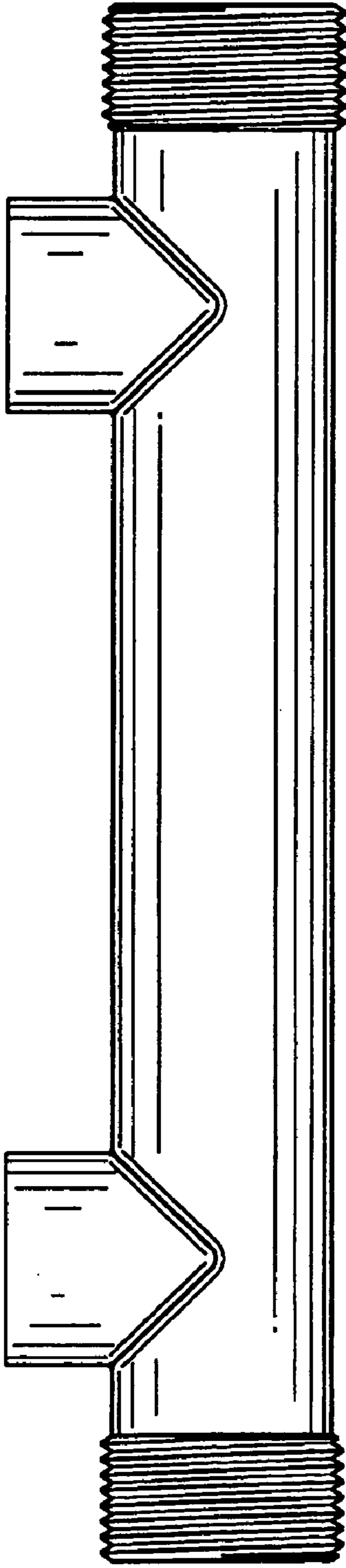


FIG. 6