

US00D545403S

(12) **United States Design Patent**
Kemp

(10) **Patent No.:** **US D545,403 S**

(45) **Date of Patent:** **** Jun. 26, 2007**

(54) **SPOUT**

(75) Inventor: **Douglas A. Kemp**, North Ridgeville,
OH (US)

(73) Assignee: **Moen Incorporated**, North Olmsted,
OH (US)

(**) Term: **14 Years**

(21) Appl. No.: **29/244,891**

(22) Filed: **Dec. 14, 2005**

(51) **LOC (8) Cl.** **23-01**

(52) **U.S. Cl.** **D23/255; D23/213**

(58) **Field of Classification Search** D23/213,
D23/223, 229-30, 238, 255; 4/675-678
See application file for complete search history.

(56) **References Cited**

U.S. PATENT DOCUMENTS

D258,677 S	3/1981	Larsson	
D374,271 S	10/1996	Fleischmann	
D396,094 S	7/1998	Doughty et al.	
D409,277 S	5/1999	Gottwald	
D410,732 S	6/1999	Gottwald	
6,085,790 A *	7/2000	Humpert et al.	137/801
D444,849 S	7/2001	Hsiao	
D444,851 S	7/2001	Sturgeon	
D472,961 S	4/2003	Ziemann	

D488,209 S	4/2004	Lobermeier	
D496,712 S *	9/2004	Schiller et al.	D23/229
6,810,539 B2	11/2004	Bosio	
6,877,172 B2 *	4/2005	Malek et al.	4/678
D522,614 S *	6/2006	Ko	D23/229
2003/0188381 A1	10/2003	Bosio	
2004/0010848 A1	1/2004	Esche	

* cited by examiner

Primary Examiner—Robin Webster

(74) *Attorney, Agent, or Firm*—Calfee, Halter & Griswold
LLP

(57) **CLAIM**

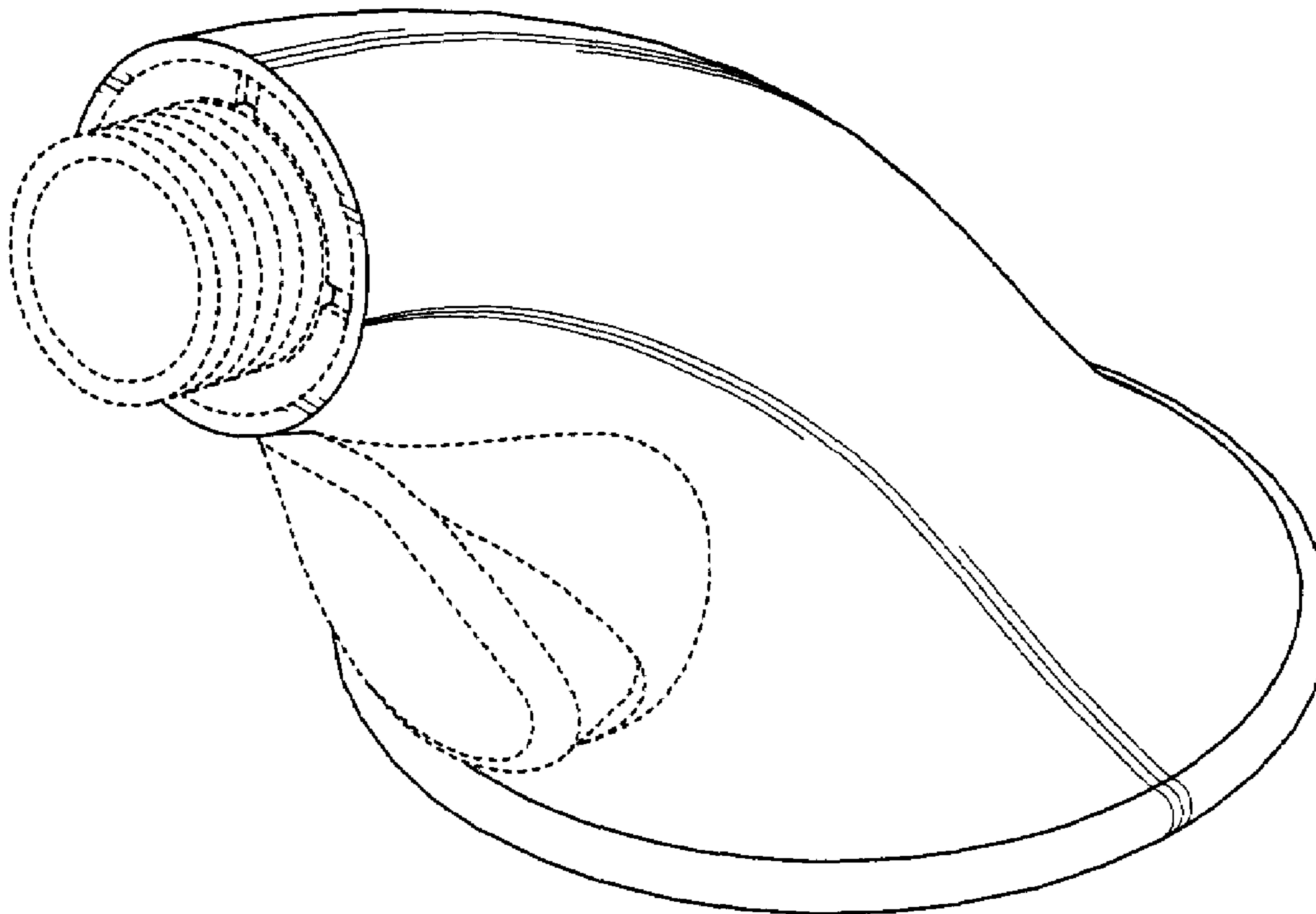
The ornamental design for a spout, as shown and described.

DESCRIPTION

FIG. 1 is a perspective view of a spout of the new design;
FIG. 2 is a front elevational view of the spout of FIG. 1;
FIG. 3 is a rear elevational view of the spout of FIG. 1;
FIG. 4 is a left elevational view of the spout of FIG. 1;
FIG. 5 is a right elevational view of the spout of FIG. 1;
FIG. 6 is a top plan view of the spout of FIG. 1; and,
FIG. 7 is a bottom plan view of the spout of FIG. 1.

The portions of the Figures shown in broken lines are not
part of the claimed design and are for illustration only.

1 Claim, 3 Drawing Sheets



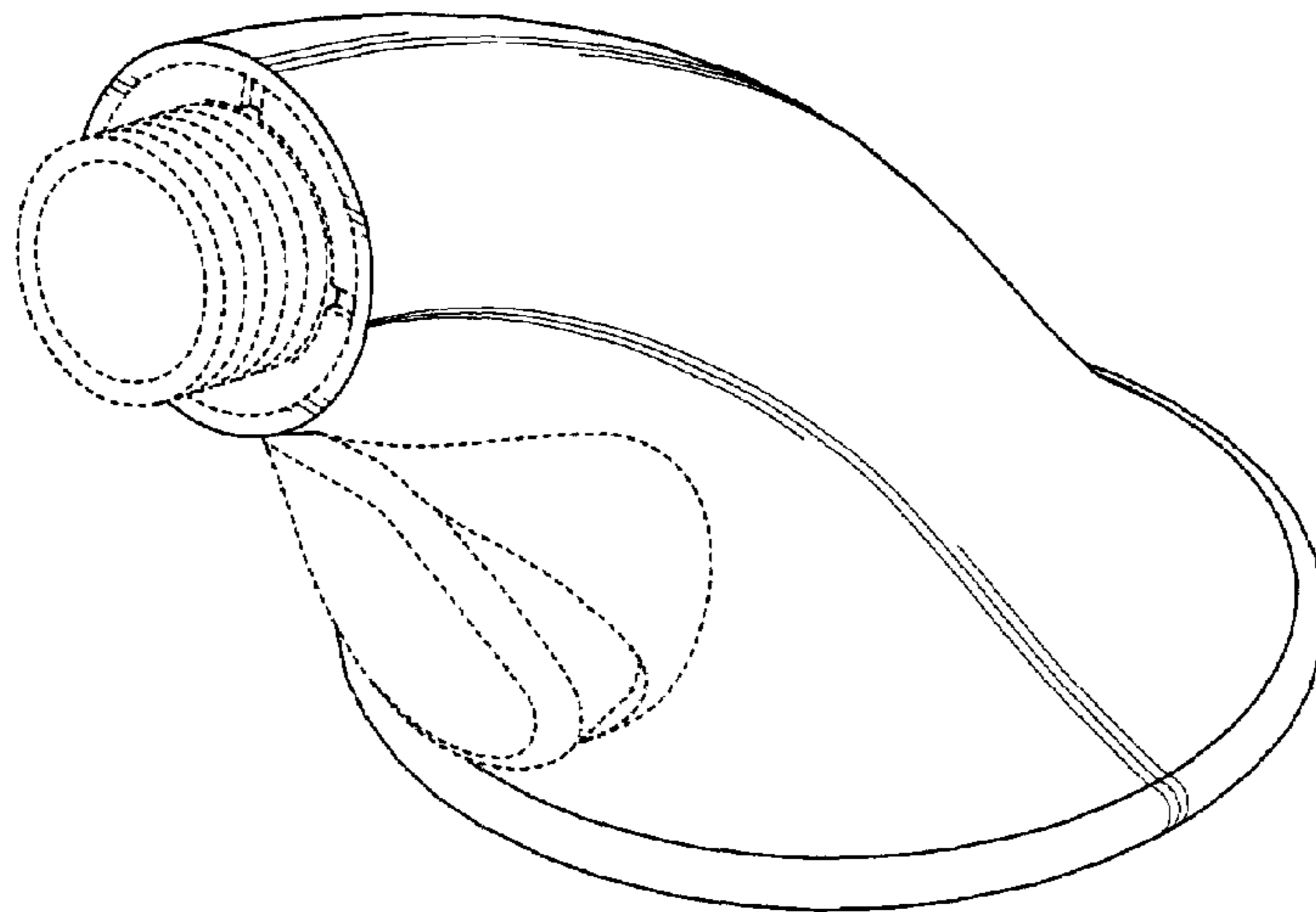


FIG. 1

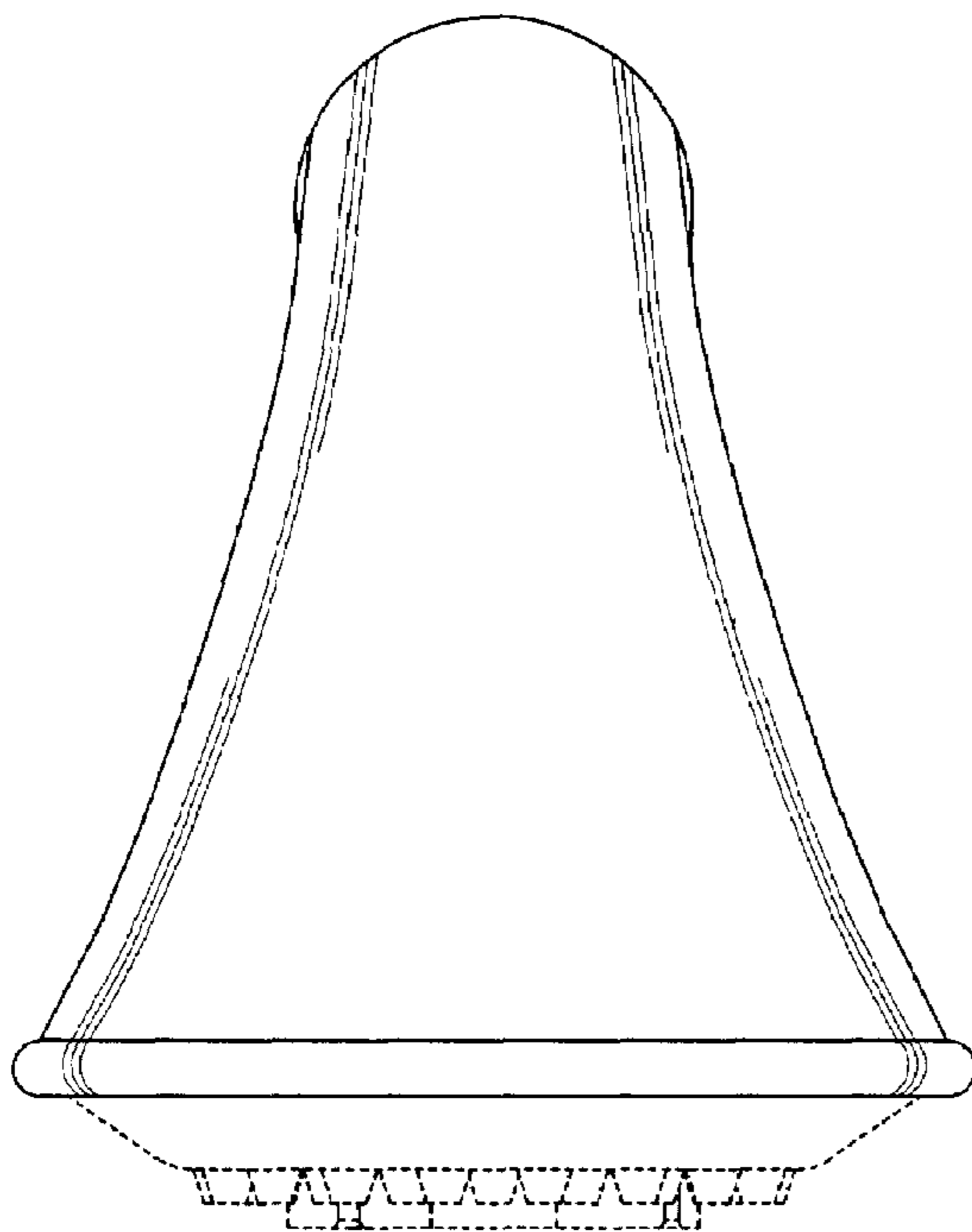


FIG. 2

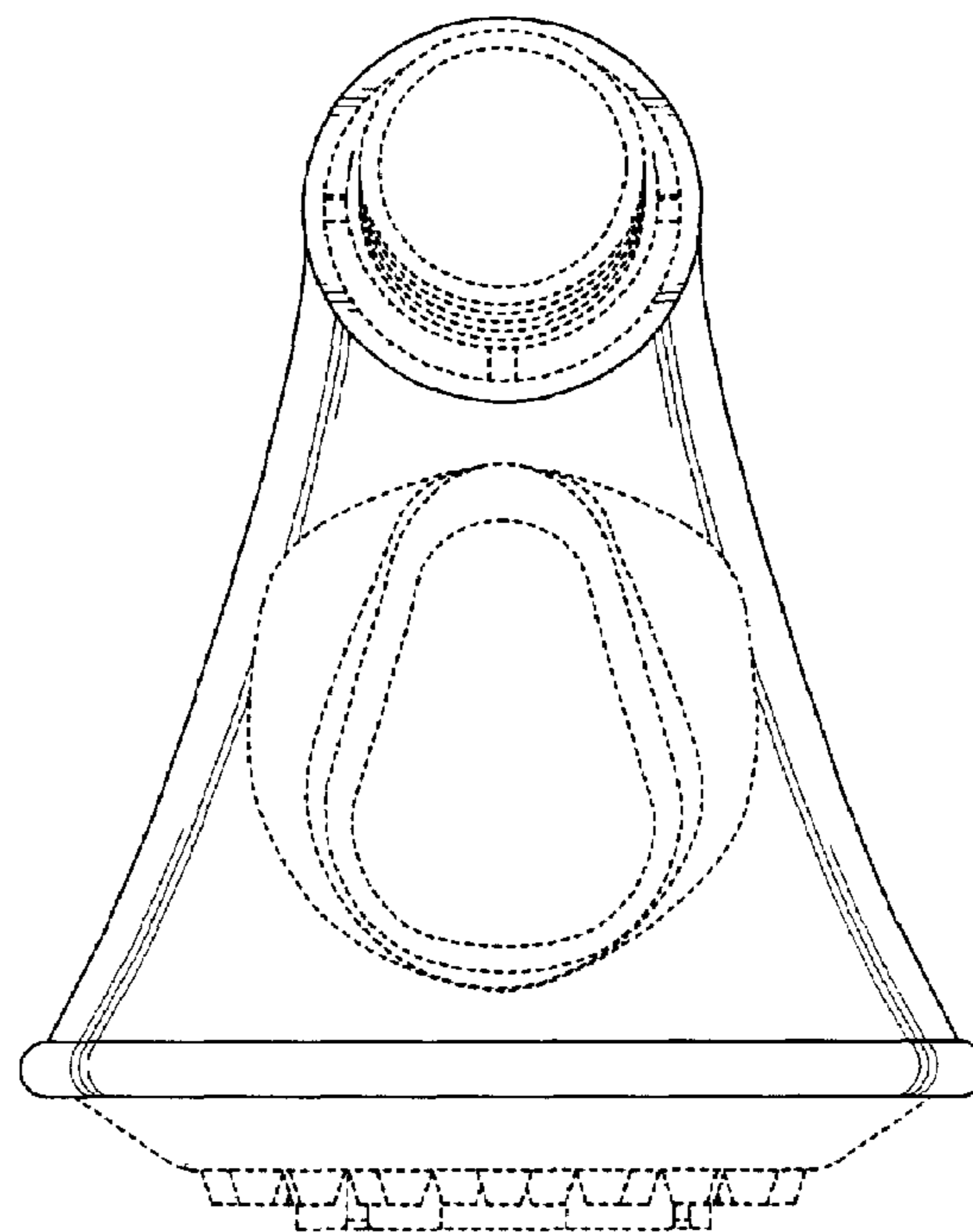
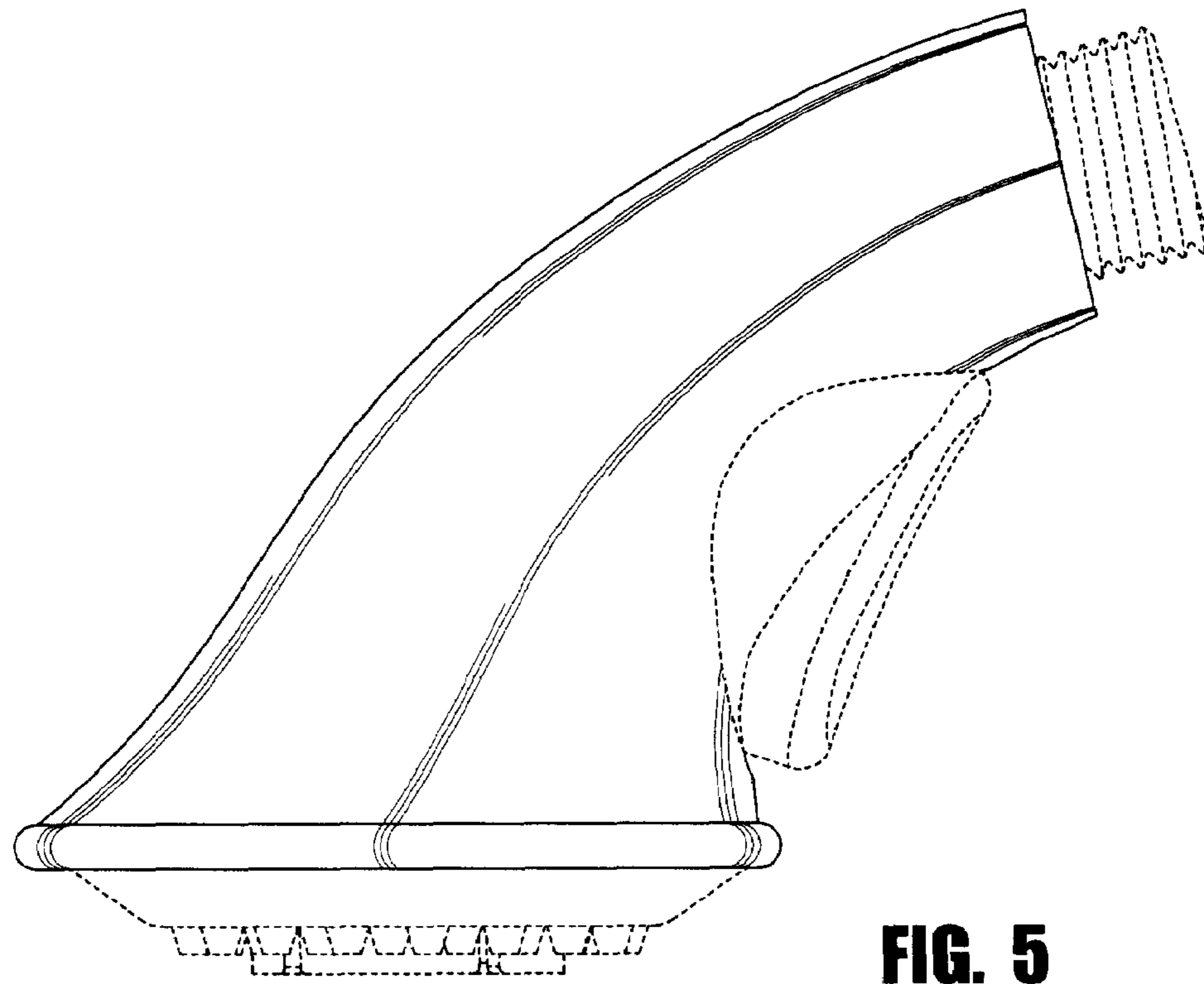
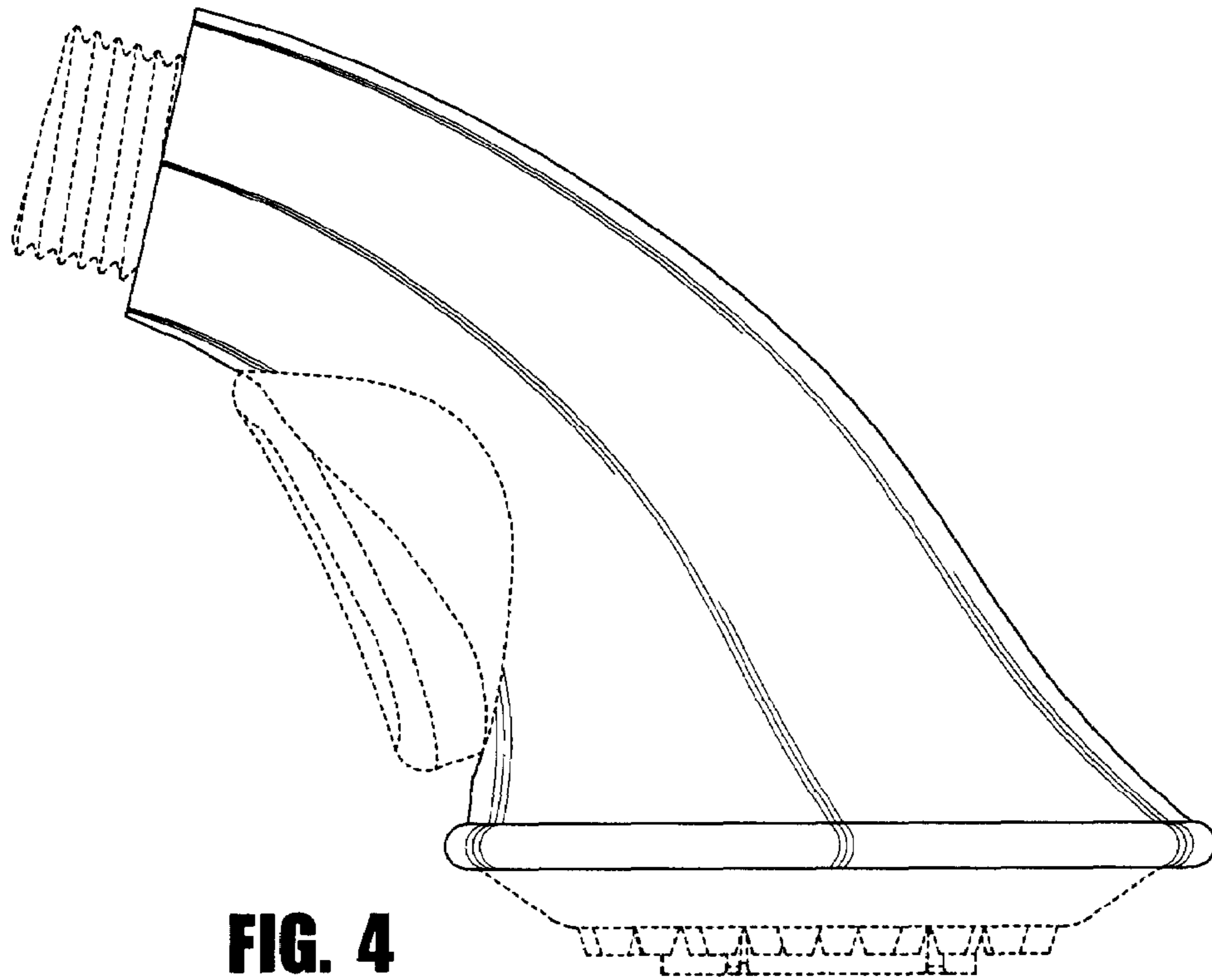


FIG. 3



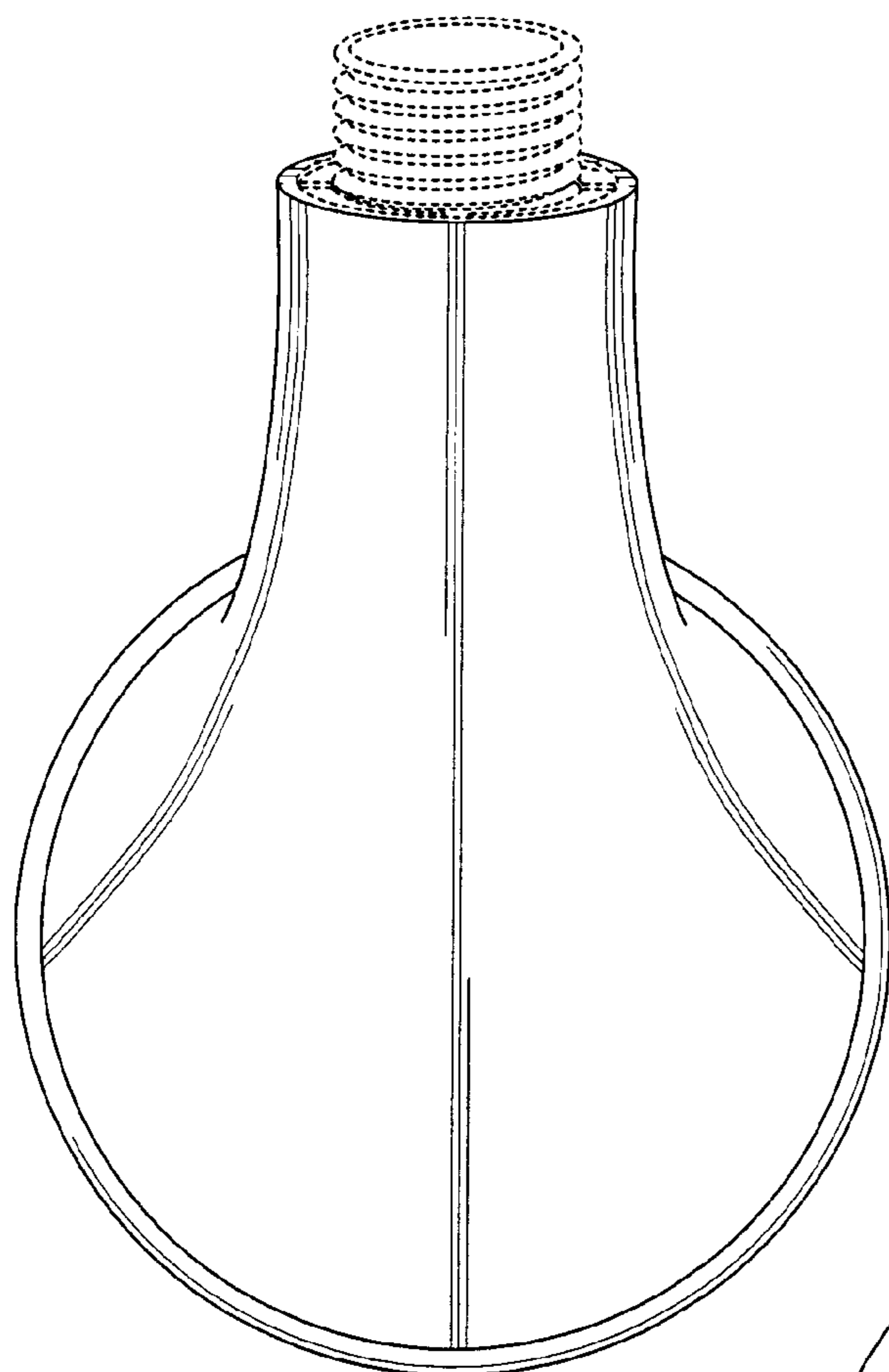


FIG. 6

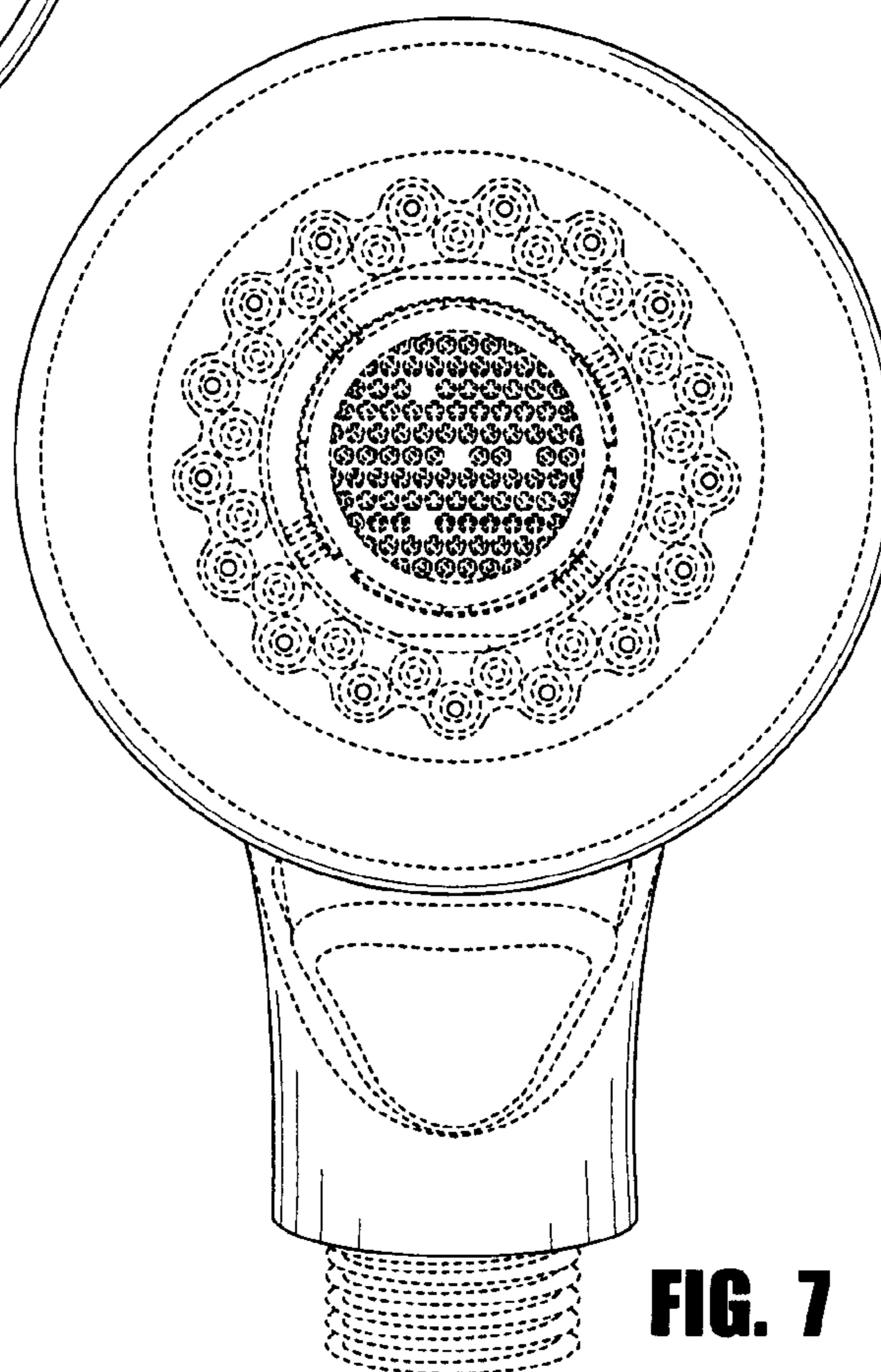


FIG. 7