

US00D545402S

(12) **United States Design Patent**
Kohler, Jr. et al.

(10) **Patent No.:** **US D545,402 S**
(45) **Date of Patent:** **** Jun. 26, 2007**

(54) **HANDLE**

(75) Inventors: **Herbert V. Kohler, Jr.**, Kohler, WI (US); **Howard M. Montgomery**, Sheboygan, WI (US)

(73) Assignee: **Kohler Co.**, Kohler, WI (US)

(**) Term: **14 Years**

(21) Appl. No.: **29/236,442**

(22) Filed: **Aug. 16, 2005**

(51) **LOC (8) Cl.** **23-01**

(52) **U.S. Cl.** **D23/252**

(58) **Field of Classification Search** D23/238–257;
D8/250–257, 300–322, DIG. 3; 16/110.1;
4/675–678; 137/801

See application file for complete search history.

(56) **References Cited**

U.S. PATENT DOCUMENTS

D87,830 S	9/1932	Ferguson	
D105,160 S	* 6/1937	Zinkil D23/252
D175,819 S	10/1955	Young	
D264,131 S	4/1982	Matsuura	
D325,622 S	4/1992	Bengtson	
D411,870 S	7/1999	Humber	
D428,118 S	* 7/2000	McKeone D23/252
D466,990 S	12/2002	Wang	
D476,065 S	6/2003	Smith	
D521,607 S	* 5/2006	Blomstrom D23/252
D522,624 S	* 6/2006	Koury et al. D23/252

* cited by examiner

Primary Examiner—Louis S. Zarfes

Assistant Examiner—Gregory Andoll

(74) *Attorney, Agent, or Firm*—Quarles & Brady LLP

(57) **CLAIM**

The ornamental design for a handle, as shown and described.

DESCRIPTION

In a preferred embodiment, the nature of this product is a handle for a plumbing fixture such as a faucet.

FIG. 1 is a right, top, front perspective view of a handle according to our new design;

FIG. 2 is a top plan view thereof;

FIG. 3 is a front elevational view thereof, the rear elevational view thereof being a mirror image of the front view shown,

FIG. 4 is a right side elevational view thereof;

FIG. 5 is a left side elevational view thereof;

FIG. 6 is a bottom plan view thereof;

FIG. 7 is a right, top, front perspective view of a handle according to another embodiment of our new design, and the bottom plan view thereof being identical to FIG. 6;

FIG. 8 is a top plan view thereof;

FIG. 9 is a front elevational view thereof, the rear elevational view thereof being a mirror image of the front view shown,

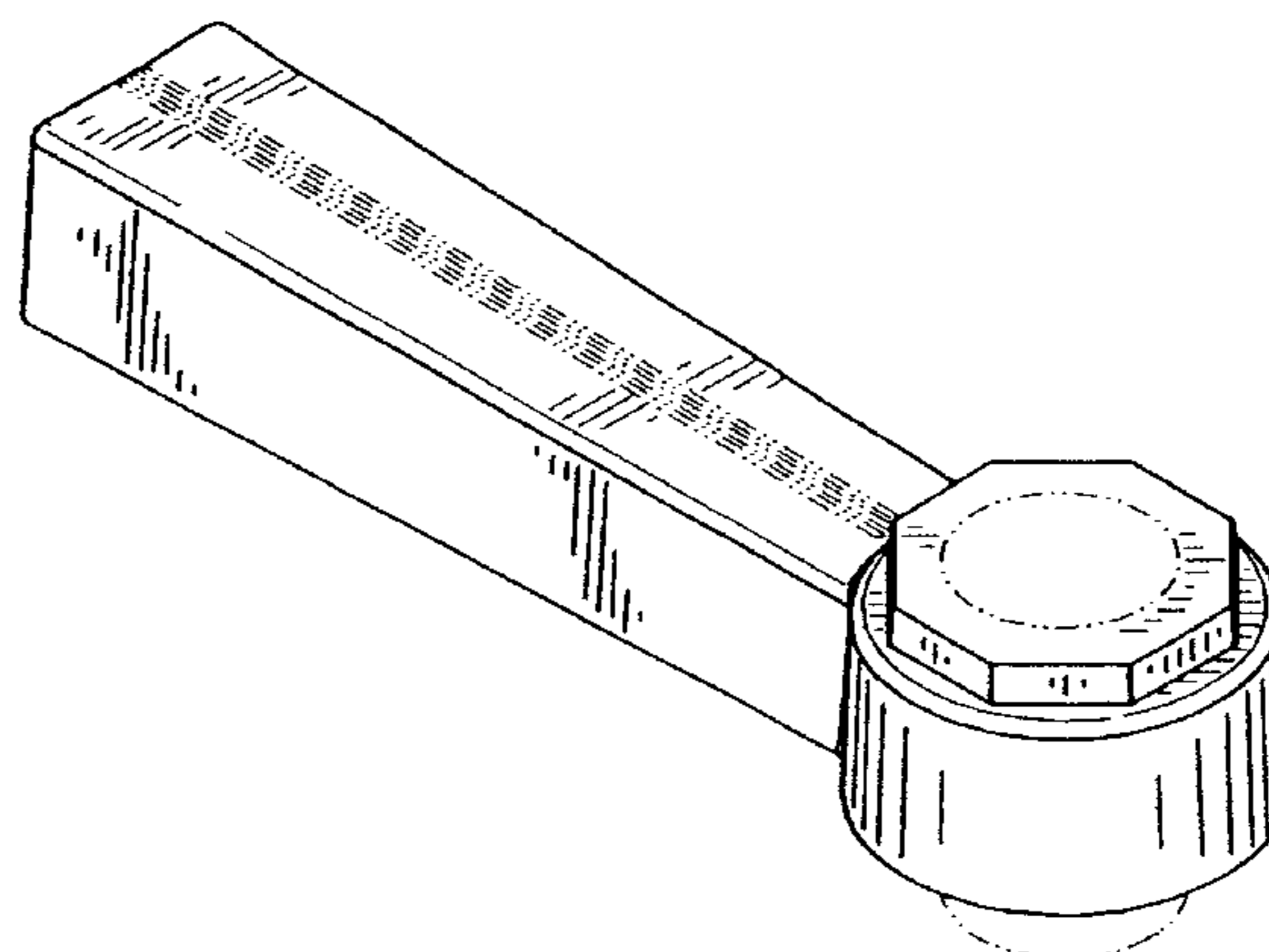
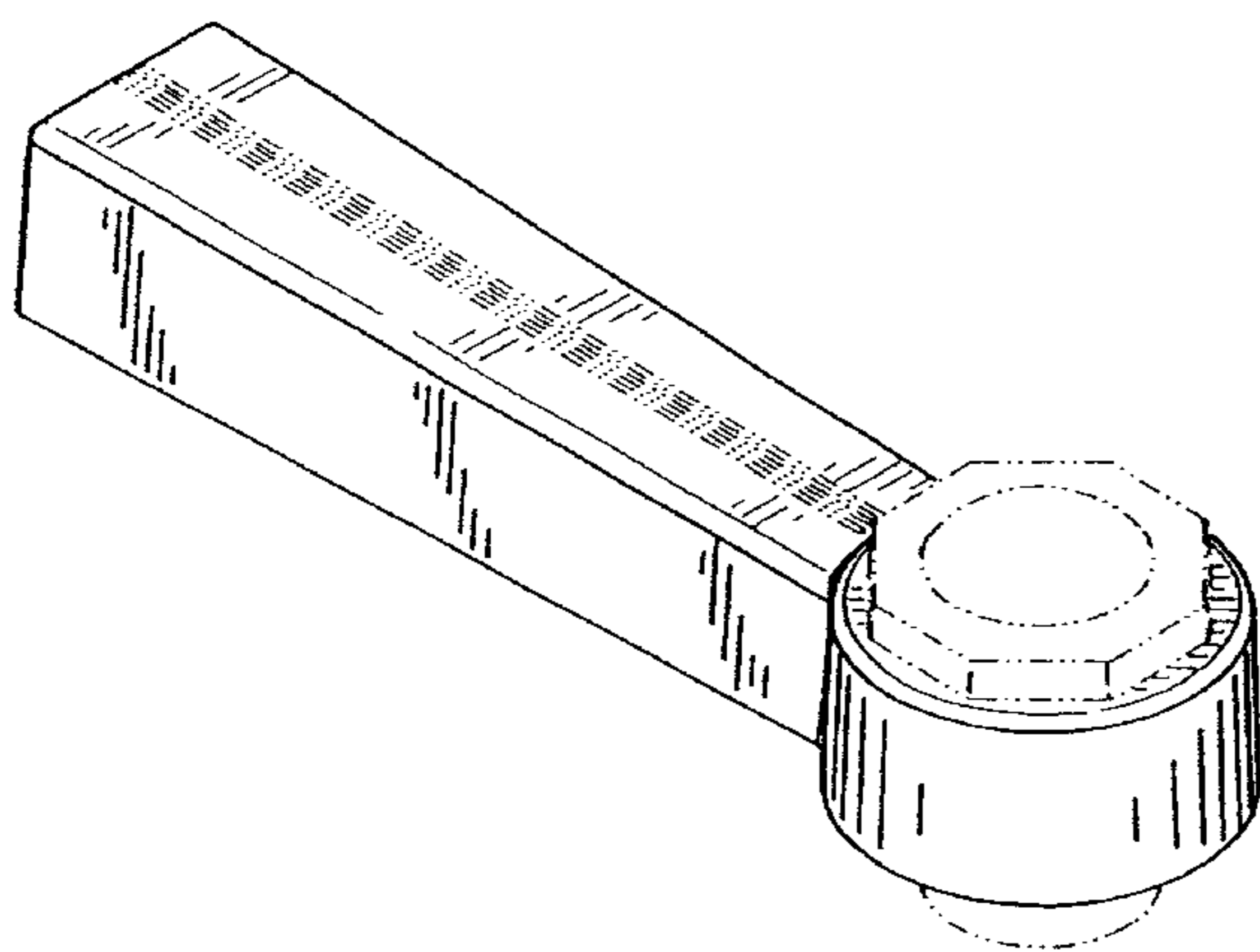
FIG. 10 is a right side elevational view thereof;

FIG. 11 is a left side elevational view thereof; and,

FIG. 12 illustrates the handle of FIG. 7 with escutcheon/bonnet environment of a faucet.

The broken line representations of handle structure in the figures, grooves in FIGS. 1–2 and 7–8, and the escutcheon/bonnet environment of FIG. 12, are for the purpose of illustration only, and form no part of the claimed design.

1 Claim, 4 Drawing Sheets



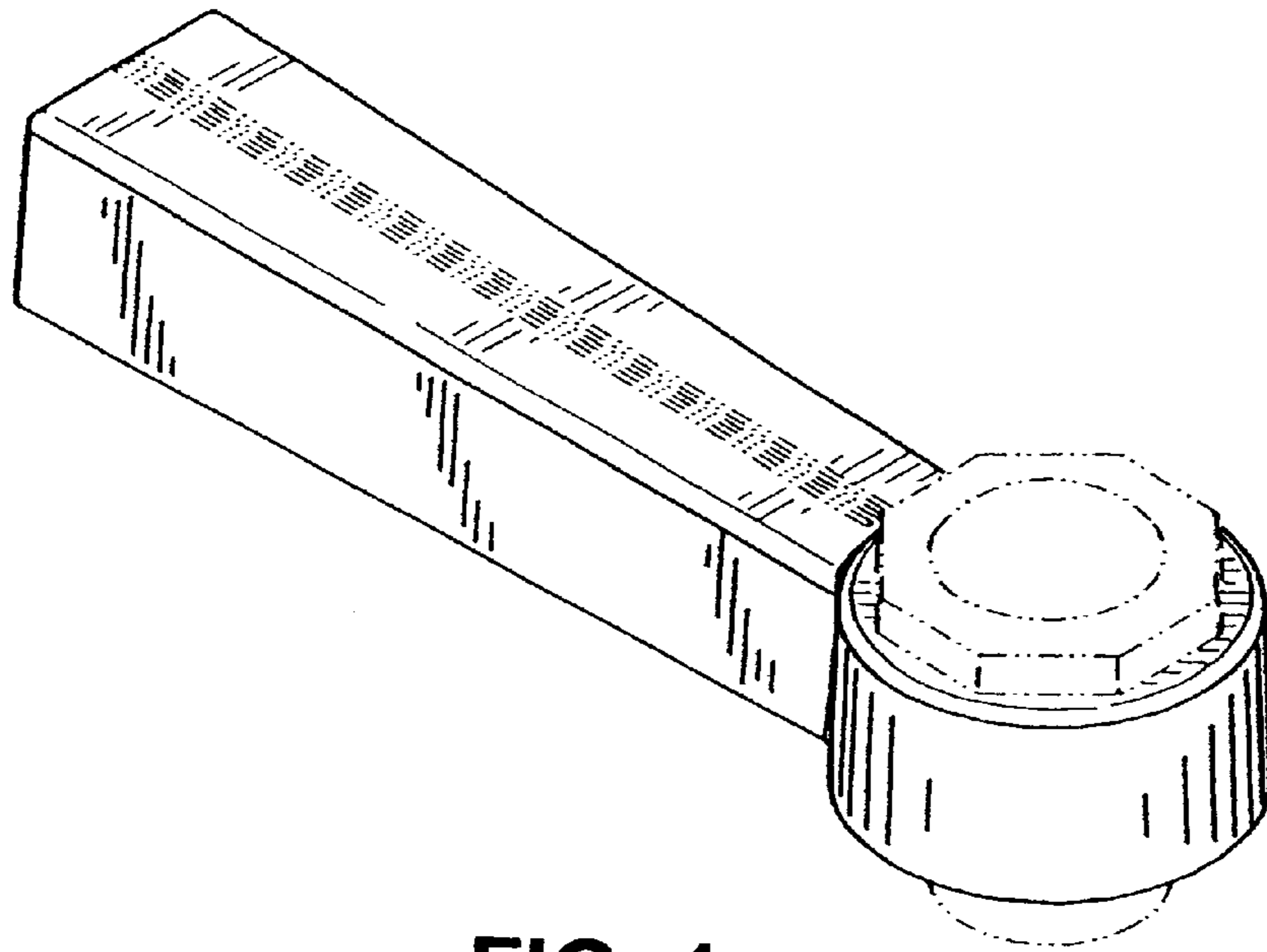


FIG. 1

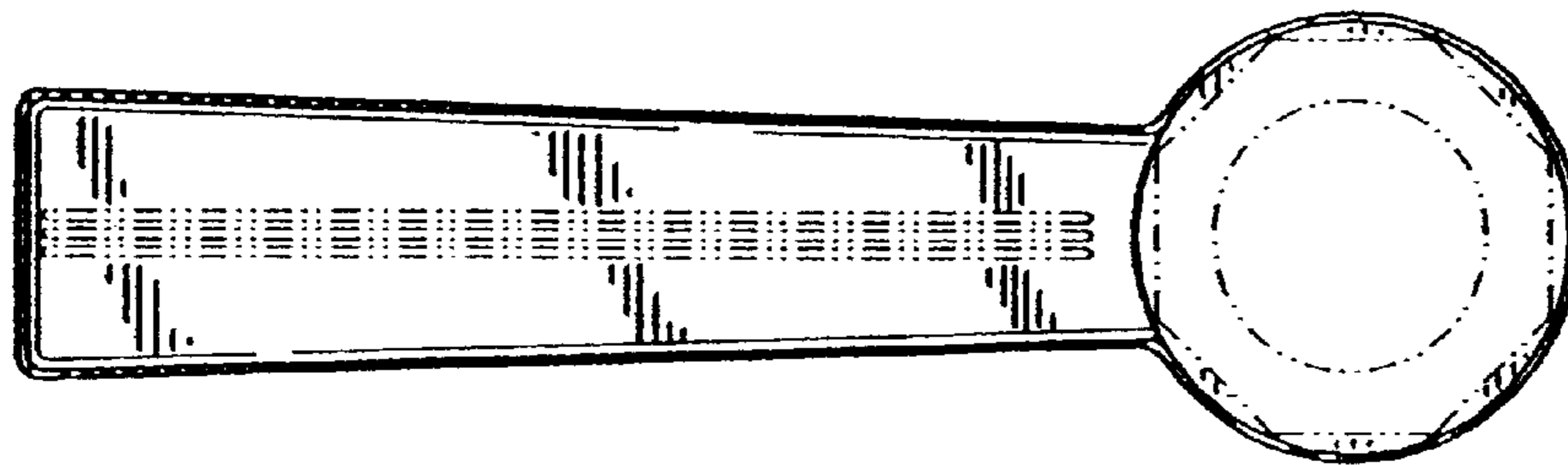


FIG. 2

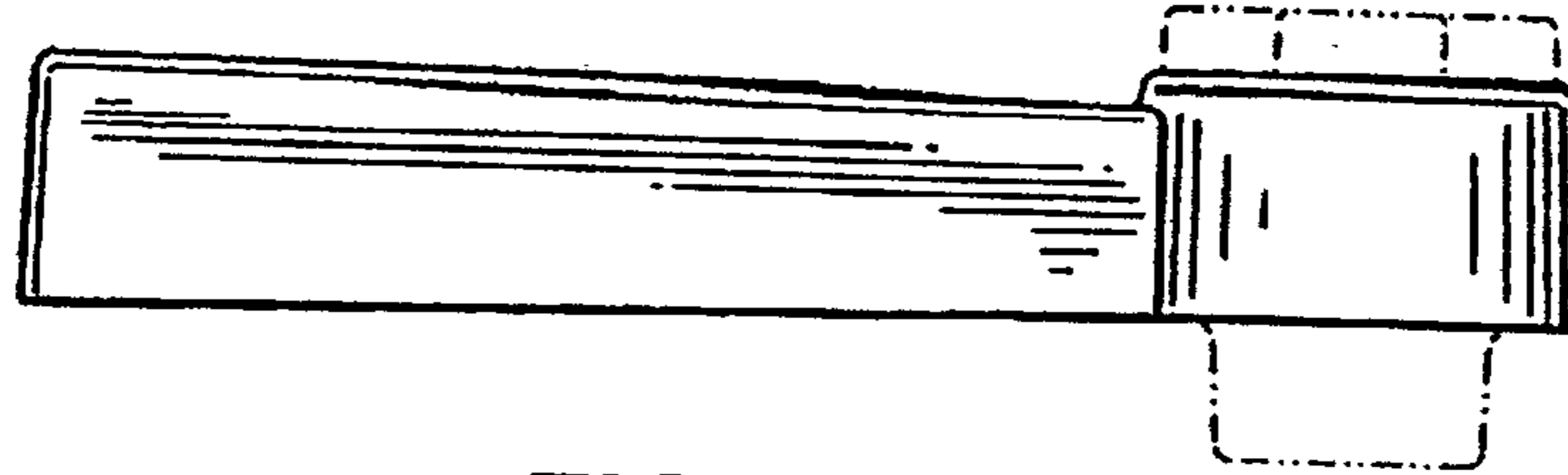


FIG. 3

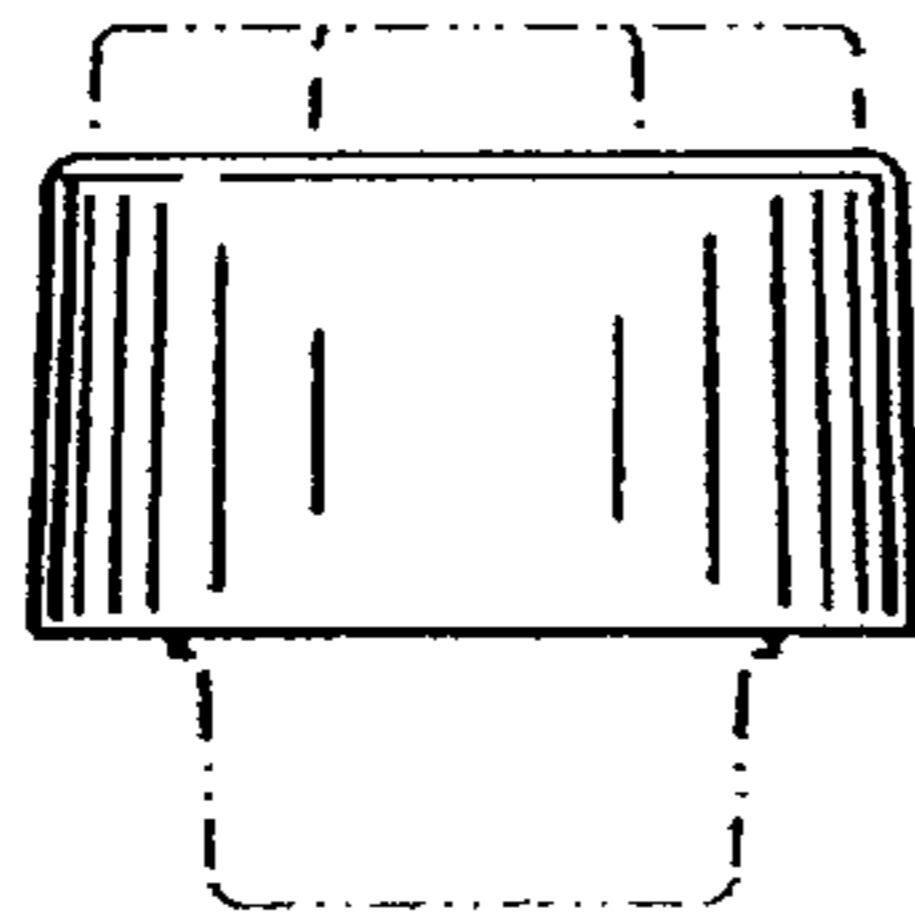


FIG. 4

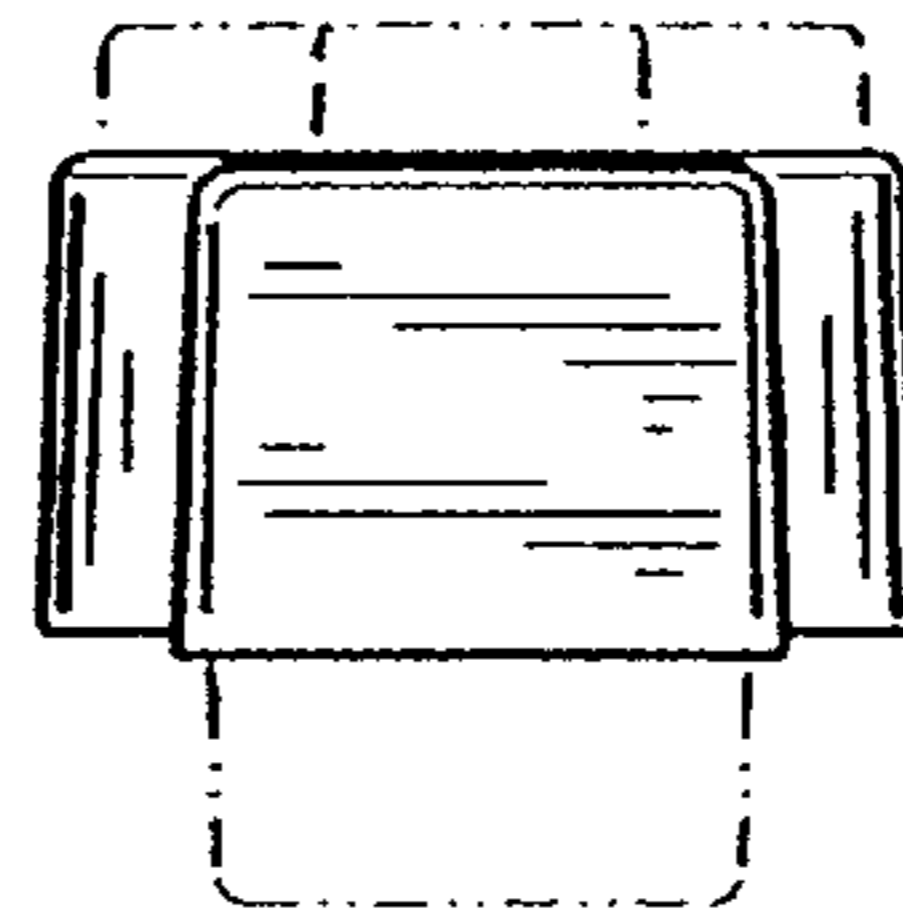


FIG. 5

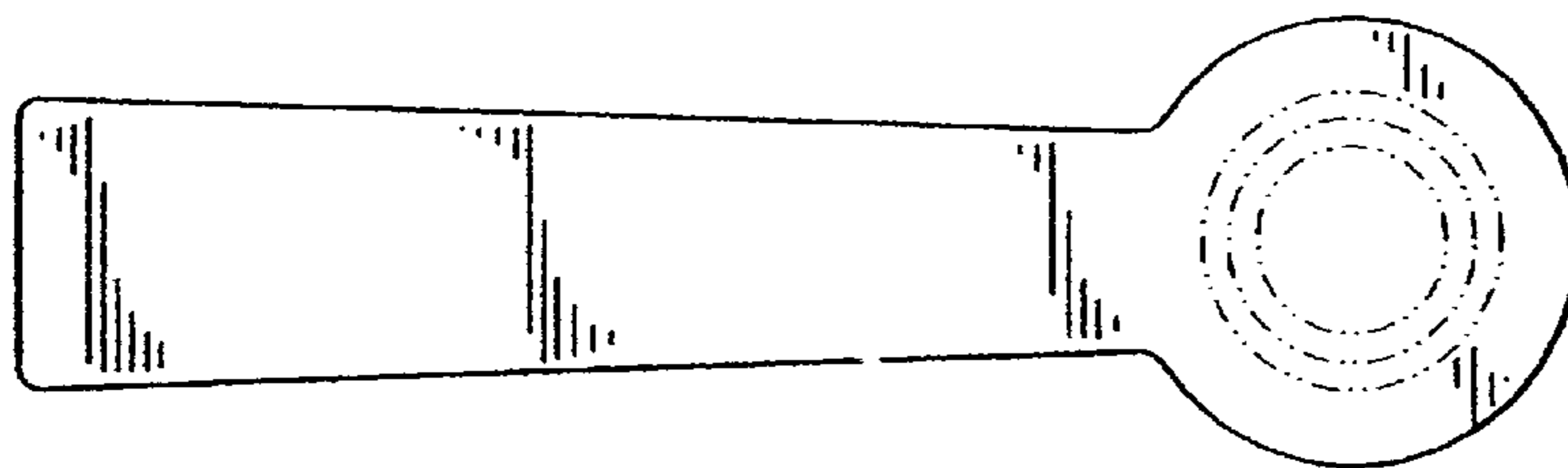


FIG. 6

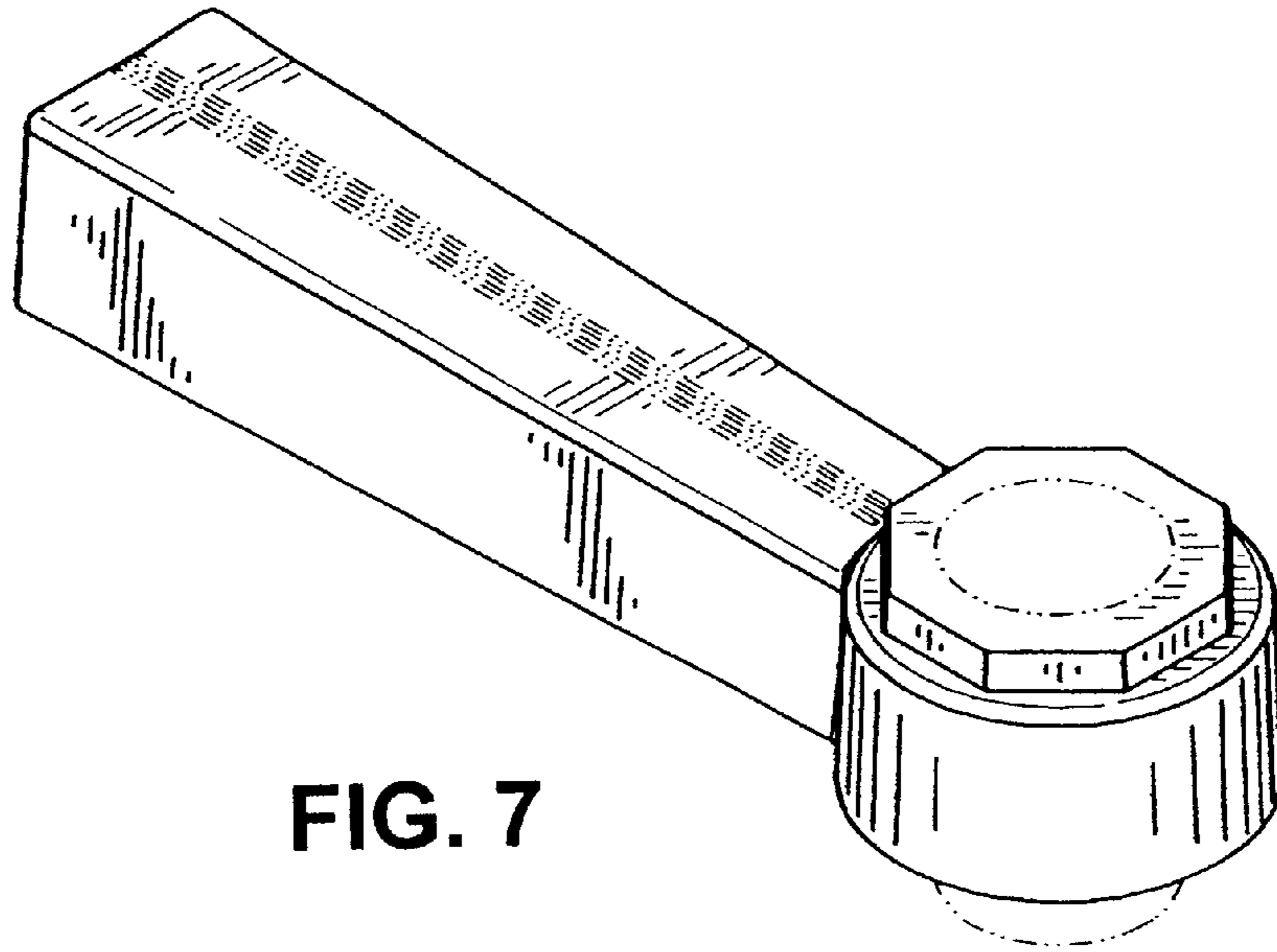


FIG. 7

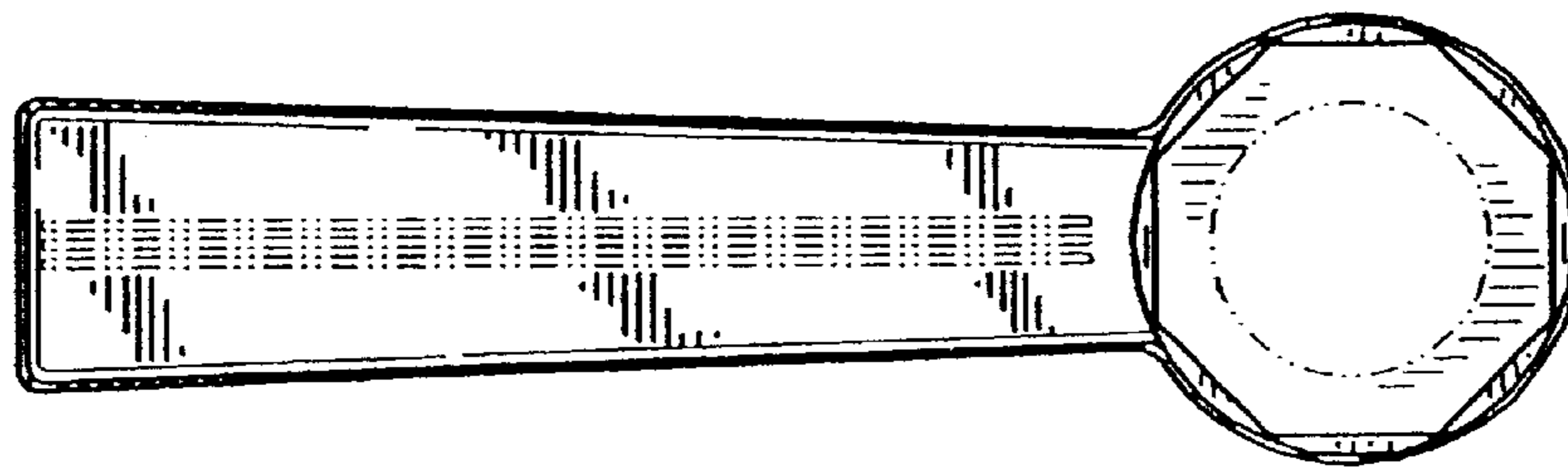


FIG. 8

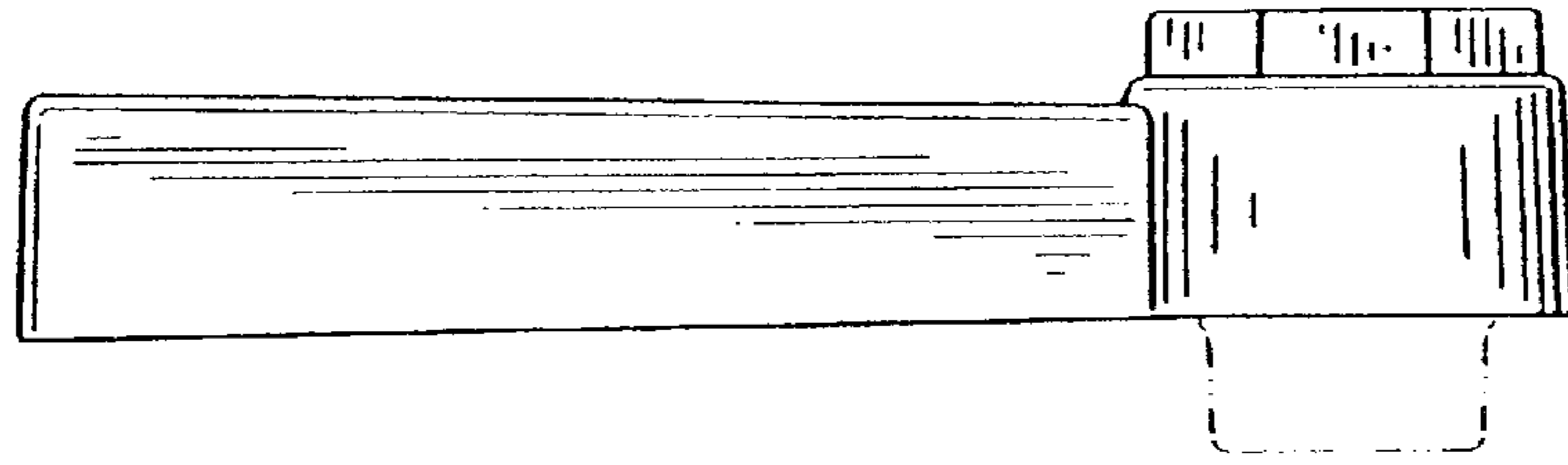


FIG. 9

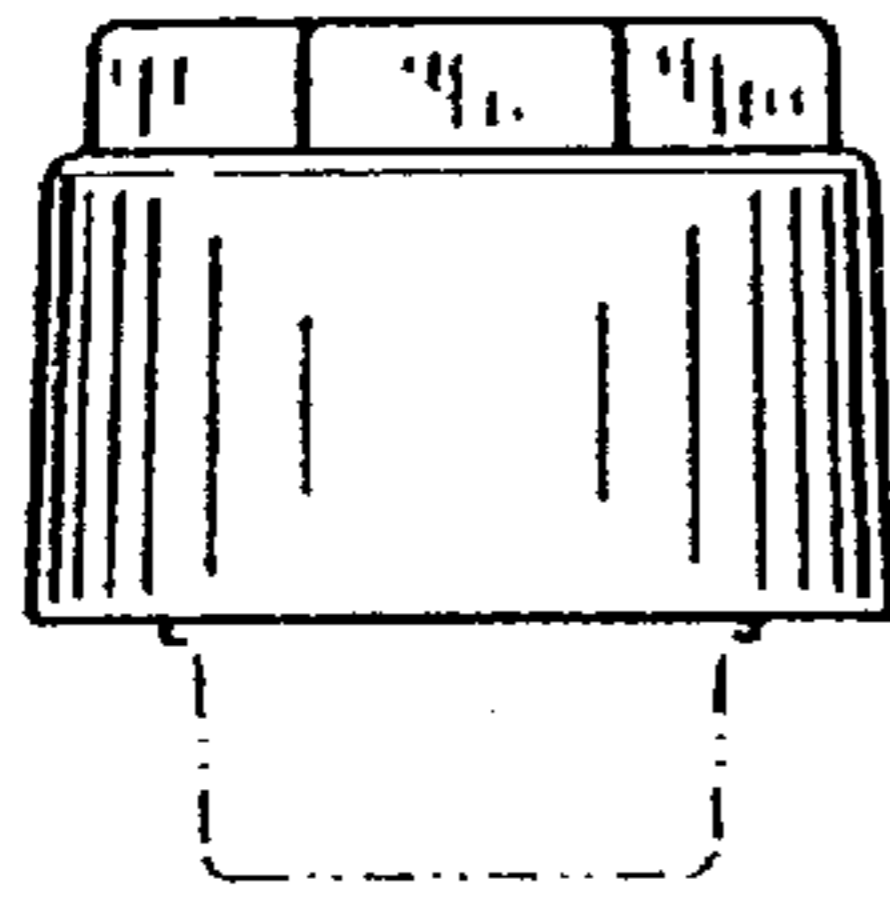


FIG. 10

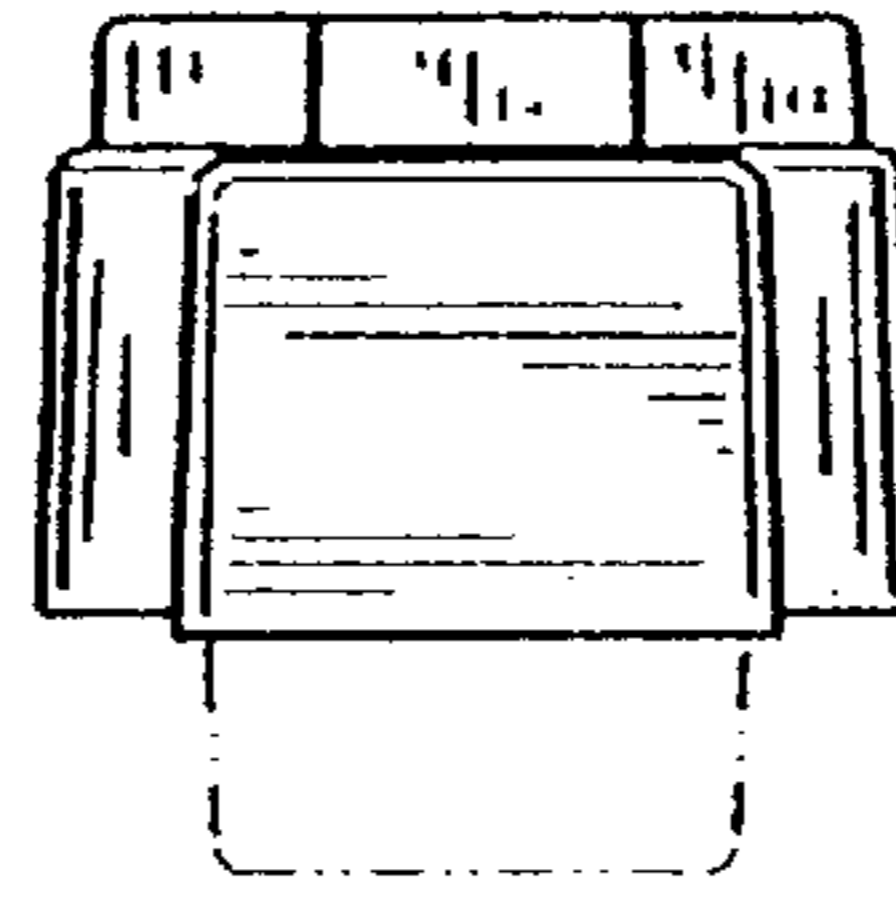


FIG. 11

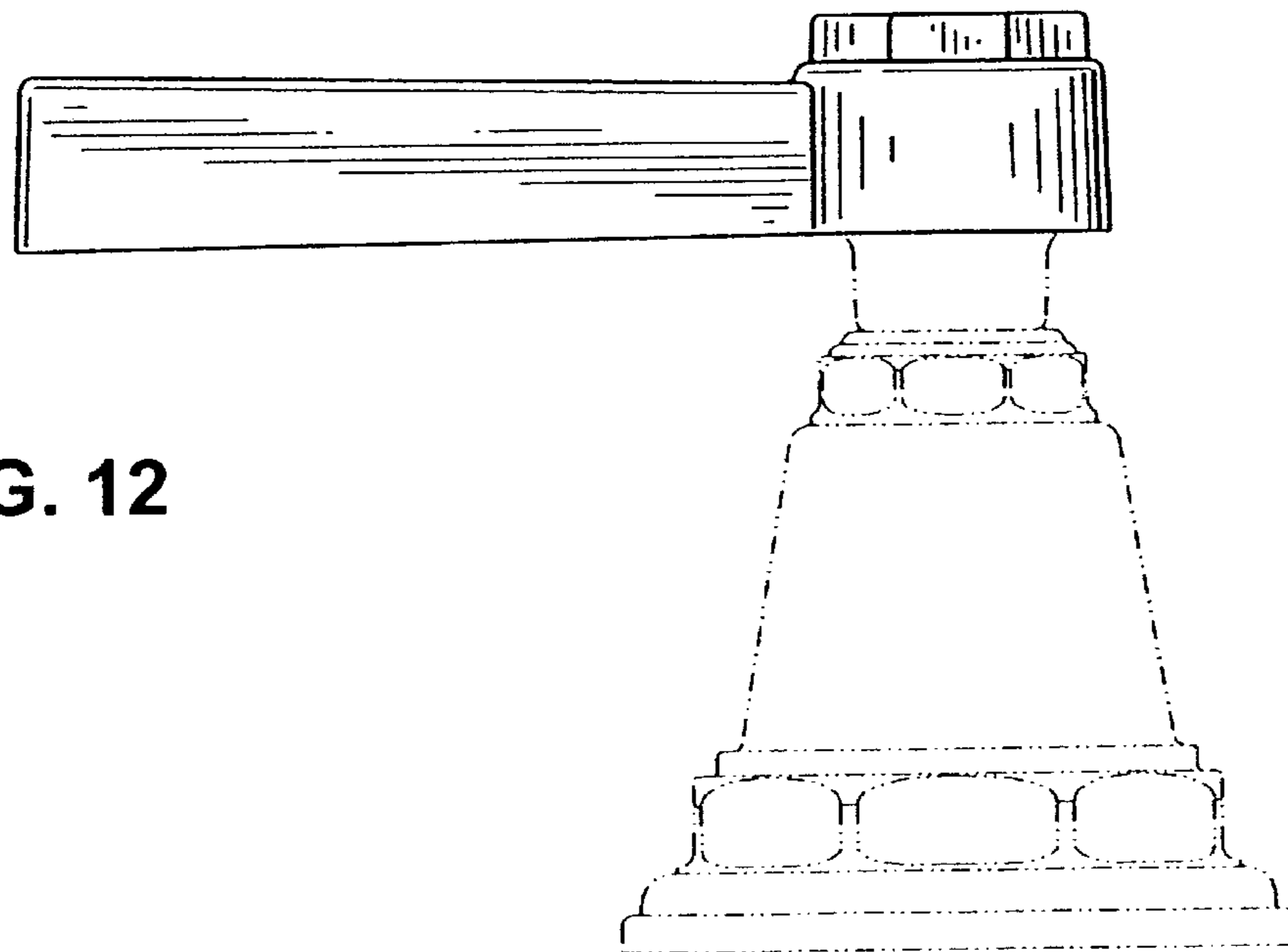


FIG. 12