

US00D545399S

(12) **United States Design Patent**  
**Kemp**

(10) **Patent No.:** **US D545,399 S**

(45) **Date of Patent:** **\*\* Jun. 26, 2007**

(54) **SPOUT PORTION**

(75) Inventor: **Douglas A. Kemp**, North Ridgeville,  
OH (US)

(73) Assignee: **Moen Incorporated**, North Olmsted,  
OH (US)

(\*\*) Term: **14 Years**

(21) Appl. No.: **29/259,822**

(22) Filed: **May 15, 2006**

**Related U.S. Application Data**

(63) Continuation of application No. 29/201,526, filed on  
Mar. 17, 2004, now Pat. No. Des. 521,126.

(51) **LOC (8) Cl.** ..... **23-01**

(52) **U.S. Cl.** ..... **D23/249; D23/238; D23/255**

(58) **Field of Classification Search** ..... **D23/238-257;**  
**4/675-678; 137/801**

See application file for complete search history.

(56) **References Cited**

**U.S. PATENT DOCUMENTS**

D53,558 S	7/1919	Bloch
D149,196 S	4/1948	Little et al.
D227,762 S	7/1973	Arbon
D263,991 S	4/1982	Fleischmann et al.
D280,543 S	9/1985	Paul
D301,053 S	5/1989	Rodstein
D311,438 S	10/1990	Strignano
D312,681 S	12/1990	Kohler, Jr. et al.
D318,099 S	7/1991	Reid et al.
D319,685 S	9/1991	Kohler, Jr. et al.
D321,039 S	10/1991	Robbins
D321,752 S	11/1991	Paul
D326,504 S	5/1992	Robbins

D340,507 S	10/1993	McKeone
D349,326 S	8/1994	Bollenbacher
D350,183 S	8/1994	Joerger
D352,095 S *	11/1994	Bollenbacher ..... D23/255
D353,653 S	12/1994	McKeone
D357,730 S	4/1995	Saperstein
D372,764 S	8/1996	Dubin

(Continued)

*Primary Examiner*—Louis S. Zarfaz

*Assistant Examiner*—Gregory Andoll

(74) *Attorney, Agent, or Firm*—Calfee, Halter & Griswold  
LLP

(57) **CLAIM**

The ornamental design for a spout portion, as shown and  
described.

**DESCRIPTION**

FIG. 1 is a perspective view of a spout portion of the new  
design;

FIG. 2 is a left side elevational view of the spout portion of  
FIG. 1;

FIG. 3 is a front elevational view of the spout portion of FIG.  
1;

FIG. 4 is a top plan view of the spout portion of FIG. 1;

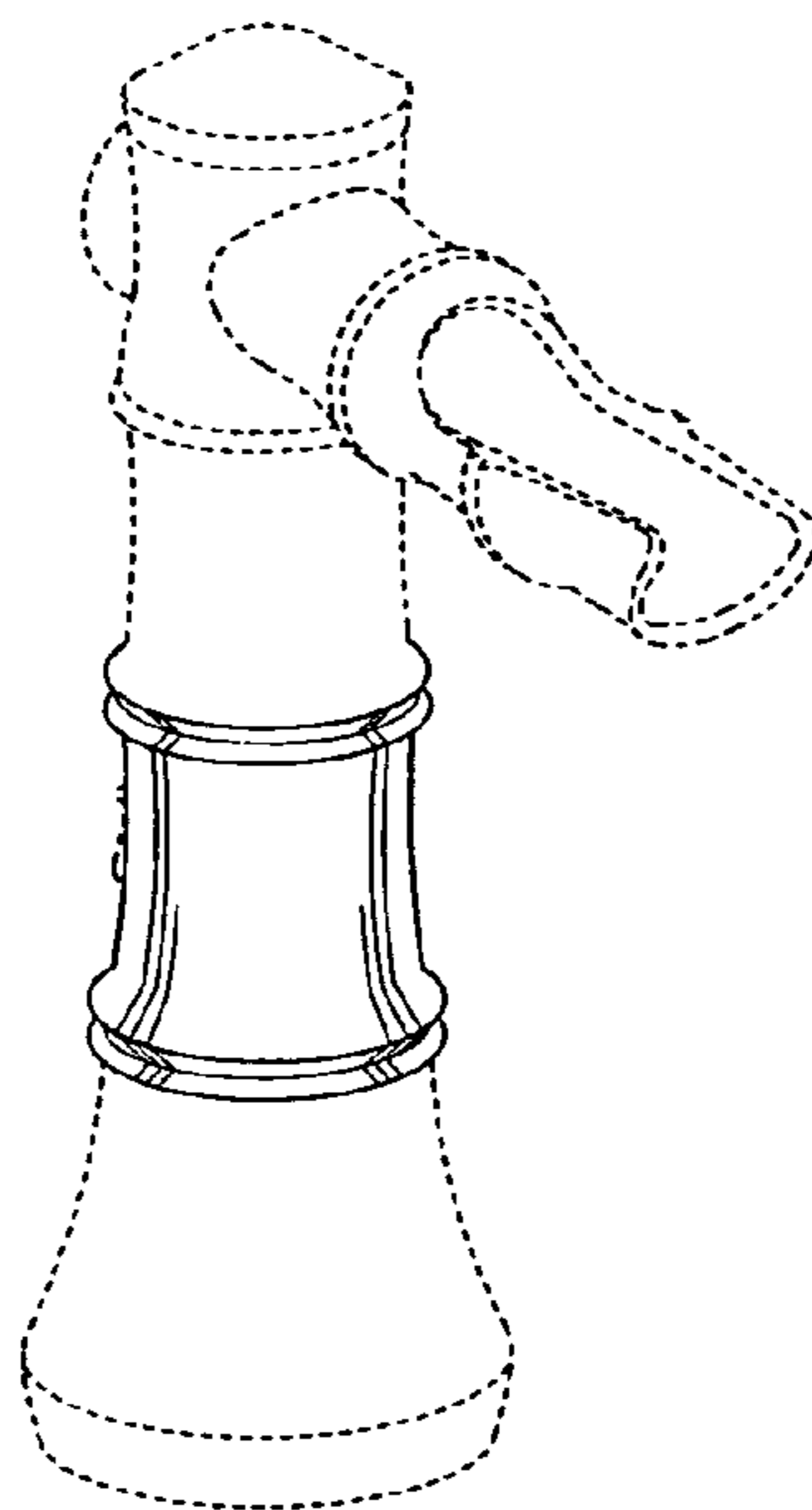
FIG. 5 is a right side elevational view of the spout portion  
of FIG. 1;

FIG. 6 is a rear elevational view of the spout portion of FIG.  
1; and,

FIG. 7 is a bottom plan view of the spout portion of FIG. 1.

The portions of the Figures shown in broken lines are not  
part of the claimed design and are for illustration only.

**1 Claim, 2 Drawing Sheets**



# US D545,399 S

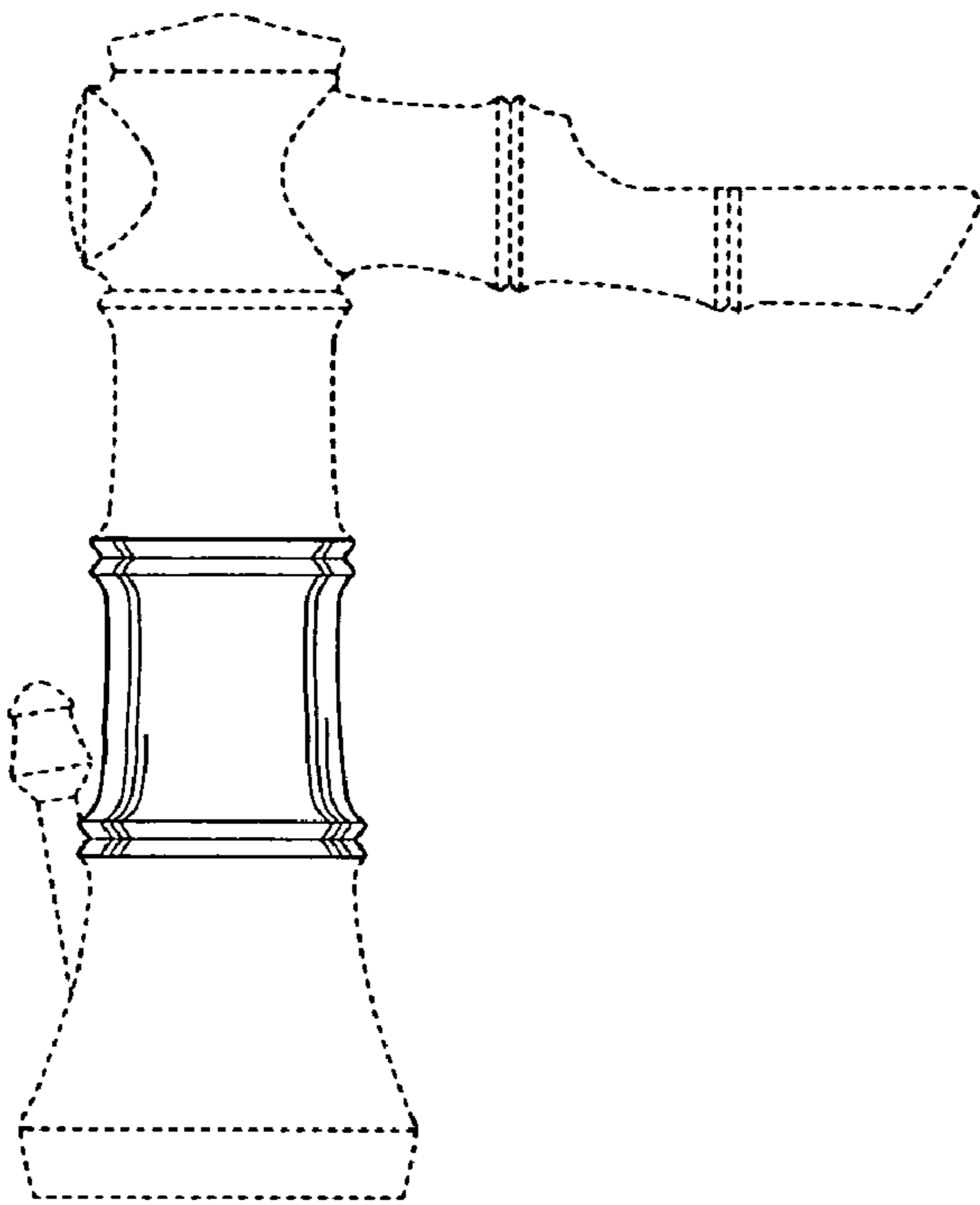
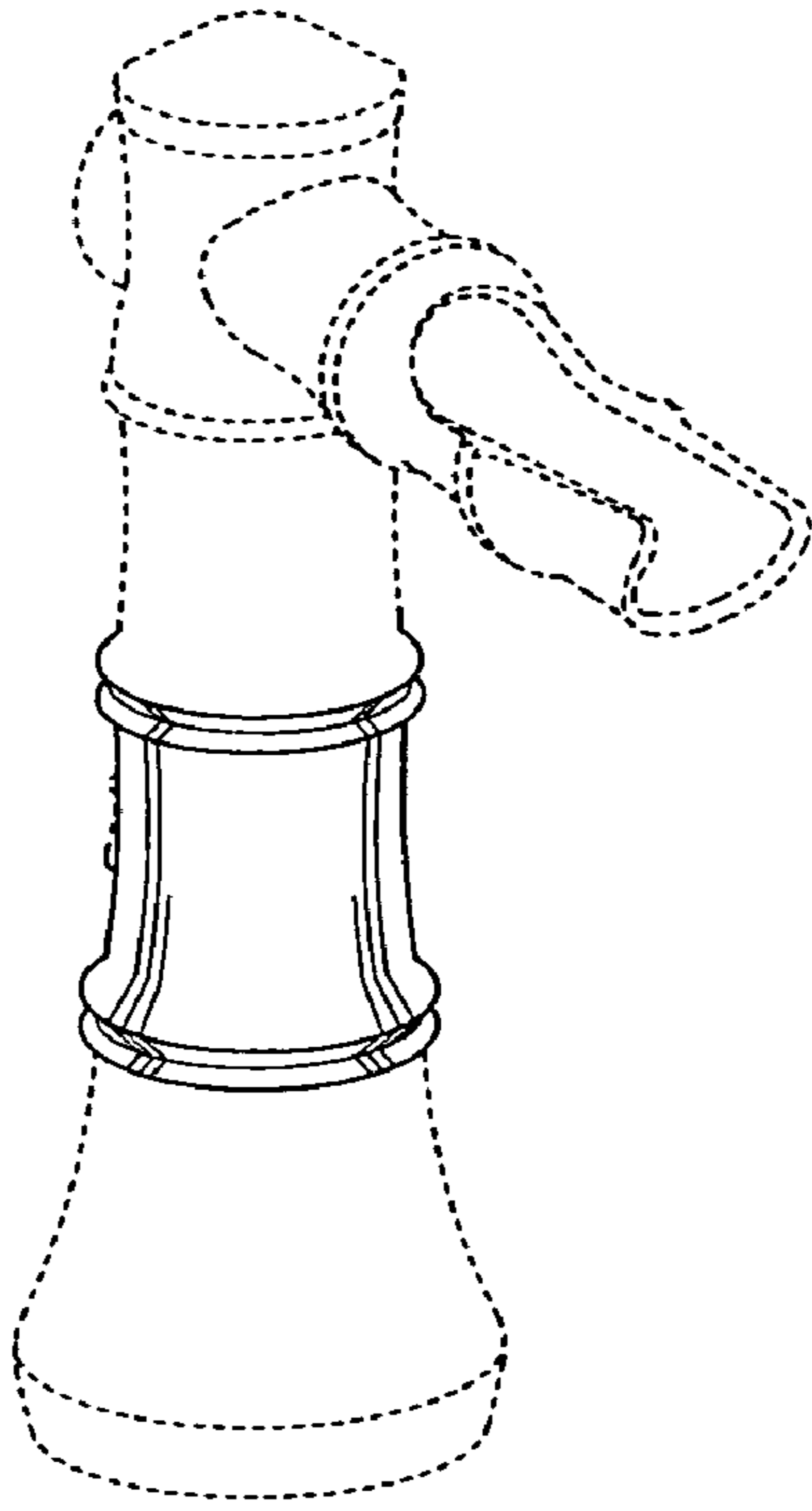
Page 2

## U.S. PATENT DOCUMENTS

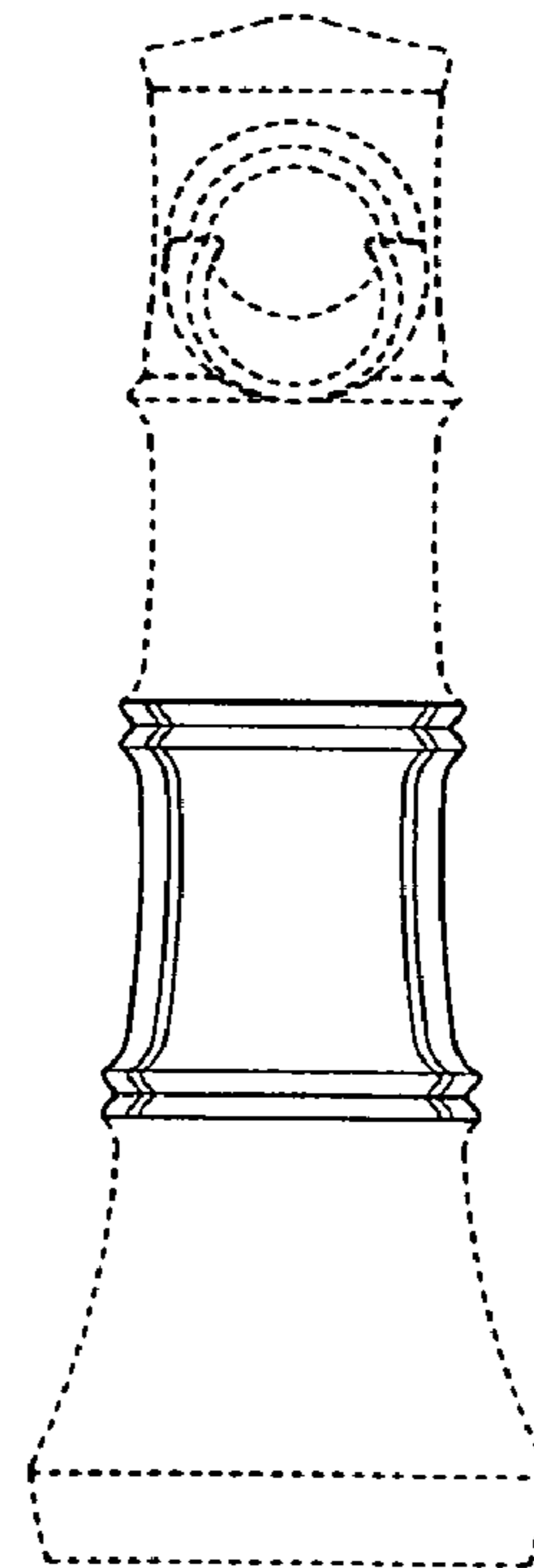
D375,149 S	10/1996	Robbins		D472,607 S	4/2003	Warshawsky et al.	
D380,809 S	* 7/1997	Warshawsky .....	D23/238	D474,834 S	5/2003	Czerwinski, Jr. et al.	
D414,546 S	9/1999	Cosolito et al.		D478,149 S	8/2003	Friedrich	
D417,490 S	12/1999	Formgren		D478,153 S	8/2003	Friedrich	
D420,430 S	2/2000	Lobermeier		D478,371 S	8/2003	Ouyoung	
D441,060 S	4/2001	Lefroy-Brooks		D479,584 S	9/2003	Shieh	
D444,860 S	7/2001	Slothower		D479,739 S	9/2003	Citterio	
D461,532 S	8/2002	Ouyoung		D487,132 S	2/2004	Zhao	
D463,533 S	9/2002	Ko		D487,499 S	3/2004	Zhao	
D465,010 S	10/2002	Lord		D493,867 S	* 8/2004	Shahar .....	D23/238
D465,270 S	11/2002	Gottwald		D511,370 S	* 11/2005	Kennard .....	D23/238
D465,557 S	11/2002	Antoniello et al.		D513,309 S	12/2005	Kulig	
D465,559 S	11/2002	Chen		D515,181 S	2/2006	Lun et al.	
D468,399 S	1/2003	Bouilloux et al.		D520,117 S	5/2006	Fritz	
D469,158 S	1/2003	Bouilloux et al.		D520,122 S	5/2006	Kennard	
D469,854 S	2/2003	Ouyoung		D521,122 S	5/2006	Fritz	
D471,256 S	3/2003	Friedrich		D521,126 S	* 5/2006	Kemp .....	D23/257

\* cited by examiner

**FIG. 1**

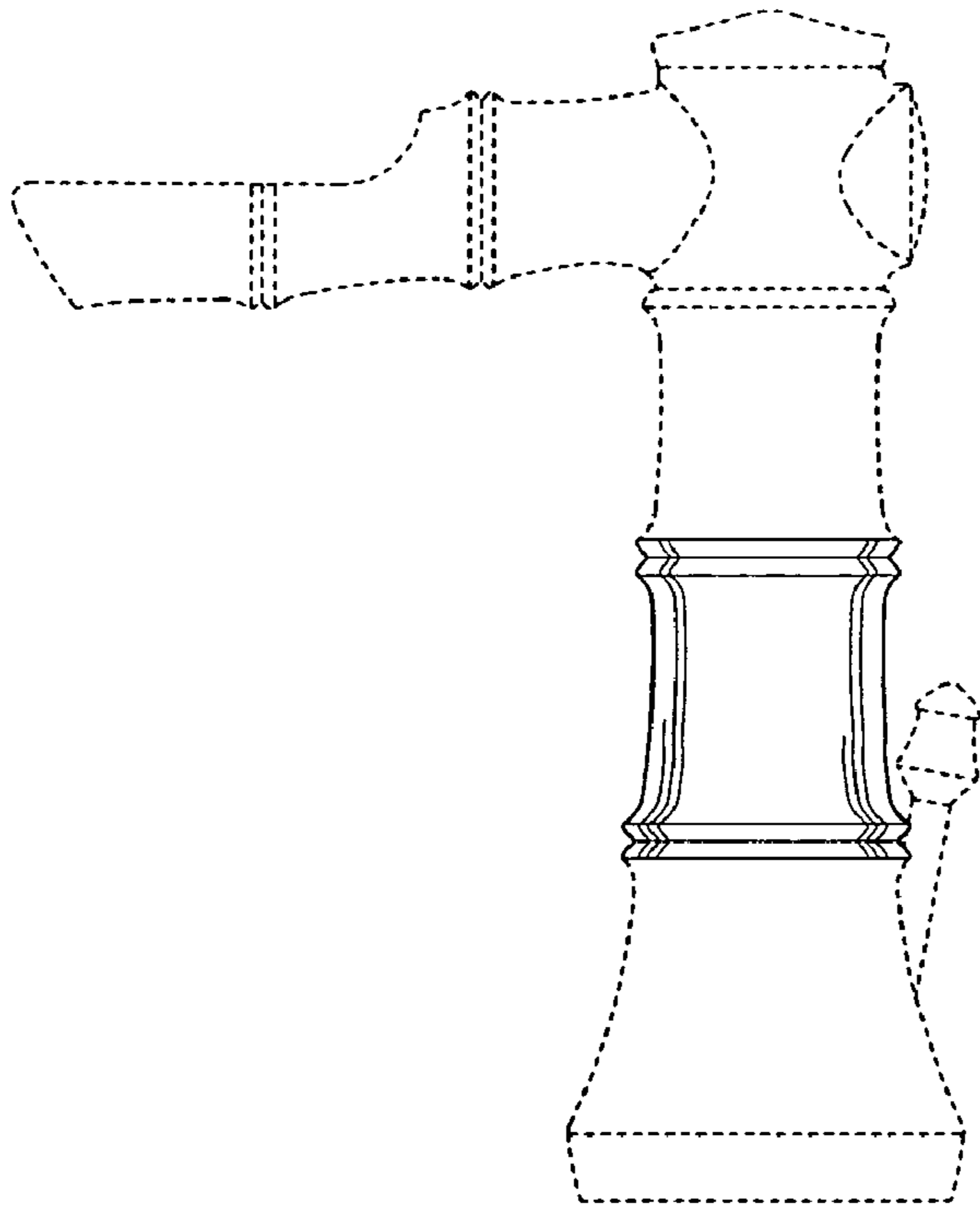
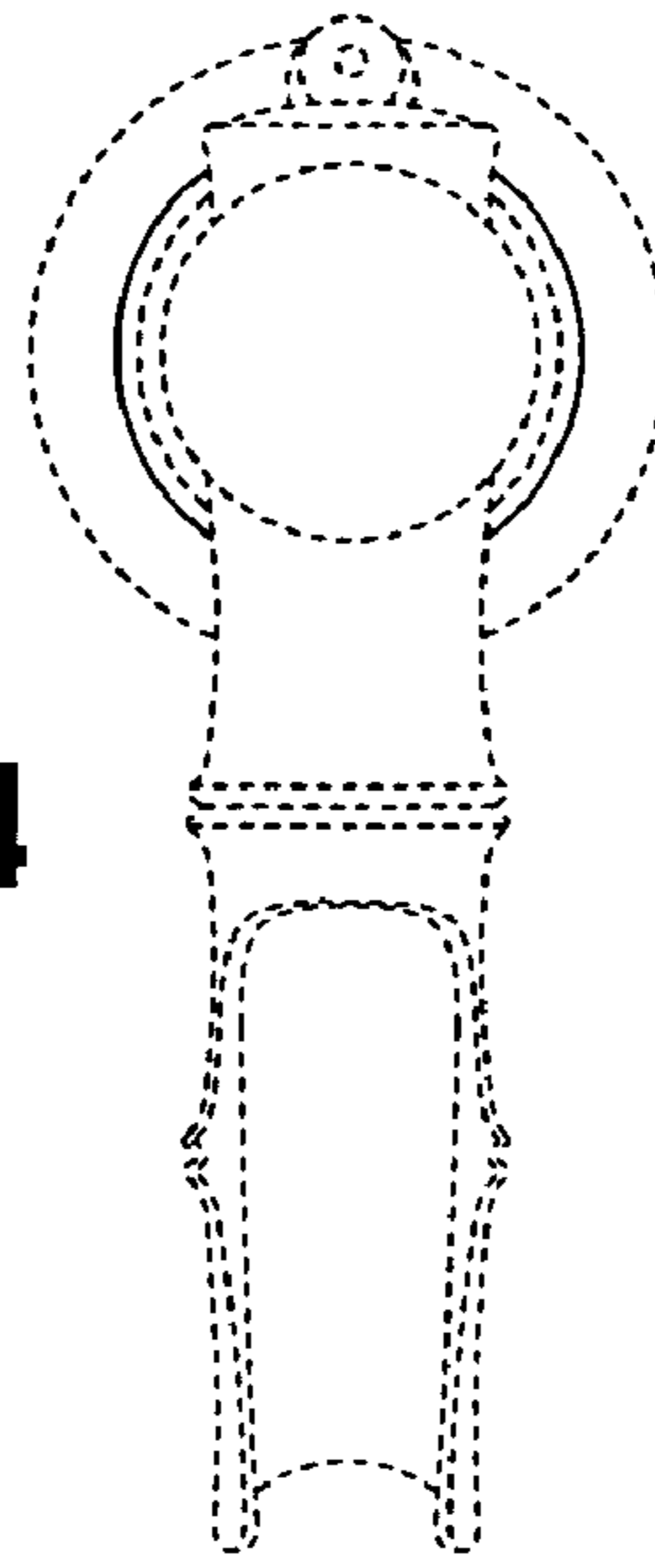


**FIG. 2**

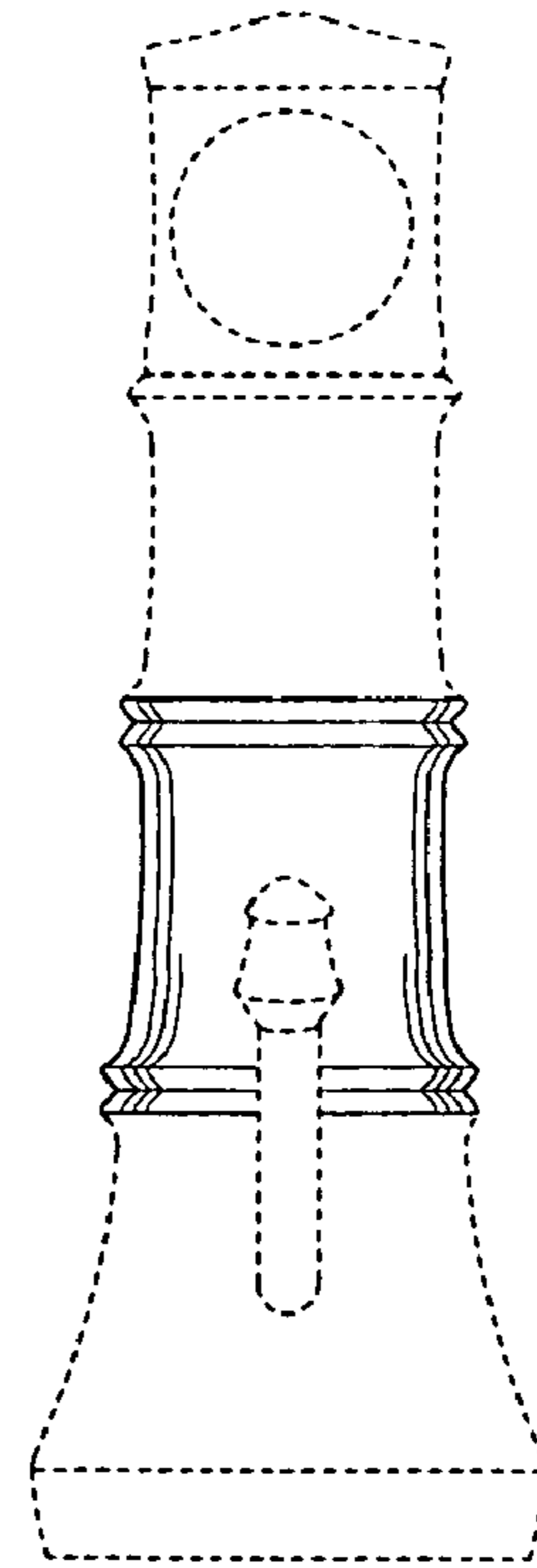


**FIG. 3**

**FIG. 4**



**FIG. 5**



**FIG. 6**

**FIG. 7**

