



US00D545397S

(12) **United States Design Patent**
Holbrook

(10) **Patent No.:** **US D545,397 S**

(45) **Date of Patent:** **** Jun. 26, 2007**

(54) **TRANSPARENT WATER SPRAY DISPENSER**

D530,390 S * 10/2006 Tse D23/213

(76) **Inventor:** **Alan E. Holbrook**, 9407 Spring
Branch, Dallas, TX (US) 75238

* cited by examiner

Primary Examiner—Robin Webster

(**) **Term:** **14 Years**

(57) **CLAIM**

(21) **Appl. No.:** **29/244,055**

The ornamental design for a transparent water spray dispenser, as shown and described.

(22) **Filed:** **Dec. 5, 2005**

DESCRIPTION

(51) **LOC (8) Cl.** **23-01**

FIG. 1 is a perspective view of a transparent water spray dispenser, showing my new design, which allows the viewing of liquid flow.

(52) **U.S. Cl.** **D23/213**

FIG. 2 is a frontal plan view thereof.

(58) **Field of Classification Search** D23/213,

D23/229, 230; 239/282-3

FIG. 3 is a right side elevational view thereof;

See application file for complete search history.

FIG. 4 is a rear elevational view thereof;

(56) **References Cited**

U.S. PATENT DOCUMENTS

D118,419 S * 1/1940 Rockwood D23/213

D235,445 S * 6/1975 Mackay et al. D23/229

D267,581 S * 1/1983 Mackay et al. D23/229

FIG. 5 is a left side elevational view thereof;

FIG. 6 is a top plan view thereof; and,

FIG. 7 is a bottom plan view thereof.

1 Claim, 1 Drawing Sheet

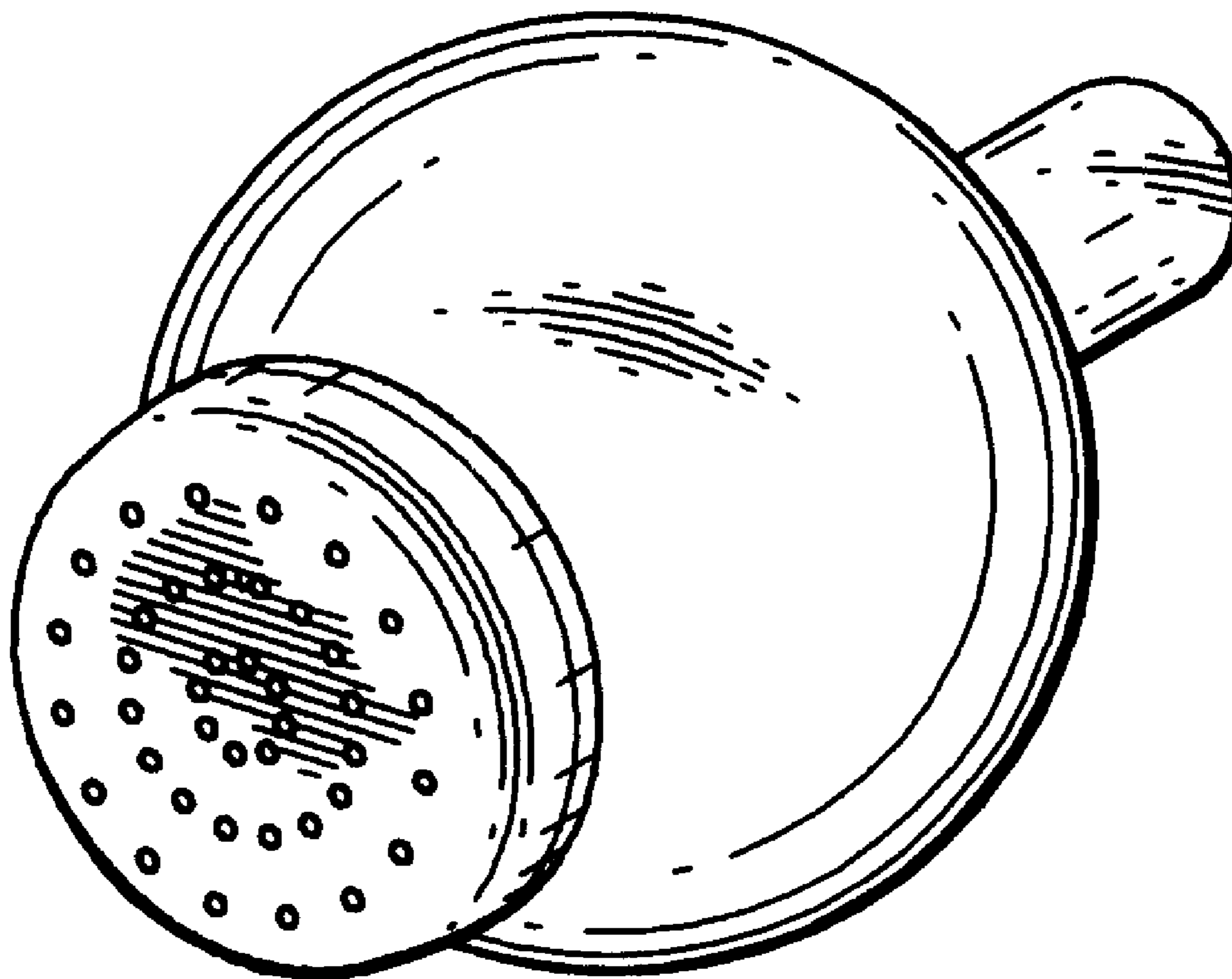


FIG. 1

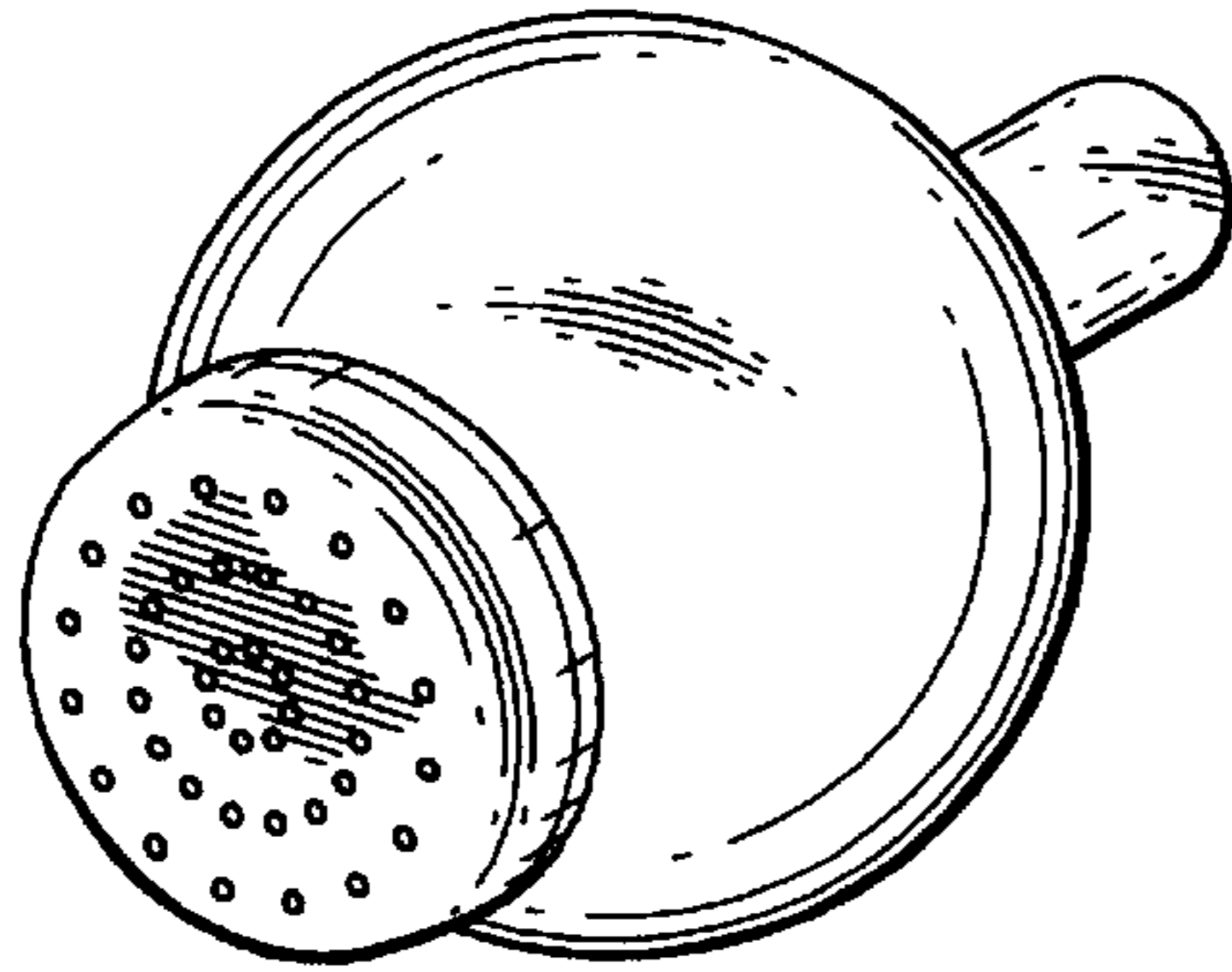


FIG. 2

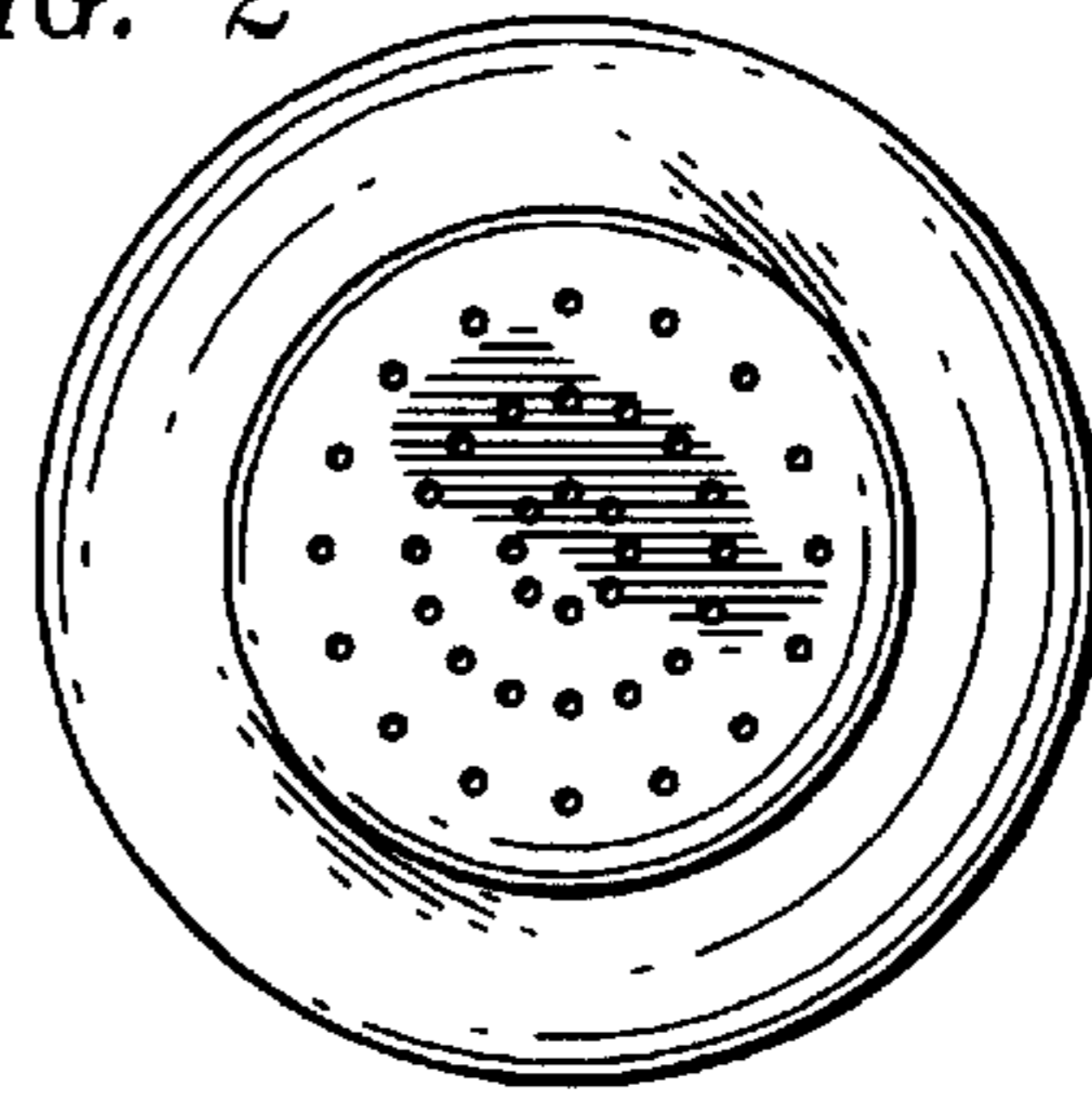


FIG. 3

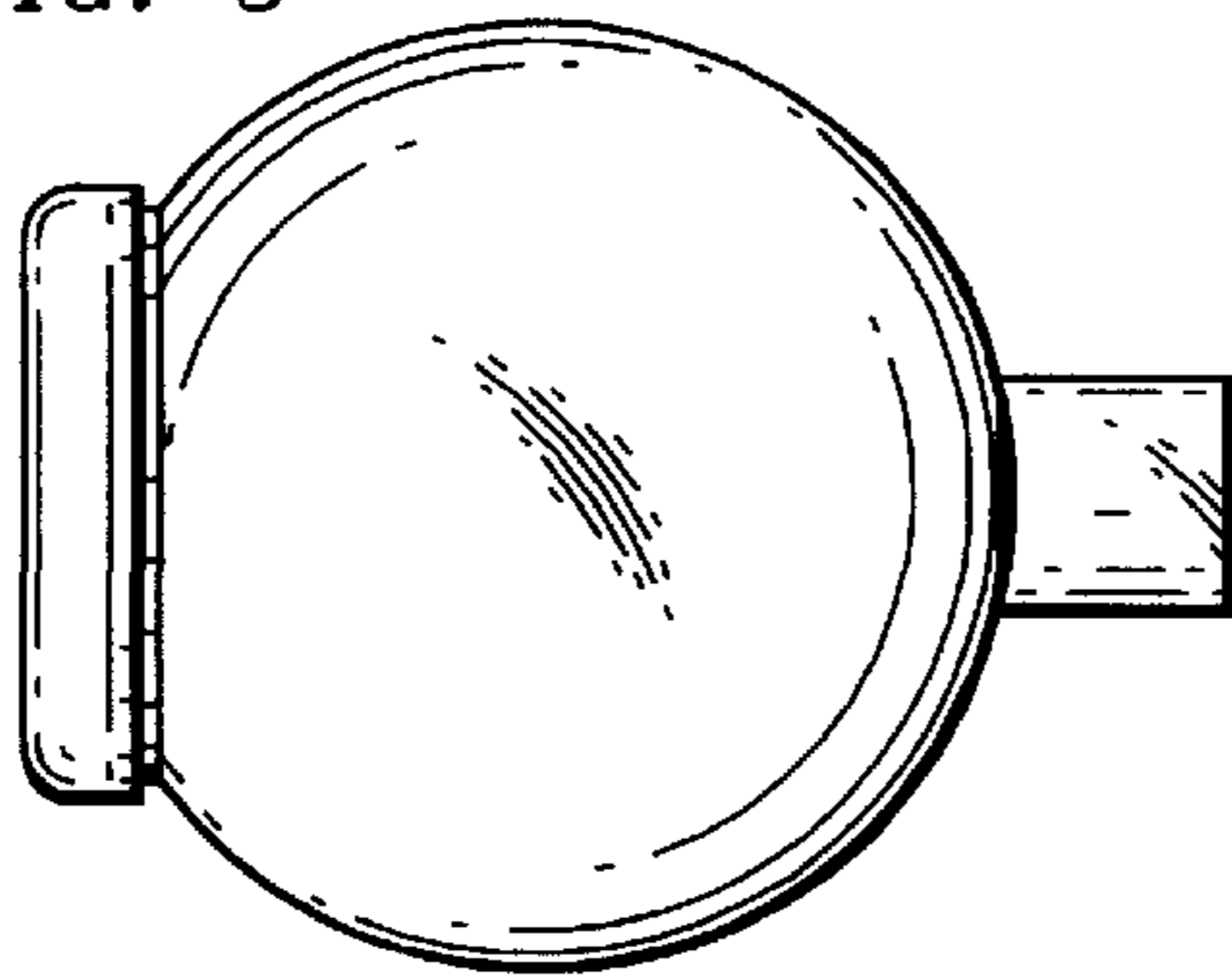


FIG. 4

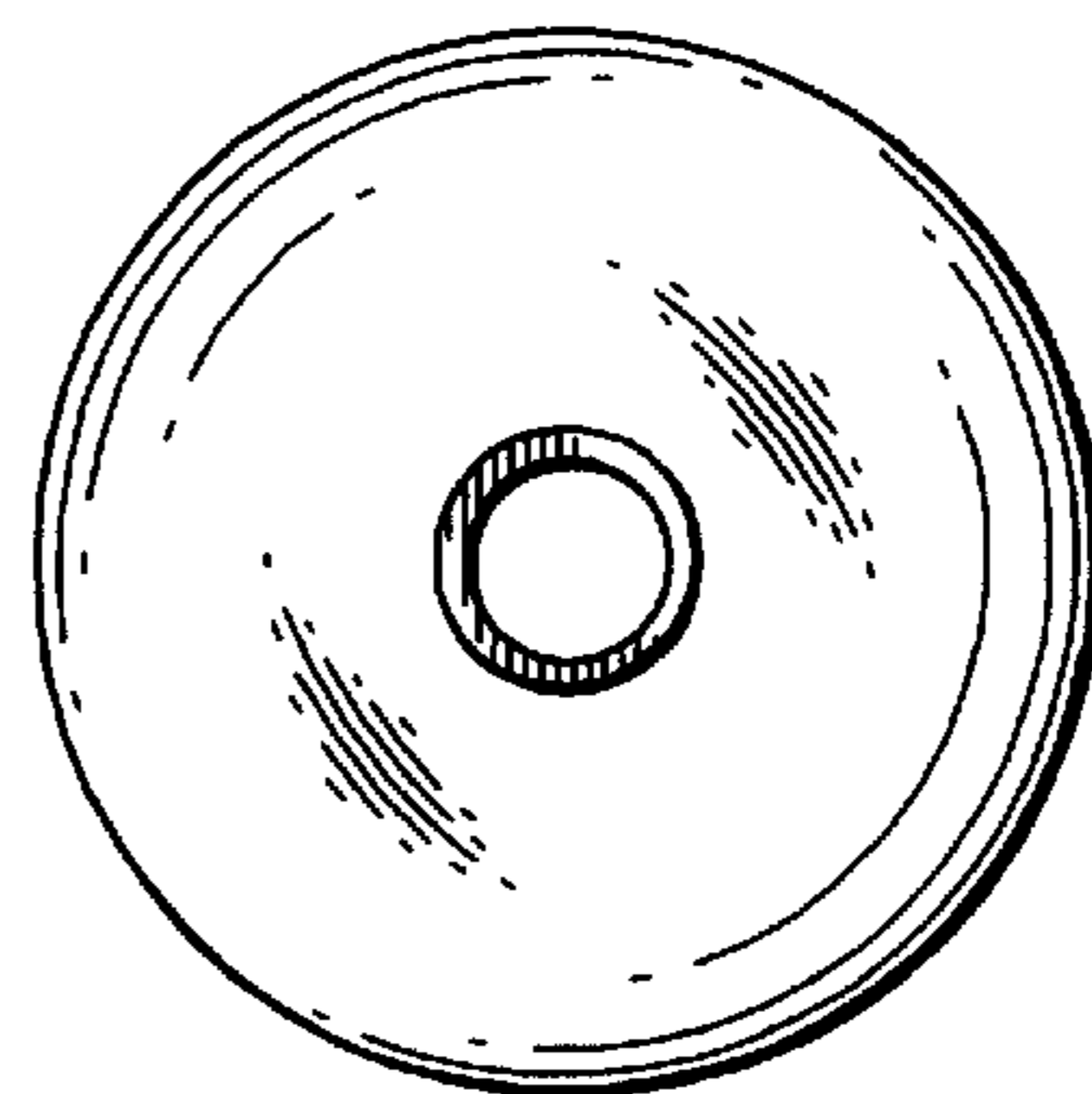


FIG. 5

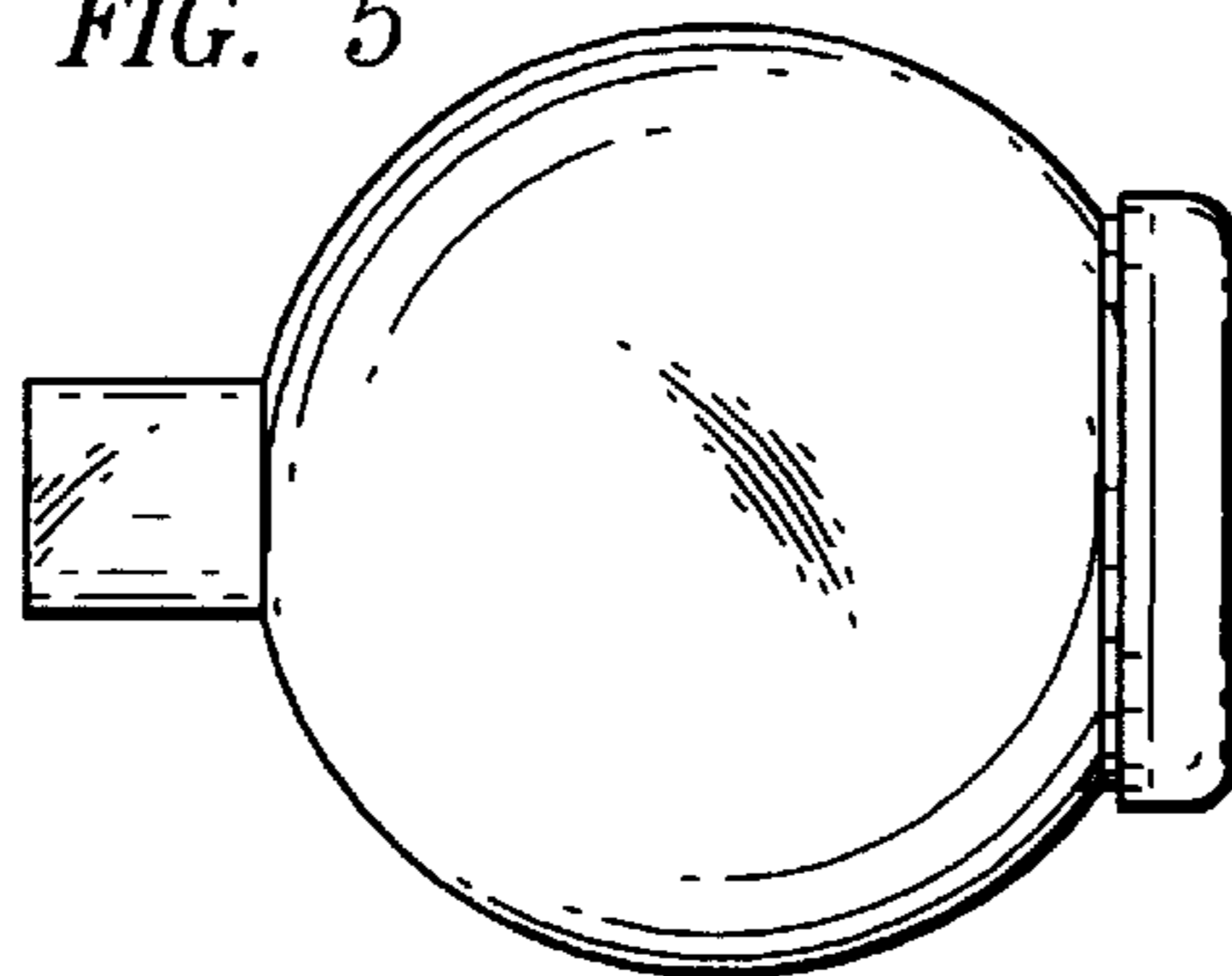


FIG. 6

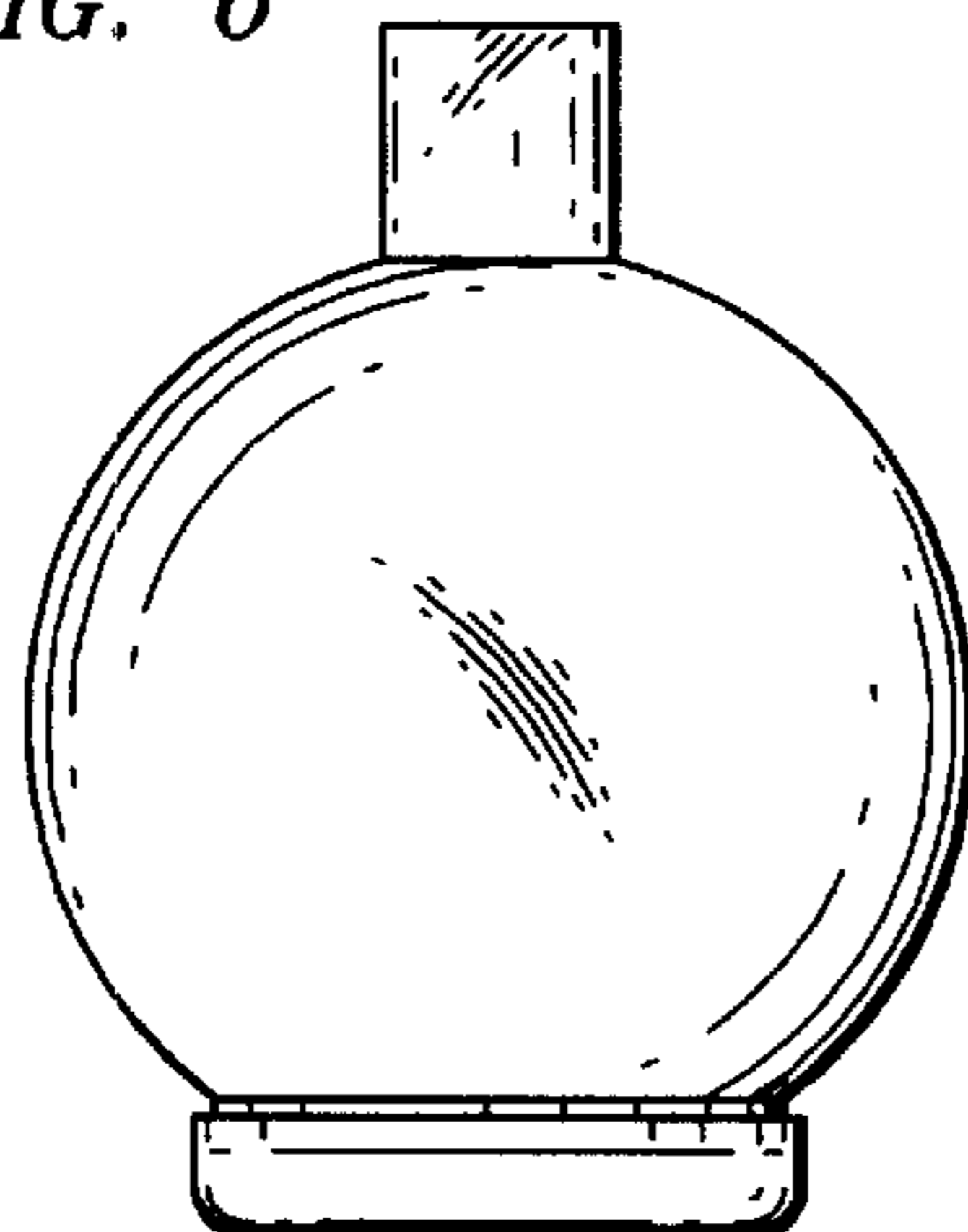


FIG. 7

