

US00D545396S

(12) **United States Design Patent** (10) **Patent No.:** **US D545,396 S**
Casey et al. (45) **Date of Patent:** **** Jun. 26, 2007**

(54) **FILTER ELEMENT HAVING ELLIPTICAL SHAPE**

(75) Inventors: **Michael James Casey**, Eden Prairie, MN (US); **Brian Read**, Eagan, MN (US)

(73) Assignee: **Donaldson Company, Inc.**, Minneapolis, MN (US)

(**) Term: **14 Years**

(21) Appl. No.: **29/217,462**

(22) Filed: **Nov. 16, 2004**

(51) **LOC (8) Cl.** **23-01**

(52) **U.S. Cl.** **D23/209; D23/365**

(58) **Field of Classification Search** D23/207, D23/209, 365; 210/493.1, 493.2, 493.5, 497.01
See application file for complete search history.

(56) **References Cited**

U.S. PATENT DOCUMENTS

2,072,906 A	3/1937	Rosenberger
2,771,153 A	11/1956	Hening
2,952,332 A	9/1960	Metro
3,131,044 A	4/1964	Springer
3,327,458 A	6/1967	Auckland
3,421,295 A	1/1969	Swift et al.
3,475,884 A	11/1969	Kulzer
3,524,304 A	8/1970	Wittemeier et al.
3,830,042 A	8/1974	MacDonnell
3,891,418 A	6/1975	Burger et al.
4,072,484 A	2/1978	Carre
4,187,091 A	2/1980	Durre et al.
4,343,632 A	8/1982	Margraf
4,345,924 A	8/1982	Margraf
4,395,269 A	7/1983	Schuler
4,415,343 A	11/1983	Margraf
4,496,377 A	1/1985	Margraf
4,504,293 A	3/1985	Gillingham et al.
D283,621 S	4/1986	Gauer et al.
4,661,131 A	4/1987	Howeth
4,746,339 A	5/1988	Millard
4,968,424 A	11/1990	Plaisier

5,062,867 A	11/1991	Klimczak
5,074,896 A	12/1991	Baert et al.
5,173,098 A	12/1992	Pipkorn
5,238,474 A	8/1993	Kahlbaugh et al.
D366,516 S	* 1/1996	Stewart D23/209

(Continued)

FOREIGN PATENT DOCUMENTS

DE	26 25 578 A1	12/1977
DE	27 44 037 A1	4/1979
EP	0 923 975 B1	5/2003
GB	2 195 558 A	4/1988
JP	1196386	2/2004
JP	028630	6/2005
WO	98/43723	10/1998
WO	02/02206	1/2002

Primary Examiner—Robin Webster

(74) *Attorney, Agent, or Firm*—Merchant & Gould P.C.

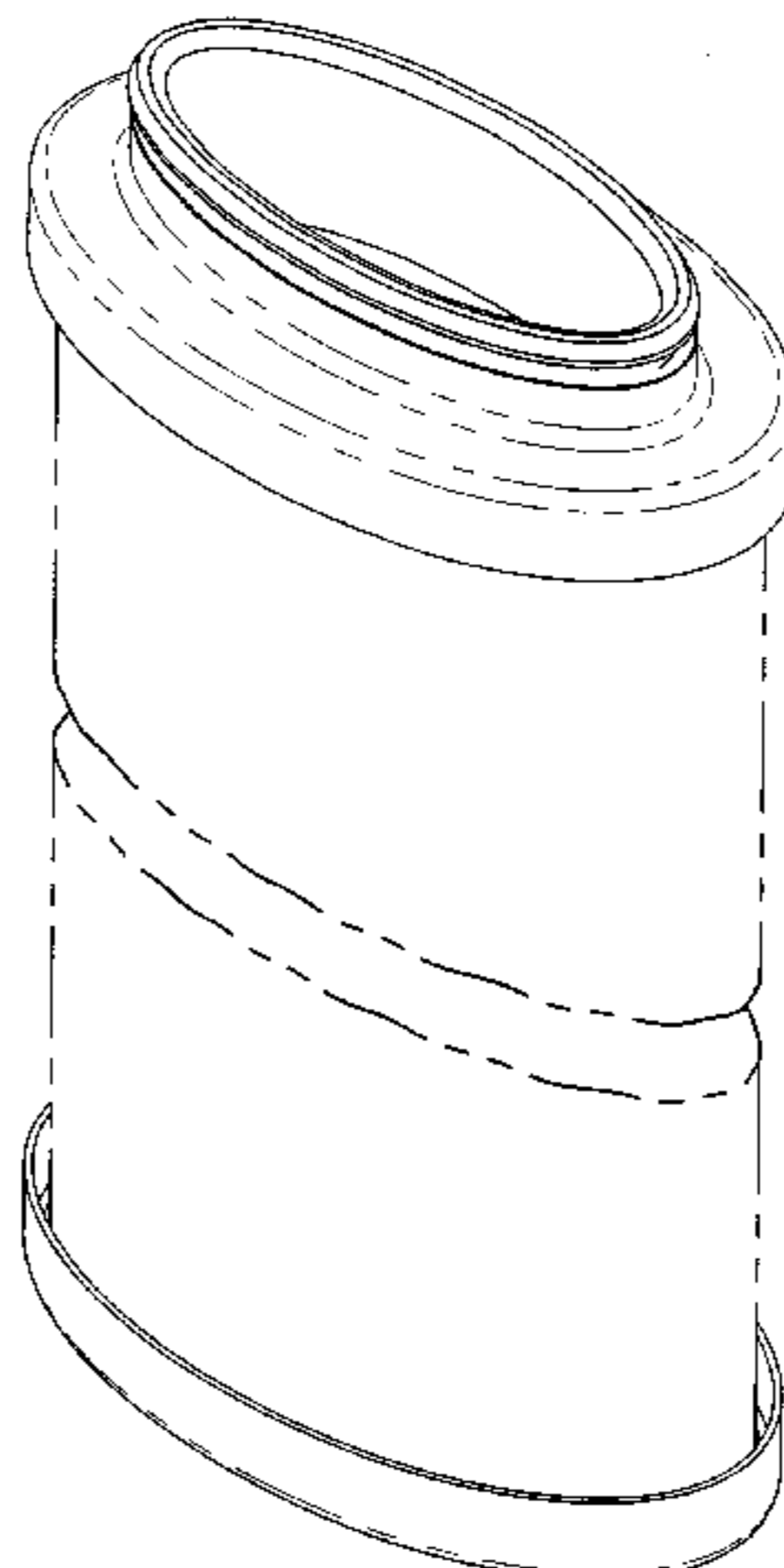
(57) **CLAIM**

The ornamental design for filter element having elliptical shape, as shown and described.

DESCRIPTION

FIG. 1 is a perspective view of a filter element according to our design, the length of the filter element not being claimed, and the portions shown in broken lines forming no part of the design sought to be patented;
FIG. 2 is a front side elevational view of the filter element depicted in FIG. 1, the rear side elevational view being a mirror image thereof, the length of the element not being claimed, and the portions shown in broken lines forming no part of the design sought to be patented;
FIG. 3 is a right side elevational view of the filter element depicted in FIG. 1, the left side elevational view being a mirror image thereof, the length of the element not being claimed, and the portions shown in broken lines forming no part of the design sought to be patented;
FIG. 4 is a top plan view of the filter element depicted in FIG. 1; and,
FIG. 5 is a bottom plan view of the filter element depicted in FIG. 1.

1 Claim, 4 Drawing Sheets



US D545,396 S

Page 2

U.S. PATENT DOCUMENTS

5,562,746 A	10/1996	Raether		6,485,544 B1	11/2002	Ziske	
5,730,766 A	3/1998	Clements		6,488,746 B1	12/2002	Kosmider et al.	
D414,544 S	* 9/1999	Ward et al. D23/209	D471,623 S	3/2003	Gieseke et al.	
D416,308 S	* 11/1999	Ward et al. D23/209	6,572,667 B1	6/2003	Greif et al.	
D417,268 S	11/1999	Gillingham		D482,767 S	11/2003	Dudley	
D421,649 S	3/2000	Cappuyns		D492,386 S	* 6/2004	Kamata et al. D23/209
D438,214 S	2/2001	Gieseke et al.		D499,177 S	11/2004	Kosmider et al.	
6,387,162 B1	5/2002	Kosmider et al.					

* cited by examiner

FIG. 1

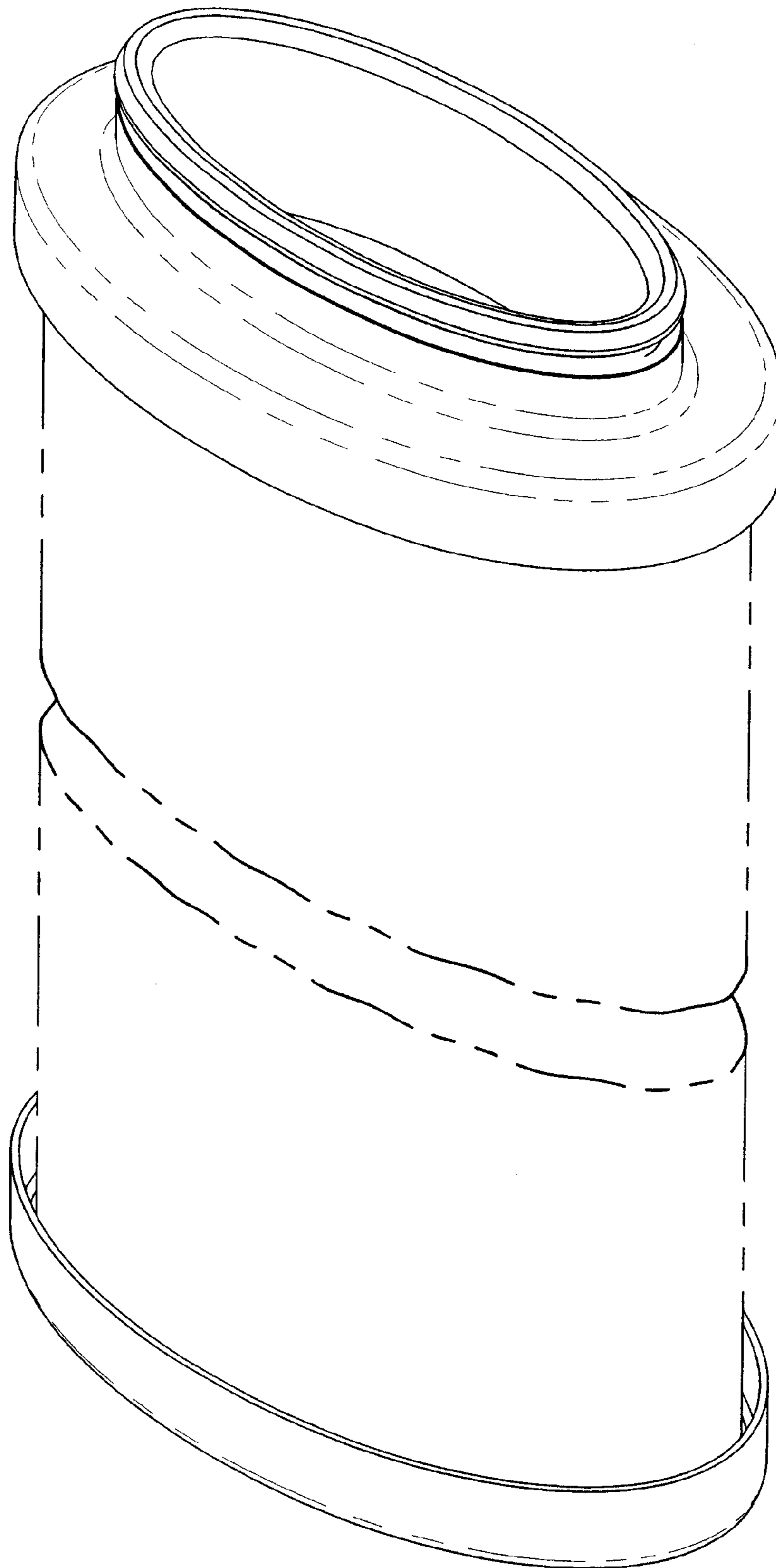


FIG. 2

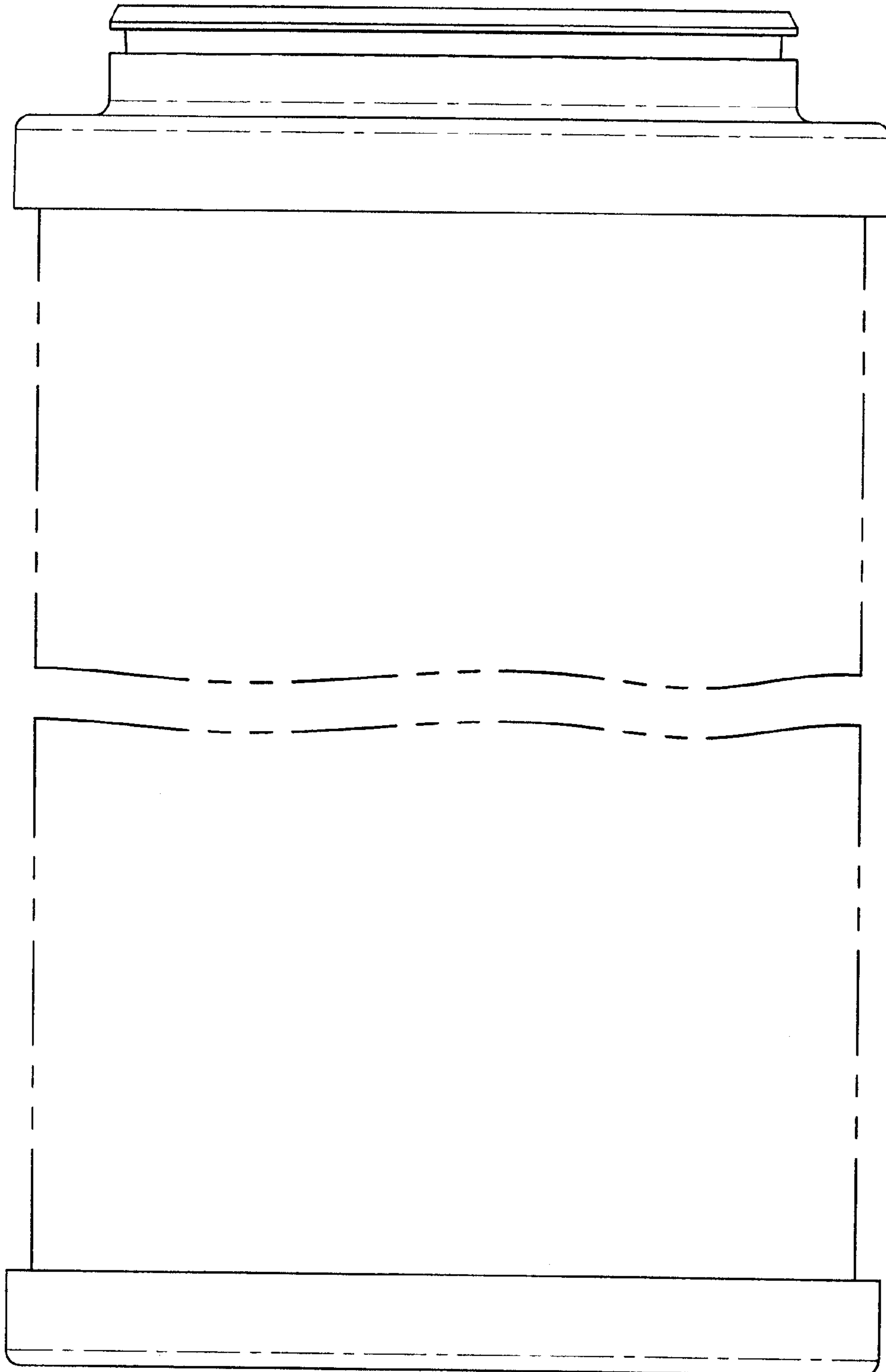


FIG. 3

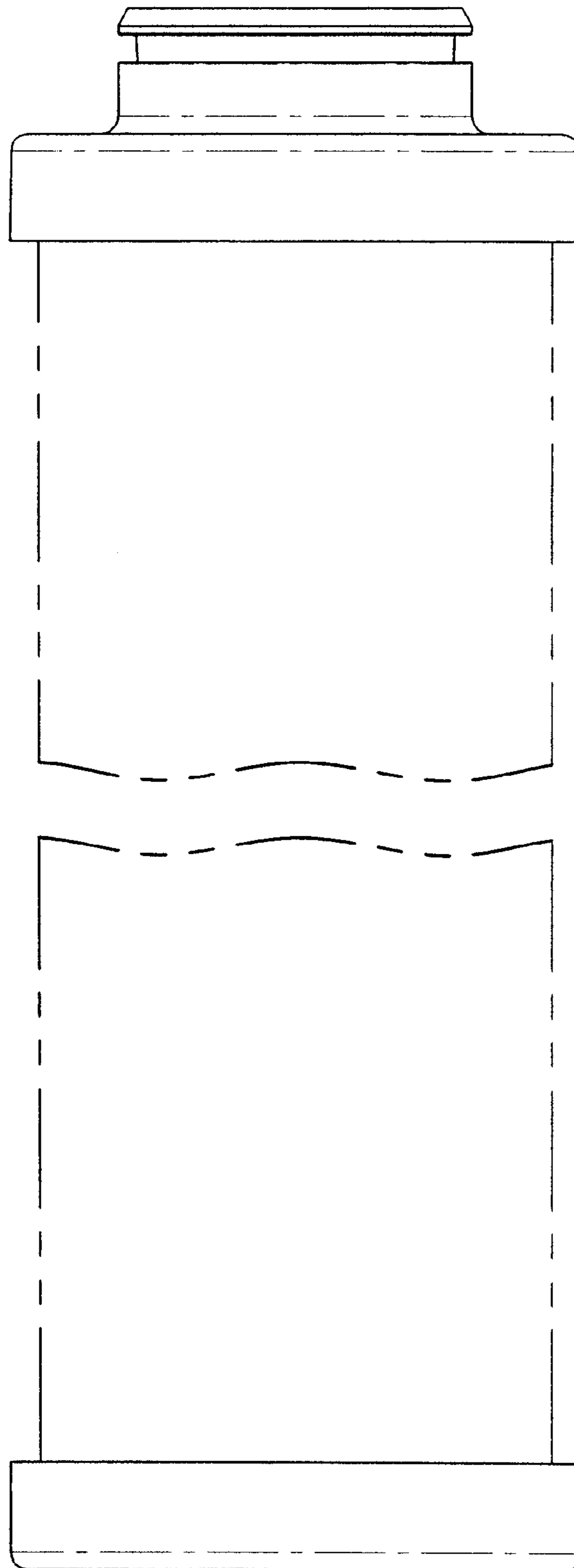


FIG. 4

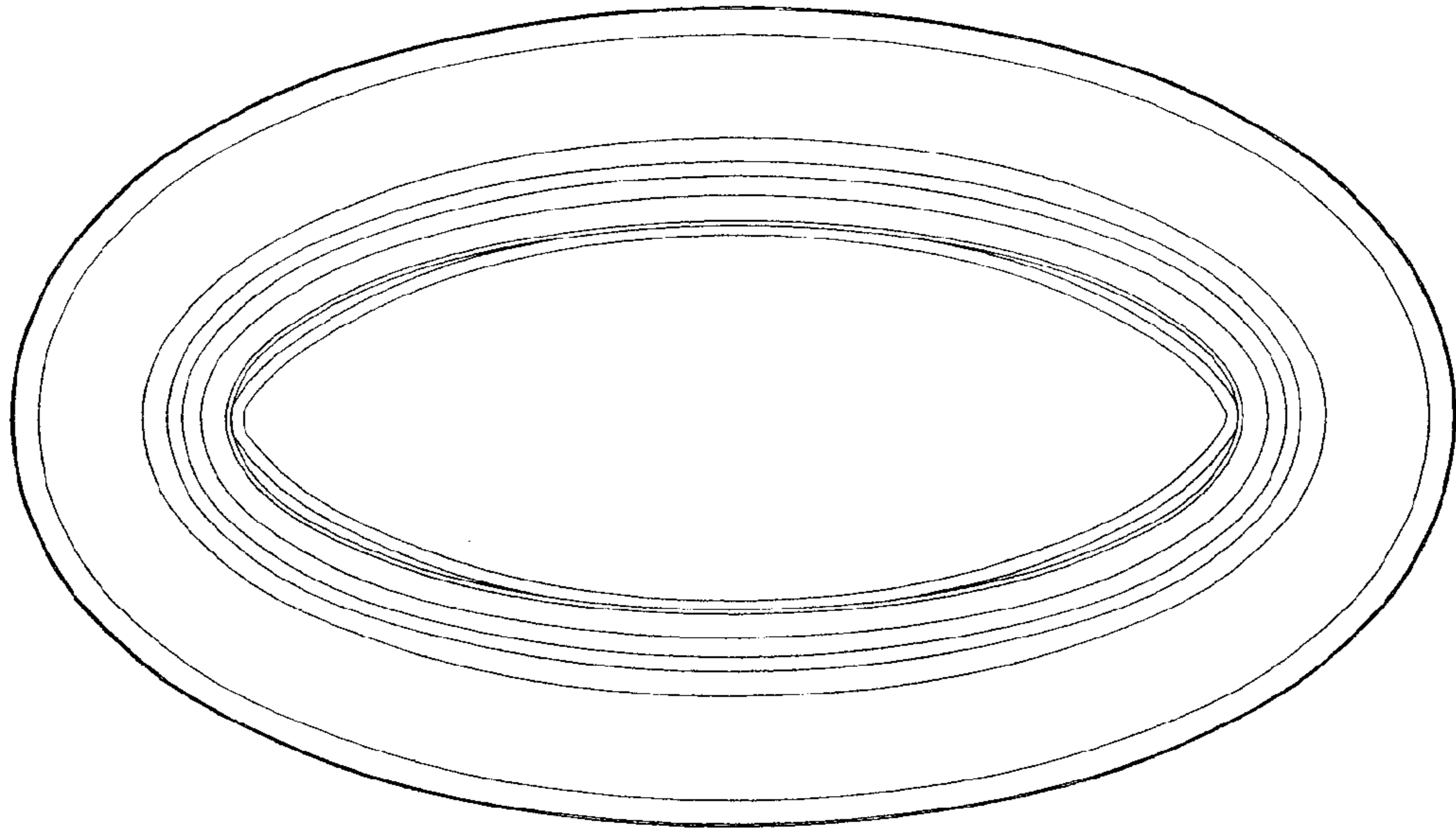


FIG. 5

