

US00D545394S

(12) **United States Design Patent**
Duplessis et al.

(10) **Patent No.:** **US D545,394 S**

(45) **Date of Patent:** **** Jun. 26, 2007**

(54) **WATER TREATMENT ASSEMBLY**

7,077,965 B2 * 7/2006 Williamson et al. 210/748

(75) Inventors: **Samuel V. Duplessis**, Louisville, KY (US); **Kyran Hoff**, Louisville, KY (US); **Jonathan D. Nelson**, Louisville, KY (US); **Daniel Ryan Capelle**, Corydon, IN (US); **Marc Hottenroth**, Louisville, KY (US); **Norman J. Boulard**, Louisville, KY (US)

* cited by examiner

Primary Examiner—Robin Webster
(74) *Attorney, Agent, or Firm*—George L. Rideout, Esq.; Armstrong Teasdale LLP

(73) Assignee: **General Electric Company**, Schenectady, NY (US)

(57) **CLAIM**

We claim the ornamental design for a water treatment assembly, as shown and described.

(**) Term: **14 Years**

DESCRIPTION

(21) Appl. No.: **29/243,785**

FIG. 1 is a front perspective view of a water treatment assembly in accordance with an exemplary embodiment with access doors in a closed position.

(22) Filed: **Nov. 30, 2005**

FIG. 2 is a side view of the water treatment assembly shown in FIG. 1.

(51) **LOC (8) Cl.** **23-01**

(52) **U.S. Cl.** **D23/207**

(58) **Field of Classification Search** D23/207–209; 210/85, 241, 340

FIG. 3 is a top view of the water treatment assembly shown in FIG. 1.

See application file for complete search history.

FIG. 4 is a front view of the water treatment assembly shown in FIG. 1.

(56) **References Cited**

U.S. PATENT DOCUMENTS

4,836,921 A *	6/1989	Hahn et al.	210/202
5,484,529 A	1/1996	Malugade et al.	
5,597,601 A *	1/1997	Griffin	426/417
D388,500 S	12/1997	Burchard et al.	
5,699,832 A	12/1997	Burchard et al.	
5,707,518 A	1/1998	Coates et al.	
5,715,699 A	2/1998	Coates et al.	
5,744,033 A	4/1998	Bertrand et al.	
5,823,229 A	10/1998	Bertrand et al.	
5,891,334 A	4/1999	Gundrum et al.	
D520,595 S *	5/2006	Johnson et al.	D23/207
D521,593 S *	5/2006	Mitsis	D23/207

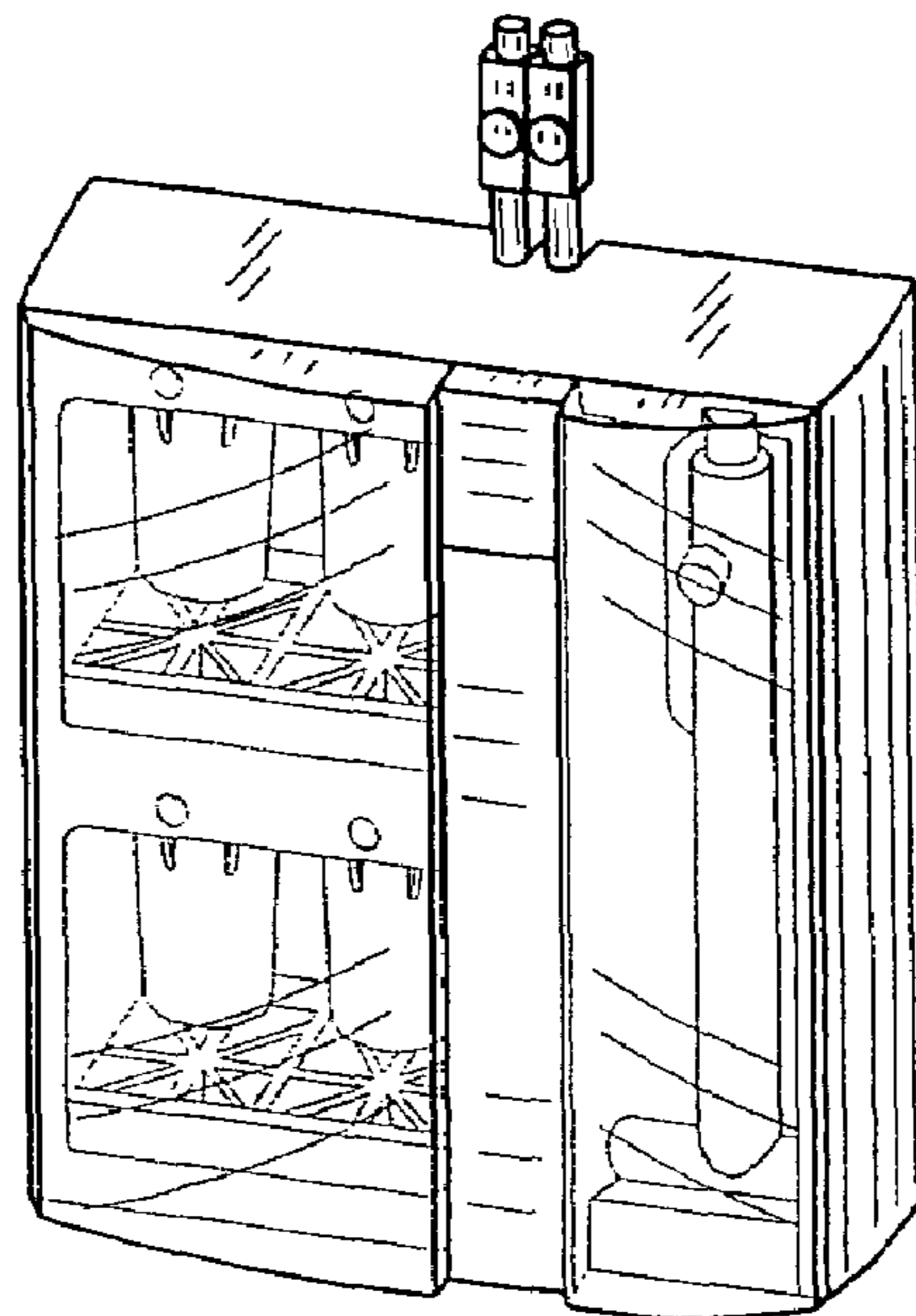
FIG. 5 is a front perspective view of the water treatment assembly shown in FIG. 1, with the access doors in an open position.

FIG. 6 is a front perspective view of the water treatment assembly shown in FIG. 5, with a water treatment component of the water treatment assembly in an extended position.

FIG. 7 is a top view of the water treatment assembly shown in FIG. 6; and,

FIG. 8 is a front view of the water treatment assembly shown in FIG. 6.

1 Claim, 4 Drawing Sheets



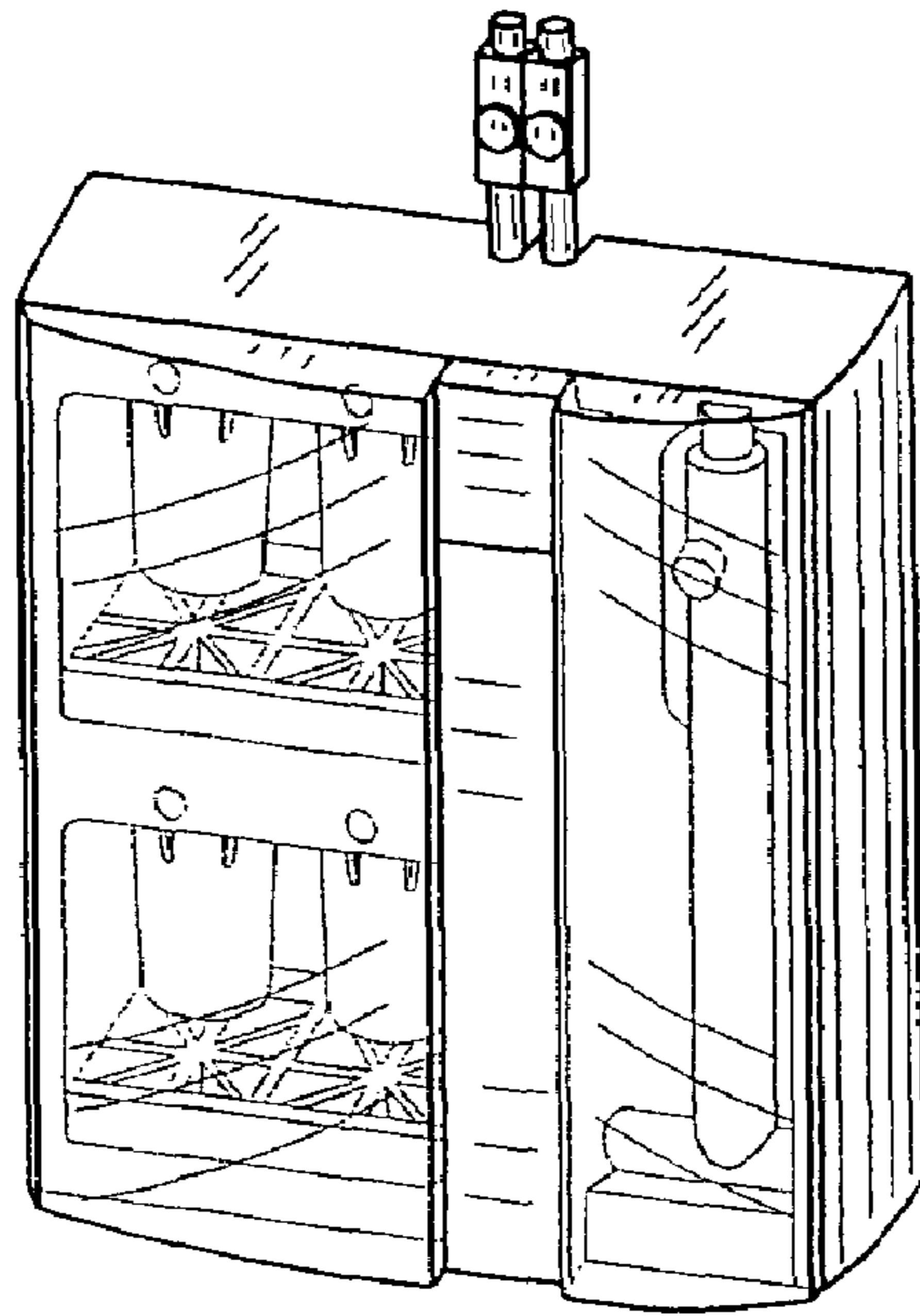


FIG. 1

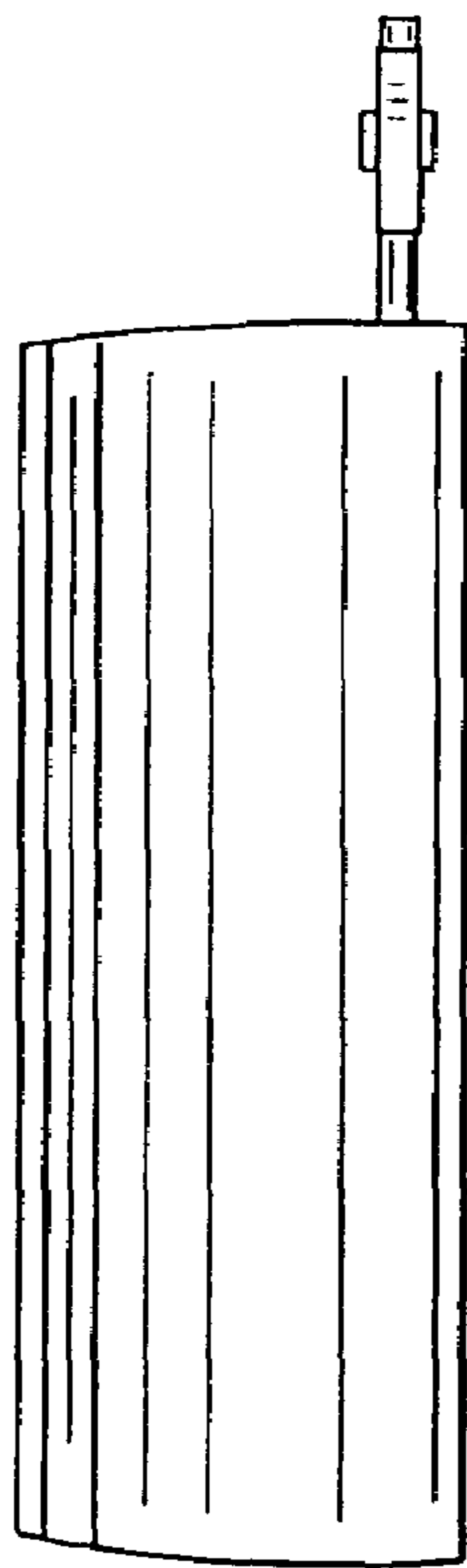


FIG. 2

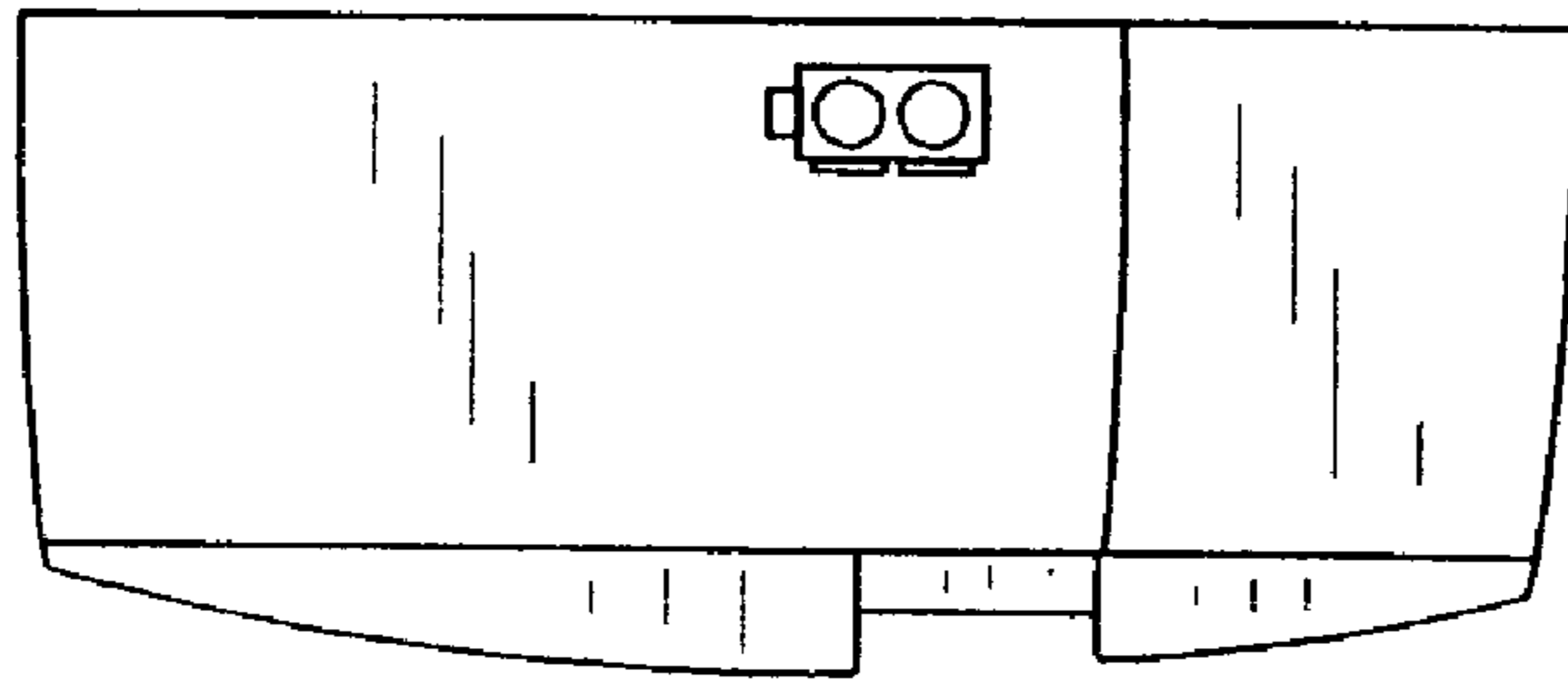


FIG. 3

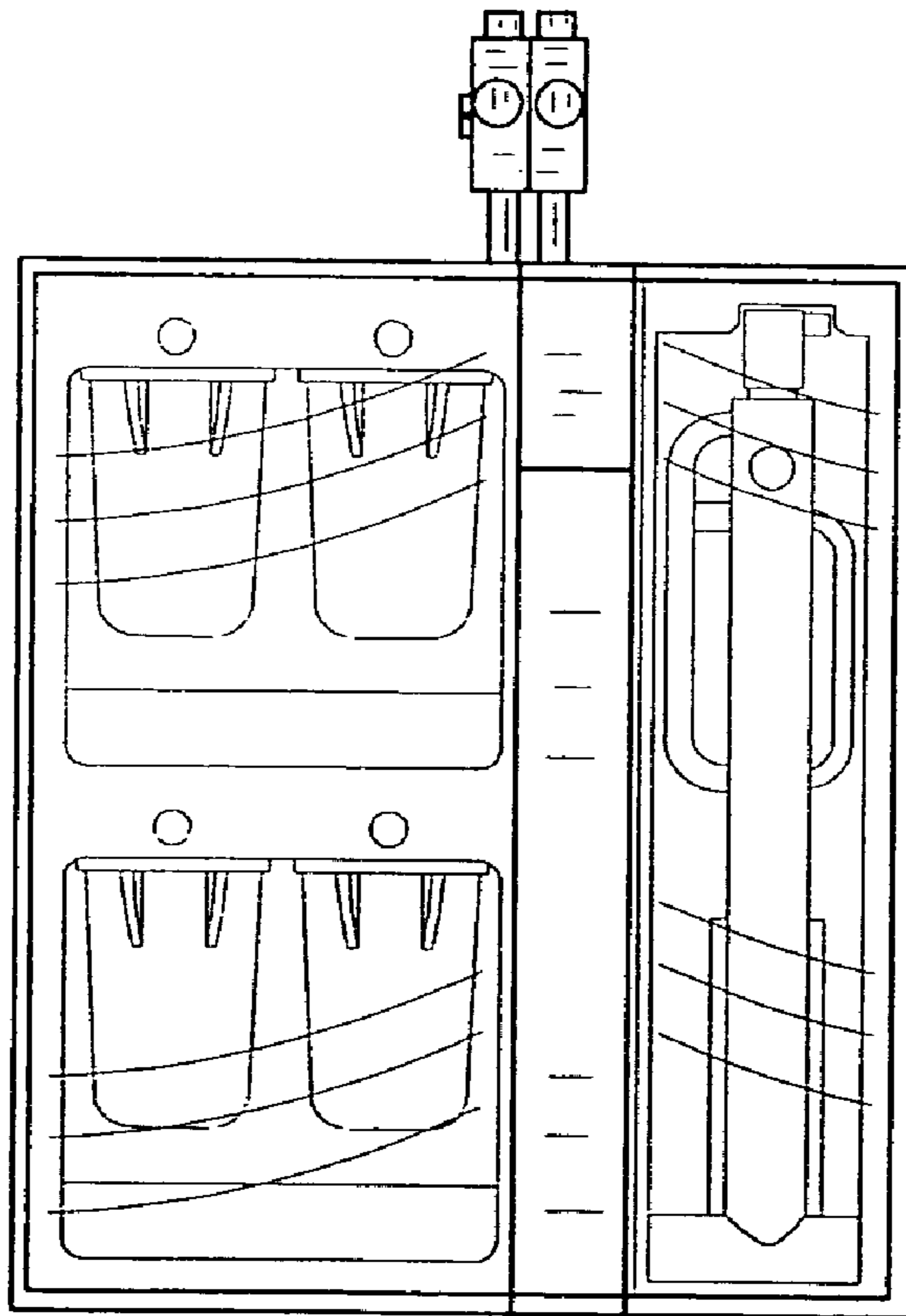


FIG. 4

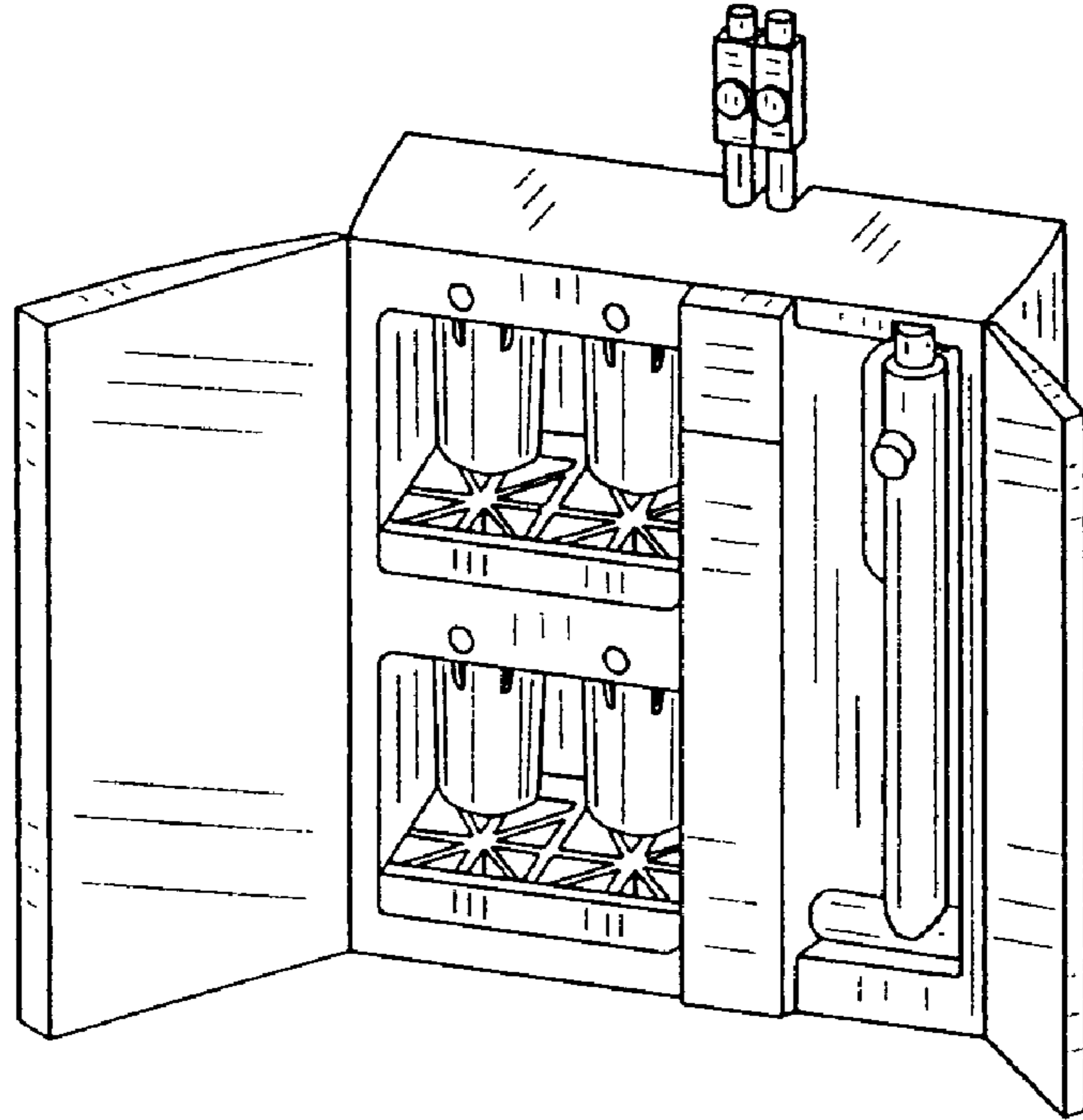


FIG. 5

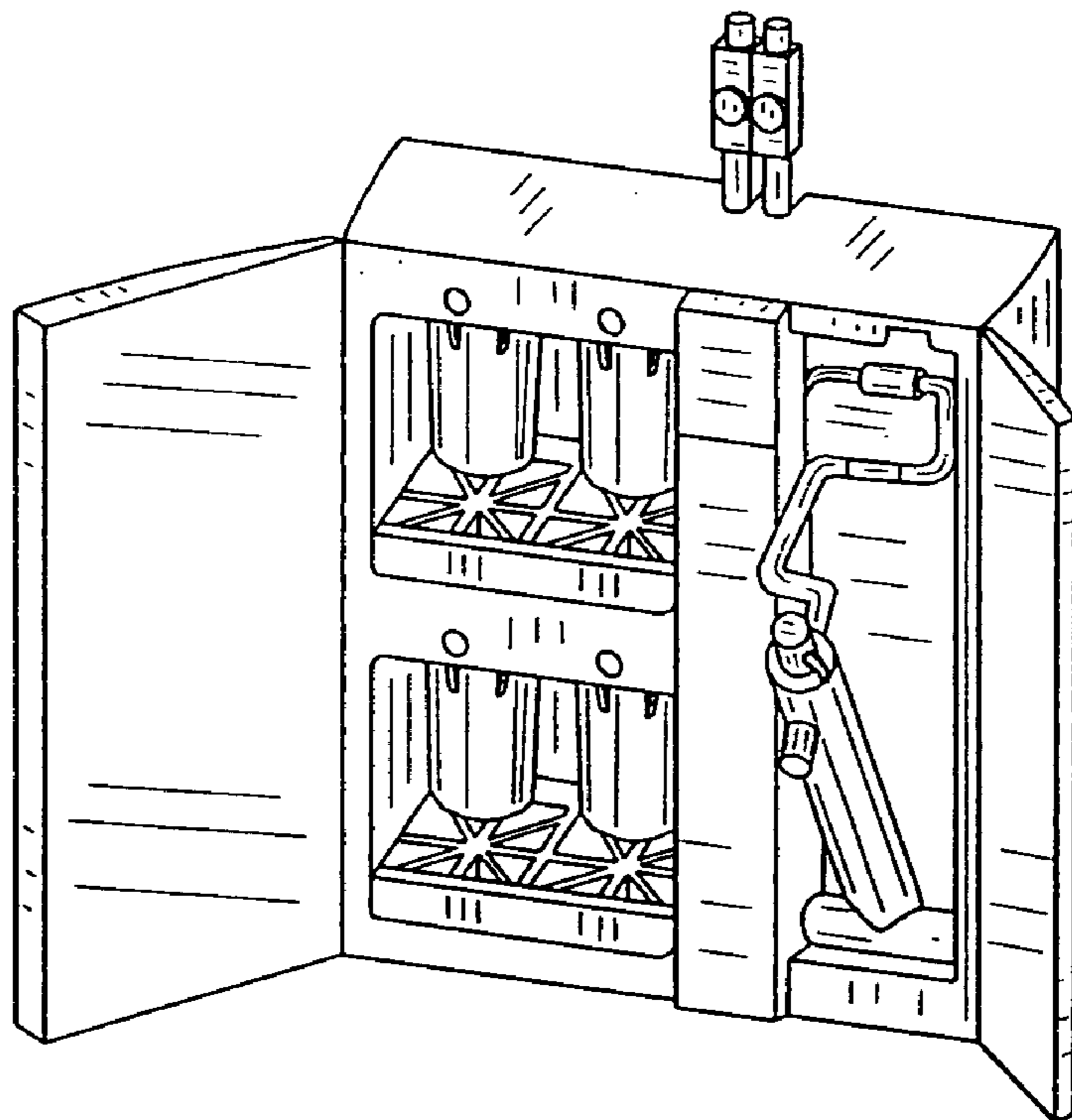


FIG. 6

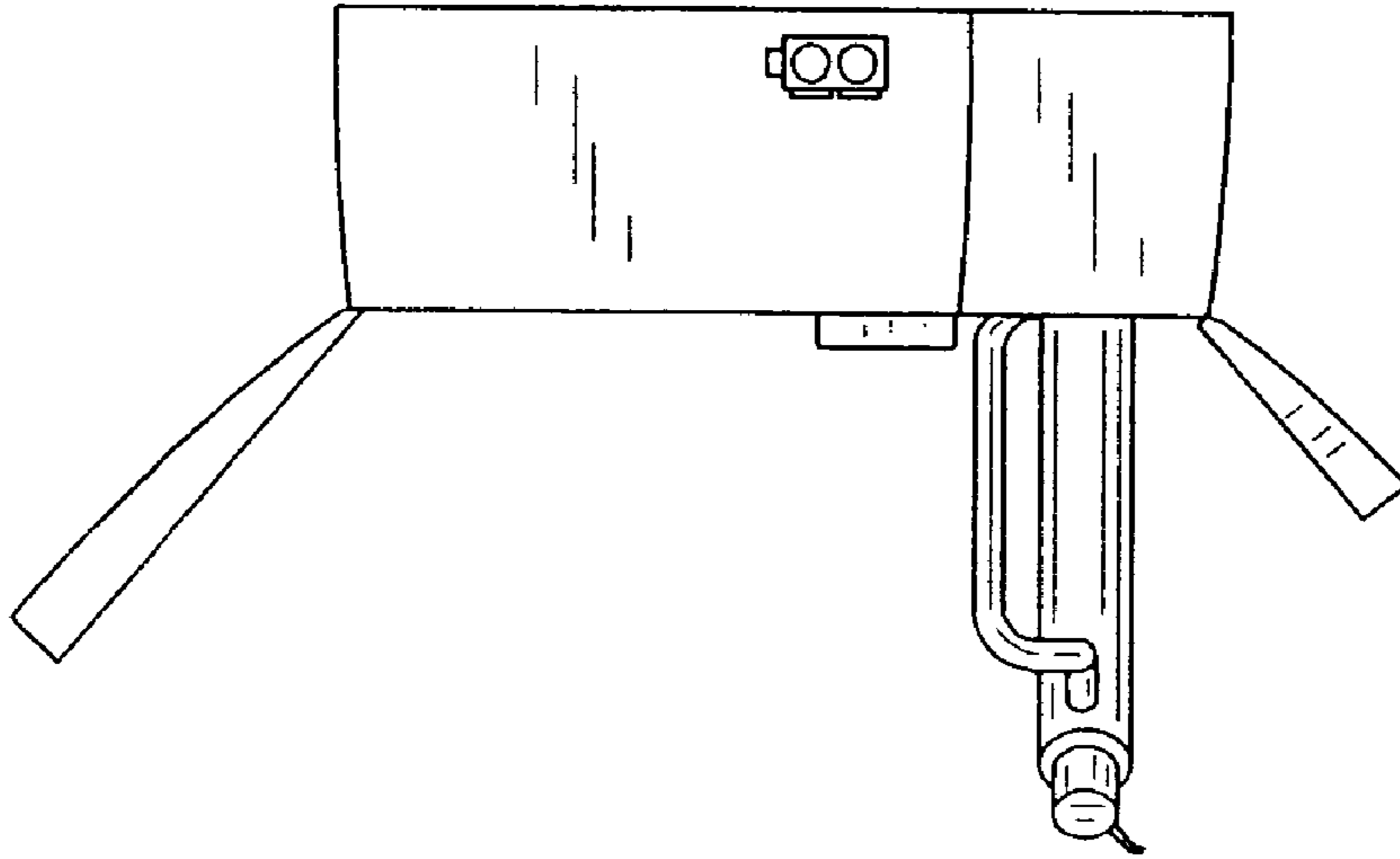


FIG. 7

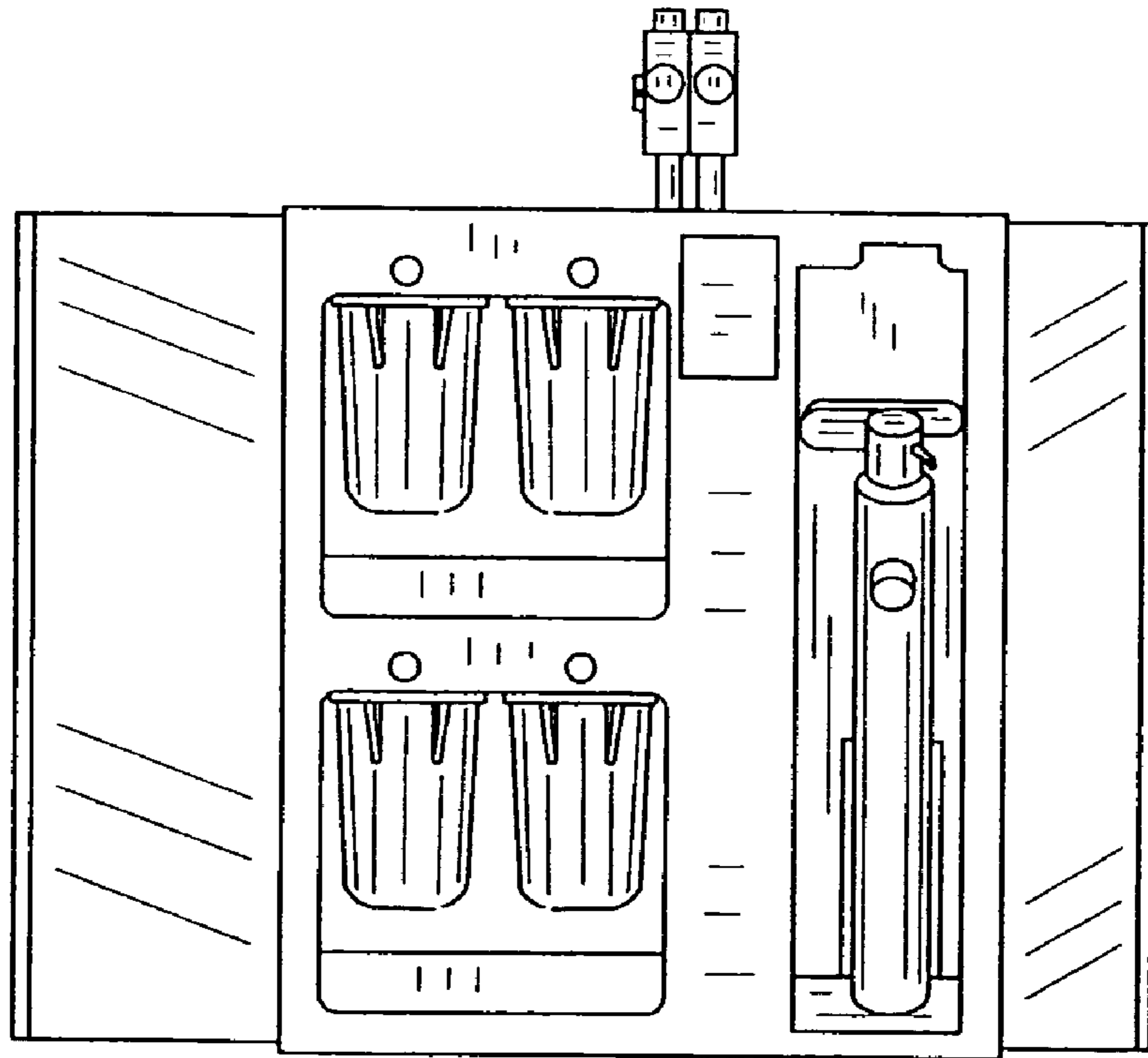


FIG. 8