



US00D545389S

(12) **United States Design Patent**
Glod

(10) **Patent No.:** **US D545,389 S**

(45) **Date of Patent:** **** Jun. 26, 2007**

(54) **GOLF CLUB HEAD**

(75) Inventor: **David B. Glod**, Warrenville, IL (US)

(73) Assignee: **Tour Edge Golf Manufacturing Company**, Batavia, IL (US)

(**) Term: **14 Years**

(21) Appl. No.: **29/253,928**

(22) Filed: **Feb. 14, 2006**

Related U.S. Application Data

(63) Continuation-in-part of application No. 29/231,041, filed on May 31, 2005.

(51) **LOC (8) Cl.** **21-02**

(52) **U.S. Cl.** **D21/759**

(58) **Field of Classification Search** D21/733,
D21/752, 759; 473/324-331, 343-346
See application file for complete search history.

(56) **References Cited**

U.S. PATENT DOCUMENTS

1,518,316 A 12/1924 Ellingham
1,538,312 A 5/1925 Beat

(Continued)

FOREIGN PATENT DOCUMENTS

JP 05-117974 4/1993
JP 05-317465 12/1993

(Continued)

OTHER PUBLICATIONS

Bazooka HL & OS Advertisement, published prior to May 2005.

Bazooka JMAX Iron-Wood Advertisement, published prior to May 2005.

Bazooka JMAX #6 Iron-Wood Advertisement, published by Tour Edge Golf Mfg., Inc., prior to May 2005.

ZOOM i golf club head, [online] [retrieved from the Internet Oct. 6, 1999] <URL: http://www.yrc.co.jp/prgr/catalog/zoom_i.html>.

“Rescue Clubs: Find truth in a bad lie.”, published by Taylor Made Golf Company, [online] [retrieved from the Internet Sep. 15, 1999] <URL: <http://www.taylormadegolf.com/tmg/proshop/rescue/rescue.html>>.

(Continued)

Primary Examiner—Mitchell Siegel

(74) *Attorney, Agent, or Firm*—Bell, Boyd & Lloyd LLP

(57) **CLAIM**

The ornamental design for a golf club head, as shown and described herein.

DESCRIPTION

FIG. 1 is a bottom rear perspective view of a first embodiment of the golf club head of my new design;

FIG. 2 is a bottom plan view of a golf club head of FIG. 1 ;

FIG. 3 is a rear side view of a golf club head of FIG. 1 ;

FIG. 4 is a left side view of a golf club head of FIG. 1 ;

FIG. 5 is a right side view of a golf club head of my new design;

FIG. 6 is a bottom rear perspective view of a second embodiment of the golf club head of my new design;

FIG. 7 is a bottom plan view of a golf club head of FIG. 6;

FIG. 8 is a rear side view of a golf club head of FIG. 6;

FIG. 9 is a left side view of a golf club head of FIG. 6;

FIG. 10 is a right side view of a golf club head of FIG. 6;

FIG. 11 is a bottom rear perspective view of a third embodiment of the golf club head of my new design;

FIG. 12 is a bottom plan view of a golf club head of FIG. 11;

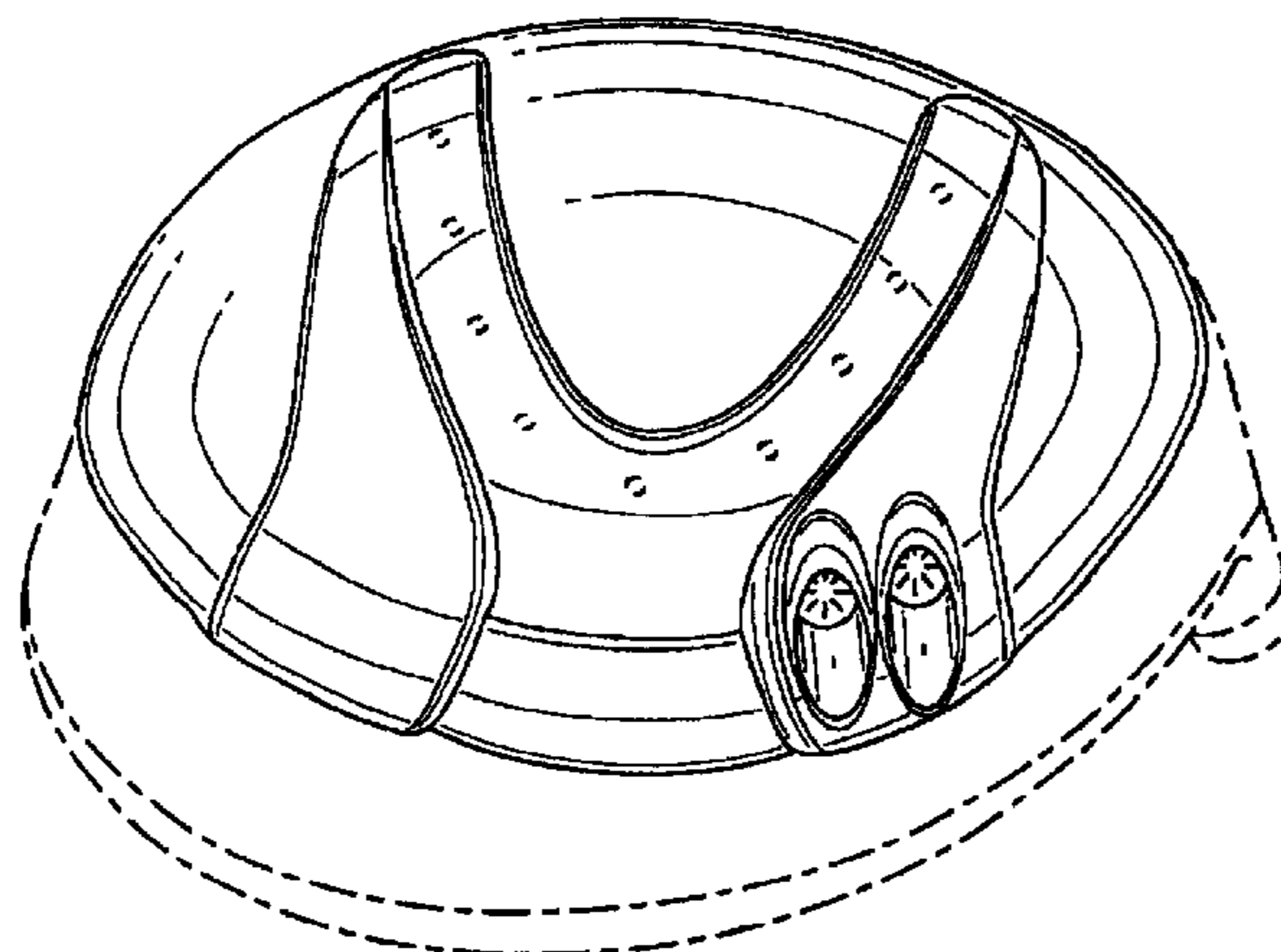
FIG. 13 is a rear side view of a golf club head of FIG. 11;

FIG. 14 is a left side view of a golf club head of FIG. 11; and,

FIG. 15 is a right side view of a golf club head of FIG. 11.

The broken lines showing on the drawing disclosure is for illustrative purposes only and forms no part of the claimed design.

1 Claim, 6 Drawing Sheets



US D545,389 S

Page 2

U.S. PATENT DOCUMENTS

1,592,463 A	7/1926	Marker	5,643,112 A	7/1997	Besnard et al.
1,658,581 A	2/1928	Tobia	5,669,827 A	9/1997	Nagamoto
1,844,812 A	2/1932	Thorpe	5,683,309 A	11/1997	Reimers
1,970,409 A	8/1934	Wiedemann	5,709,613 A	1/1998	Sheraw
2,041,676 A *	5/1936	Gallagher 473/327	5,718,641 A	2/1998	Lin
2,225,930 A	12/1940	Sexton	5,746,664 A	5/1998	Reynolds, Jr.
2,360,364 A	10/1944	Reach	5,755,627 A	5/1998	Yamazaki et al.
2,460,435 A	2/1949	Schaeffer	5,766,092 A	6/1998	Mimeur et al.
3,064,980 A	11/1962	Steiner	5,769,737 A	6/1998	Holladay et al.
3,466,047 A	9/1969	Rodia et al.	D396,512 S	7/1998	Besnard et al.
3,589,731 A	6/1971	Chancellor, Jr.	5,776,011 A	7/1998	Su et al.
3,606,327 A	9/1971	Gorman	D397,178 S	8/1998	Havens et al.
3,610,630 A	10/1971	Glover	5,792,005 A	8/1998	Sieleman et al.
3,652,094 A	3/1972	Glover	D398,681 S	9/1998	Galy
3,672,419 A	6/1972	Fischer	RE35,955 E	11/1998	Lu
3,692,306 A	9/1972	Glover	5,833,551 A	11/1998	Vincent et al.
3,743,297 A	7/1973	Dennis	D411,272 S	6/1999	Burrows
3,897,066 A	7/1975	Belmont	5,908,356 A	6/1999	Nagamoto
3,976,299 A	8/1976	Lawrence et al.	5,911,638 A	6/1999	Parente et al.
3,979,122 A	9/1976	Belmont	5,935,019 A	8/1999	Yamamoto
3,979,123 A	9/1976	Belmont	5,941,782 A	8/1999	Cook
4,008,896 A	2/1977	Gordos	5,947,840 A	9/1999	Ryan
4,043,563 A	8/1977	Churchward	5,967,905 A	10/1999	Nakahara et al.
4,052,075 A	10/1977	Daly	D415,886 S	11/1999	Holmes
4,076,254 A	2/1978	Nygren	5,997,415 A	12/1999	Wood
4,085,934 A	4/1978	Churchward	6,015,354 A	1/2000	Ahn et al.
4,121,832 A	10/1978	Ebbing	6,019,686 A	2/2000	Gray
4,214,754 A	7/1980	Zebelean	D425,953 S	5/2000	Glod
4,262,562 A	4/1981	MacNeill	6,056,649 A	5/2000	Imai
4,340,229 A	7/1982	Stuff, Jr.	6,089,994 A	7/2000	Sun
4,411,430 A	10/1983	Dian	D429,298 S	8/2000	Butler
4,423,874 A	1/1984	Stuff, Jr.	6,149,533 A	11/2000	Finn
4,438,931 A	3/1984	Motomiya	D435,616 S	12/2000	Glod
4,530,505 A	7/1985	Stuff	6,162,133 A	12/2000	Peterson
4,602,787 A	7/1986	Sugioka et al.	6,238,303 B1	5/2001	Fite
4,607,846 A	8/1986	Perkins	6,270,422 B1	8/2001	Fisher
4,730,830 A	3/1988	Tilley	6,277,032 B1	8/2001	Smith
4,736,093 A	4/1988	Braly	D447,783 S	9/2001	Glod
4,754,977 A	7/1988	Sahm	D447,784 S	9/2001	Glod
4,795,159 A	1/1989	Nagamoto	6,296,579 B1	10/2001	Robinson
4,869,507 A	9/1989	Sahm	6,299,547 B1	10/2001	Kosmatka
4,895,371 A	1/1990	Bushner	D451,161 S	11/2001	Glod
4,962,932 A	10/1990	Anderson	6,334,817 B1	1/2002	Ezawa et al.
5,050,879 A	9/1991	Sun et al.	6,348,014 B1	2/2002	Chiu
5,058,895 A	10/1991	Igarashi	D454,933 S	3/2002	Shenoha
5,244,210 A	9/1993	Au	D455,467 S	4/2002	Shenoha
5,253,869 A	10/1993	Dingle et al.	6,379,265 B1	4/2002	Hirakawa et al.
D343,435 S	1/1994	Poincenot et al.	6,383,090 B1	5/2002	O'Doherty et al.
D345,775 S	4/1994	Poincenot et al.	6,390,933 B1	5/2002	Galloway et al.
5,314,185 A *	5/1994	Gorman 473/327	6,409,612 B1	6/2002	Evans et al.
5,316,305 A	5/1994	McCabe	6,440,009 B1	8/2002	Guibaud et al.
5,320,005 A	6/1994	Hsiao	D470,555 S *	2/2003	Burnett et al. D21/752
5,328,176 A	7/1994	Lo	6,514,154 B1	2/2003	Finn
5,385,348 A	1/1995	Wargo	6,524,197 B2	2/2003	Boone
D357,521 S	4/1995	Wittrock	D471,246 S *	3/2003	Jones et al. D21/752
5,410,798 A	5/1995	Lo	6,527,649 B1	3/2003	Neher et al.
5,421,577 A	6/1995	Kobayashi	6,565,448 B2	5/2003	Cameron et al.
5,429,365 A	7/1995	McKeighen	6,569,040 B2	5/2003	Bradstock
D360,925 S	8/1995	Antonious	6,641,487 B1	11/2003	Hamburger
D361,813 S	8/1995	Guibaud et al.	6,669,571 B1	12/2003	Cameron et al.
5,439,222 A	8/1995	Kranenberg	D490,488 S *	5/2004	Hoffmann et al. D21/752
5,441,274 A	8/1995	Clay	6,739,983 B2	5/2004	Helmstetter et al.
5,447,311 A	9/1995	Viollaz et al.	6,757,572 B1	6/2004	Forest
D365,616 S	12/1995	Lee	D492,971 S *	7/2004	Madore D21/752
5,518,243 A	5/1996	Redman	D492,973 S *	7/2004	Madore D21/759
5,533,730 A	7/1996	Ruvang	6,773,360 B2	8/2004	Willett et al.
5,571,053 A	11/1996	Lane	D508,544 S *	8/2005	Madore D21/752
5,624,331 A	4/1997	Lo et al.	D509,870 S *	9/2005	Madore D21/759
D379,207 S	5/1997	Besnard et al.	D511,362 S *	11/2005	Madore D21/759
5,629,475 A	5/1997	Chastonay	D514,184 S *	1/2006	Kawami D21/752
			D520,586 S *	5/2006	Bingman D21/759

D523,508 S	6/2006	Shenoha
2001/0049310 A1	12/2001	Cheng et al.
2002/0022535 A1	2/2002	Takeda
2002/0072434 A1	6/2002	Yabu
2002/0137576 A1	9/2002	Dammen
2002/0160854 A1	10/2002	Beach et al.
2003/0036442 A1	2/2003	Chao
2003/0130059 A1	7/2003	Billings
2004/0087388 A1	5/2004	Beach et al.
2004/0242343 A1	12/2004	Chao et al.
2005/0209021 A1	9/2005	Hoffman et al.

FOREIGN PATENT DOCUMENTS

JP	06-126004	5/1994
JP	09-028844	2/1997
JP	09-327534	12/1997
JP	10-234902	9/1998
WO	WO 01/66199 A1	9/2001
WO	WO 03/061773 A1	7/2003

OTHER PUBLICATIONS

“Irons: FireSole: Find the weight right where you need it.”, published by Taylor Made Golf Company, [online] [re-

trieved from the Internet Sep. 15, 1999] <URL: <http://www.taylormadegolf.com/tmg/proshop/iron/fsiron.html>>.

Taylor Made Golf Company, Inc./U.S. Patent and Trademark Office, Trademark application published in the U.S. Patent and Trademark Office Trademark Gazette, Feb. 9, 1999.

Tour Edge Bazooka JMax Article, written by Golf Digest, published in Feb. 2005.

“Tour Edge Escapes Trouble,” article published by Golf Illustrated prior to May 2005.

“Tour Edge Golf’s Most Solid Investment.” published by Tour Edge Golf Mfg., Inc., prior to May 2005.

“The Shape of Things to Come,” Brochure, published by Tour Edge Golf Mfg., Inc., prior to May 2005.

“The Shape of Things to Come,” Brochure, published by Tour Edge Golf Mfg., Inc., prior to May 2005.

JPEG Image of PRGR golf club head, retrieved on Oct. 7, 1999.

* cited by examiner

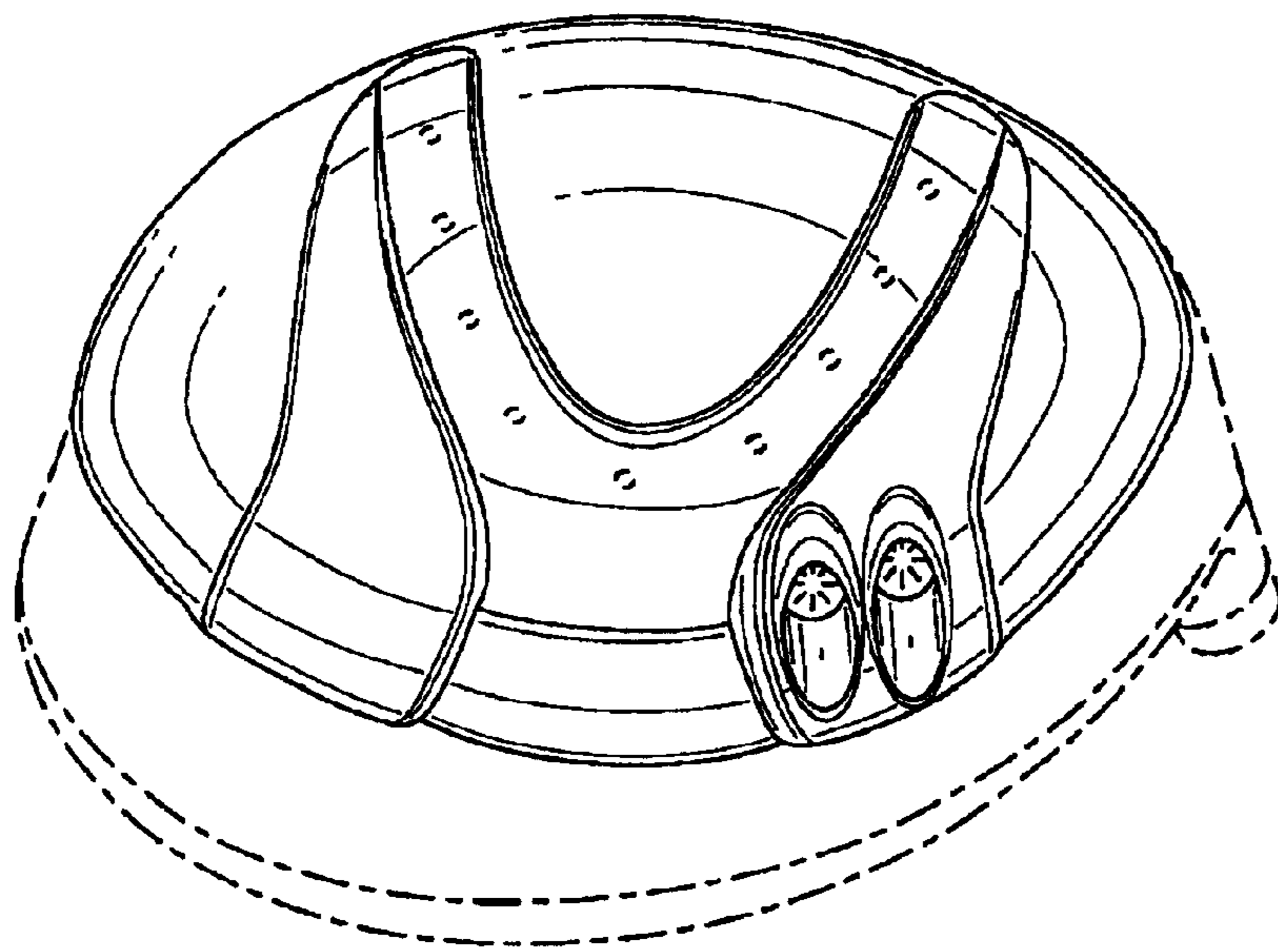


FIG. 1

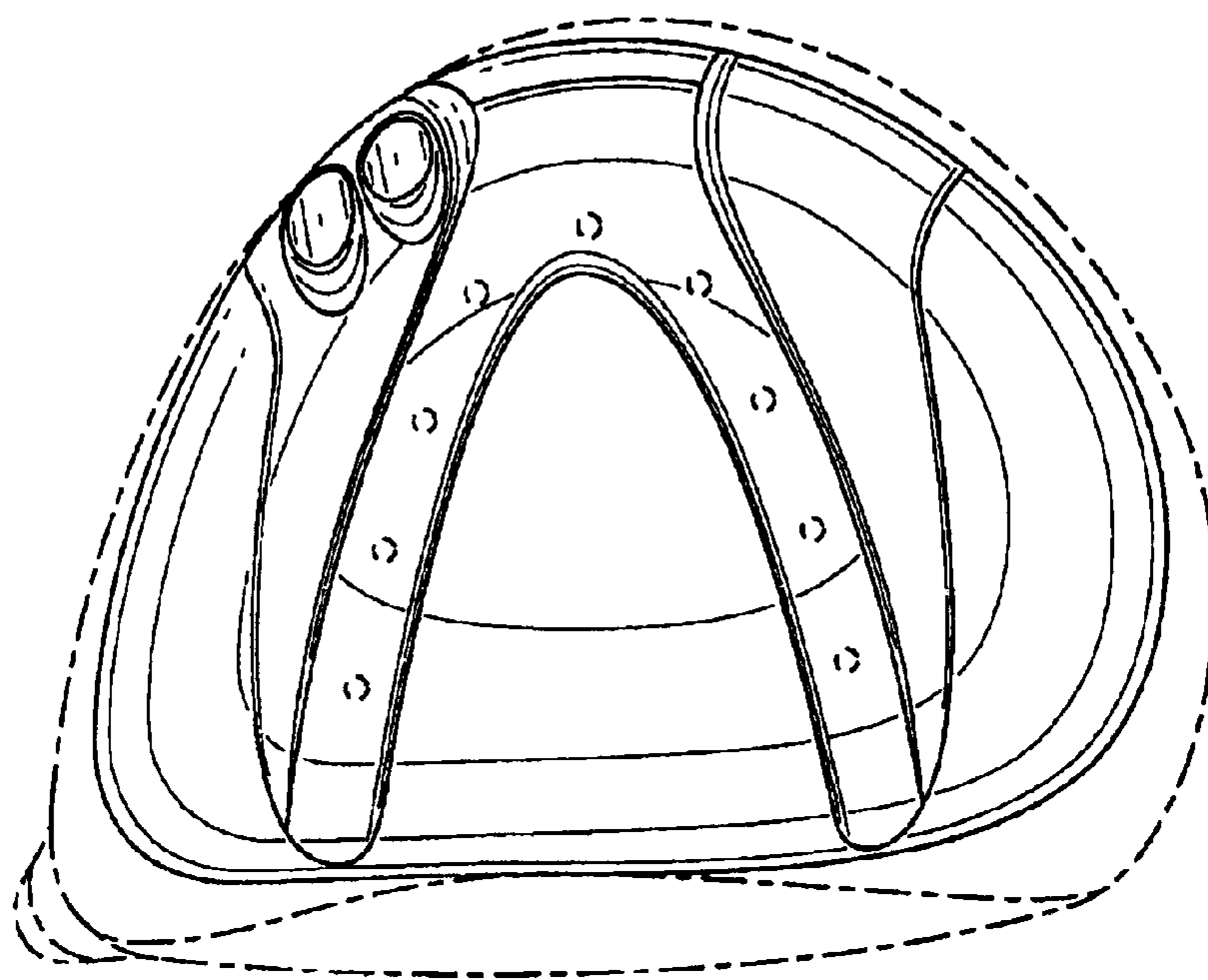


FIG. 2

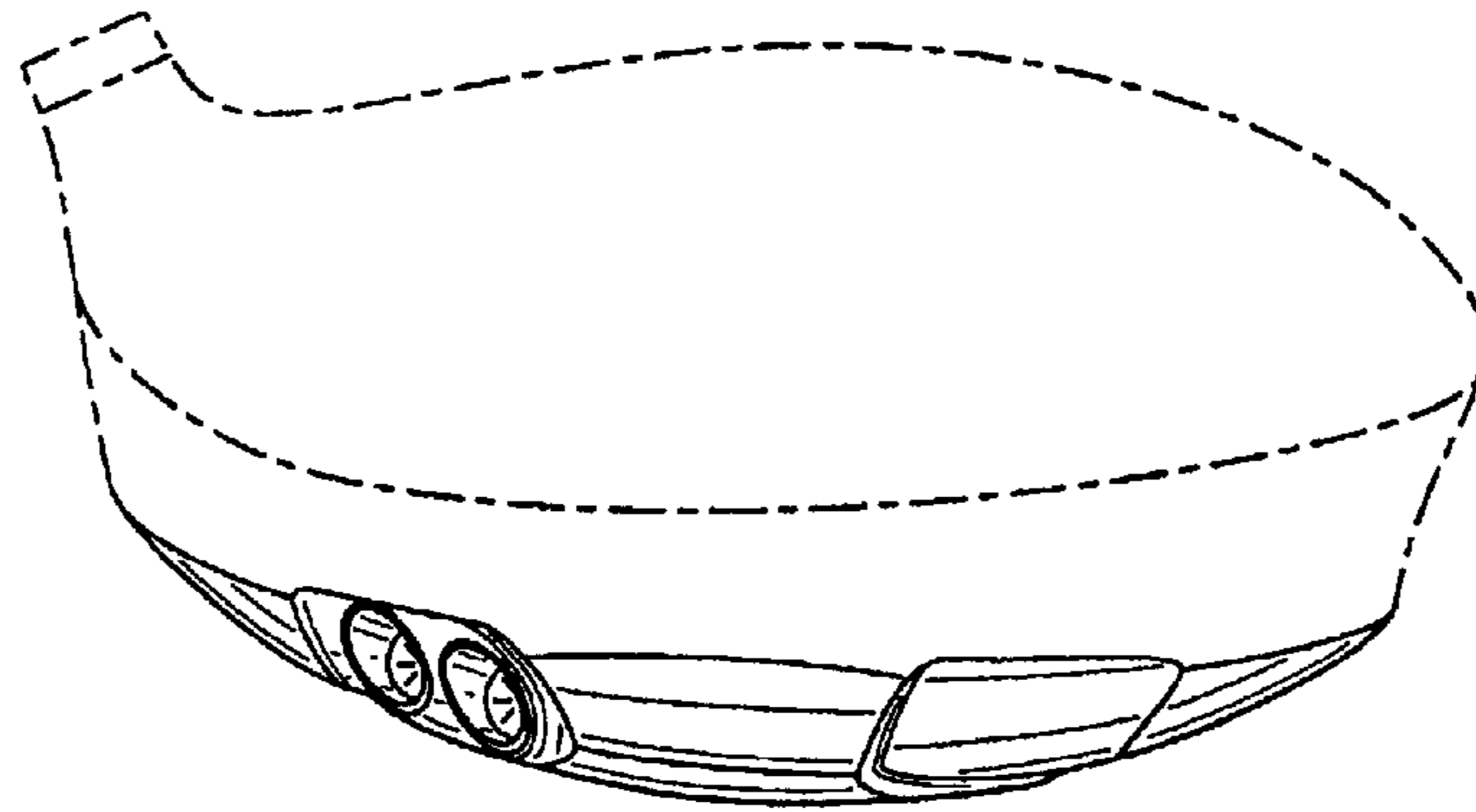


FIG. 3

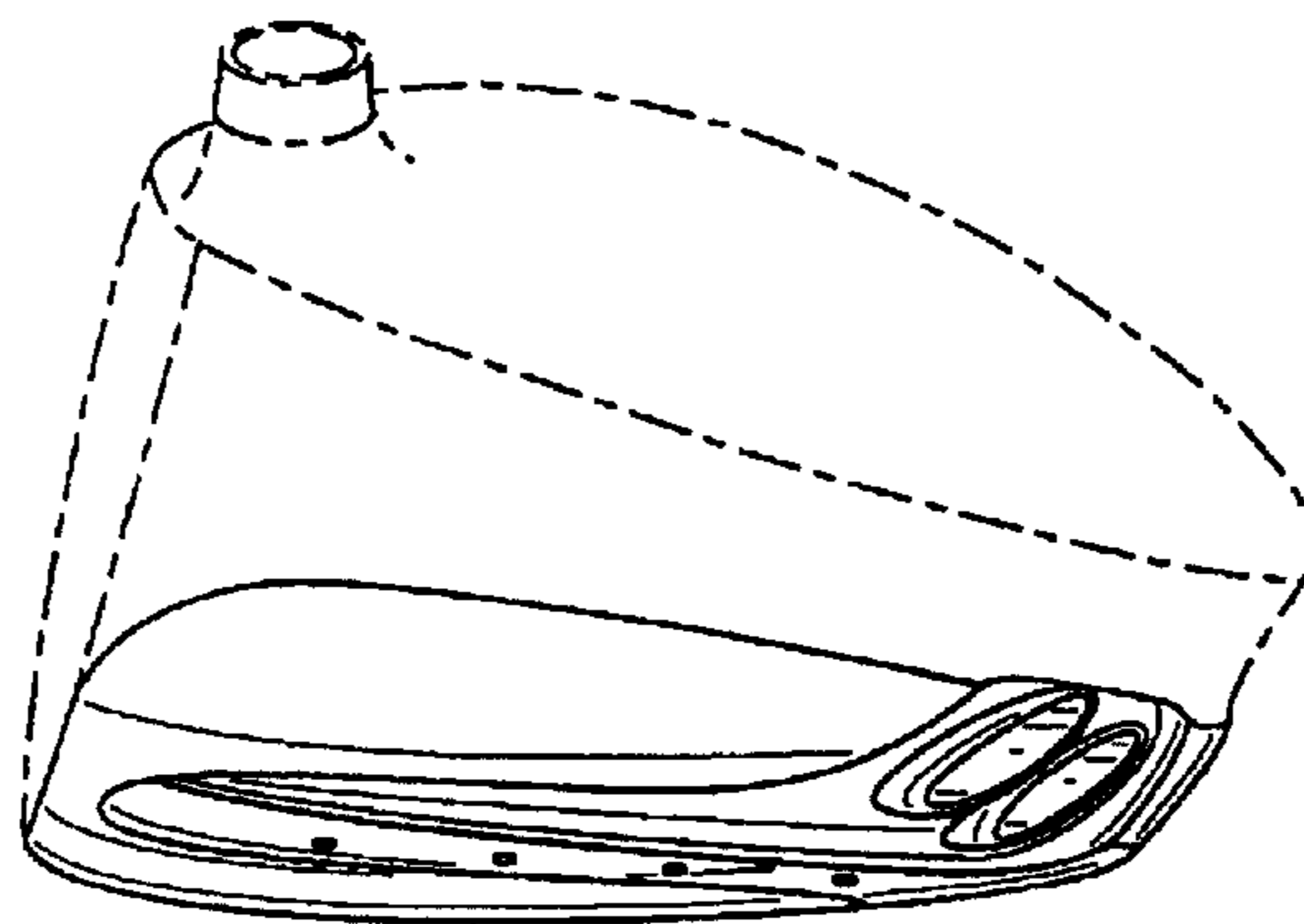


FIG. 4

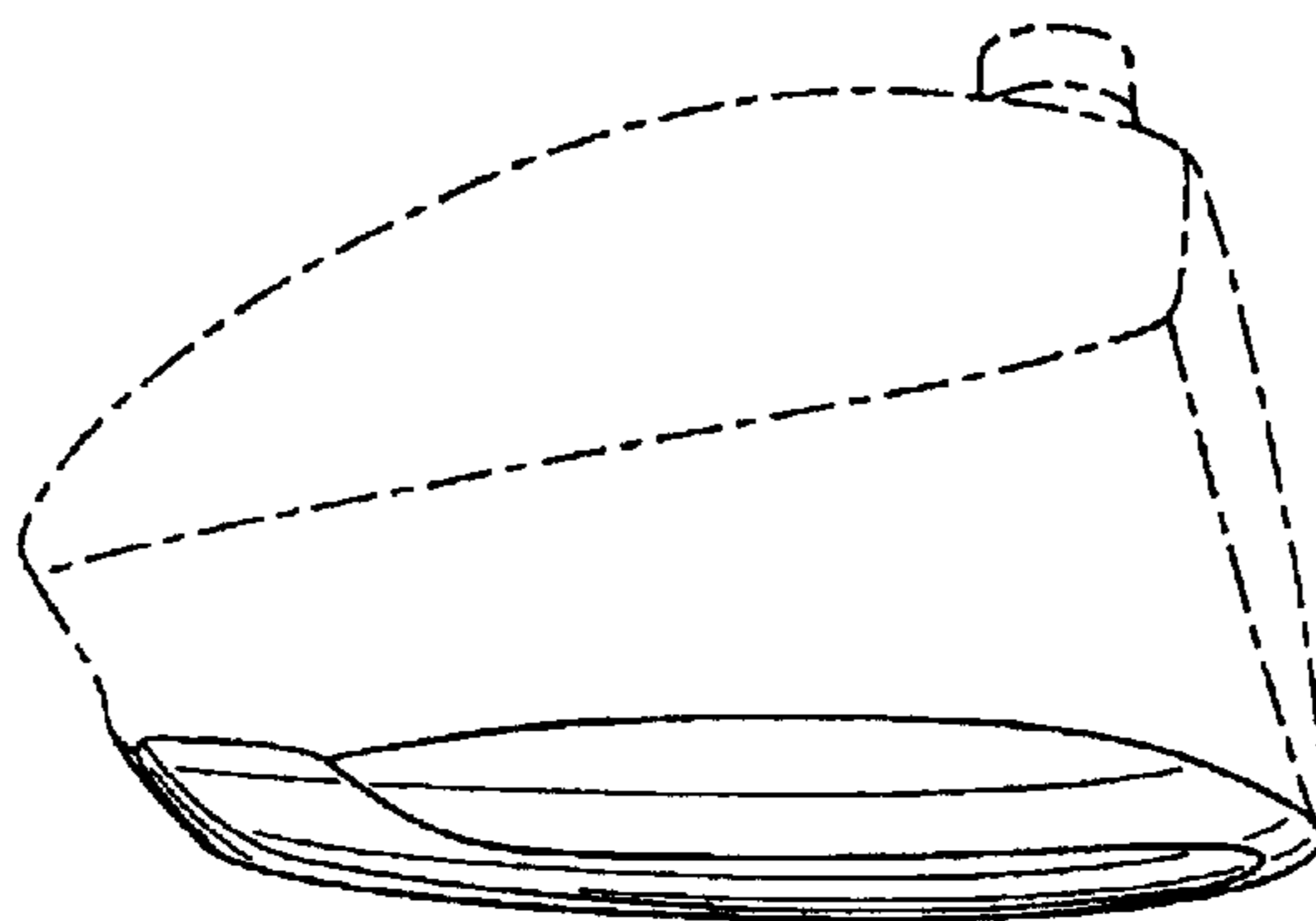


FIG. 5

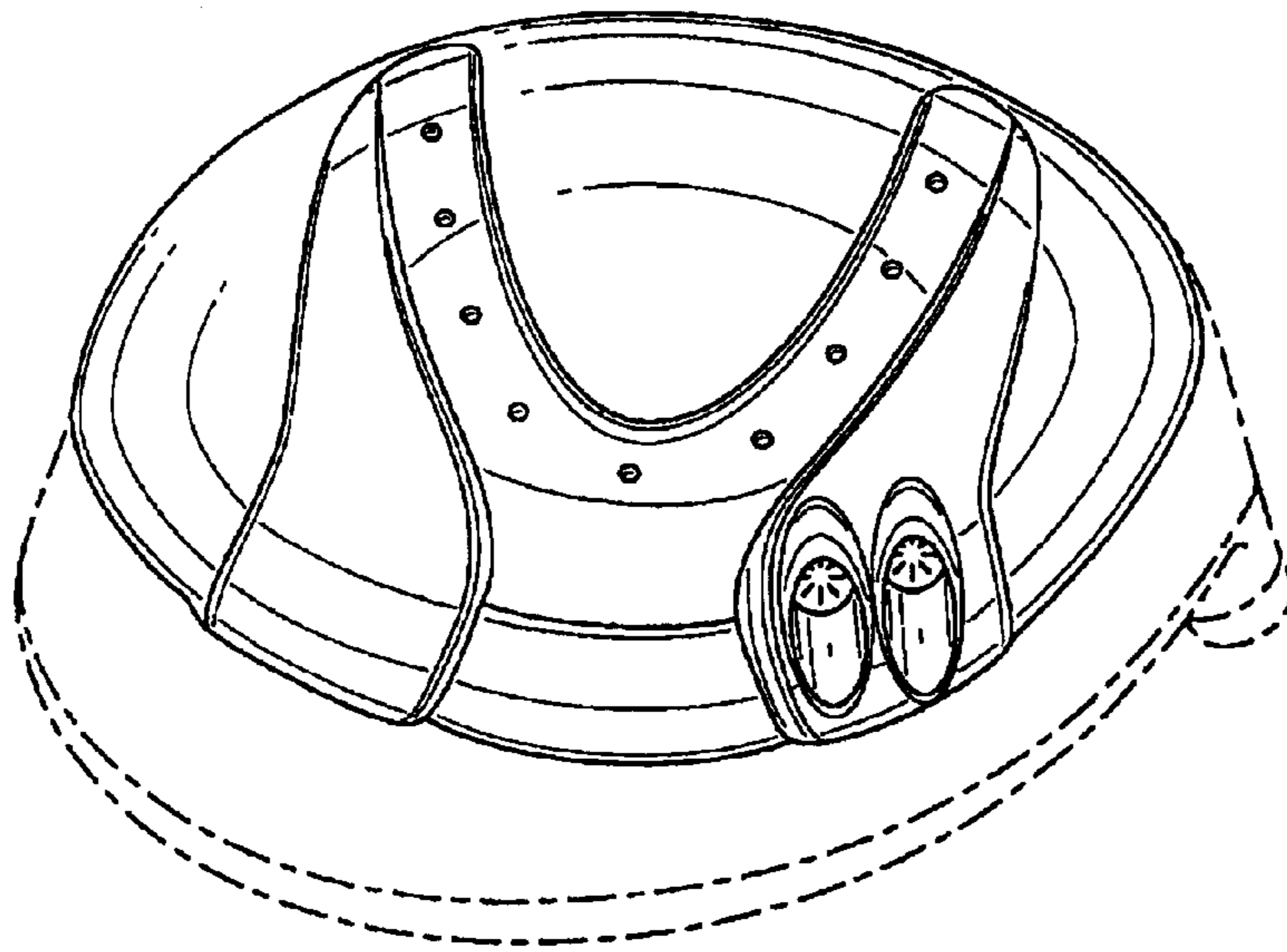


FIG. 6

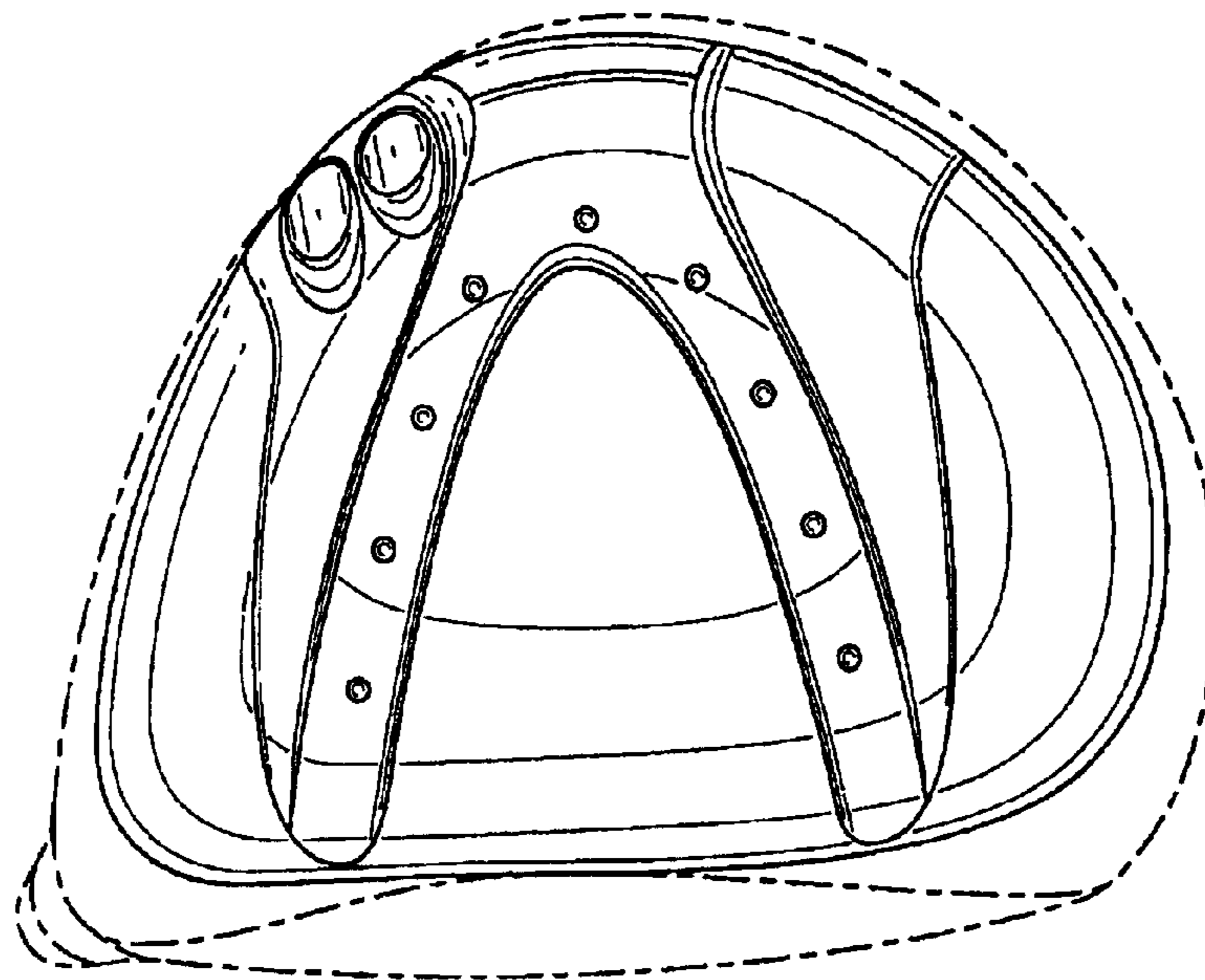


FIG. 7

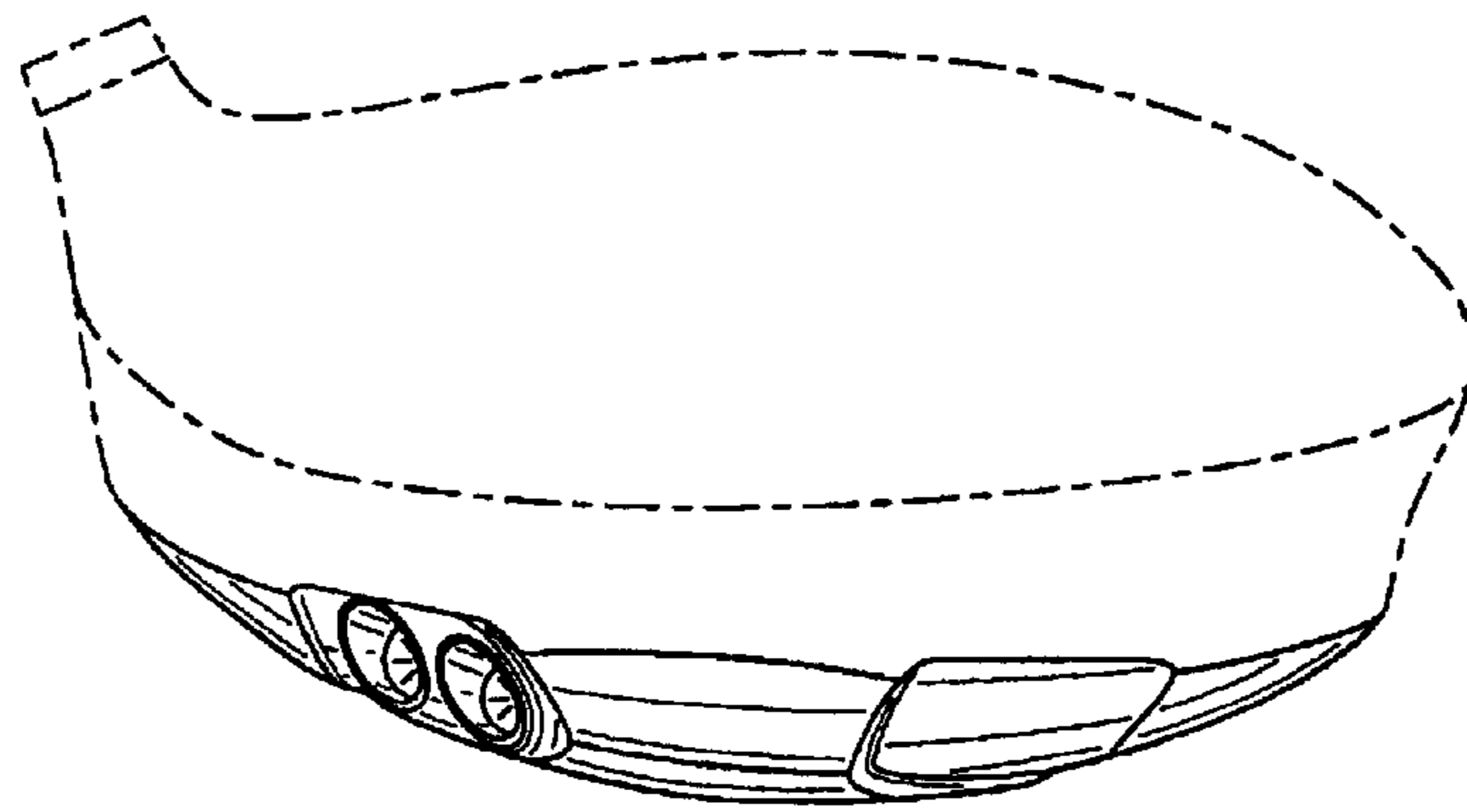


FIG. 8

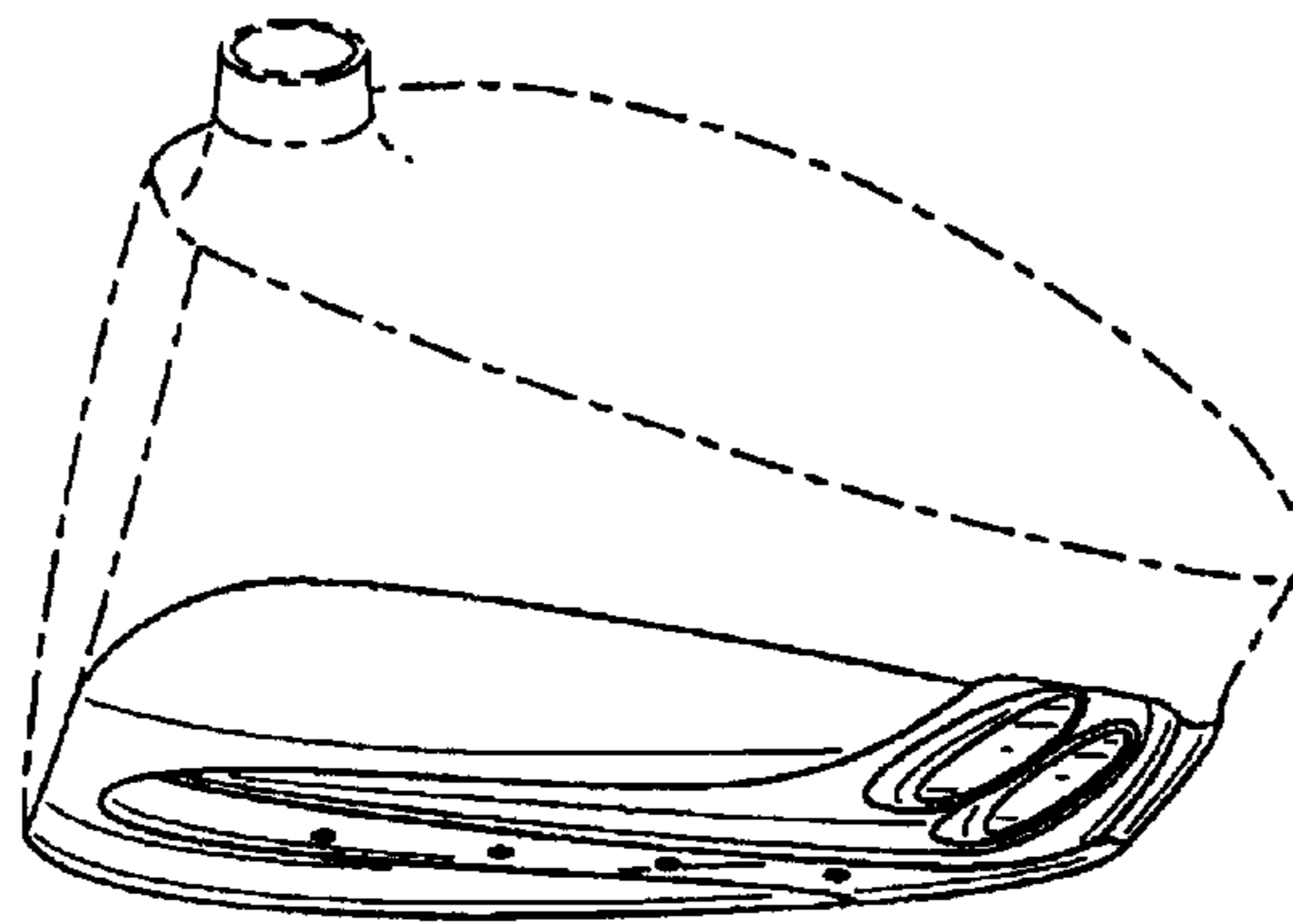


FIG. 9

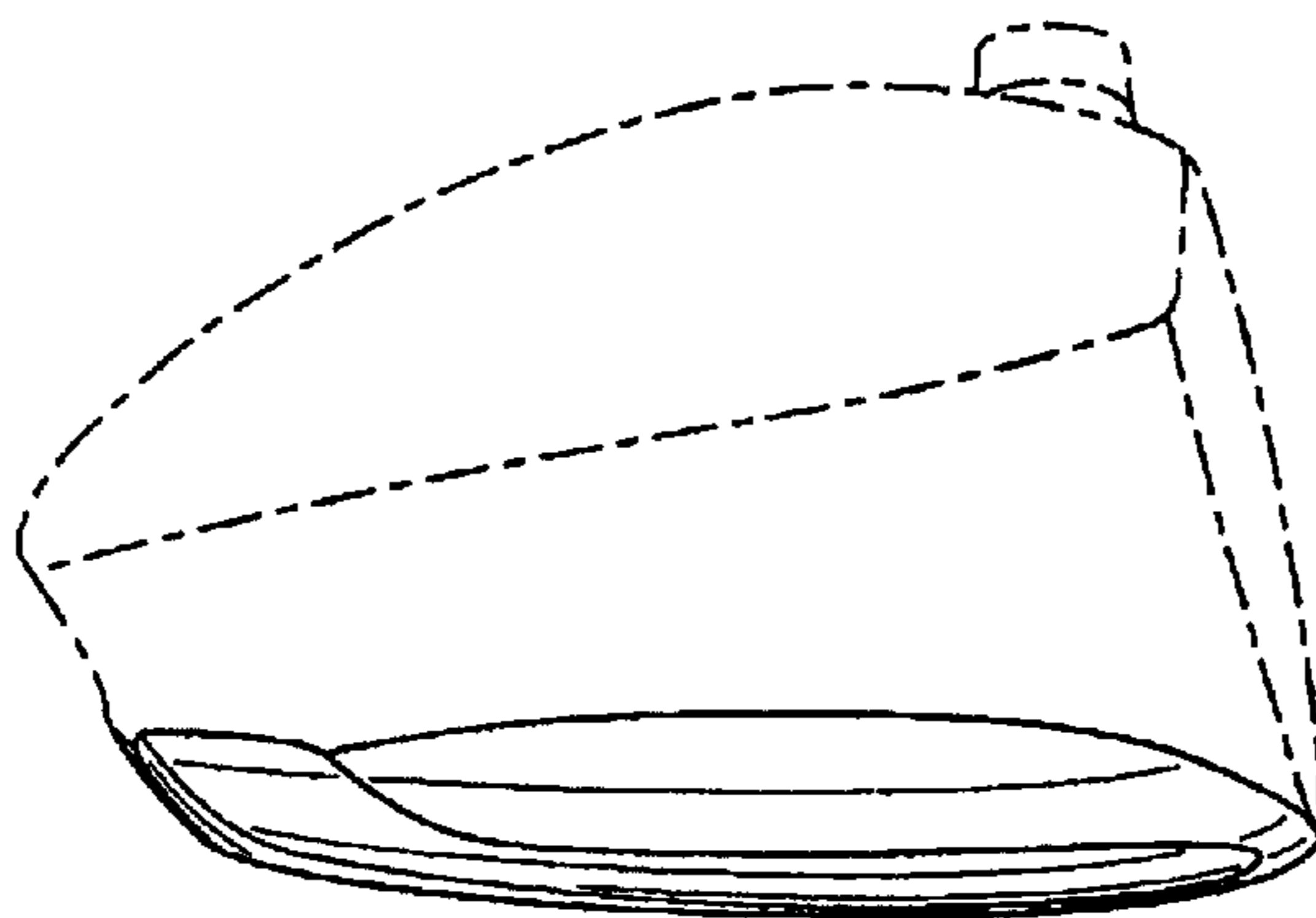


FIG. 10

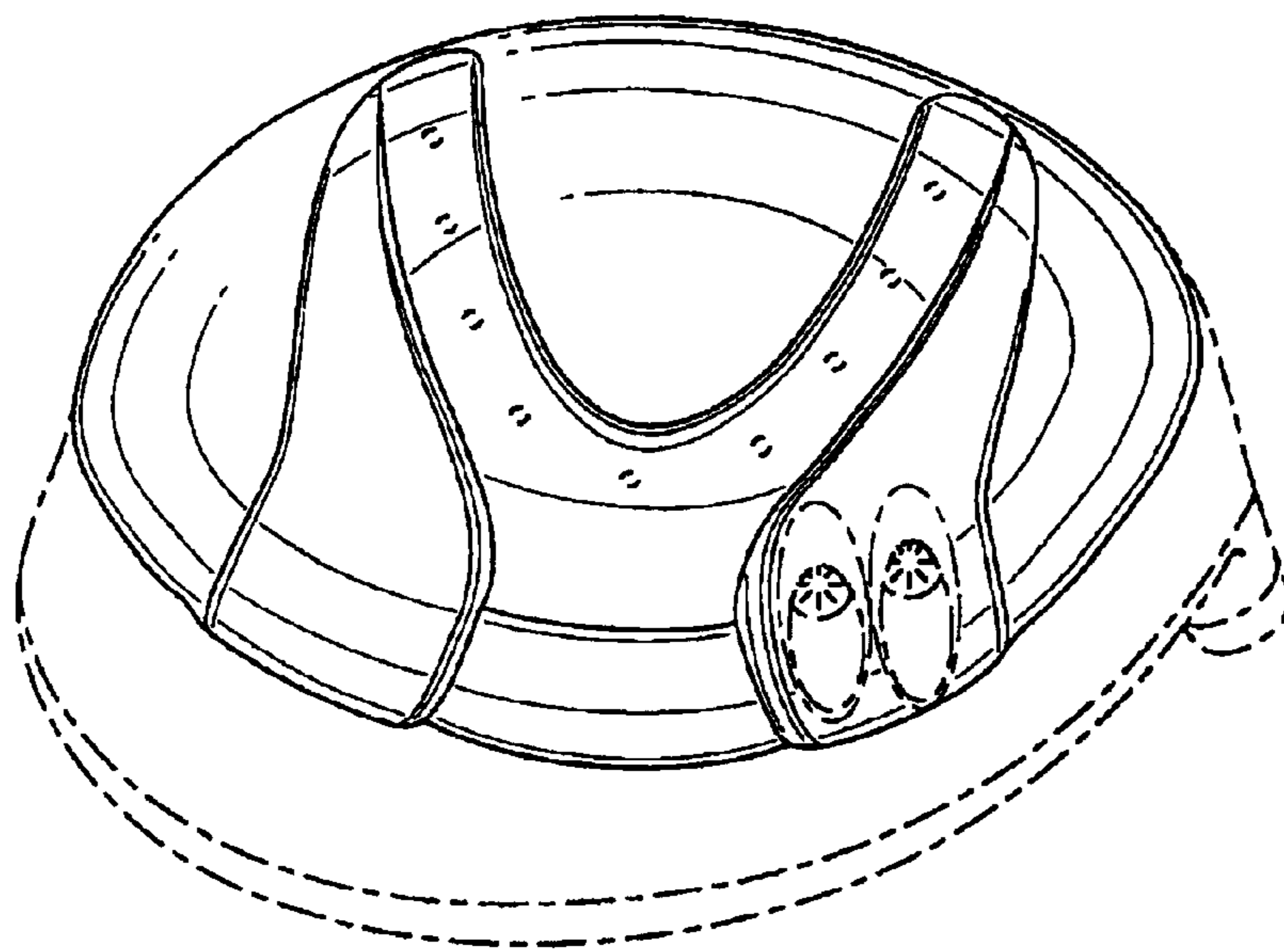


FIG. 11

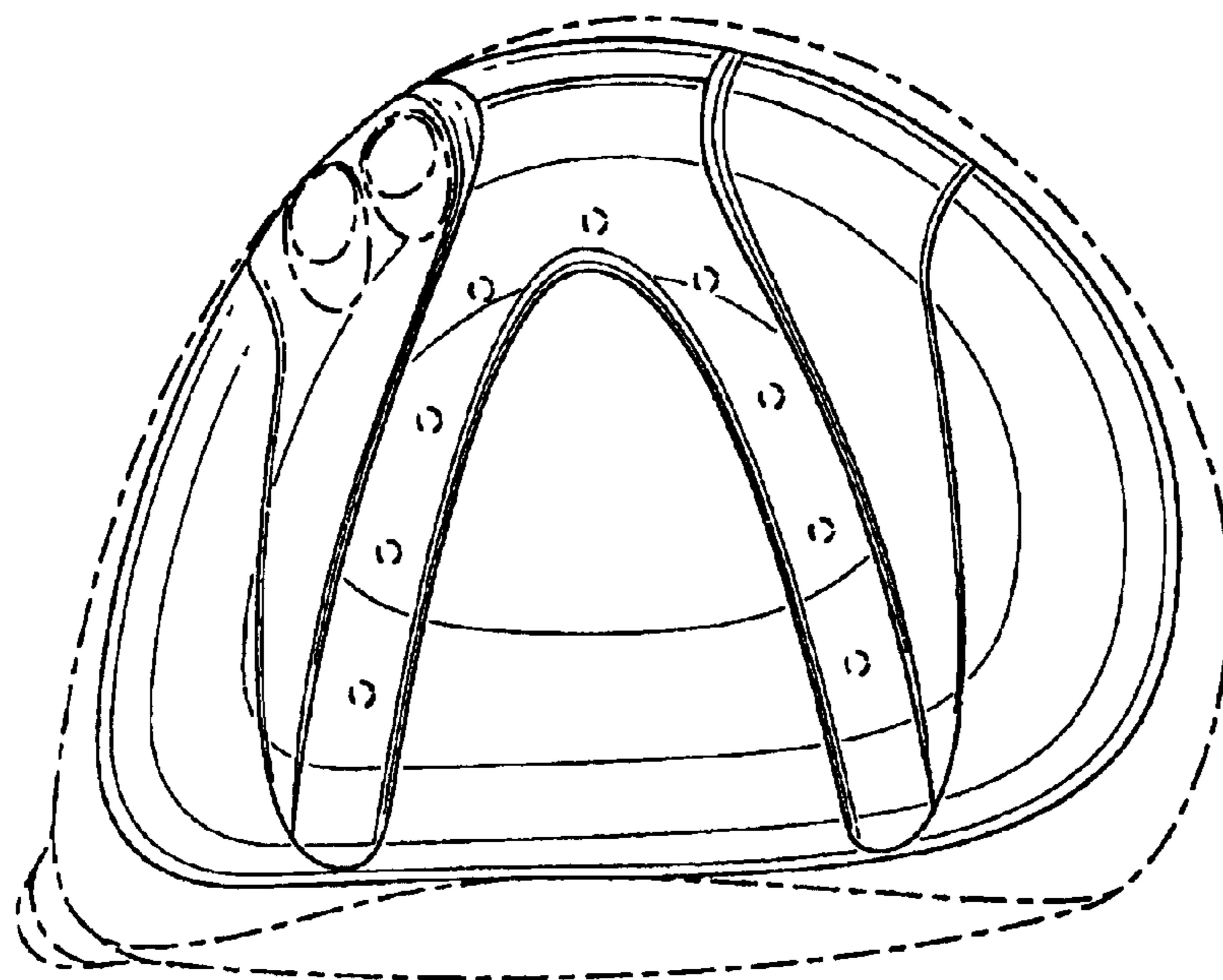


FIG. 12

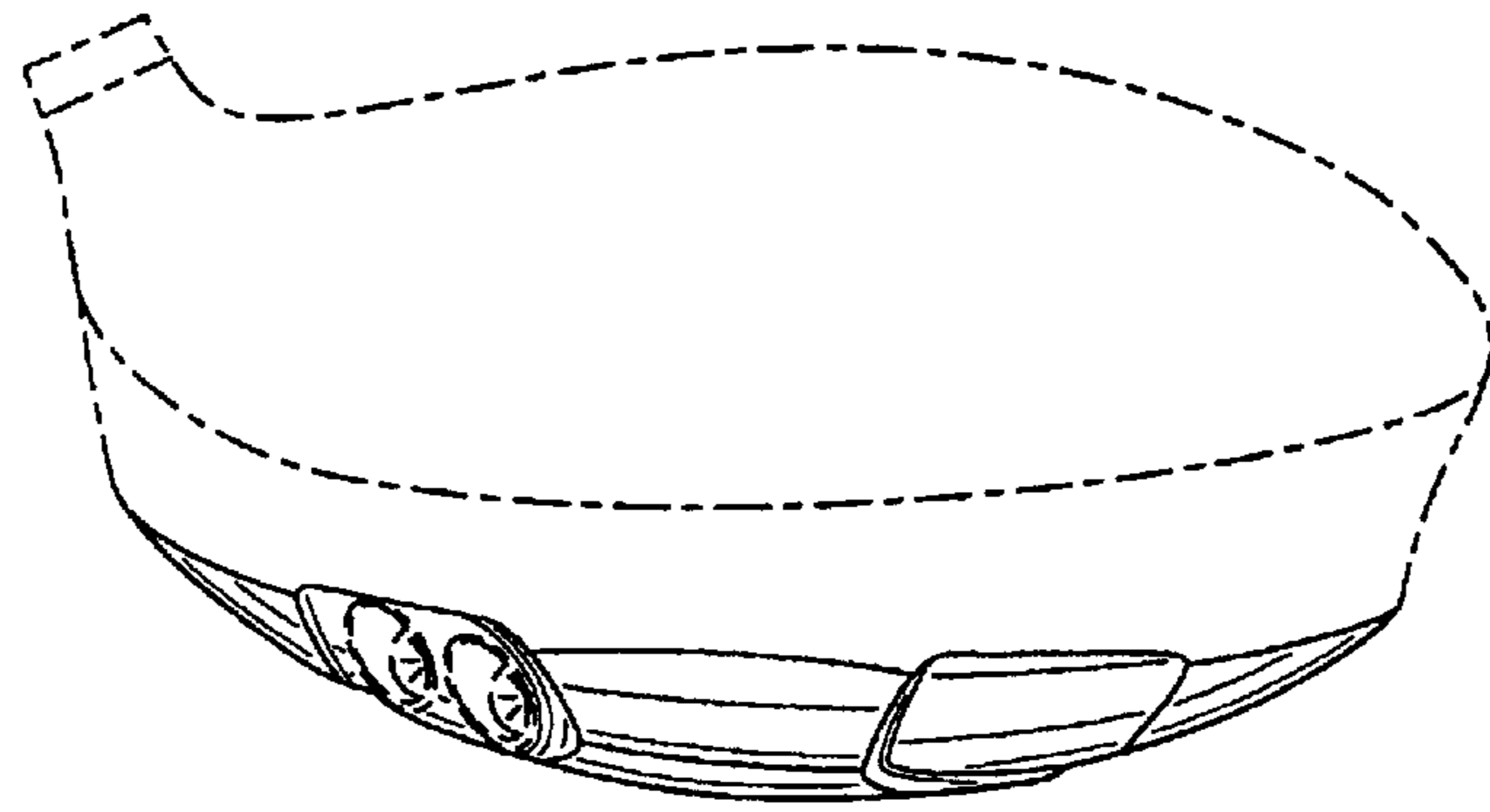


FIG. 13

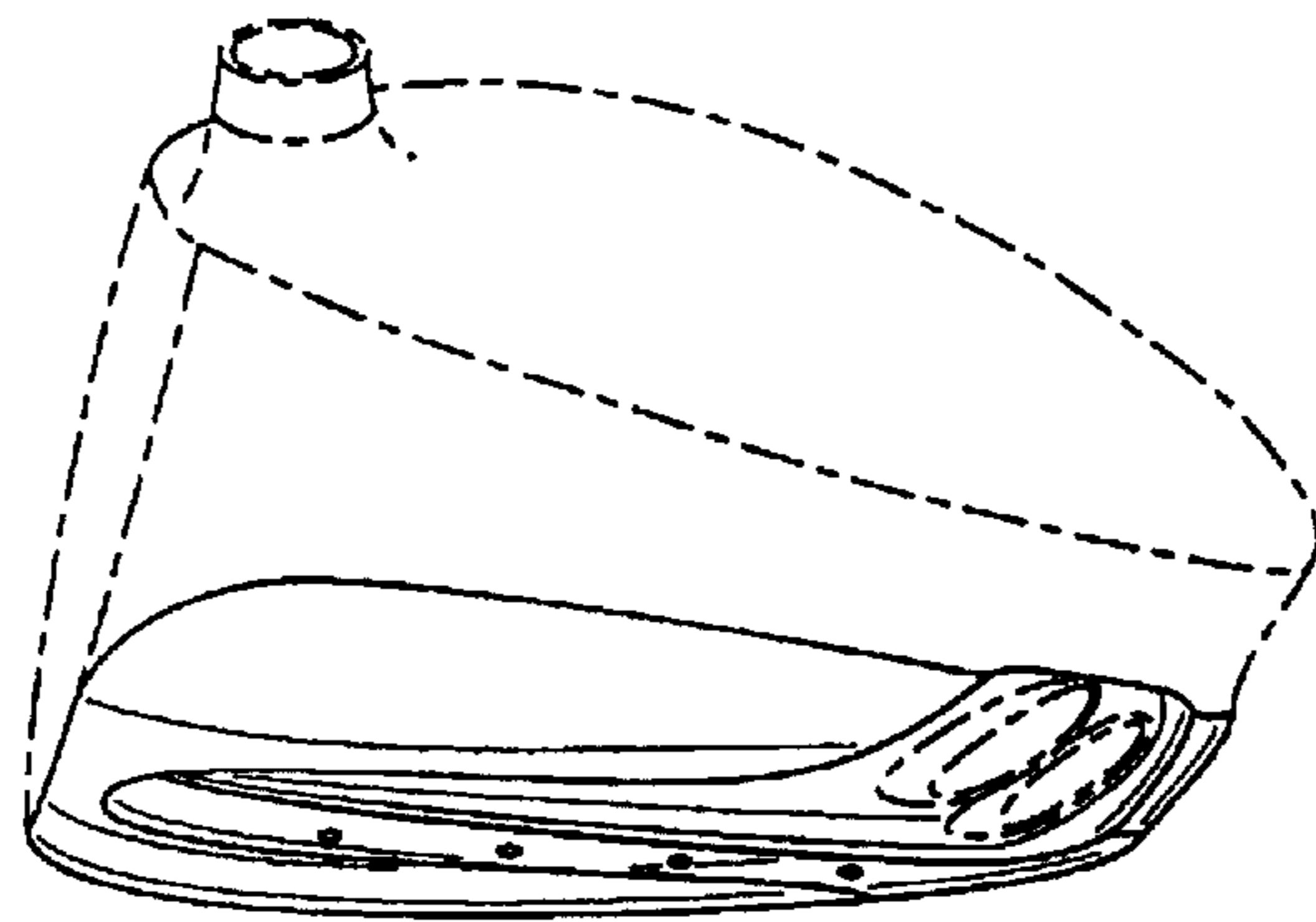


FIG. 14

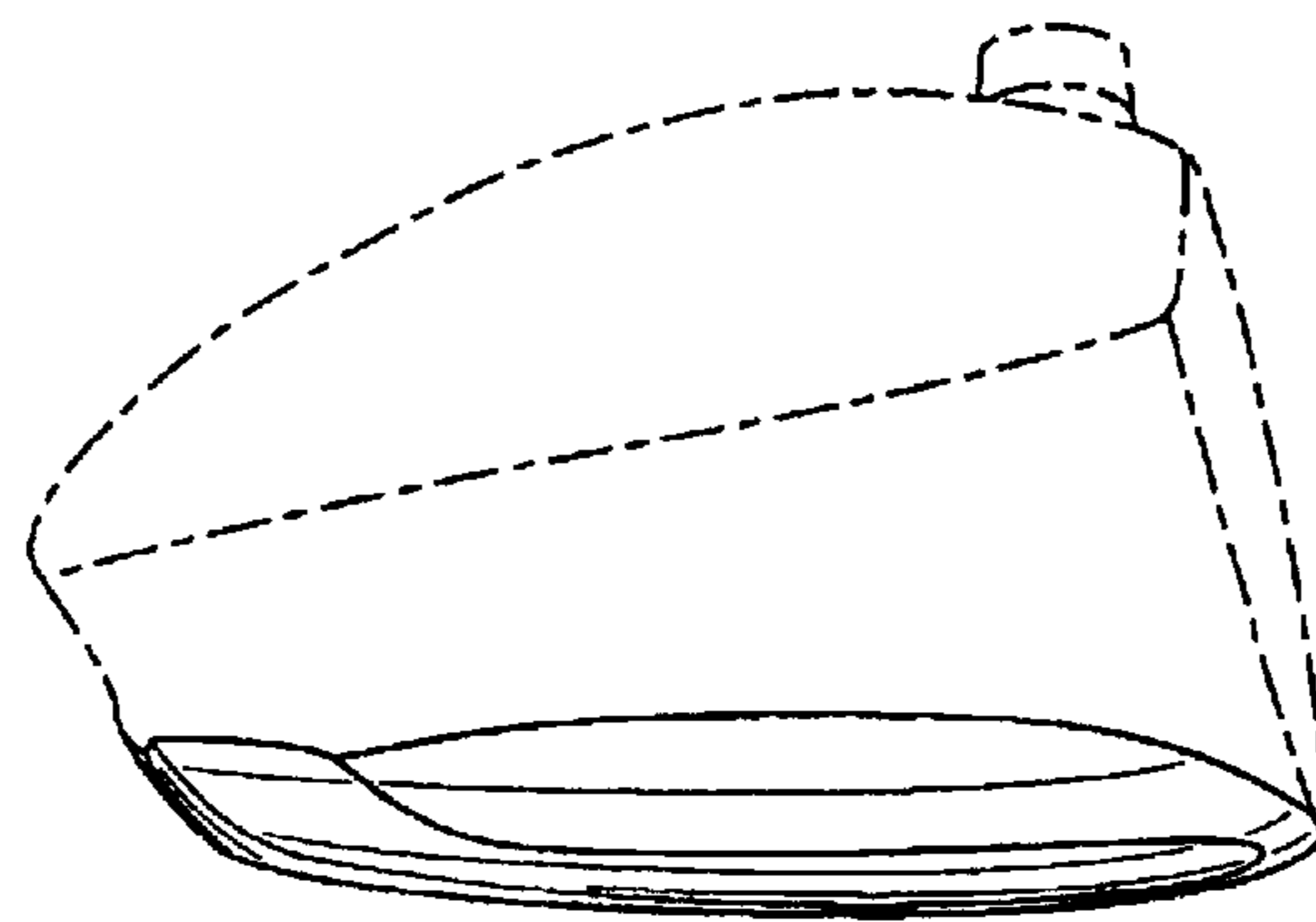


FIG. 15