

US00D545385S

(12) **United States Design Patent**  
**Tang et al.**

(10) **Patent No.:** **US D545,385 S**

(45) **Date of Patent:** **\*\* Jun. 26, 2007**

- (54) **PUTTER HEAD**
  - (75) Inventors: **Larry G. Tang**, Carlsbad, CA (US);  
**Augustin W. Rollinson**, San Diego, CA (US)
  - (73) Assignee: **Callaway Golf Company**, Carlsbad, CA (US)
  - (\*\*) Term: **14 Years**
  - (21) Appl. No.: **29/241,385**
  - (22) Filed: **Oct. 25, 2005**
  - (51) **LOC (8) Cl.** ..... **21-02**
  - (52) **U.S. Cl.** ..... **D21/736**
  - (58) **Field of Classification Search** ..... D21/736-746;  
473/324-331, 340, 341, 251-256
- See application file for complete search history.

- 2,708,579 A 5/1955 Hugman
- D179,002 S 10/1956 Hoffmeister
- D179,246 S 11/1956 Gillon
- 2,781,197 A 2/1957 Wiley
- 2,838,312 A 6/1958 Drake
- 2,957,696 A 10/1960 Warpotas
- 3,021,141 A 2/1962 Polsky et al.
- 3,064,975 A 11/1962 Smith
- D200,585 S 3/1965 Cefaly
- 3,194,564 A 7/1965 Swan
- 3,220,733 A 11/1965 Saleeby
- 3,300,241 A 1/1967 Eberwein et al.
- 3,310,879 A 3/1967 Brzezinski et al.
- 3,328,032 A 6/1967 Griswold
- 3,333,854 A 8/1967 White
- 3,343,839 A 9/1967 Borah
- D209,294 S 11/1967 Hitt
- 3,357,705 A 12/1967 Blanchard
- 3,408,074 A 10/1968 Antonious
- 3,411,789 A 11/1968 Wariner
- D217,487 S 5/1970 Blake

(Continued)

(56) **References Cited**  
U.S. PATENT DOCUMENTS

- 1,485,272 A 2/1924 Kinsman
- 1,526,951 A 2/1925 Beaumont
- 1,546,612 A 7/1925 Barnes
- 1,569,295 A 1/1926 Munson
- 1,652,404 A 12/1927 Graveure
- 1,654,916 A 1/1928 Boyce
- 1,666,174 A 4/1928 Holland
- 1,703,199 A 2/1929 McClure
- D85,510 S 11/1931 Beach
- D90,924 S 10/1933 Replogle
- 1,960,110 A 5/1934 Iles
- 2,002,631 A 5/1935 Fiondella
- D95,819 S 6/1935 Gourlay
- 2,056,335 A 10/1936 Wettlaufer
- 2,057,821 A 10/1936 Costello
- D104,495 S 5/1937 Gallagher
- 2,156,025 A 4/1939 Paul
- 2,447,967 A 8/1948 Stone
- 2,478,468 A 8/1949 Drake

*Primary Examiner*—Mitchell Siegel  
(74) *Attorney, Agent, or Firm*—Michael A. Catania; Elaine H. Lo

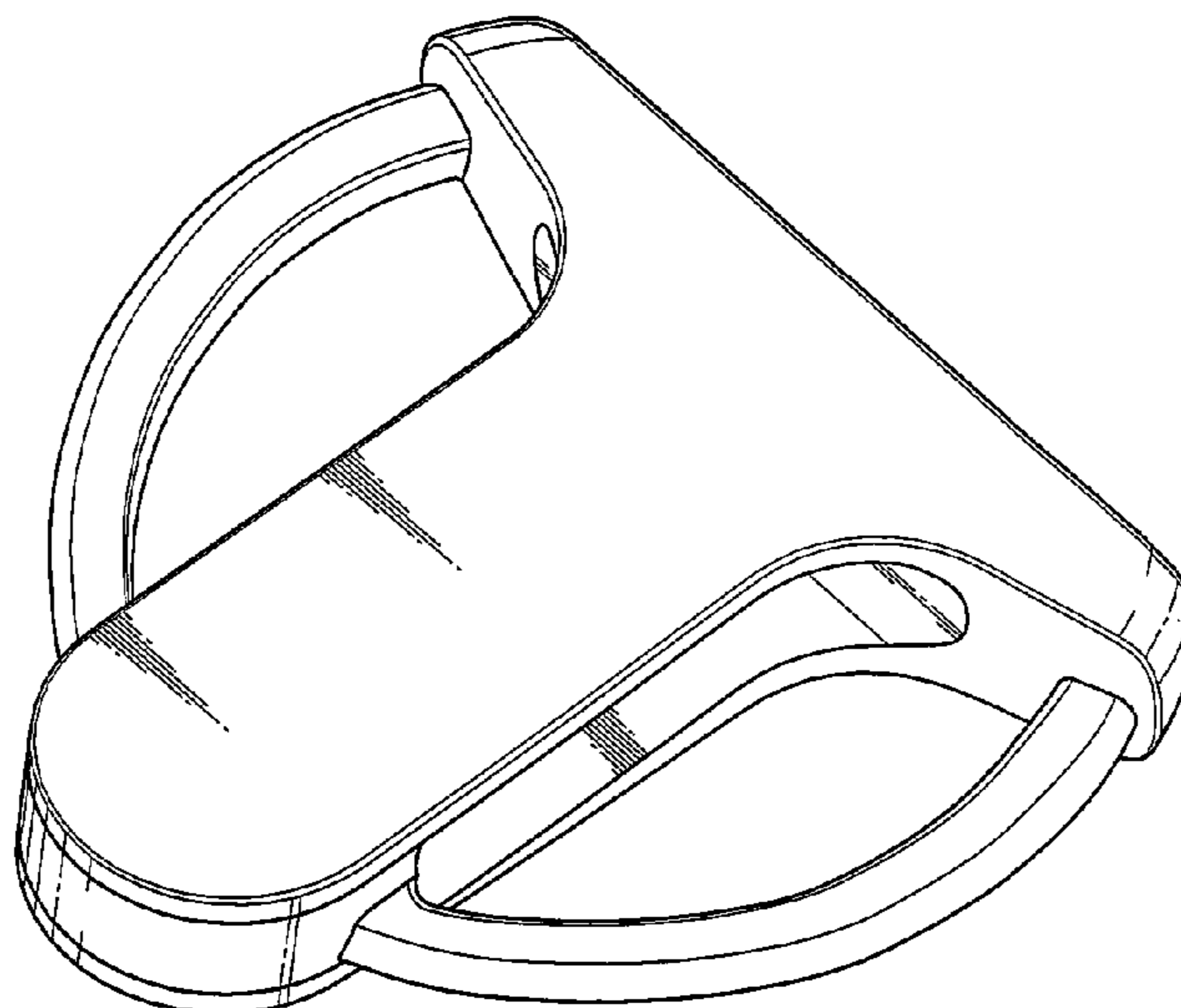
(57) **CLAIM**

The ornamental design for a putter head, as shown and described.

**DESCRIPTION**

FIG. 1 is a top perspective view thereof;  
FIG. 2 is a top plan view thereof;  
FIG. 3 is a front view thereof;  
FIG. 4 is a toe side view thereof;  
FIG. 5 is a rear view thereof; and,  
FIG. 6 is a bottom plan view thereof.

**1 Claim, 2 Drawing Sheets**



# US D545,385 S

Page 2

## U.S. PATENT DOCUMENTS

3,512,262 A	5/1970	Smyk et al.	D317,034 S	5/1991	Pelz	
3,578,332 A	5/1971	Caldwell	D317,962 S	7/1991	Pelz	
3,632,112 A	1/1972	Jacobs	5,685,784 A	11/1997	Butler	
3,708,172 A	1/1973	Rango	D395,692 S	6/1998	Butler	
3,779,398 A	12/1973	Hunter	D422,328 S	4/2000	Lannoch	
D230,293 S	2/1974	Gall	D448,437 S	9/2001	Colucci	
D230,294 S	2/1974	Gall	D458,656 S	6/2002	Tang et al.	
D230,615 S	3/1974	Delgadillo	D461,514 S	8/2002	Tang et al.	
3,806,129 A	4/1974	Burrows	D461,515 S	8/2002	Tang et al.	
3,841,640 A	10/1974	Gaulocher	D461,860 S	8/2002	Tang	
3,841,641 A	10/1974	Bennett	D461,861 S	8/2002	Tang et al.	
D233,616 S	11/1974	Verzillo	D463,002 S	9/2002	Tang et al.	
3,884,477 A	5/1975	Bianco	D467,985 S	12/2002	Tang et al.	
3,918,720 A	11/1975	Gordos	D470,904 S	2/2003	Tang et al.	
D241,563 S	9/1976	McCord	D477,041 S *	7/2003	Cameron .....	D21/742
D245,437 S	8/1977	Thiel	D481,089 S	10/2003	Breier et al.	
D248,050 S	5/1978	Muehl	D493,857 S *	8/2004	Cameron .....	D21/738
D252,221 S	6/1979	Mariani	D494,237 S *	8/2004	Ware .....	D21/736
4,278,254 A	7/1981	Simjian	D496,418 S *	9/2004	Tang et al. ....	D21/738
4,314,701 A	2/1982	Swanson	D502,235 S *	2/2005	Burrows .....	D21/742
4,411,431 A	10/1983	Judice	D502,748 S *	3/2005	Burrows .....	D21/742
4,444,395 A	4/1984	Reiss	D506,796 S *	6/2005	Li .....	D21/742
4,688,798 A	8/1987	Pelz	D507,316 S *	7/2005	Li .....	D21/742
D309,765 S	8/1990	Pelz	D518,127 S *	3/2006	Tang et al. ....	D21/742
D309,766 S	8/1990	Pelz	D520,583 S *	5/2006	Rollinson et al. ....	D21/742

\* cited by examiner

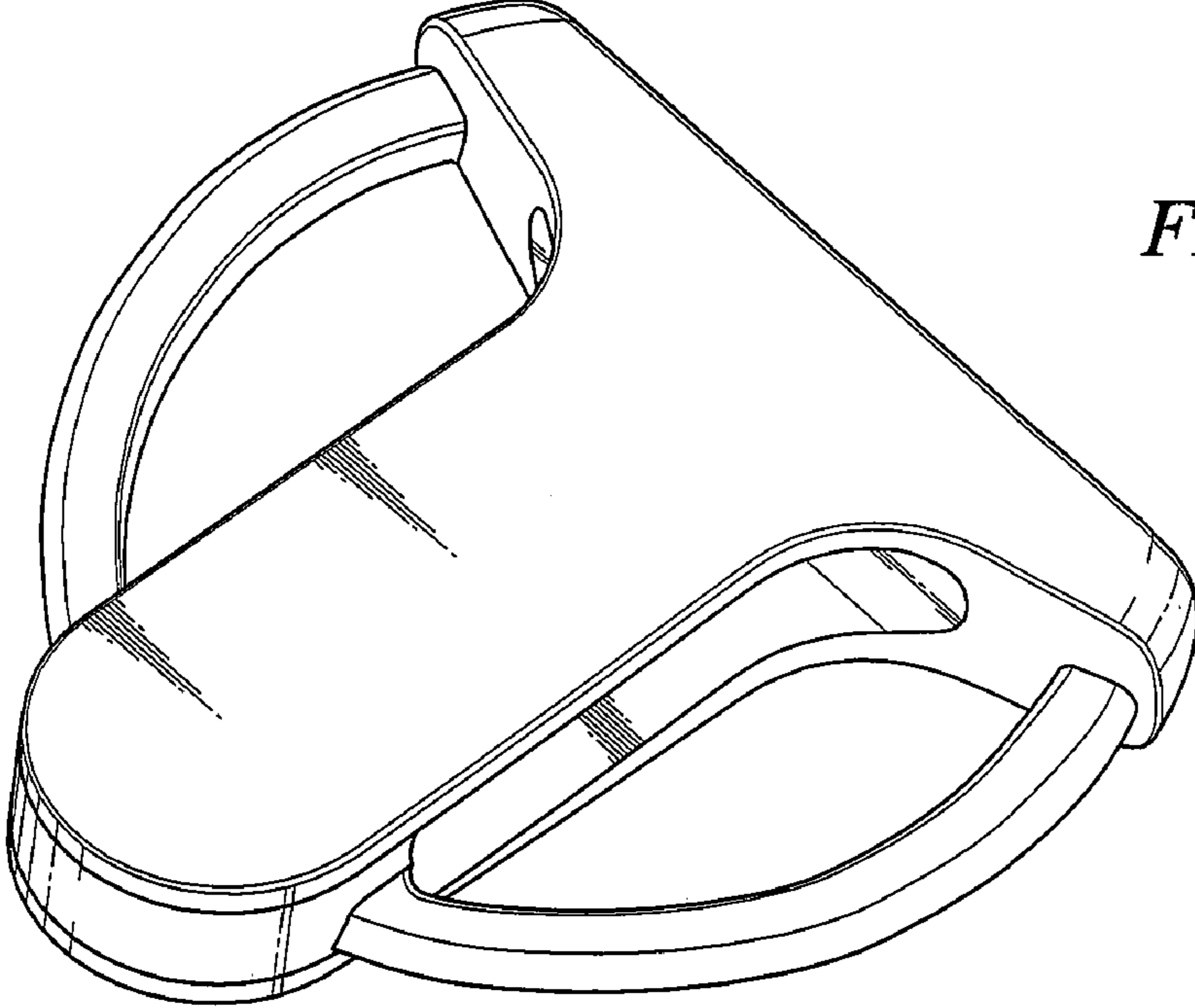


FIG. 1

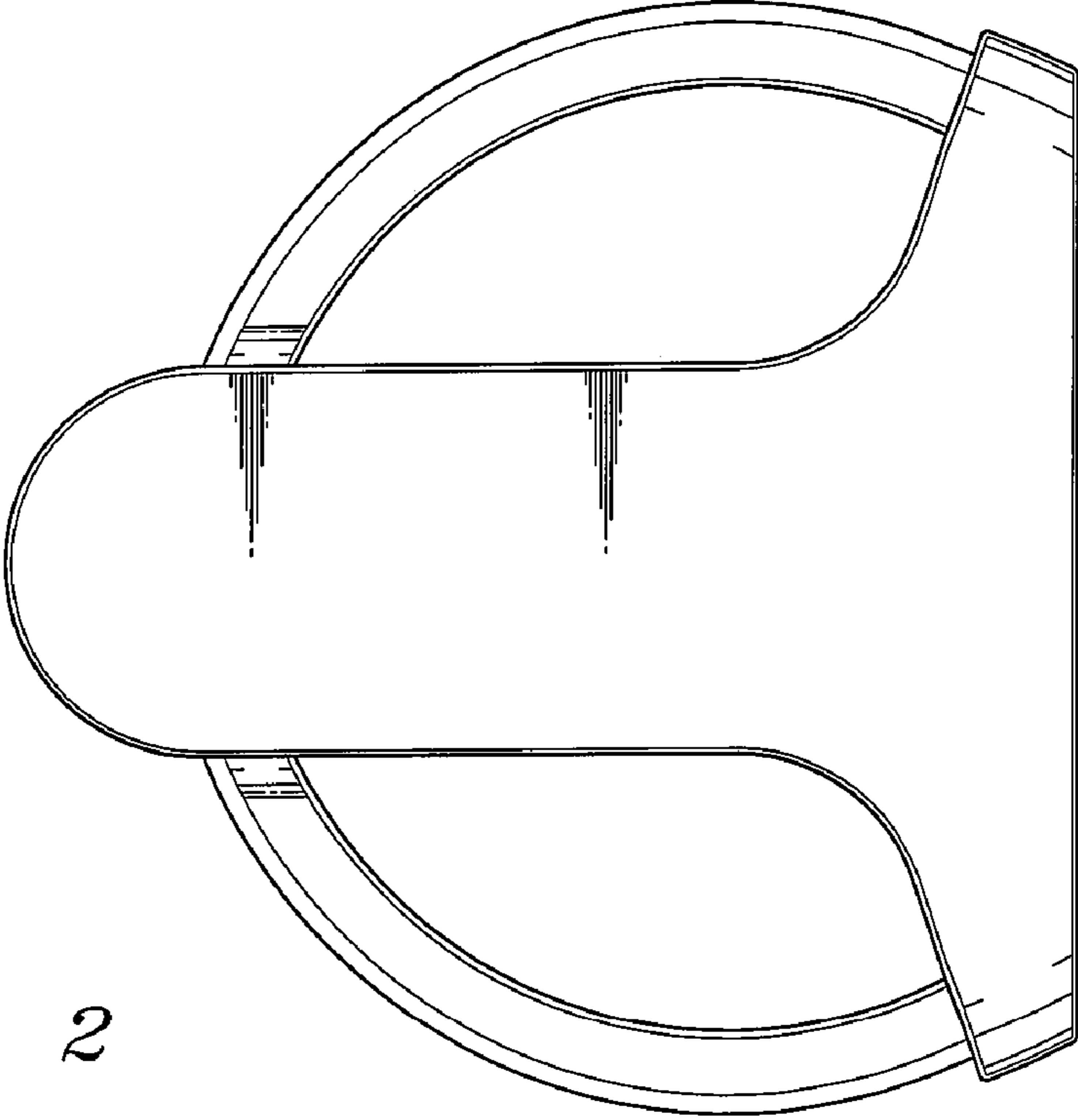
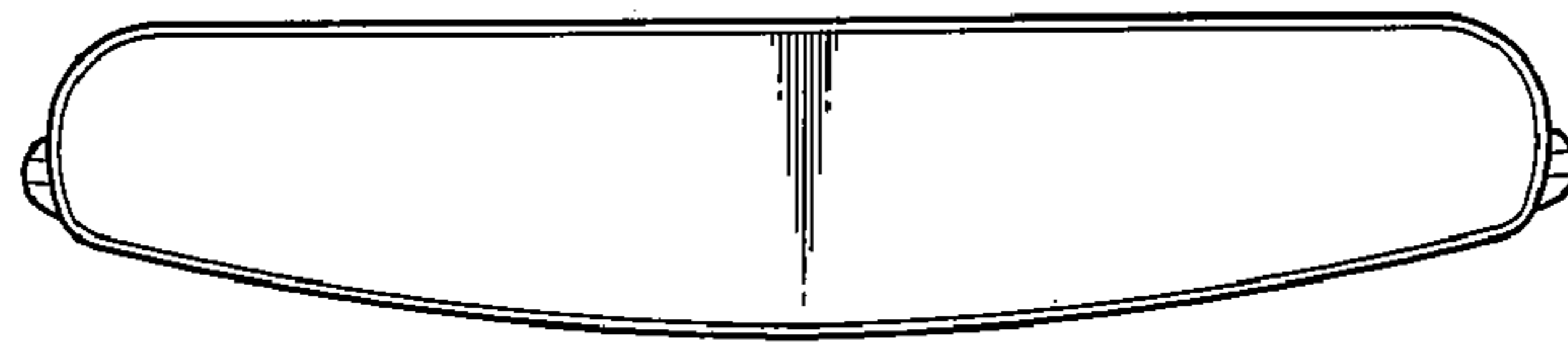
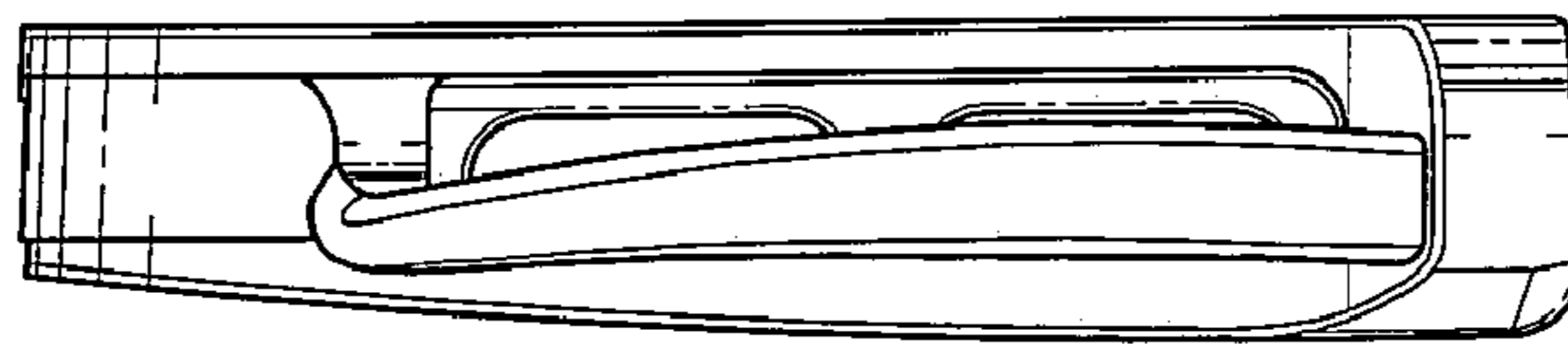


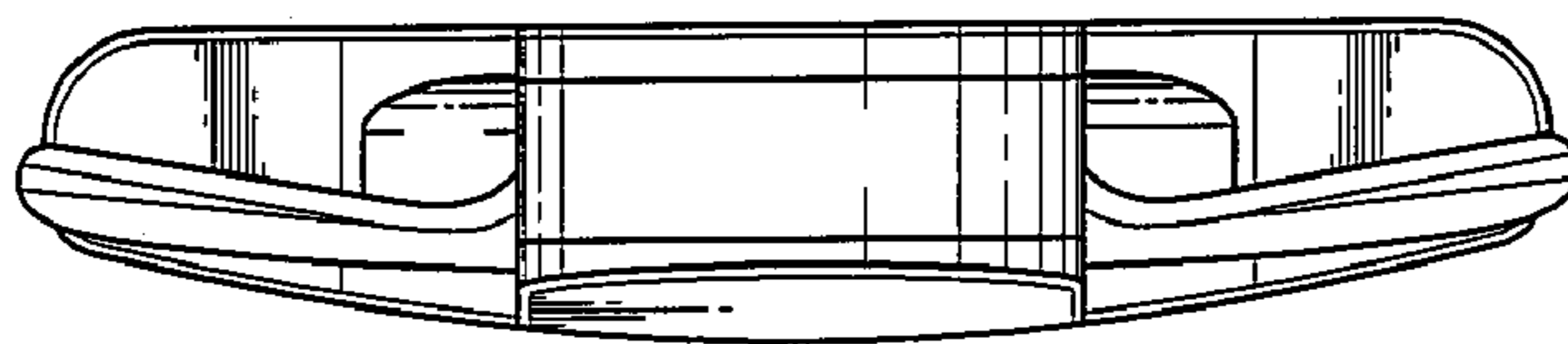
FIG. 2



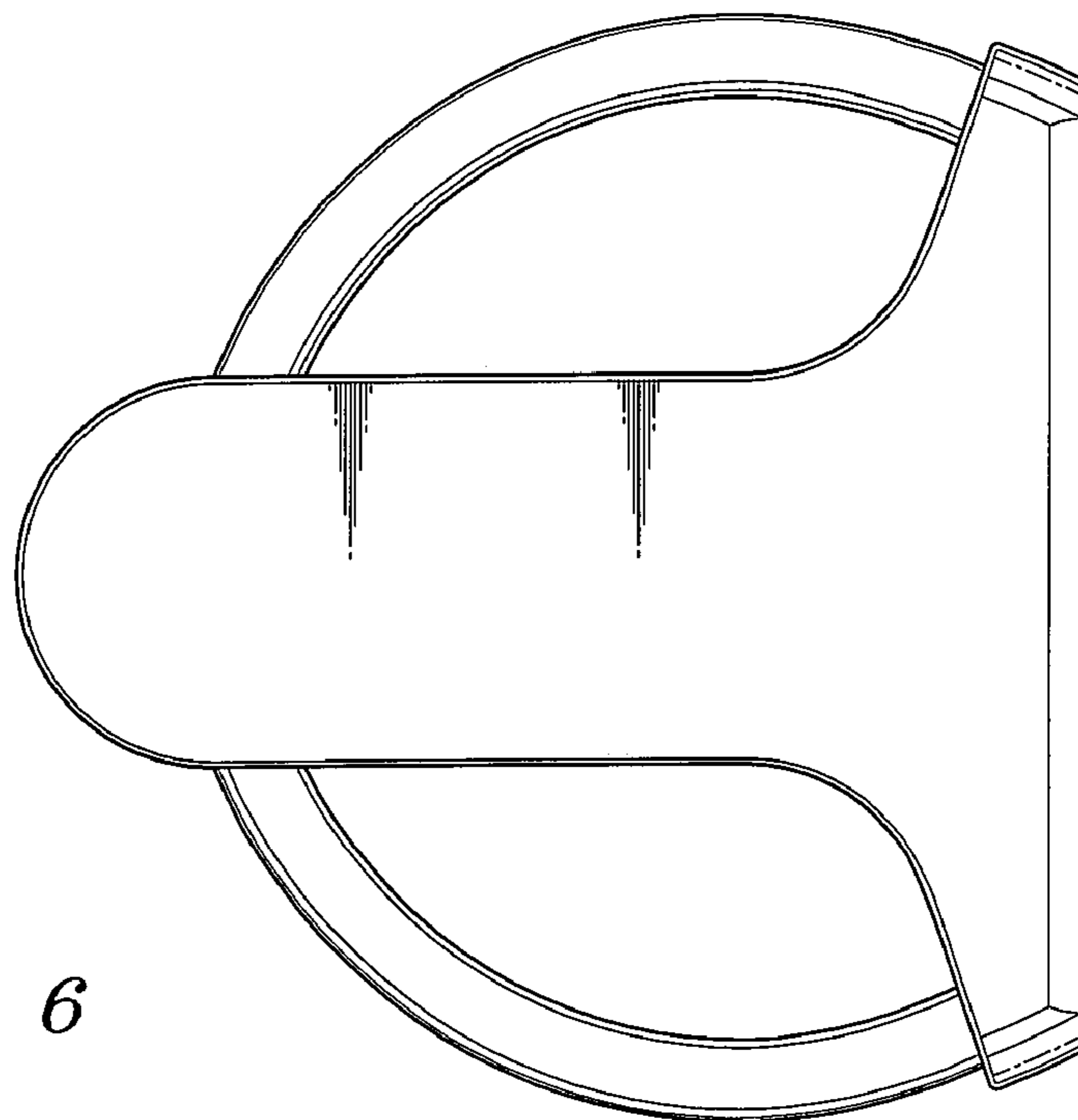
*FIG. 3*



*FIG. 4*



*FIG. 5*



*FIG. 6*