

US00D545383S

(12) **United States Design Patent**
Bingham, Jr. et al.

(10) **Patent No.: US D545,383 S**

(45) **Date of Patent: ** Jun. 26, 2007**

(54) **SEAT FOR EXERCISE MACHINES**

(75) Inventors: **Robert J. Bingham, Jr.**, Everett, WA
(US); **Mark A. Zeh**, Munich (DE)

(73) Assignee: **Lemond Fitness, Inc.**, Woodinville, WA
(US)

(**) Term: **14 Years**

(21) Appl. No.: **29/247,821**

(22) Filed: **Jul. 13, 2006**

Related U.S. Application Data

(62) Division of application No. 29/223,866, filed on Feb. 17, 2005, now Pat. No. Des. 533,608.

(51) **LOC (8) Cl.** **21-02**

(52) **U.S. Cl.** **D21/695; D6/502**

(58) **Field of Classification Search** D21/695,
D21/662, 676, 690, 686, 666; 482/142, 57,
482/129, 130, 136, 137, 138, 97, 96, 104;
D6/366, 502, 349, 354, 355, 352; 297/284.1,
297/284.4, 284.7

See application file for complete search history.

(56) **References Cited**

U.S. PATENT DOCUMENTS

D320,826 S	10/1991	Hildebrandt et al.	
D321,225 S	10/1991	Solow et al.	
D340,961 S	11/1993	Miller	
D353,422 S	12/1994	Bostic et al.	
D386,023 S	11/1997	Stumpf et al.	
D403,032 S	12/1998	Huang	
D437,039 S	1/2001	Yamazaki et al.	
D437,369 S	2/2001	Tsushi	
D449,457 S *	10/2001	Su	D6/366

D451,293 S *	12/2001	Su	D6/366
D453,079 S *	1/2002	Ma	D6/366
D461,210 S	8/2002	Fon	
6,572,190 B2 *	6/2003	Koepke et al.	297/284.1
D479,656 S *	9/2003	Ma	D6/366
D482,218 S	11/2003	Lin	
D489,191 S *	5/2004	Ma	D6/366
D493,627 S *	8/2004	Ma	D6/366
6,843,530 B1 *	1/2005	Wu	297/284.4
D513,421 S	3/2006	Nagano	
7,066,537 B2 *	6/2006	Coffield et al.	297/284.4
D534,384 S *	1/2007	Su	D6/502

* cited by examiner

Primary Examiner—Philip S Hyder

(74) *Attorney, Agent, or Firm*—George C. Rondeau, Jr.;
Davis Wright Tremaine LLP

(57) **CLAIM**

The ornamental design for a seat for exercise machines, as shown and described.

DESCRIPTION

FIG. 1 is a front perspective view of a seat for exercise machines showing our new design.

FIG. 2 is a rear perspective view thereof.

FIG. 3 is a front elevational view thereof.

FIG. 4 is a rear elevational view thereof.

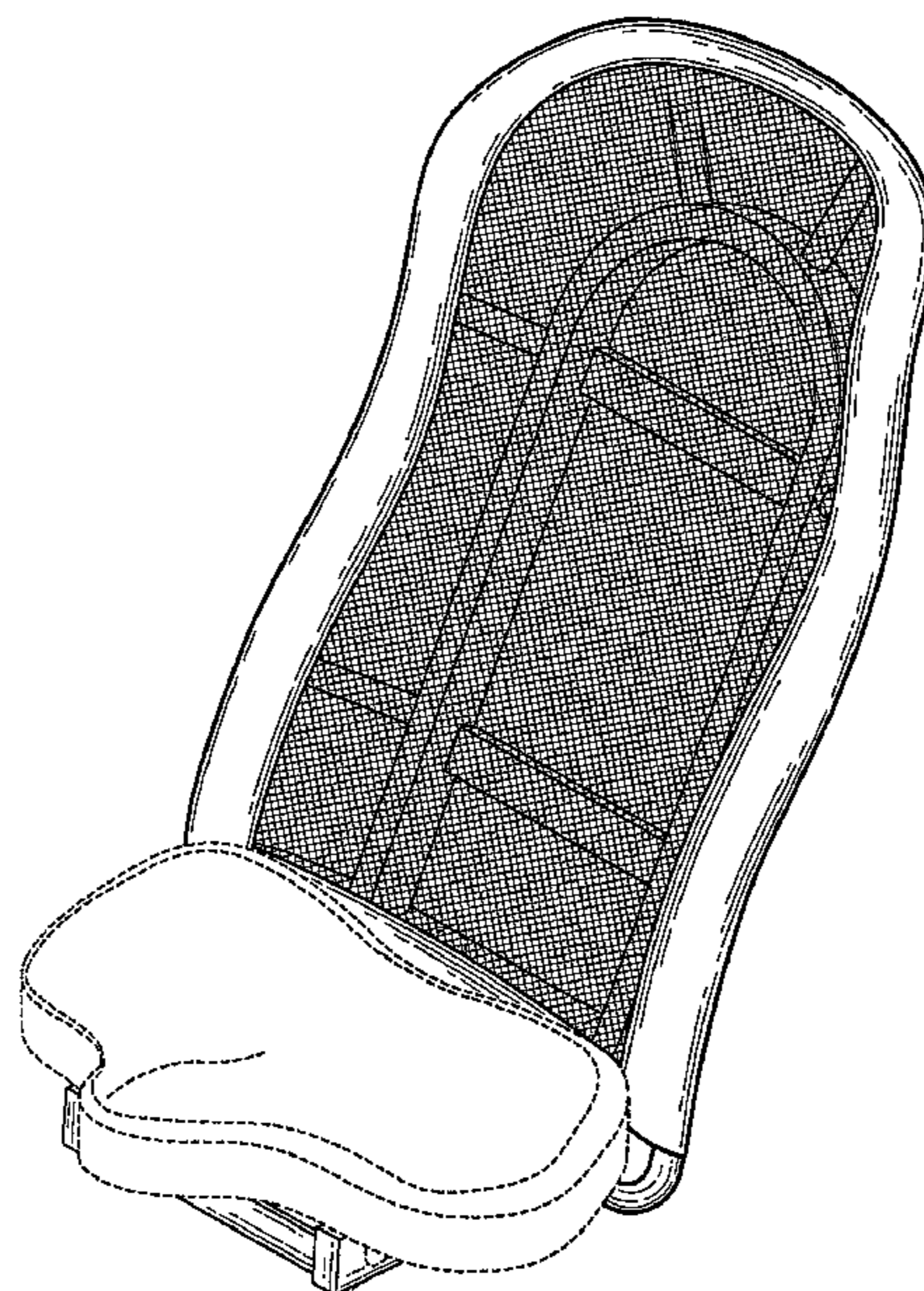
FIG. 5 is a left side elevational view thereof, the right side elevational view being a mirror image thereof.

FIG. 6 is a top plan view thereof; and,

FIG. 7 is a bottom plan view thereof.

The broken lines are for illustrative purposes only and form no part of the claimed design.

1 Claim, 7 Drawing Sheets



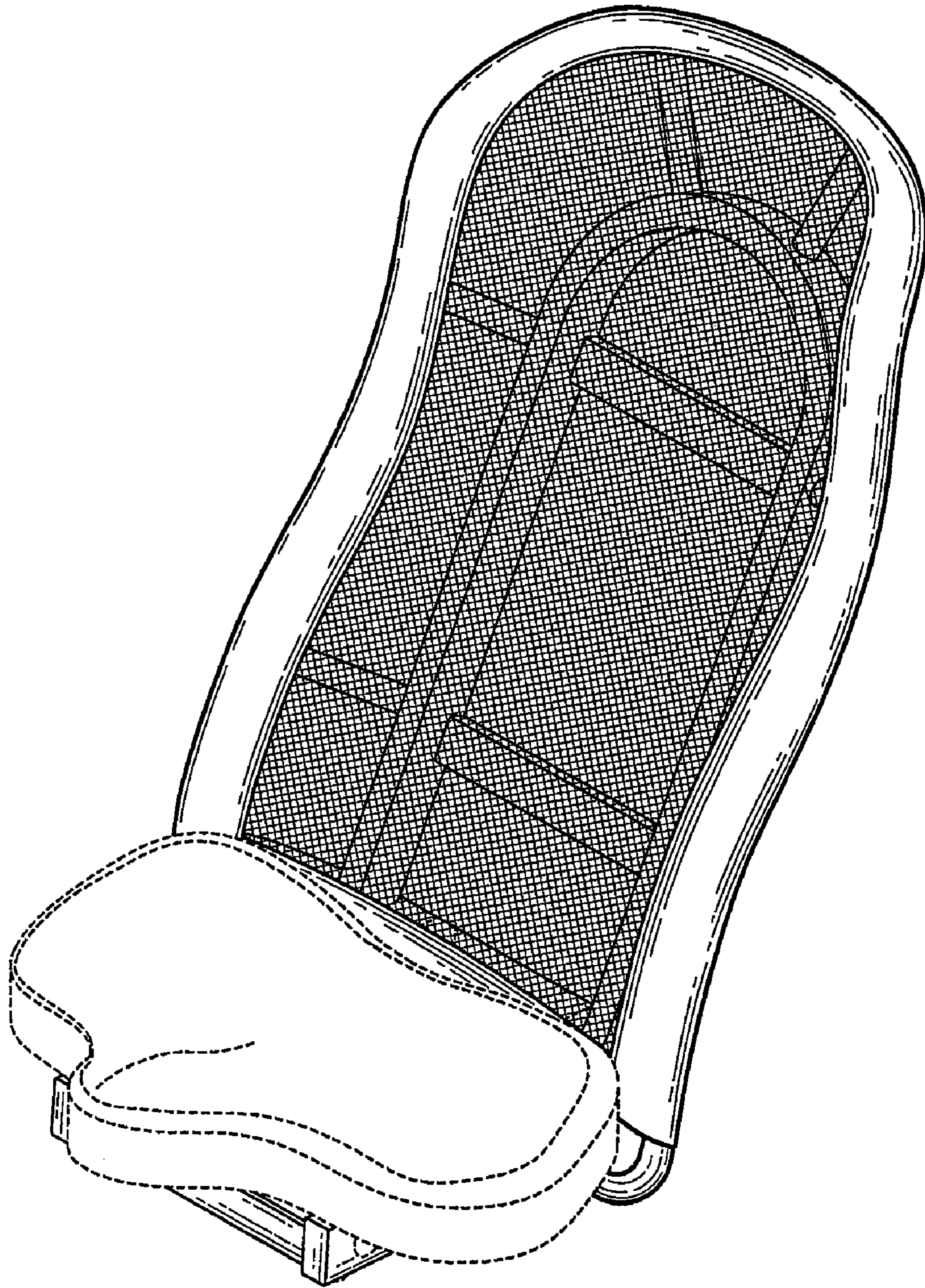


Fig. 1

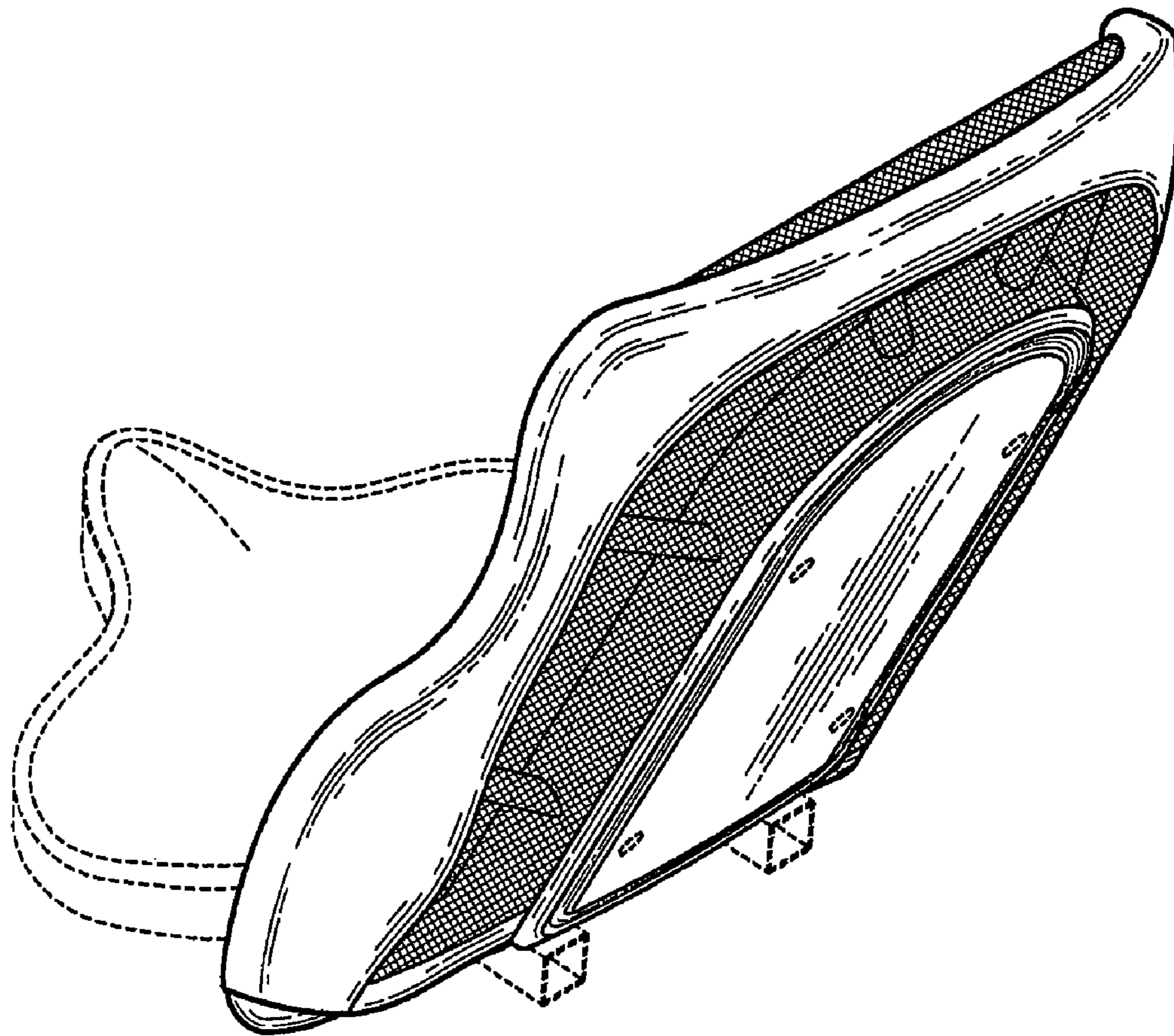


Fig. 2

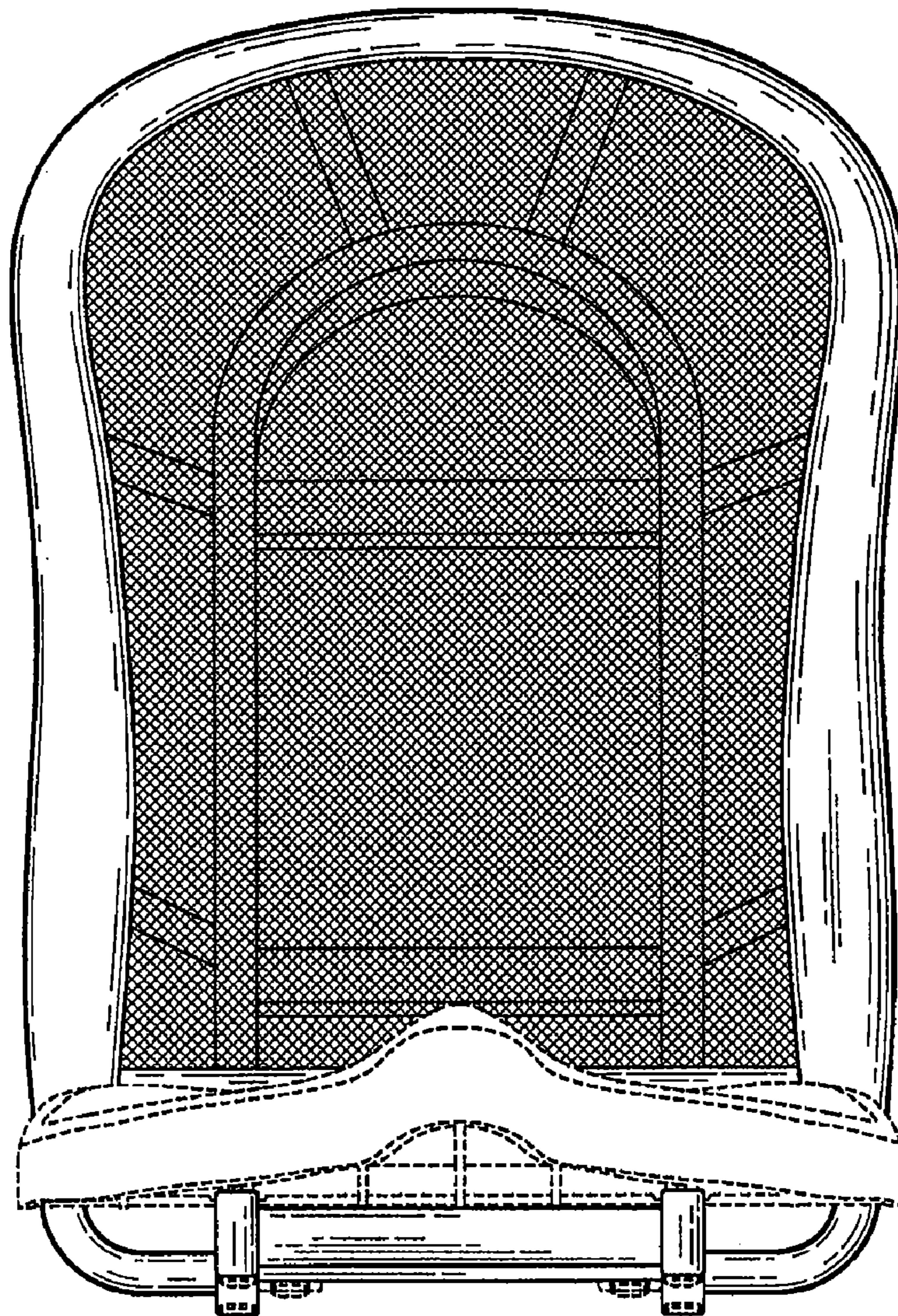


Fig. 3

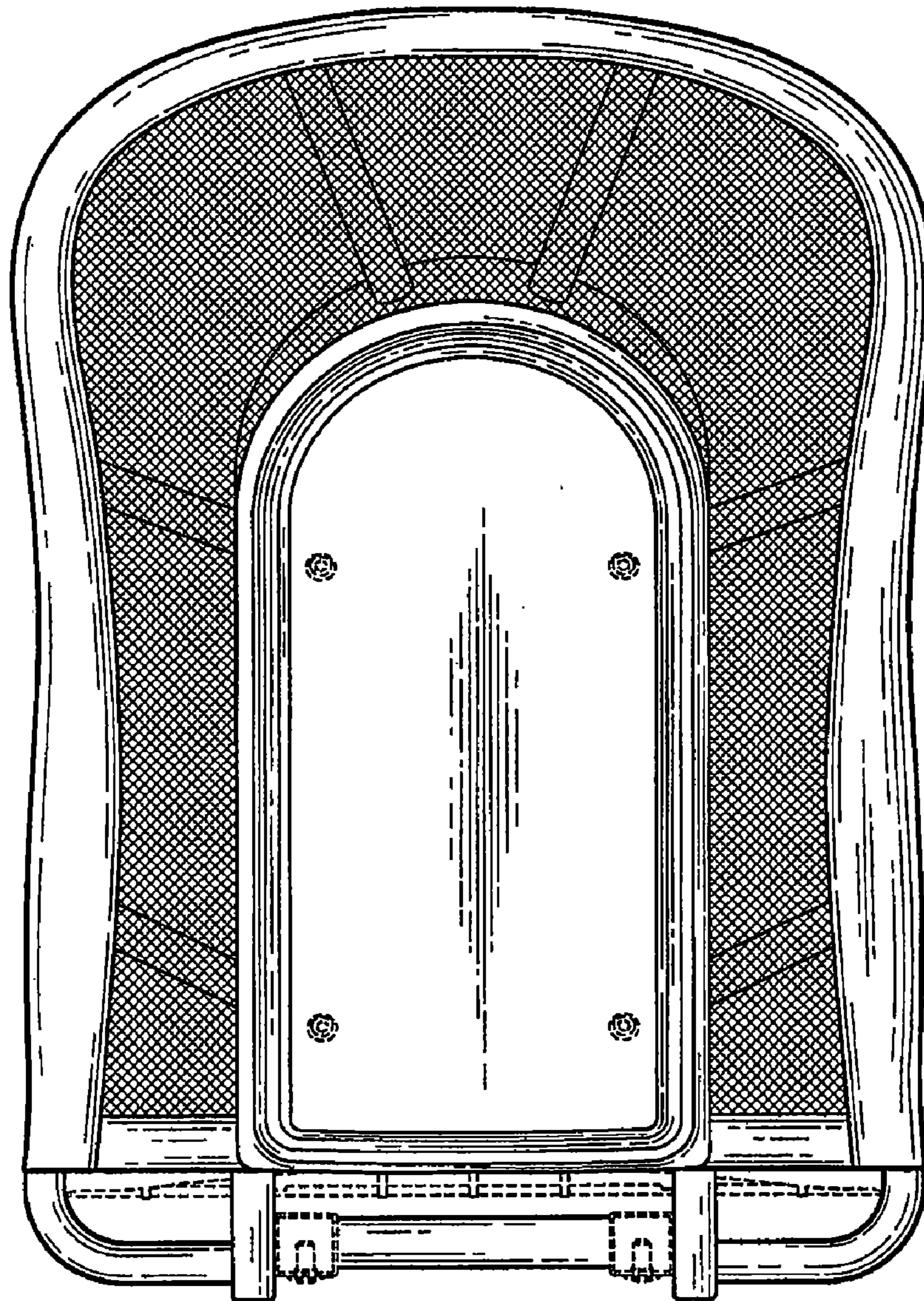


Fig. 4

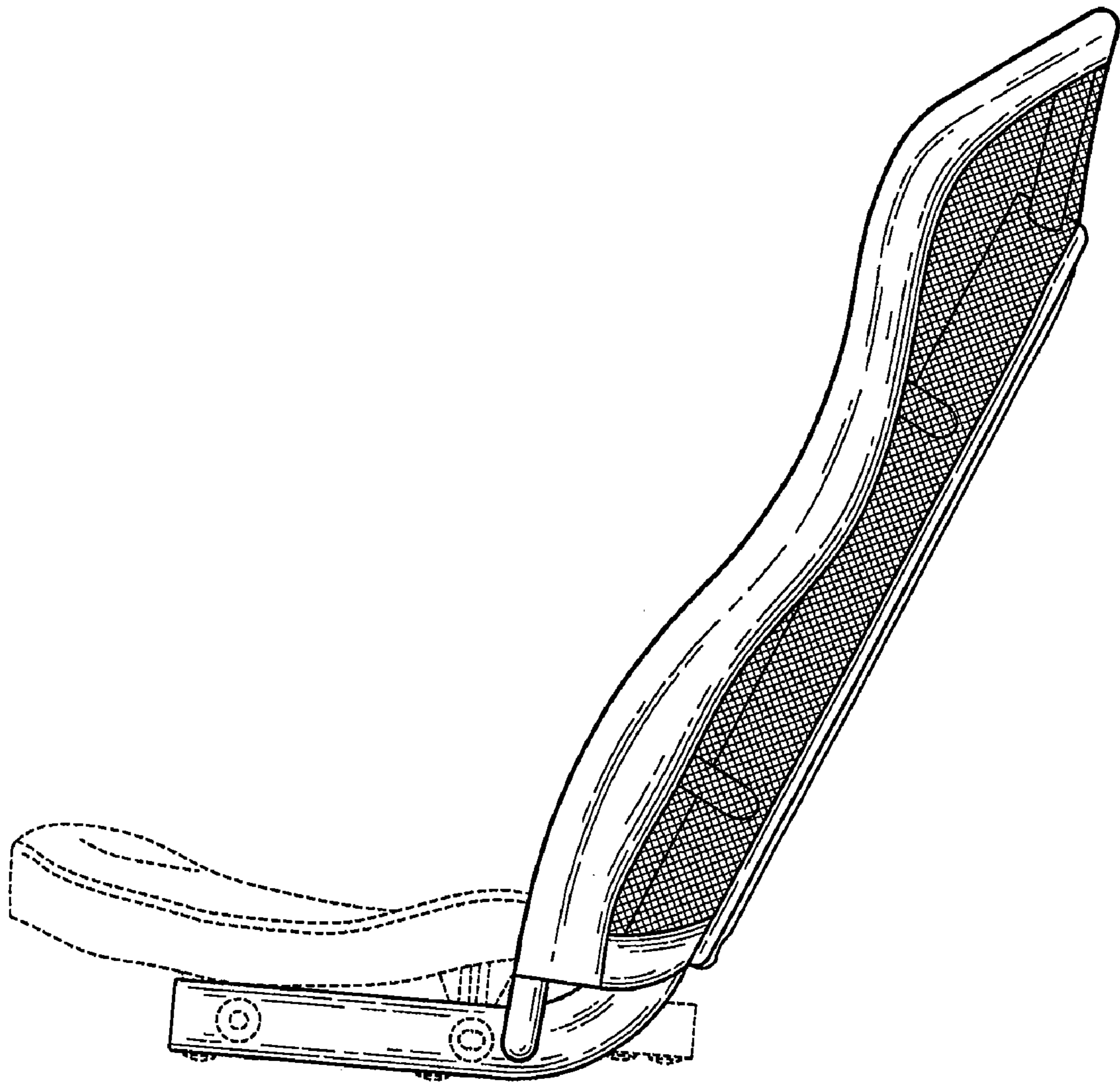


Fig. 5

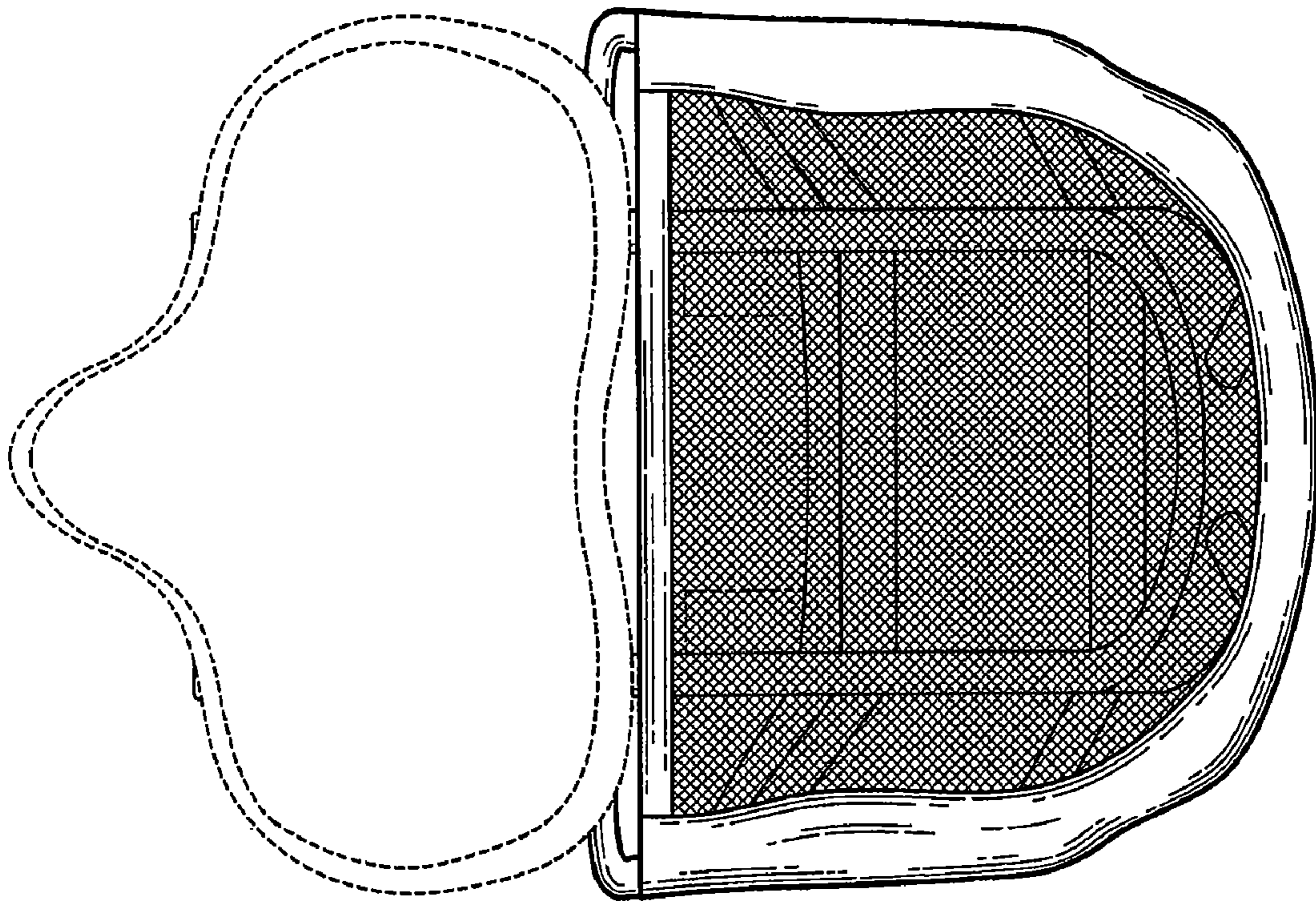


Fig. 6

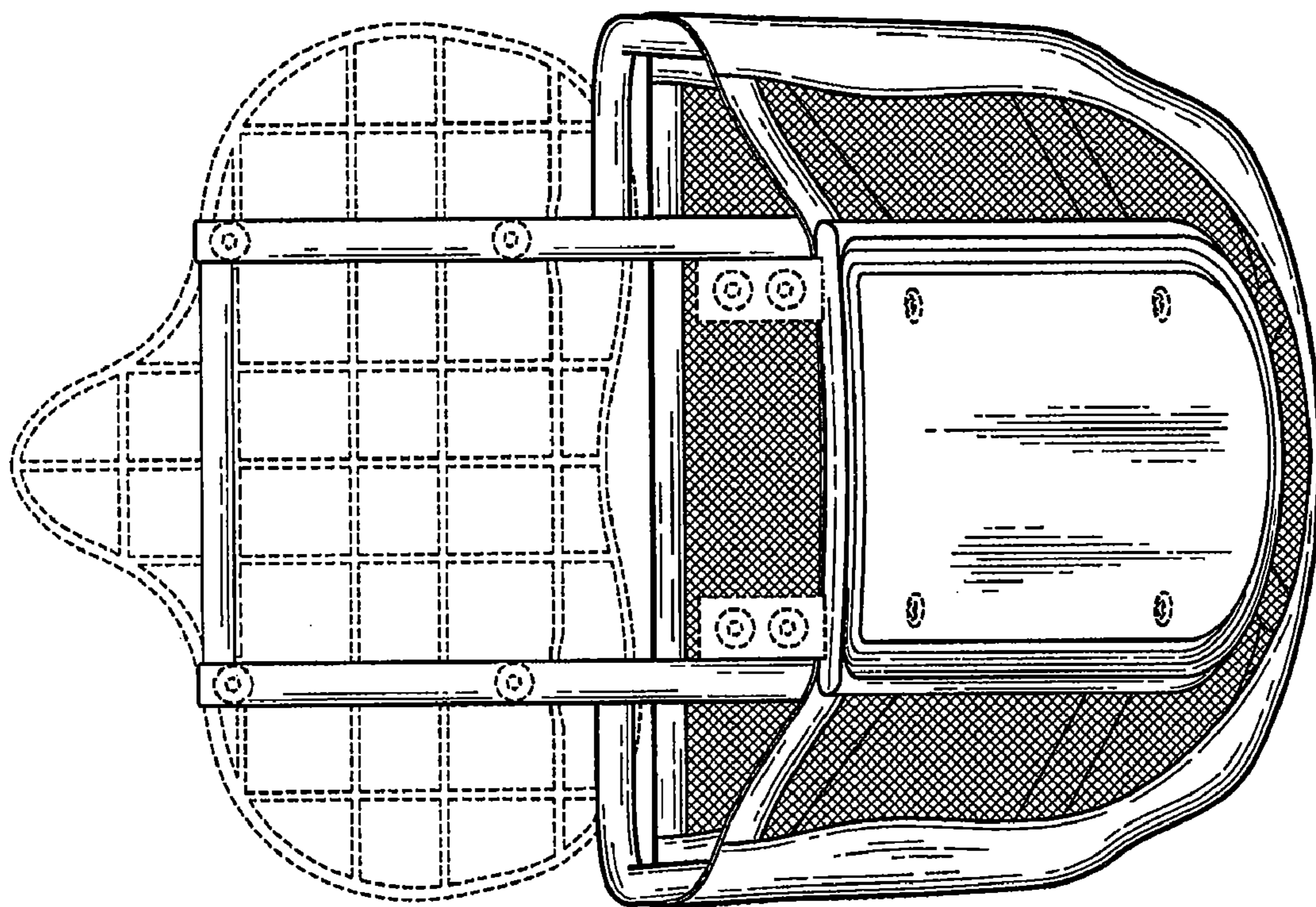


Fig. 7