

US00D545381S

(12) **United States Design Patent**  
**Sorensen**

(10) **Patent No.:** **US D545,381 S**

(45) **Date of Patent:** **\*\* Jun. 26, 2007**

(54) **TOY BUILDING ELEMENT**

(76) **Inventor:** **Soren Christian Sorensen**, P. O. Box  
31096 SMB Seven Mile Beach, Grand  
Cayman (KY)

(\*\*) **Term:** **14 Years**

(21) **Appl. No.:** **29/230,171**

(22) **Filed:** **May 17, 2005**

(51) **LOC (8) Cl.** ..... **21-01**

(52) **U.S. Cl.** ..... **D21/484**

(58) **Field of Classification Search** ..... D21/483,  
D21/484-486, 489-494, 499-506; D25/113-118;  
446/69, 85, 101-128; 434/403  
See application file for complete search history.

(56) **References Cited**

**U.S. PATENT DOCUMENTS**

D360,908 S *	8/1995	Ruszkai	.....	D21/501
5,848,927 A *	12/1998	Frederiksen	.....	446/128
5,913,706 A	6/1999	Glickman et al.		
6,162,108 A *	12/2000	Frederiksen	.....	446/102
6,447,360 B1	9/2002	Sorensen		
6,616,499 B1	9/2003	Sorensen		

\* cited by examiner

*Primary Examiner*—Holly H Baynham

*Assistant Examiner*—Cynthia M. Chin

(74) *Attorney, Agent, or Firm*—Edward W. Callan

(57) **CLAIM**

The ornamental design for a toy building element, as shown and described.

**DESCRIPTION**

It is intended that the toy building element of the present invention be used in a set of toy building elements that are capable of being interconnected in a releasable engagement.

FIG. 1 is a top perspective view of the toy building element.

FIG. 2 is a bottom perspective view of the toy building element shown in FIG. 1.

FIG. 3 is a front view of the toy building element shown in FIG. 1, the rear and side views being identical.

FIG. 4 is a top view of the toy building element shown in FIG. 1; and,

FIG. 5 is an enlarged bottom view of the toy building element shown in FIG. 1.

The interior of the toy building element, which is shown in broken lines for illustrative purposes only, does not form part of the claimed design.

**1 Claim, 3 Drawing Sheets**

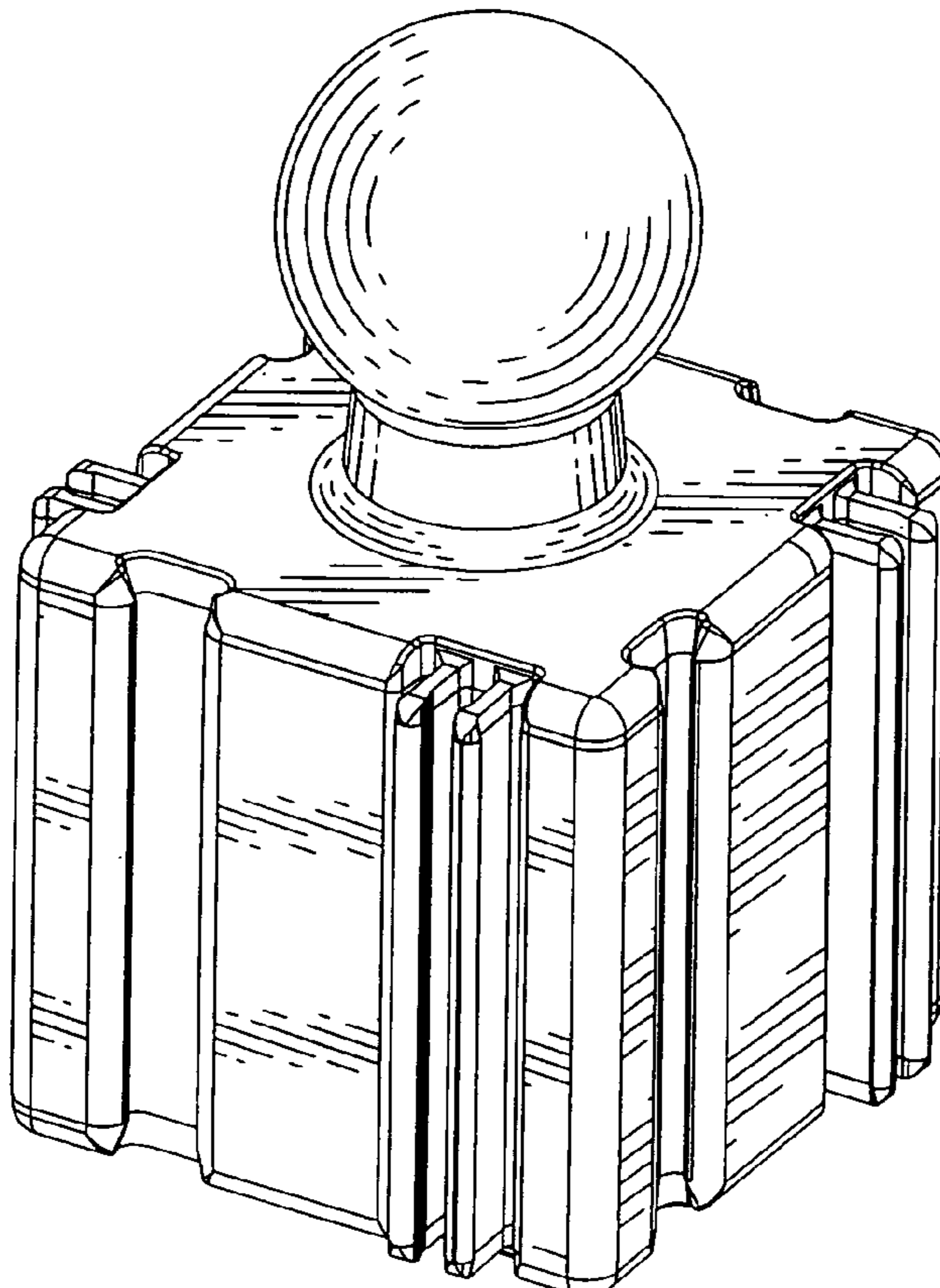


FIG. 1

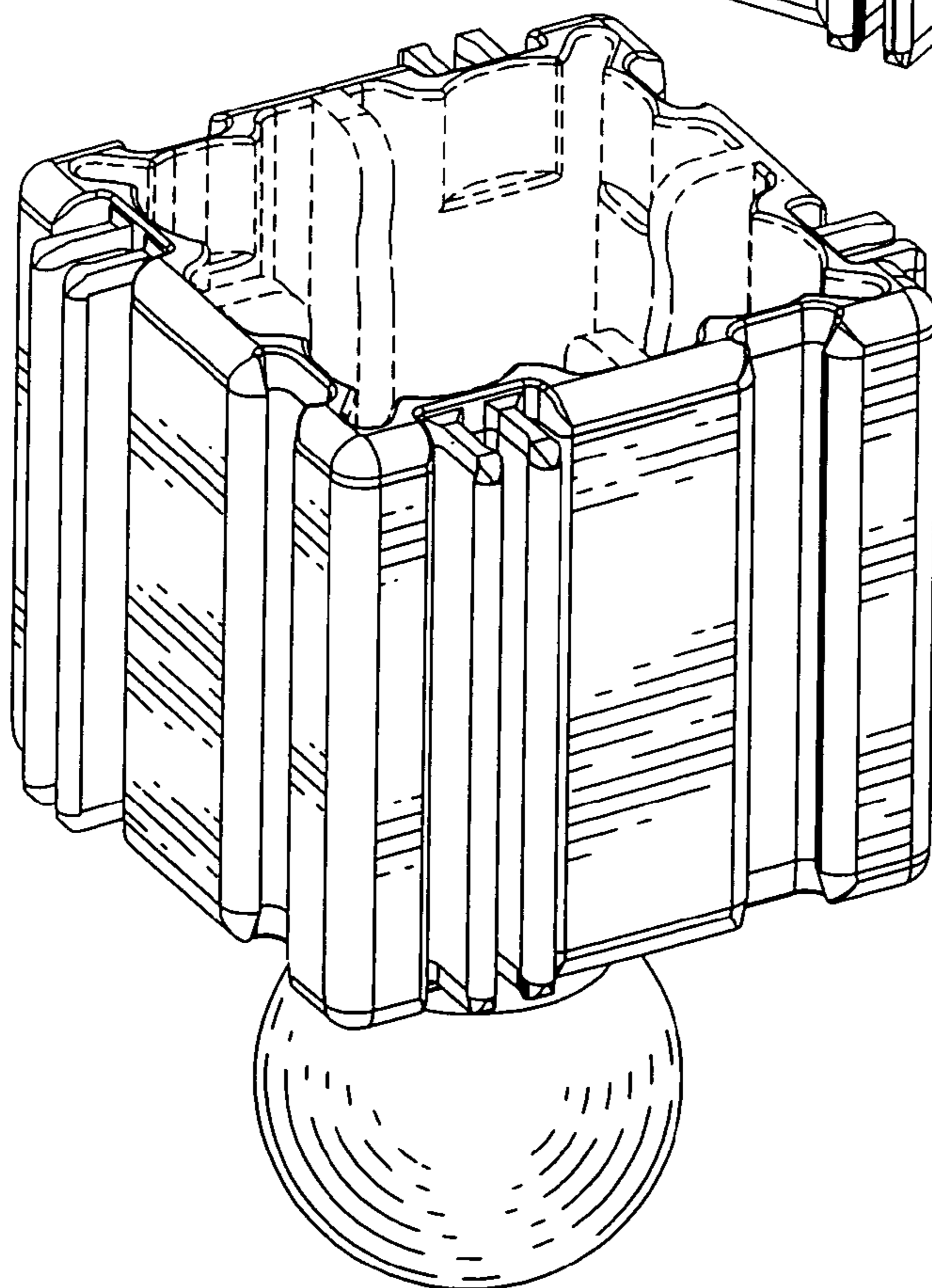
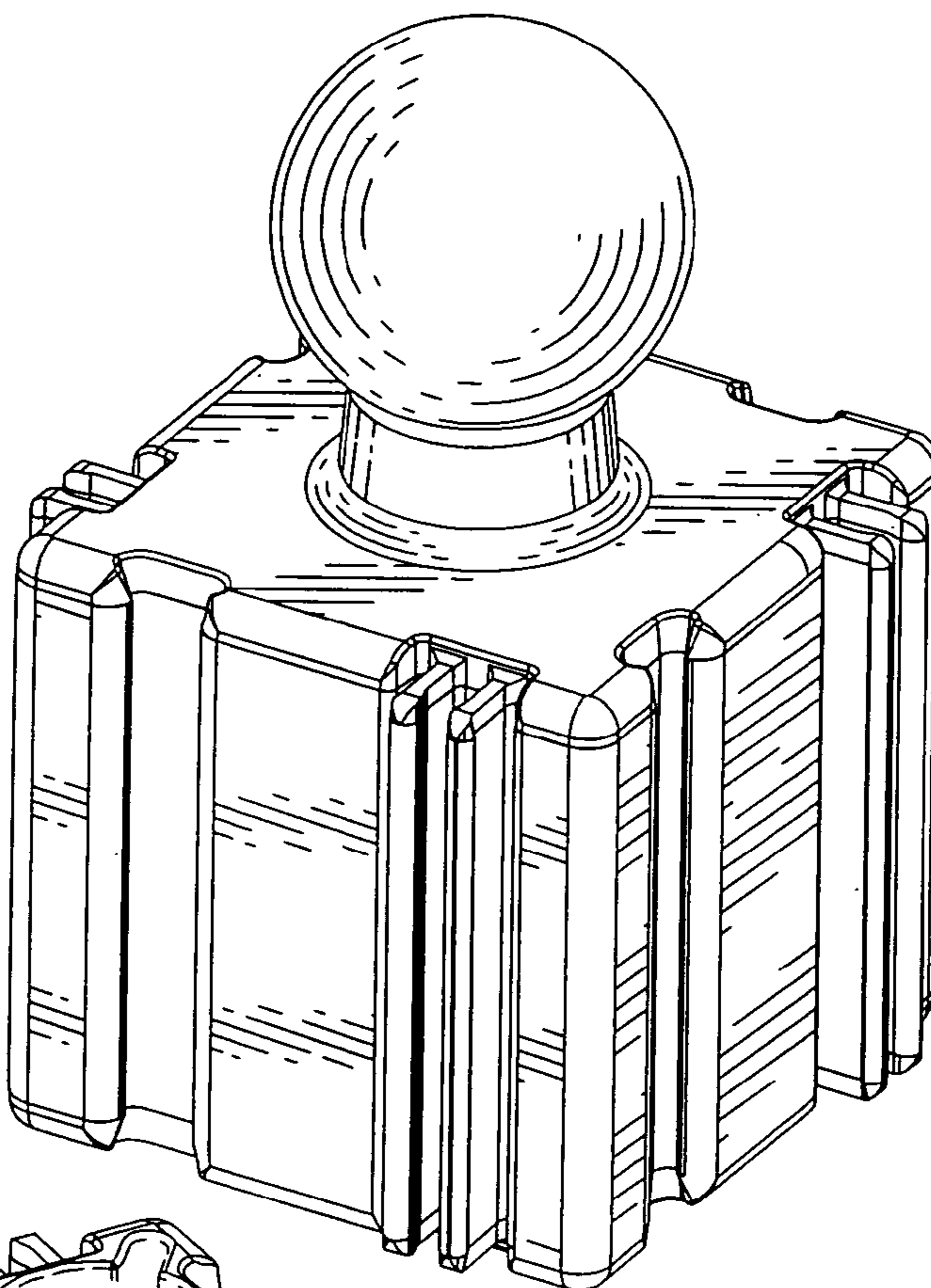


FIG. 2

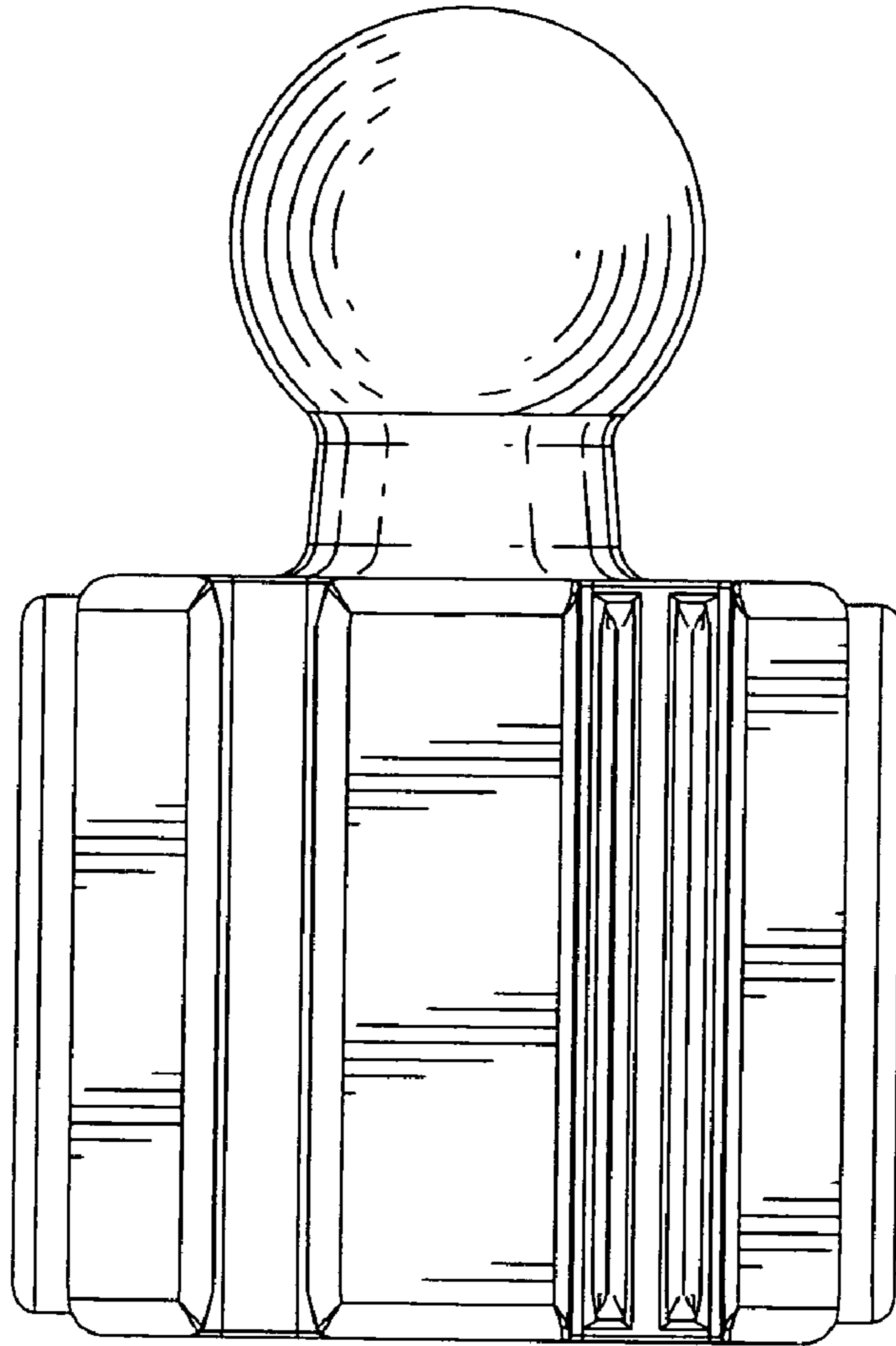


FIG. 3

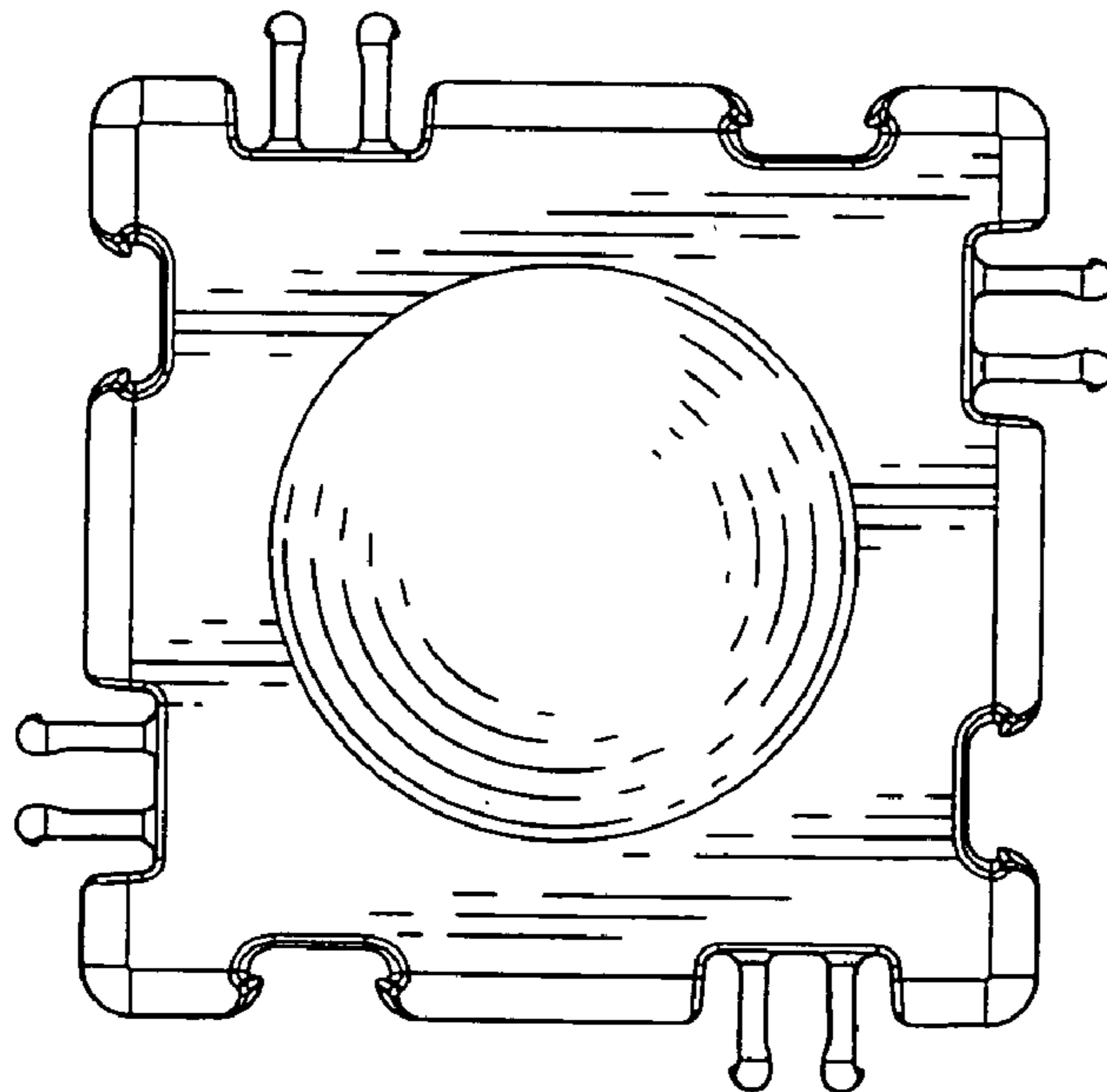


FIG. 4

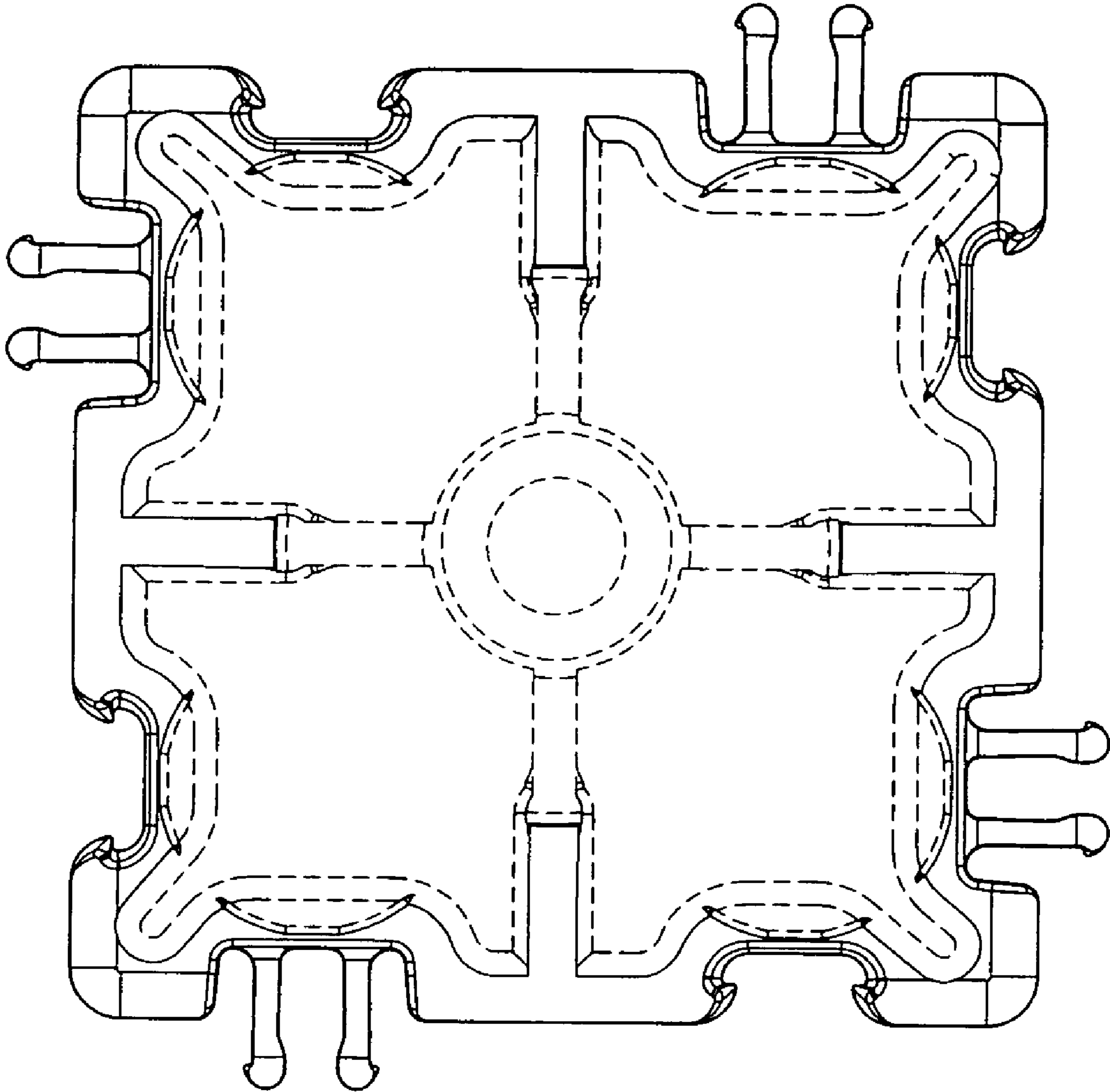


FIG. 5