

US00D545378S

(12) **United States Design Patent**
Cropp

(10) **Patent No.:** **US D545,378 S**

(45) **Date of Patent:** **** Jun. 26, 2007**

(54) **VIDEO GAME SIMULATOR COCKPIT**

(75) Inventor: **Gregory Russell Cropp**, 3011 Dahlia St., Denver, CO (US) 80207

(73) Assignee: **Gregory Russell Cropp**, Denver, CO (US)

(**) Term: **14 Years**

(21) Appl. No.: **29/218,899**

(22) Filed: **Dec. 10, 2004**

(51) **LOC (8) Cl.** **21-01**

(52) **U.S. Cl.** **D21/325**

(58) **Field of Classification Search** D21/324-328, D21/333, 334; 273/148 B, 309, 148 R, 459; 463/1, 46, 47; 248/127, 133, 146, 155.1, 248/371, 176.1; 108/25, 33, 150

See application file for complete search history.

(56) **References Cited**

U.S. PATENT DOCUMENTS

D253,293 S *	10/1979	Takaichi et al.	D21/326
D275,772 S *	10/1984	Akopian et al.	D21/326
5,114,157 A *	5/1992	Kita	463/29
5,207,791 A *	5/1993	Scherbarth	273/148 B
5,209,478 A *	5/1993	Simpson	273/148 B
5,320,313 A	6/1994	Crowe	
5,573,320 A	11/1996	Shearer	
D384,705 S *	10/1997	Muraki et al.	D21/326

6,092,867 A	7/2000	Miller	
6,251,015 B1 *	6/2001	Caprai	463/36
D446,263 S	8/2001	Heys	
6,290,229 B1 *	9/2001	Perez	273/148 R
D459,759 S *	7/2002	Shepherd et al.	D21/333
D470,899 S	2/2003	Goh	
D471,594 S *	3/2003	Nojo	D21/326
6,688,984 B2 *	2/2004	Cole	463/46
D493,843 S *	8/2004	Jackson et al.	D21/327
6,776,104 B2	8/2004	Herbst	

* cited by examiner

Primary Examiner—Prabhakar Deshmukh

(57) **CLAIM**

I claim the ornamental design for a video game simulator cockpit, as shown and described.

DESCRIPTION

FIG. 1 is a perspective view of a video game simulator cockpit showing my new design;

FIG. 2 is a front view thereof

FIG. 3 is a left side view thereof

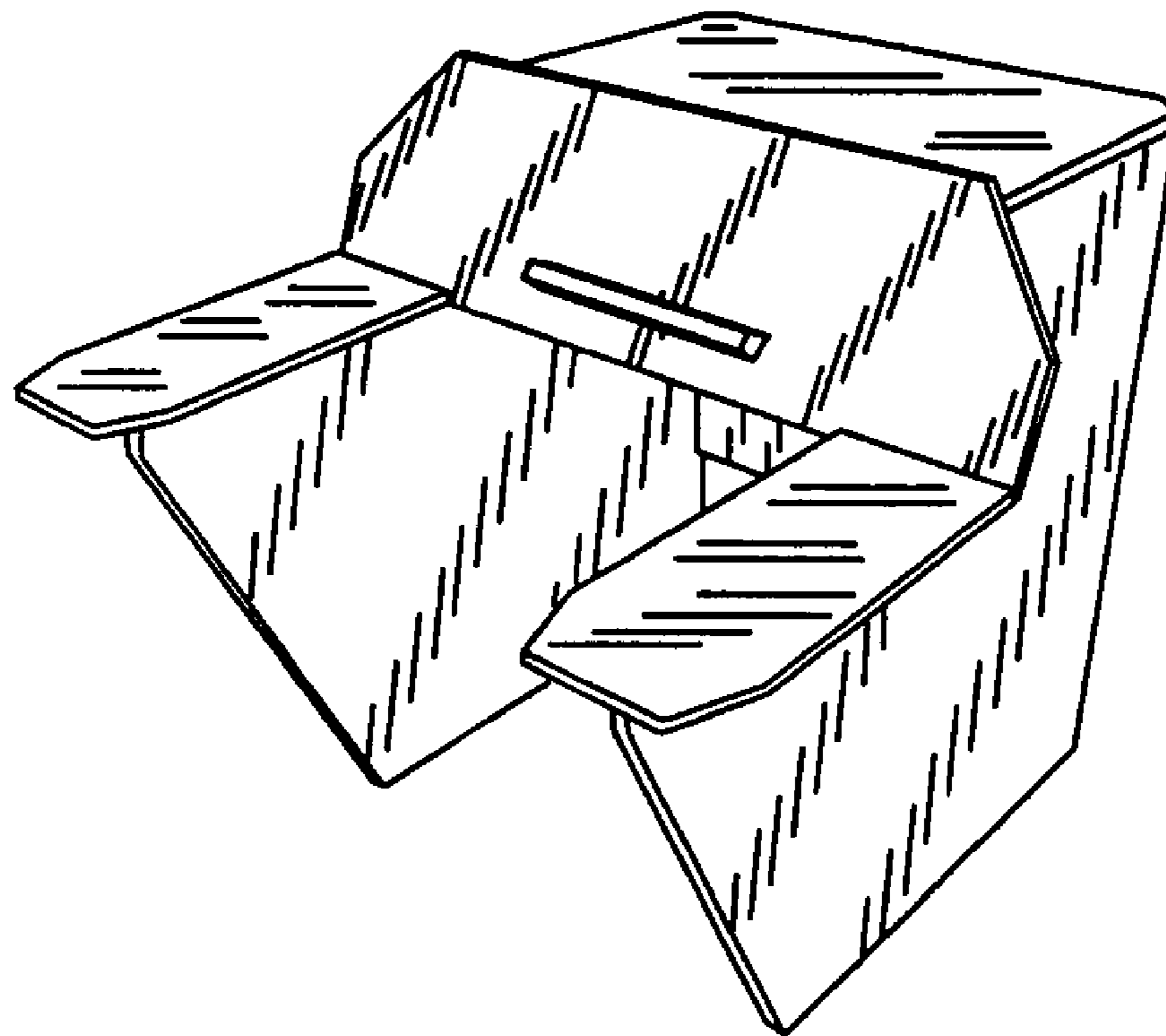
FIG. 4 is a right side view thereof

FIG. 5 is a rear view thereof

FIG. 6 is a top plan view thereof; and,

FIG. 7 is a bottom plan view thereof.

1 Claim, 2 Drawing Sheets



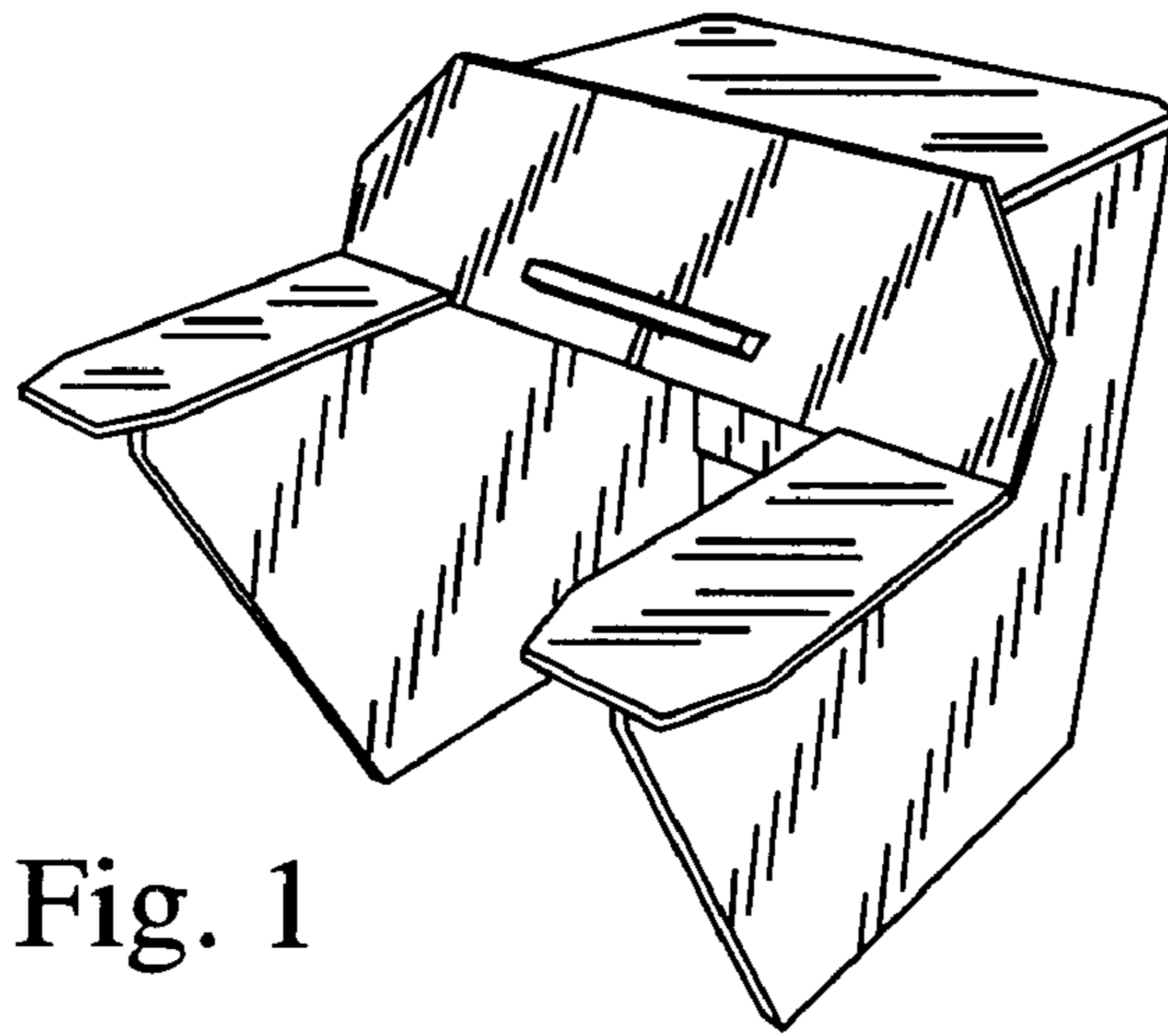


Fig. 1

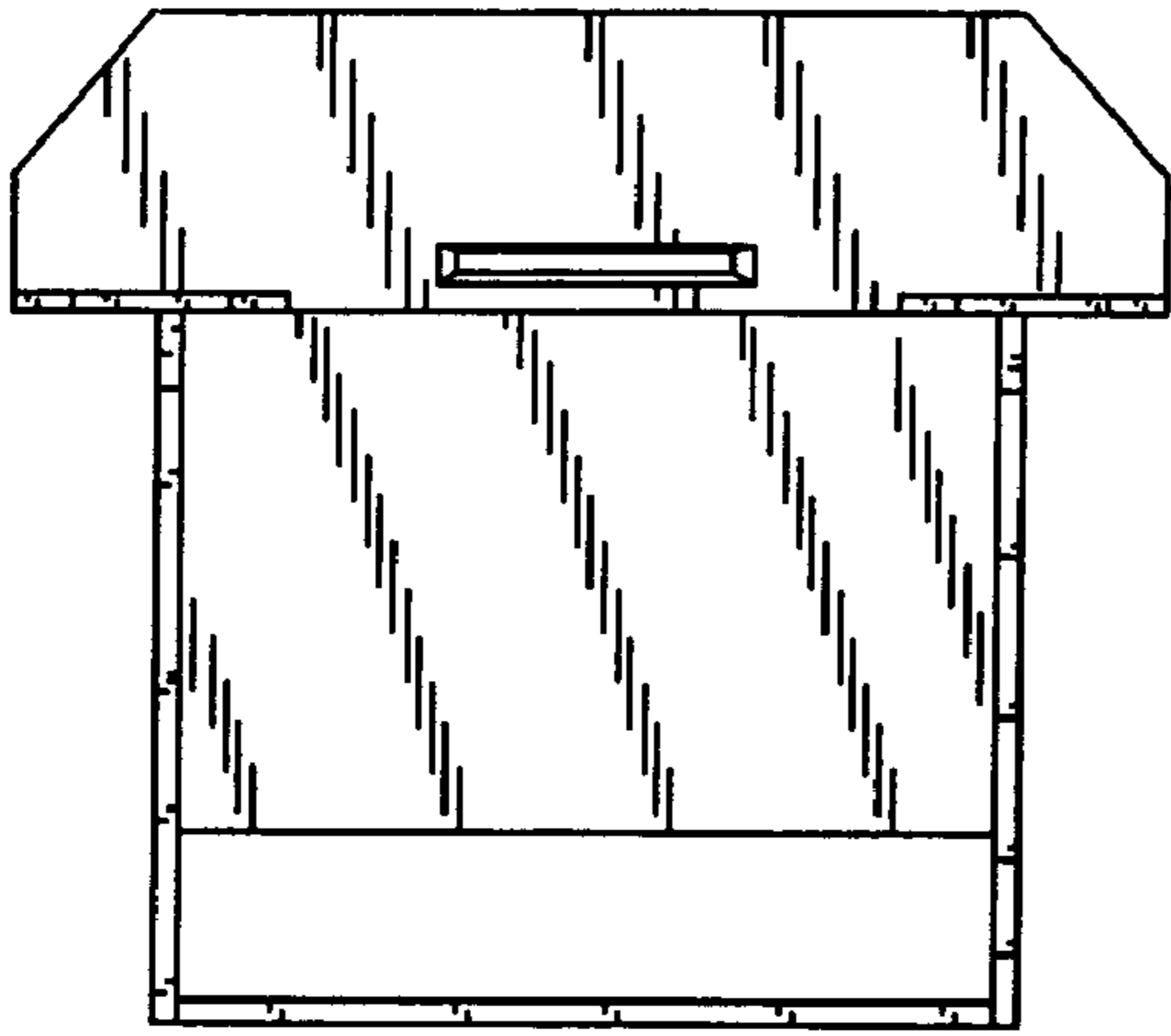


Fig. 2

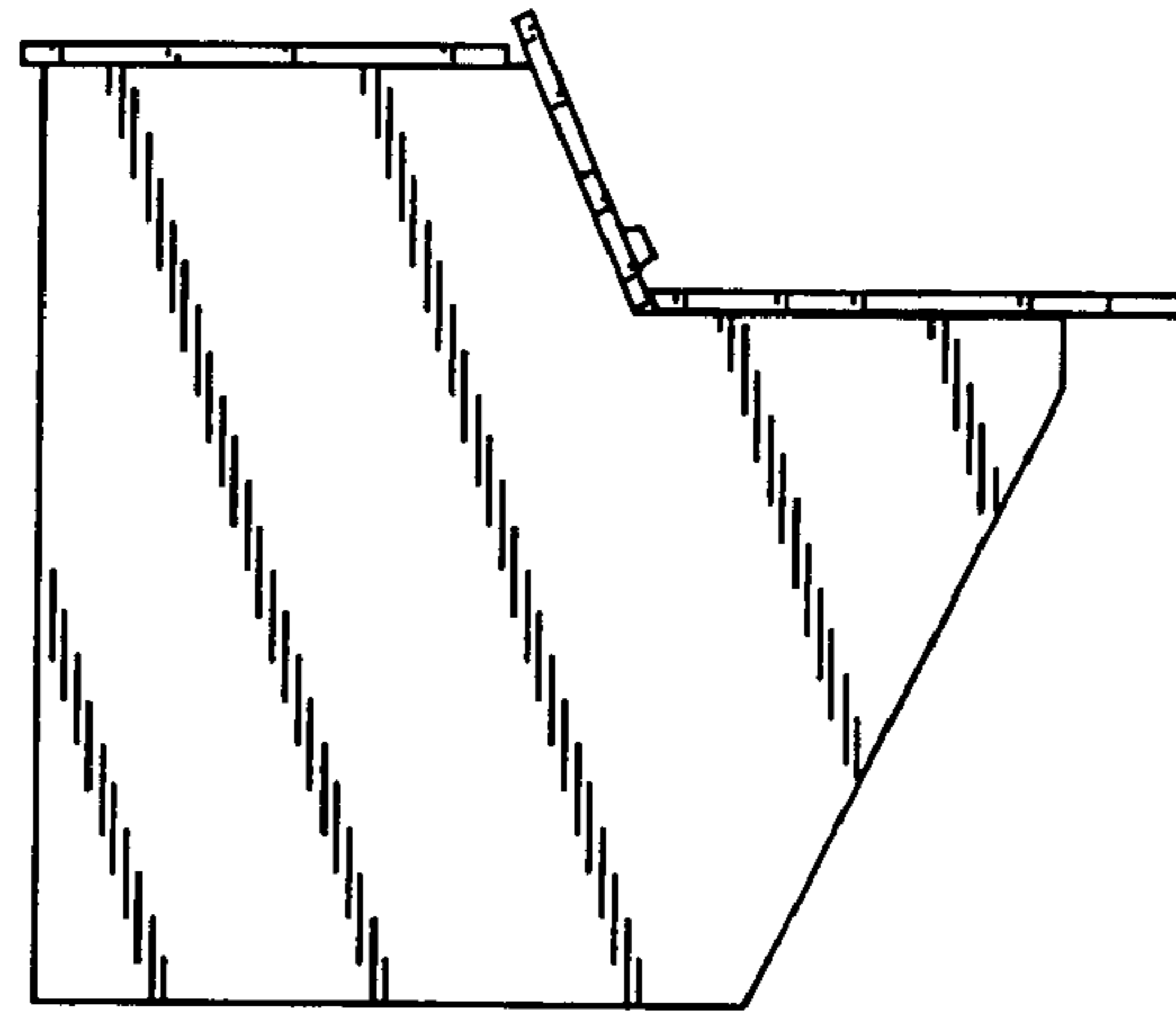


Fig. 3

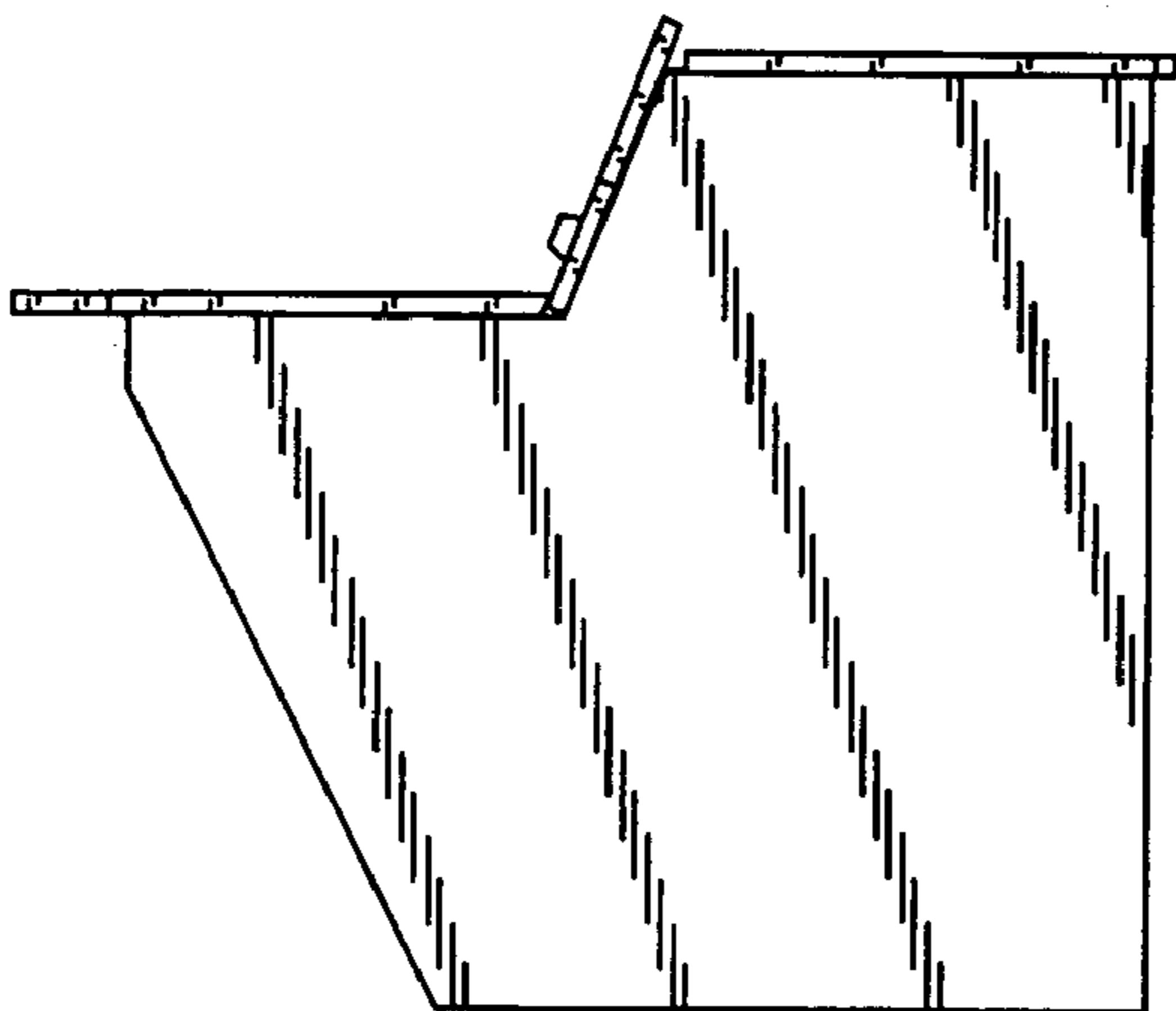


Fig. 4

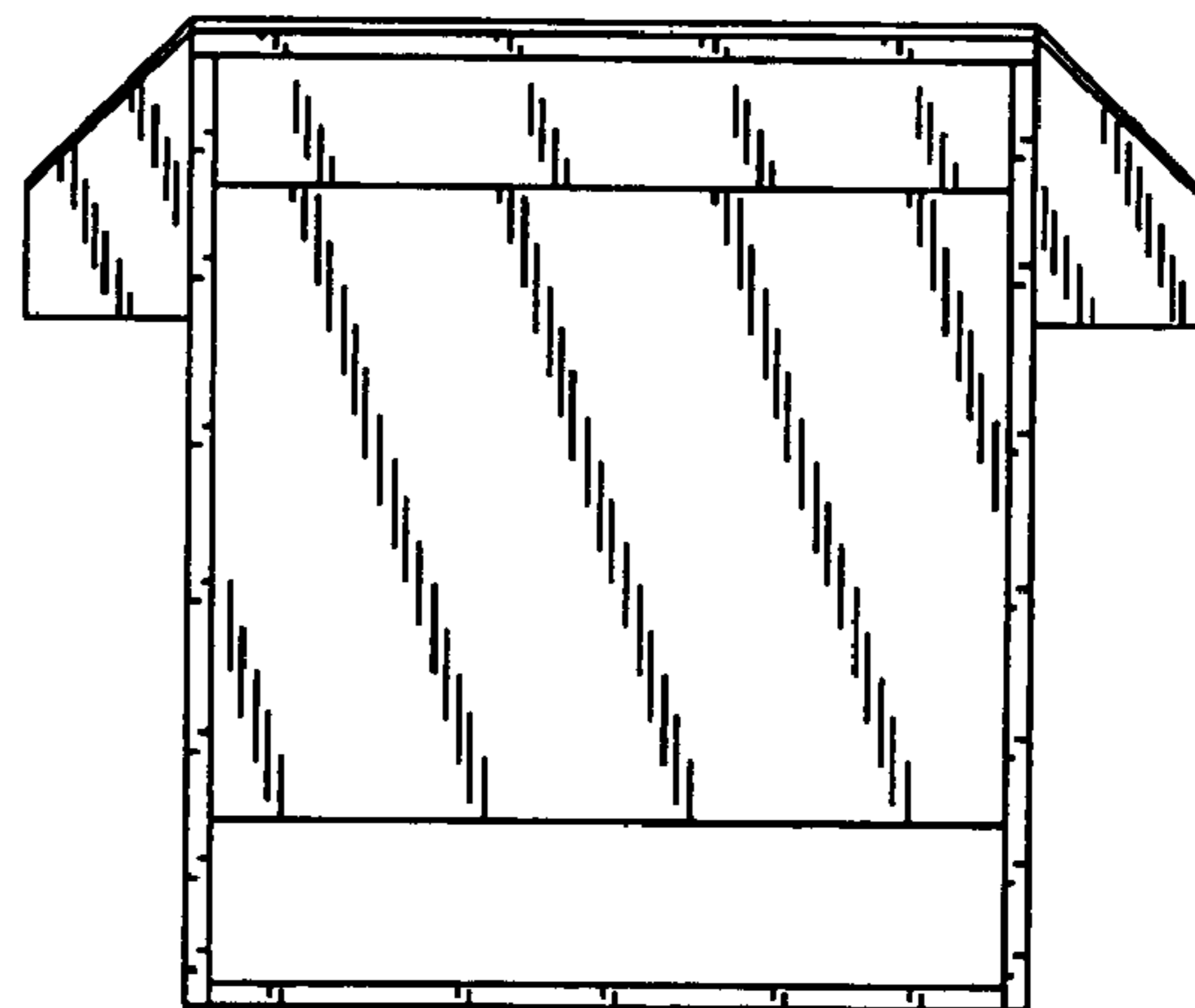


Fig. 5

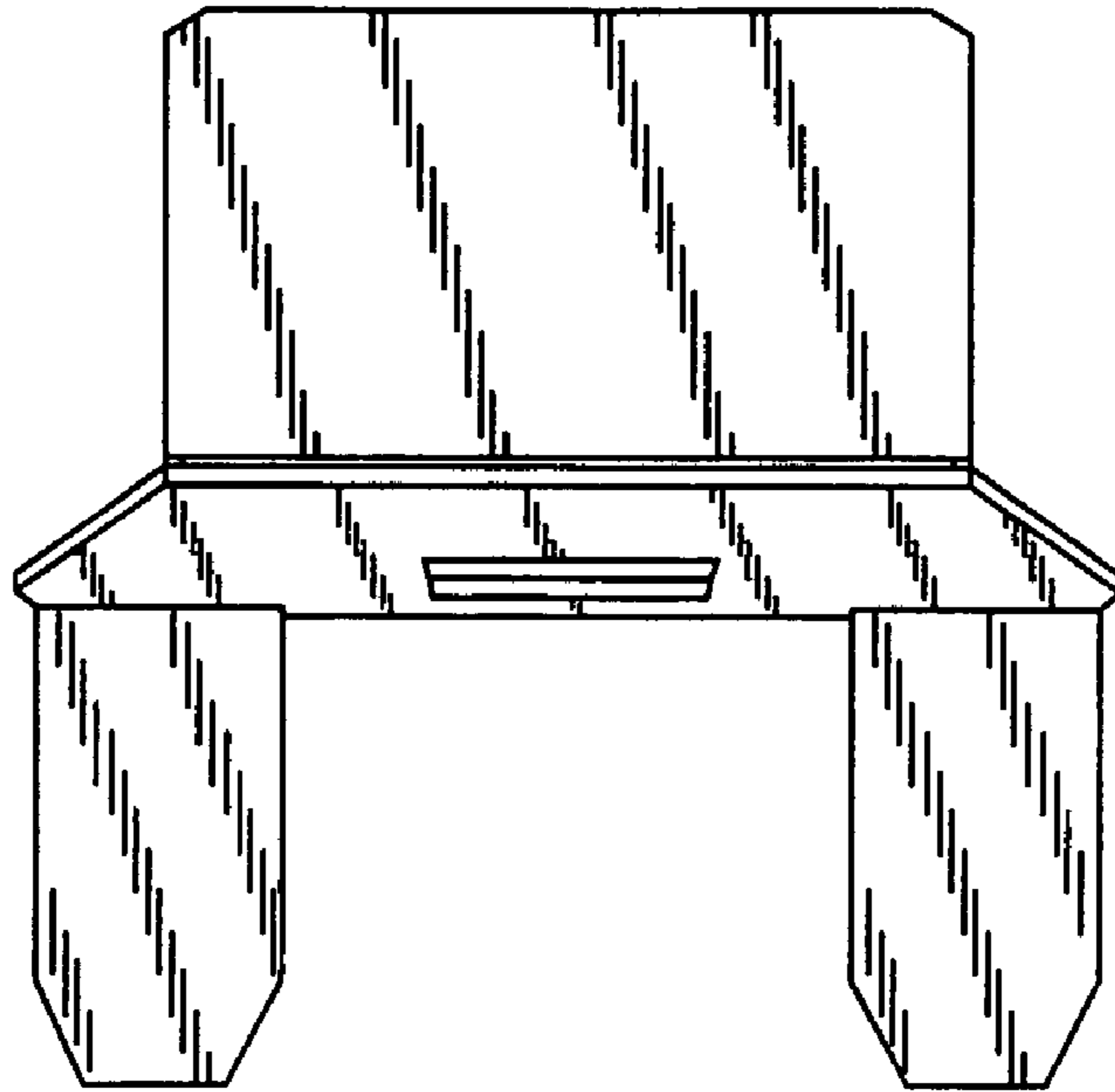


Fig. 6

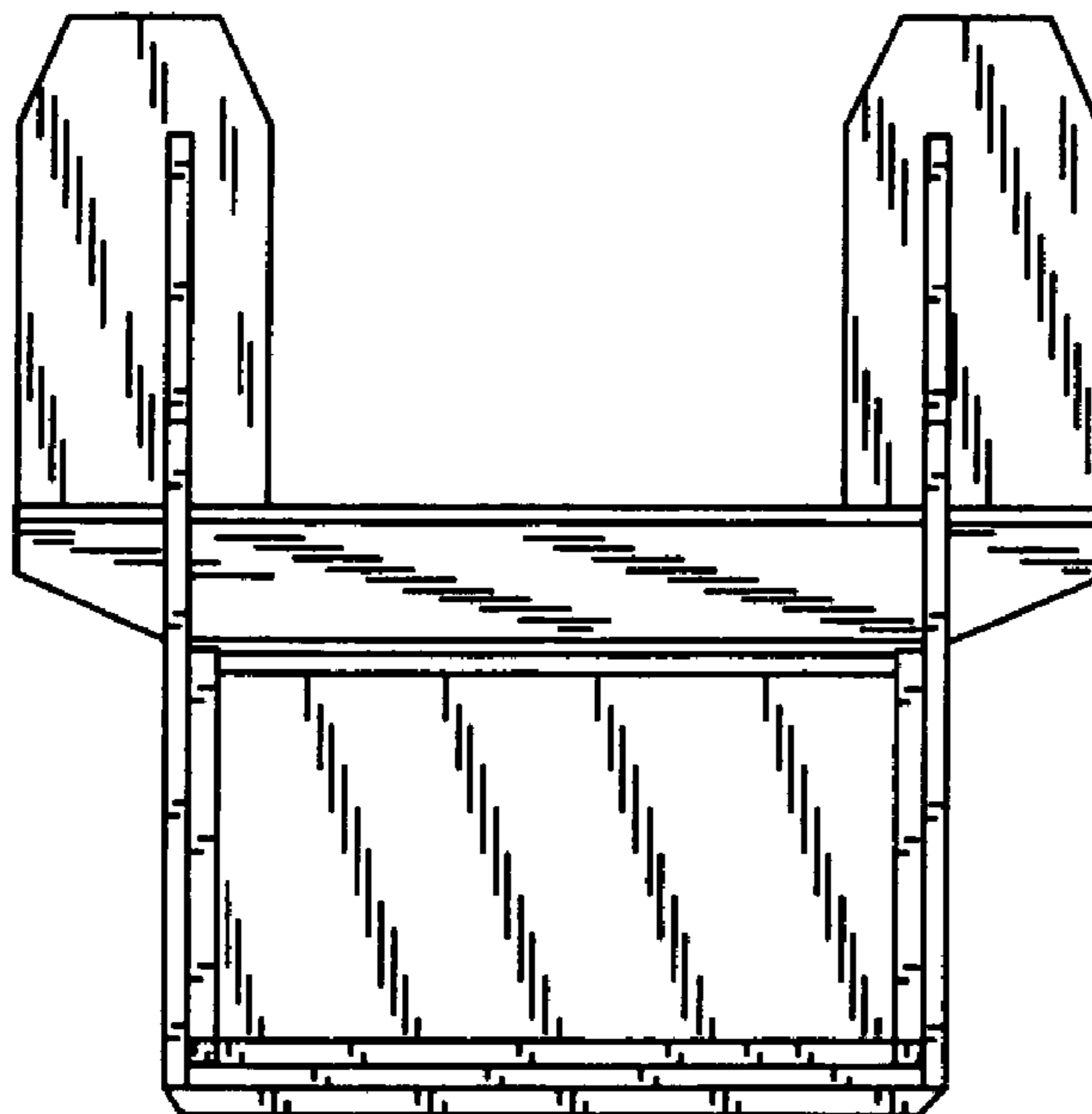


Fig. 7