

US00D545377S

(12) **United States Design Patent**
Mitchell

(10) **Patent No.:** **US D545,377 S**

(45) **Date of Patent:** **** Jun. 26, 2007**

(54) **CARD HOLDER**

D516,632 S * 3/2006 Alves D20/43

(76) Inventor: **David Sayers Mitchell**, 815 Clear Lake Rd., Kemah, TX (US) 77565

* cited by examiner

Primary Examiner—Robert M. Spear
(74) *Attorney, Agent, or Firm*—Young & Thompson

(**) Term: **14 Years**

(21) Appl. No.: **29/229,797**

(57) **CLAIM**

(22) Filed: **May 12, 2005**

The ornamental design for a card holder, as shown and described.

(51) **LOC (8) Cl.** **20-03**

(52) **U.S. Cl.** **D20/43**

(58) **Field of Classification Search** D20/10,
D20/22, 27, 40, 42, 43; 40/124.01, 299.01,
40/331, 661.04, 662, 668, 669, 673, 674
See application file for complete search history.

DESCRIPTION

FIG. 1 is a front, bottom and side perspective view of a card holder showing my new design;

FIG. 2 is a top, front and side perspective view thereof;

FIG. 3 is a top plan view thereof;

FIG. 4 is a side elevational view thereof from the right of FIG. 3, the side elevational view from the left of FIG. 3 being the mirror image thereof;

FIG. 5 is a bottom plan view thereof;

FIG. 6 is a view thereof from the top of FIG. 5; and,

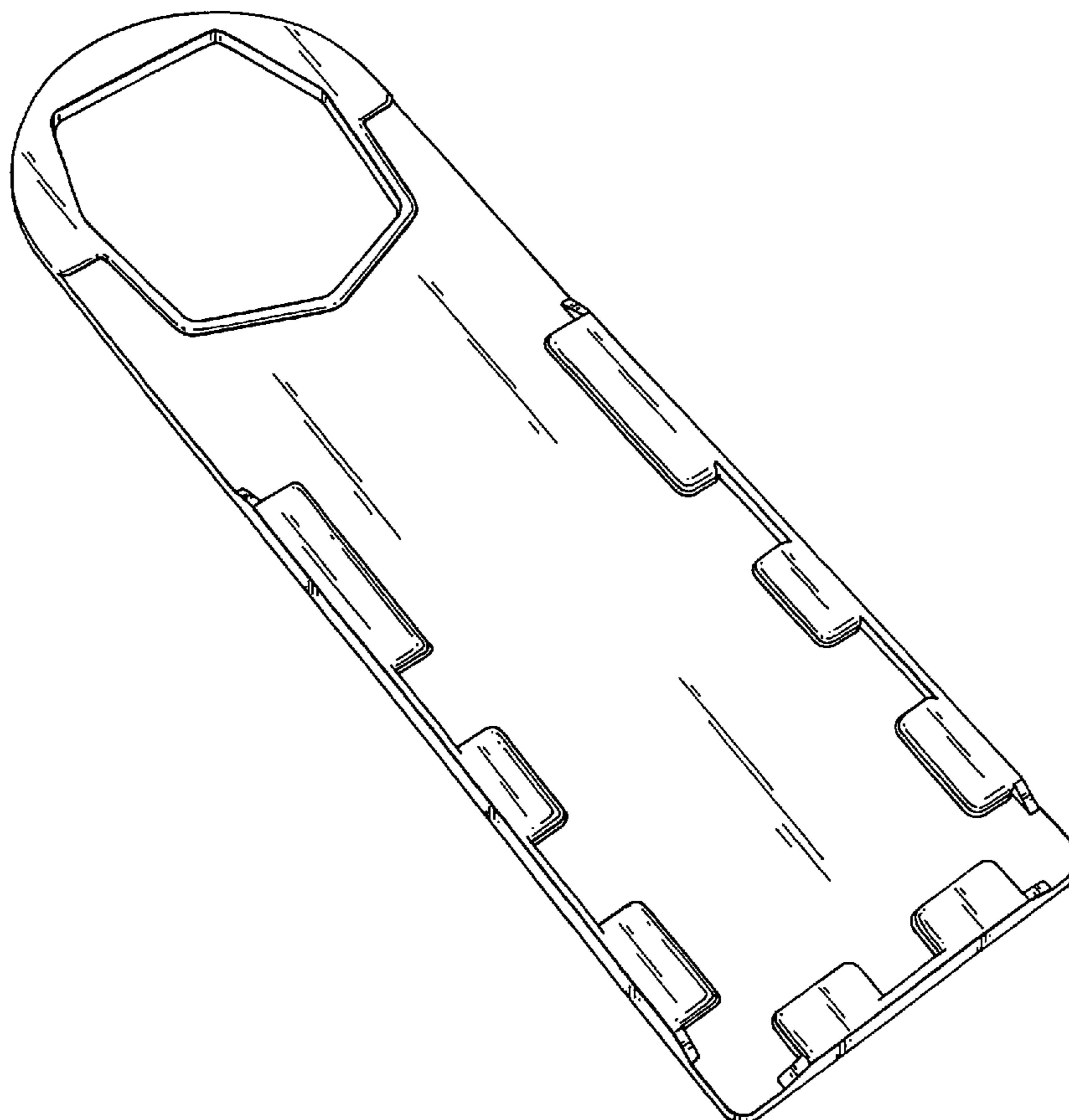
FIG. 7 is a view thereof from the bottom of FIG. 3.

(56) **References Cited**

U.S. PATENT DOCUMENTS

D133,663 S *	9/1942	Beason	D20/43
D307,215 S *	4/1990	Chan	D3/208
D314,016 S *	1/1991	Mitchell	D20/43
D316,877 S	5/1991	Mitchell		
D394,882 S *	6/1998	Ho	D20/42
D415,526 S *	10/1999	Ho	D19/52
D469,472 S *	1/2003	Gladden, III	D20/43

1 Claim, 5 Drawing Sheets



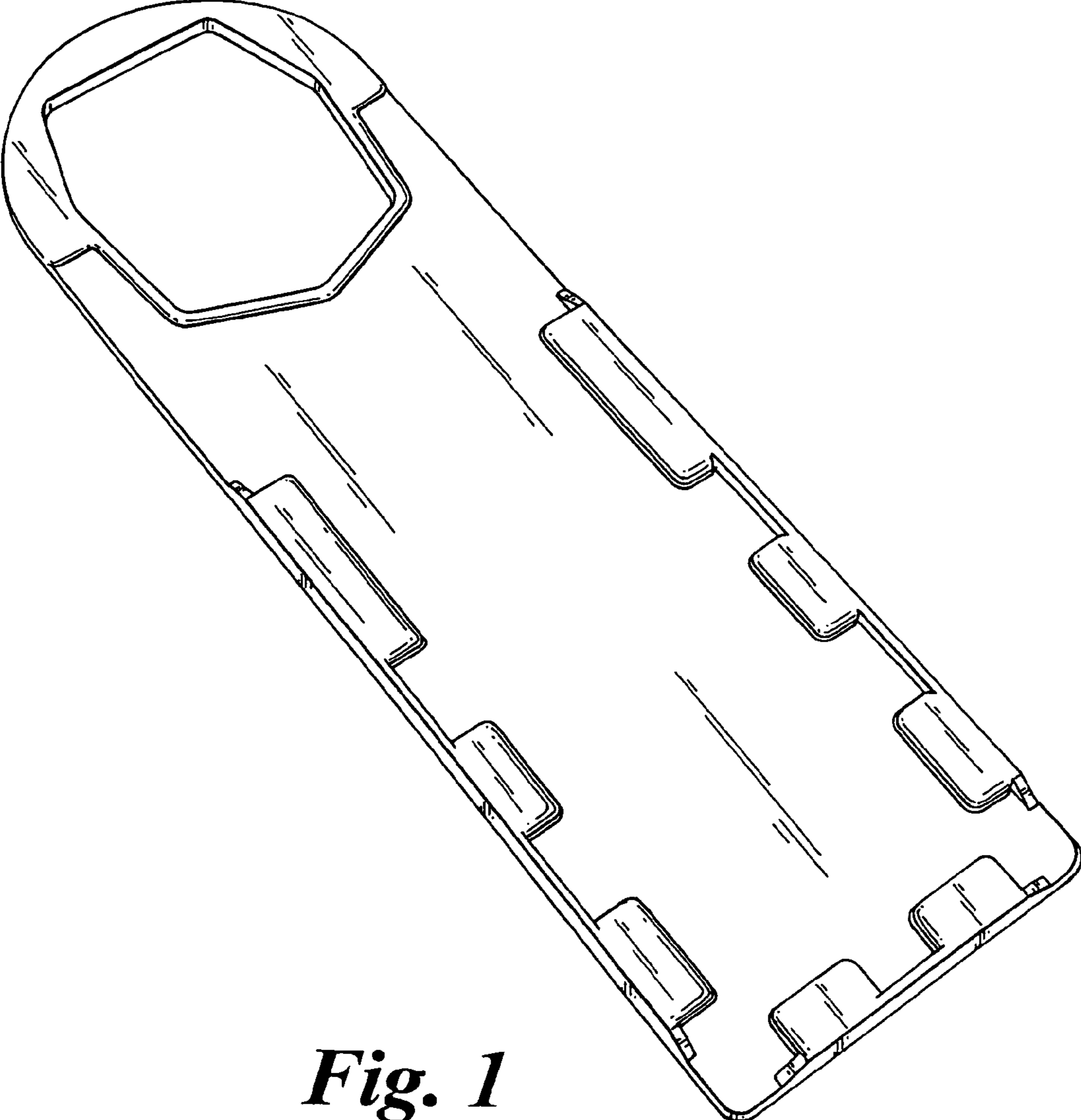


Fig. 1

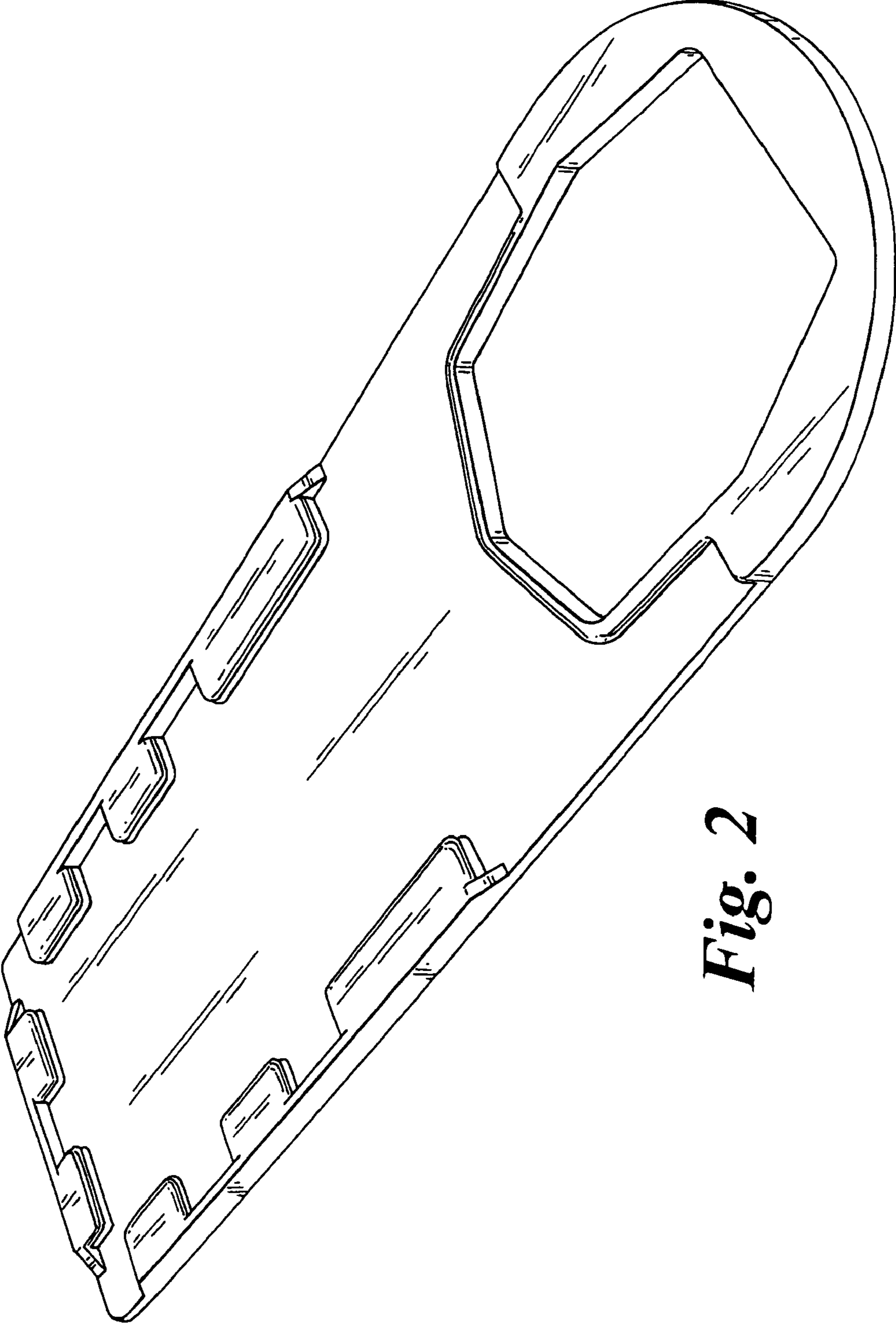


Fig. 2

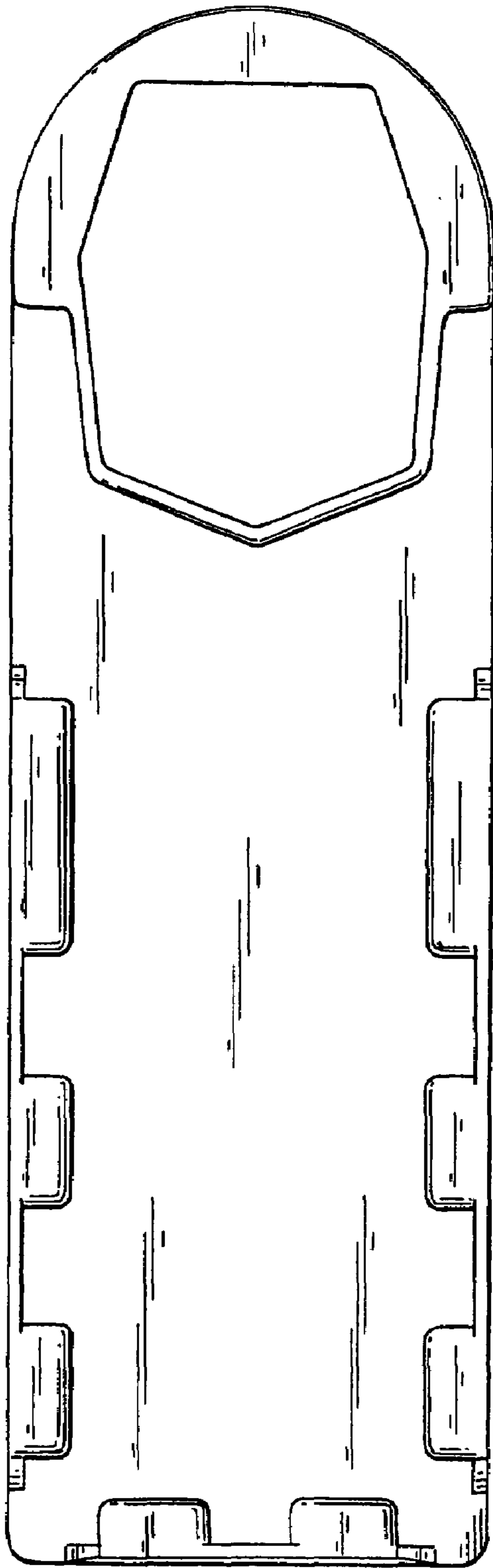


Fig. 3

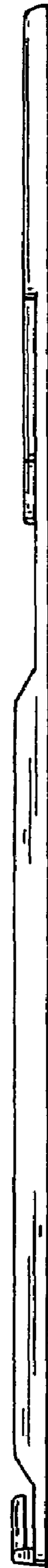


Fig. 4

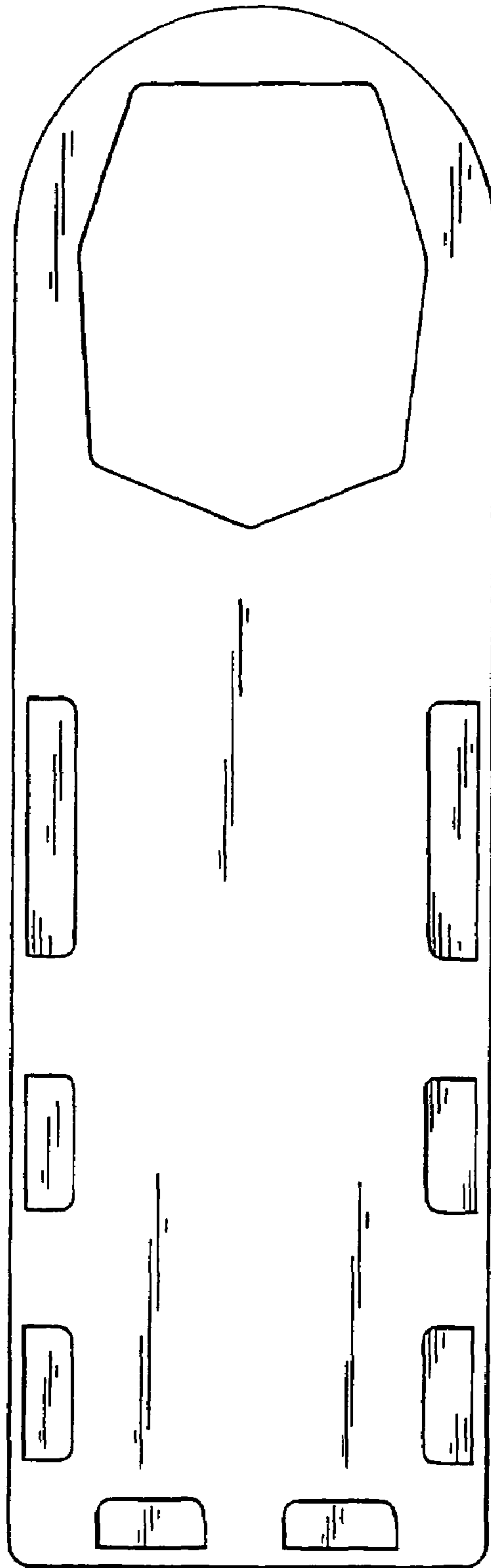


Fig. 5



Fig. 6



Fig. 7