



US00D545372S

(12) **United States Design Patent**
Kent et al.

(10) **Patent No.:** **US D545,372 S**
(45) **Date of Patent:** **** Jun. 26, 2007**

- (54) **PENCIL SHARPENER**
- (75) Inventors: **Michael Kent**, Cumberland, RI (US);
Joseph J. Schappler, Bedford, NH (US)
- (73) Assignee: **Staples the Office Superstore, LLC**, Framingham, MA (US)
- (**) Term: **14 Years**
- (21) Appl. No.: **29/238,852**
- (22) Filed: **Sep. 21, 2005**
- (51) **LOC (8) Cl.** **19-06**
- (52) **U.S. Cl.** **D19/73**
- (58) **Field of Classification Search** D8/91,
D8/98; D19/72-74, 99; 30/451-462; 144/28.1,
144/28.11, 28.2-28.7, 28.72, 28.8, 28.9
See application file for complete search history.

(56) **References Cited**

U.S. PATENT DOCUMENTS

D117,901 S	*	12/1939	Hoffmann	D19/73
D152,554 S		2/1949	May		
3,059,617 A		10/1962	Swimmer et al.		
3,134,365 A		5/1964	Hori		
D199,473 S		10/1964	Shuler		
D215,379 S		9/1969	Mizuno		
3,556,182 A		1/1971	Tanigami		
3,678,975 A		7/1972	Imanishi et al.		
D237,610 S		11/1975	Macowski		
D240,223 S	*	6/1976	MacGregor	D19/73
D250,035 S		10/1978	Kajiwara		
D251,008 S		2/1979	Kajiwara		
4,601,316 A		7/1986	Verdi		
D320,812 S		10/1991	Yuen		
D324,700 S		3/1992	Shimoo et al.		
D354,987 S		1/1995	Yuen		
D390,264 S		2/1998	Singleton		
D396,062 S		7/1998	White et al.		

D405,830 S		2/1999	Mak		
D406,173 S		2/1999	Chen		
D441,796 S	*	5/2001	Chan	D19/73
D445,833 S	*	7/2001	Fonfeder	D19/73
D470,889 S	*	2/2003	Daley, Jr.	D19/73
D495,004 S	*	8/2004	Yuen	D19/73
6,799,374 B1	*	10/2004	Goldstein et al.	30/454
D500,798 S	*	1/2005	Yuen	D19/73
D512,461 S	*	12/2005	Tsuruha	D19/73
2006/0086416 A1	*	4/2006	Takada	144/28.72

FOREIGN PATENT DOCUMENTS

GB 2036121 6/1980

* cited by examiner

Primary Examiner—Elizabeth A. Albert

(74) *Attorney, Agent, or Firm*—Wolf, Greenfield & Sacks PC

(57) **CLAIM**

The ornamental design for a pencil sharpener, as shown and described.

DESCRIPTION

FIG. 1 is a side, top, perspective view of the pencil sharpener;

FIG. 2 is a left side view thereof with feet thereof shown in phantom, the right side view thereof being a mirror image thereof;

FIG. 3 is a front view thereof;

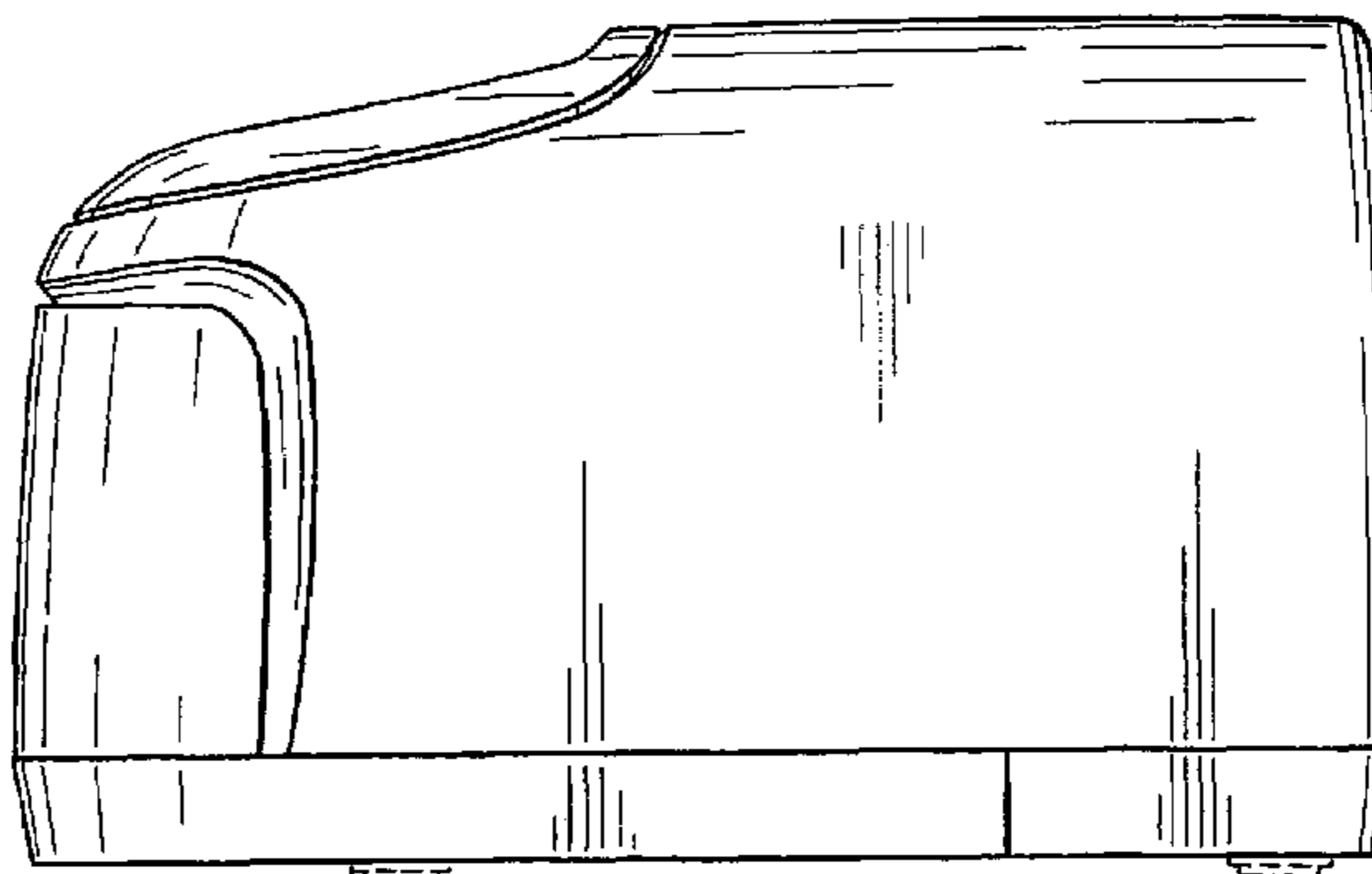
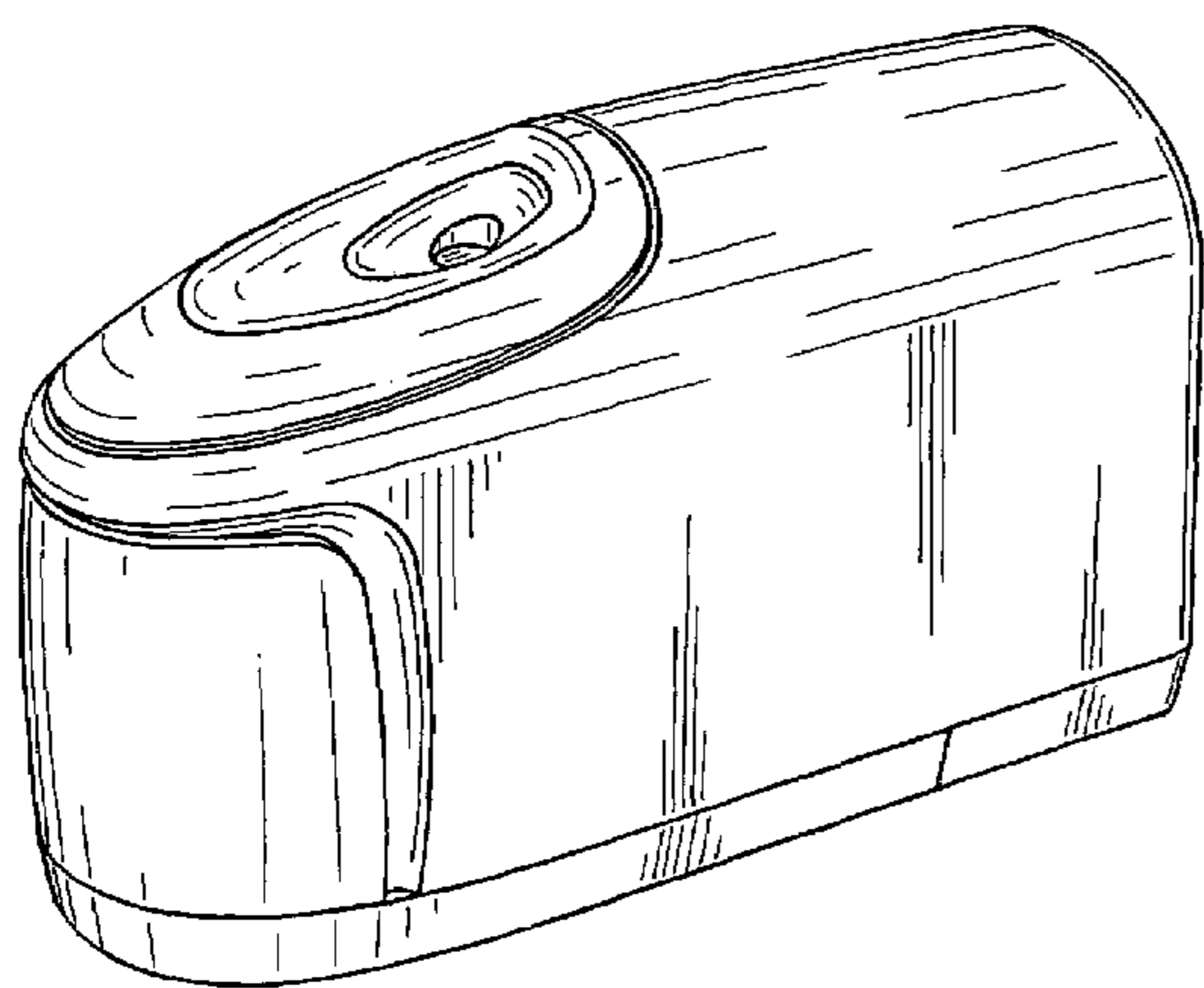
FIG. 4 is a rear view thereof;

FIG. 5 is a top view thereof; and,

FIG. 6 is a bottom view thereof with all of the feet and other bottom surface elements thereof shown in phantom.

The broken lines showing feet and features on the bottom are included for the purpose of illustrating environment and form no part of the claimed design.

1 Claim, 2 Drawing Sheets



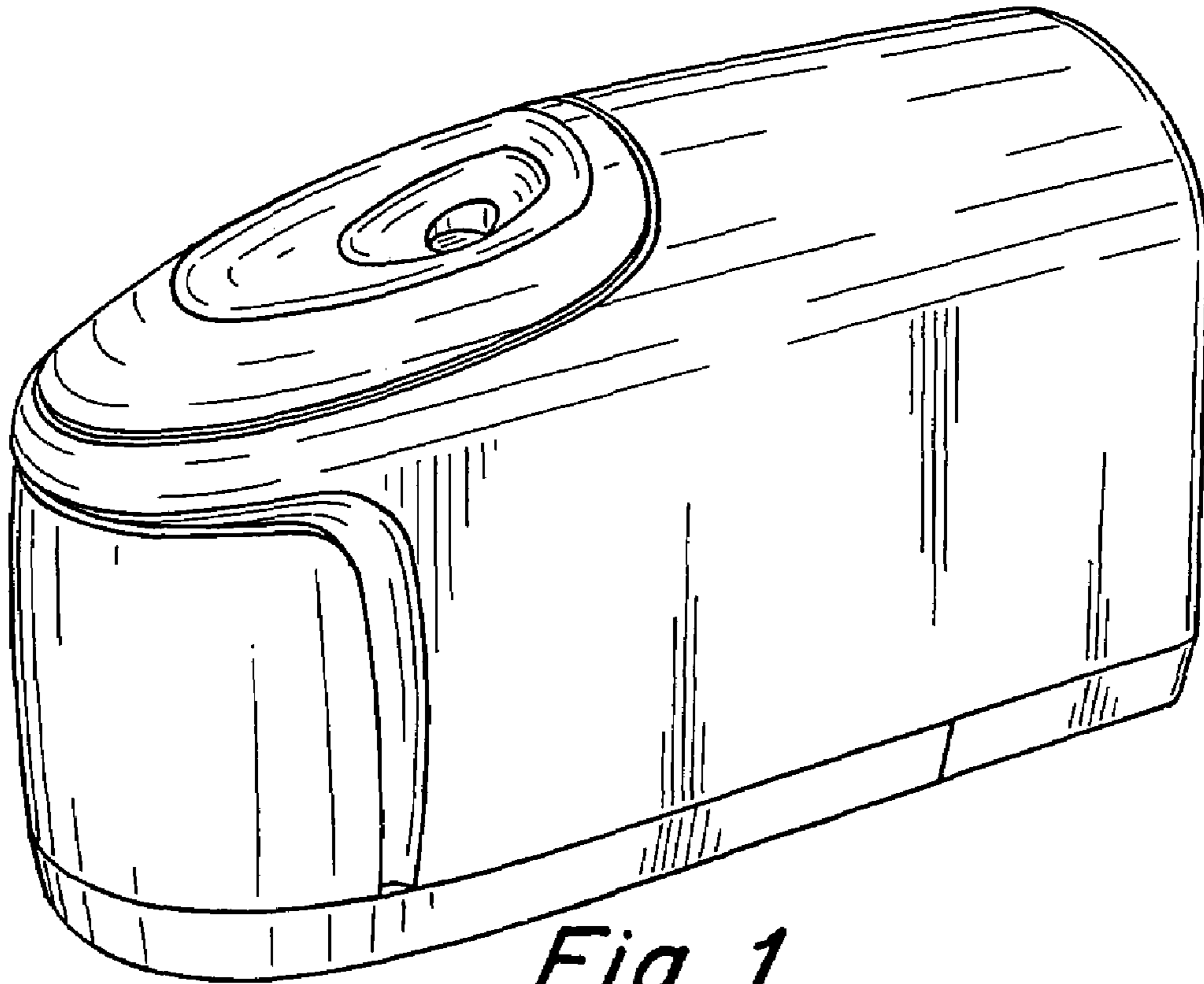


Fig. 1

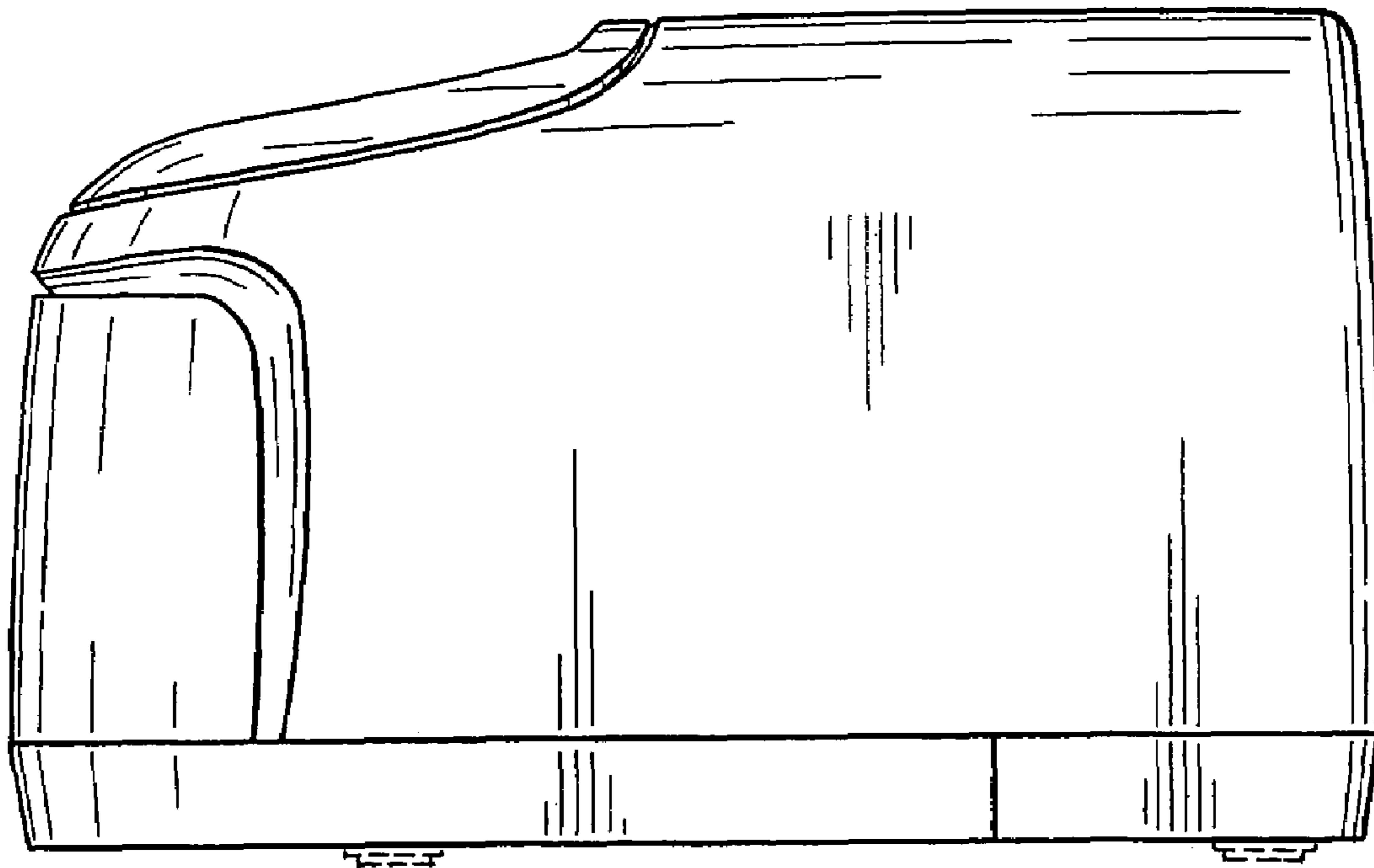


Fig. 2

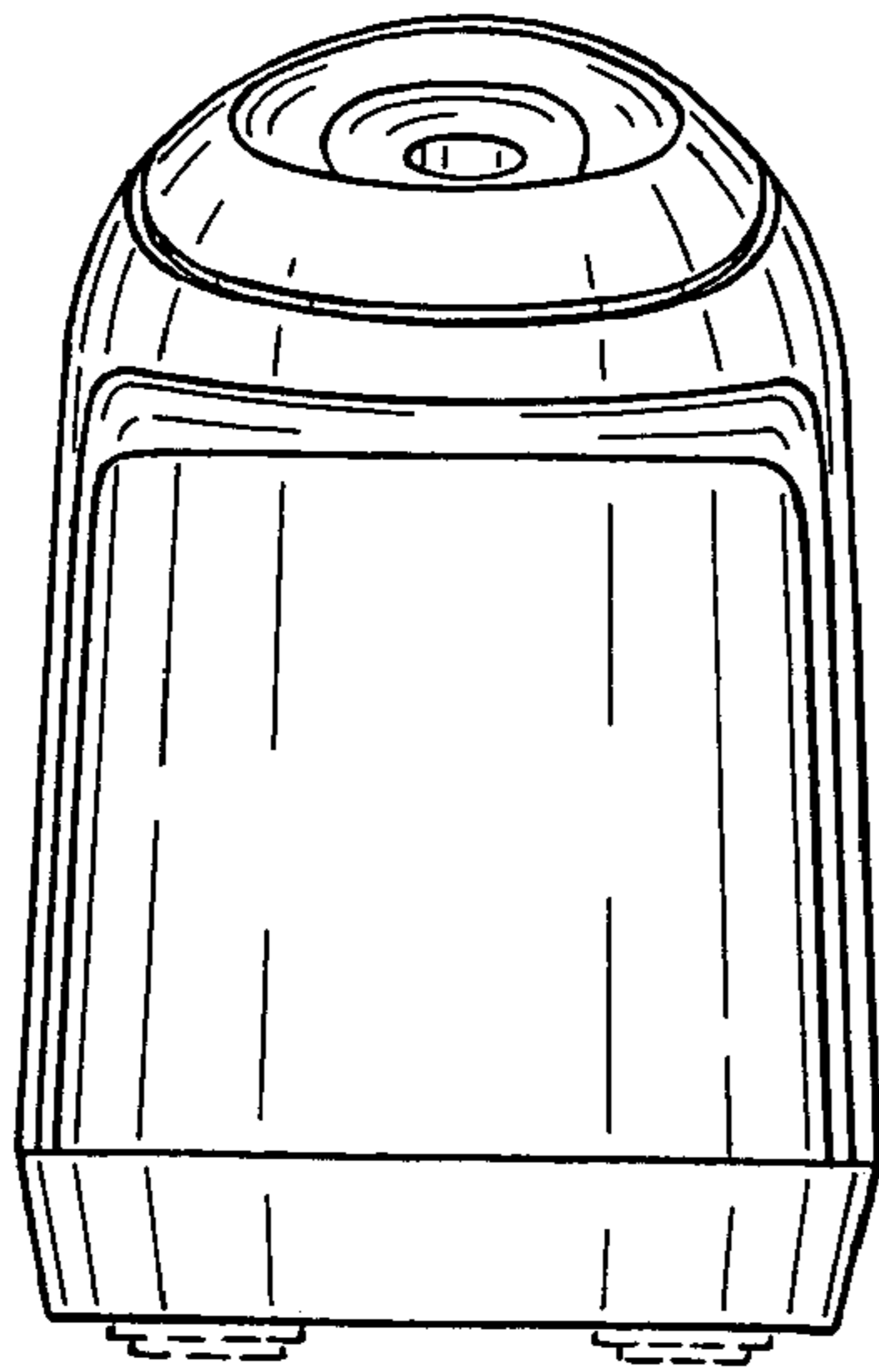


Fig. 3

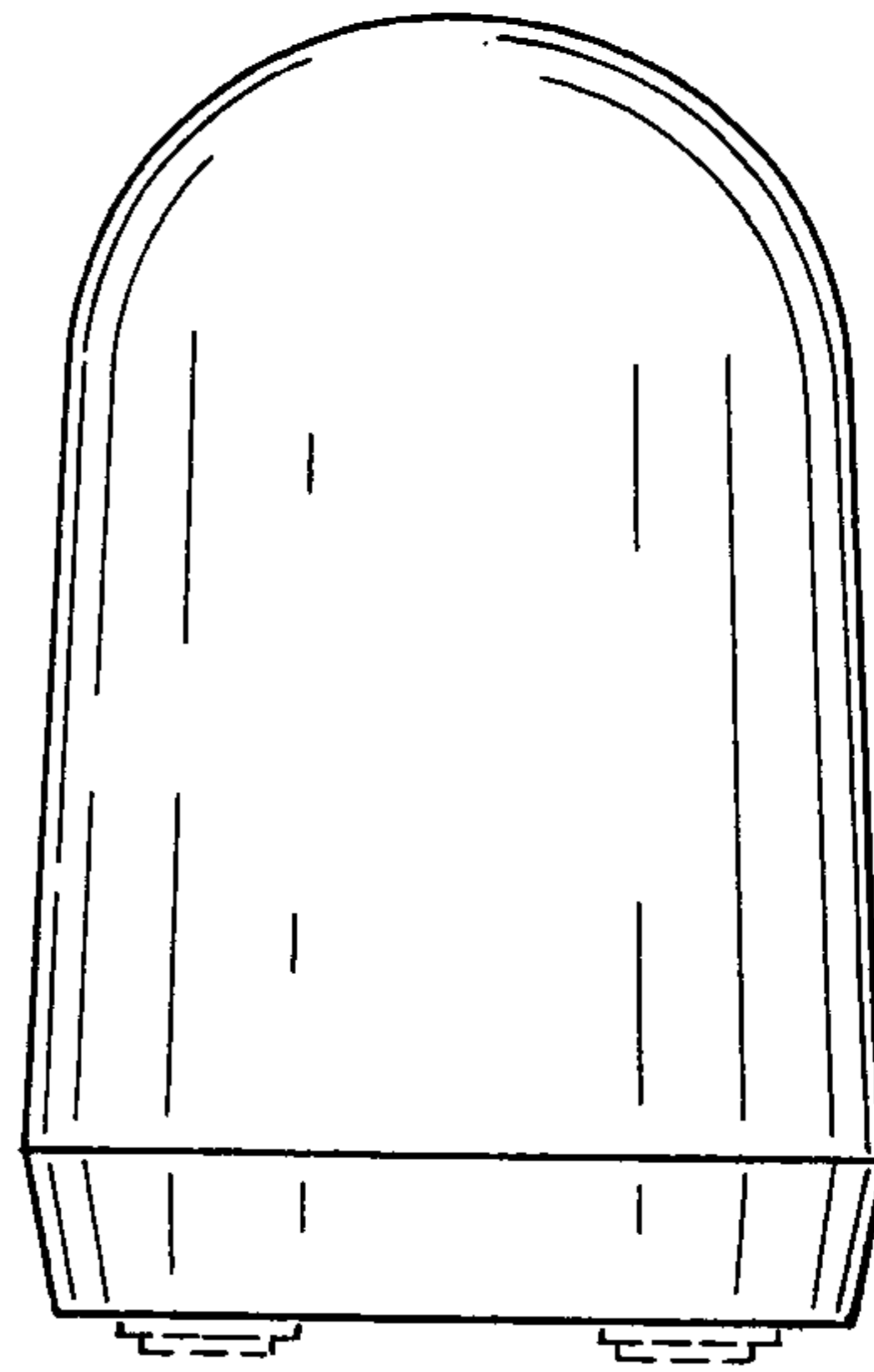


Fig. 4

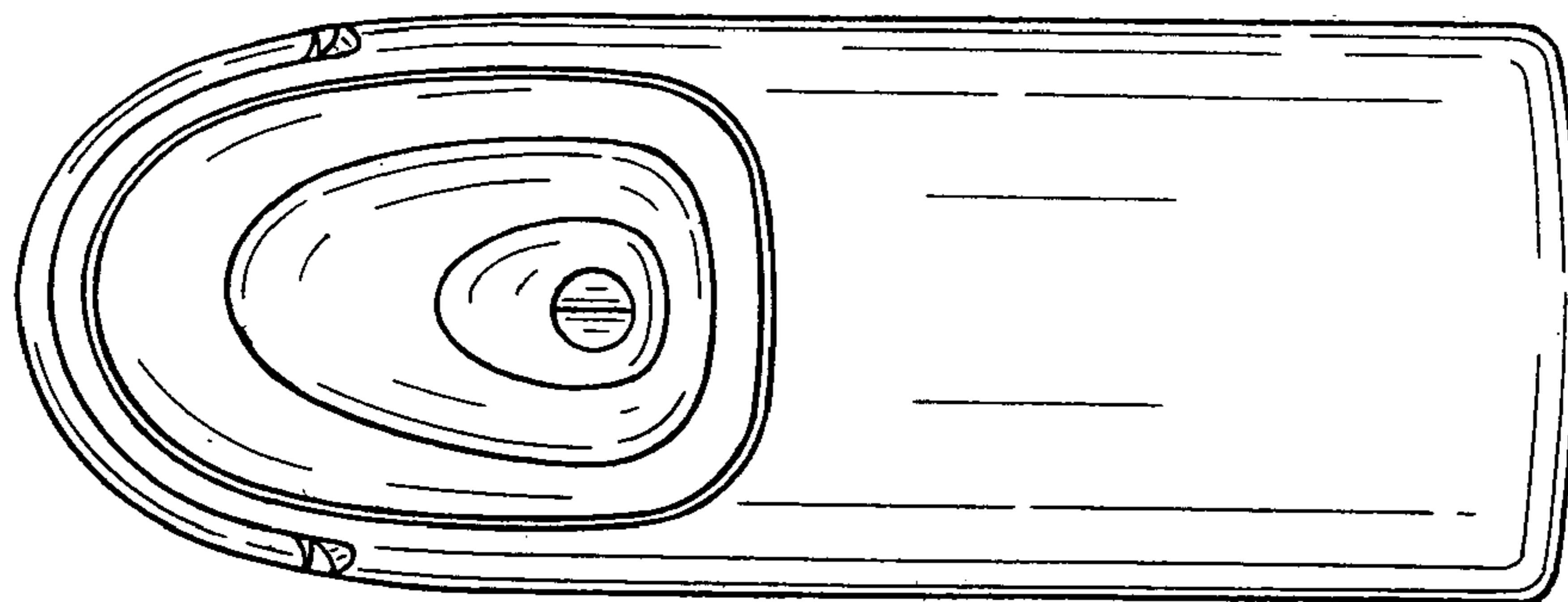


Fig. 5

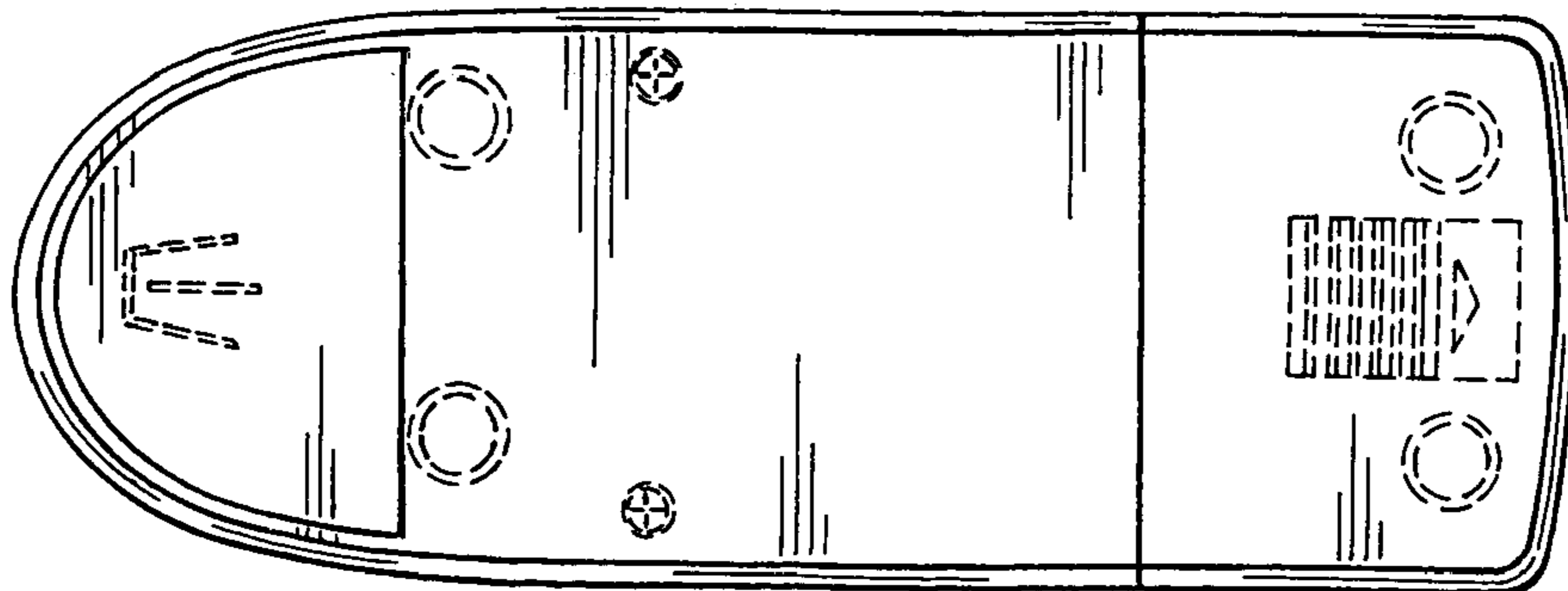


Fig. 6