

US00D545369S

(12) **United States Design Patent**  
**Scharfetter**

(10) **Patent No.:** **US D545,369 S**

(45) **Date of Patent:** **\*\* Jun. 26, 2007**

(54) **FLIGHT SIMULATOR**

(76) Inventor: **Martin Scharfetter**,  
Berchtesgadenstrasse 13, A-5020  
Salzburg (AT)

(\*\*) Term: **14 Years**

(21) Appl. No.: **29/258,306**

(22) Filed: **Apr. 20, 2006**

(30) **Foreign Application Priority Data**

Oct. 20, 2005 (EM) ..... 000420252-0001  
Oct. 20, 2005 (EM) ..... 000420252-0002  
Oct. 20, 2005 (EM) ..... 000420252-0003

(51) **LOC (8) Cl.** ..... **19-07**

(52) **U.S. Cl.** ..... **D19/63**

(58) **Field of Classification Search** ..... D19/59-64;  
D6/451; D12/319; D21/30, 34-37; 434/55,  
434/60; 463/36; 482/51  
See application file for complete search history.

(56) **References Cited**

**U.S. PATENT DOCUMENTS**

D334,409 S \* 3/1993 Harper ..... D19/63  
D334,410 S \* 3/1993 Harper ..... D19/63  
D334,591 S \* 4/1993 Harper ..... D19/63  
D345,760 S \* 4/1994 Liljenwall ..... D19/63

5,388,991 A \* 2/1995 Morris ..... 434/55  
D366,513 S \* 1/1996 Crowe et al. .... D21/833  
D382,620 S \* 8/1997 Callan ..... D21/833  
D387,122 S \* 12/1997 Horstmann et al. .... D21/833  
D414,762 S \* 10/1999 Gibbs et al. .... D21/814  
D417,480 S \* 12/1999 Collins et al. .... D21/811  
D427,789 S \* 7/2000 Hill ..... D6/338  
D531,221 S \* 10/2006 Shiraishi ..... D19/60  
D531,670 S \* 11/2006 Shiraishi ..... D19/60

\* cited by examiner

*Primary Examiner*—Louis Zarfes

*Assistant Examiner*—Mark Cavanna

(74) *Attorney, Agent, or Firm*—Dykema Gossett PLLC

(57) **CLAIM**

An ornamental design for a flight simulator, as shown and described.

**DESCRIPTION**

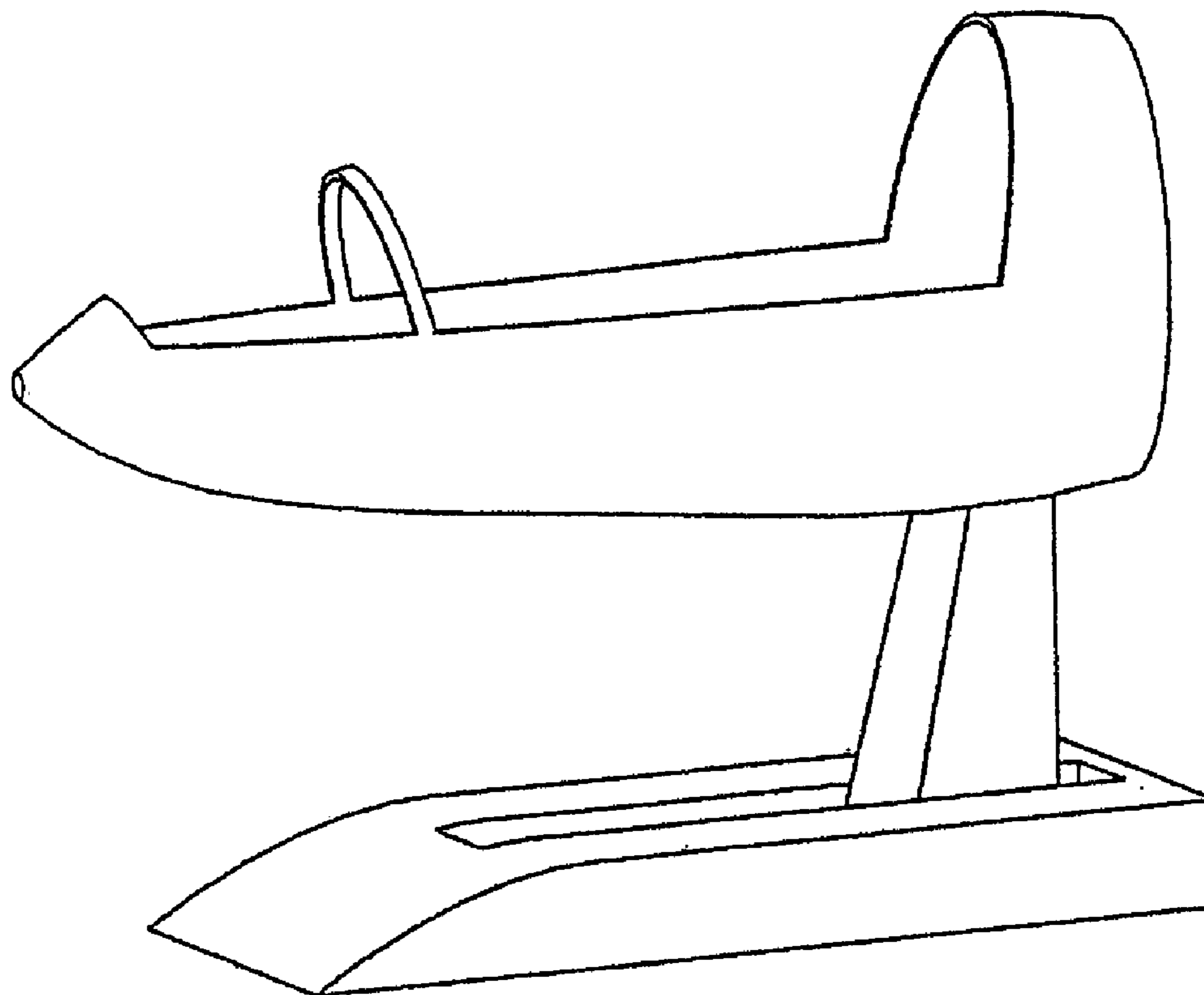
FIG. 1 is a perspective view of a flight simulator showing my new design,

FIG. 2 is a front view thereof,

FIG. 3 is a left side view thereof, the right side elevational view being a mirror image; and,

FIG. 4 is a top View thereof.

**1 Claim, 2 Drawing Sheets**



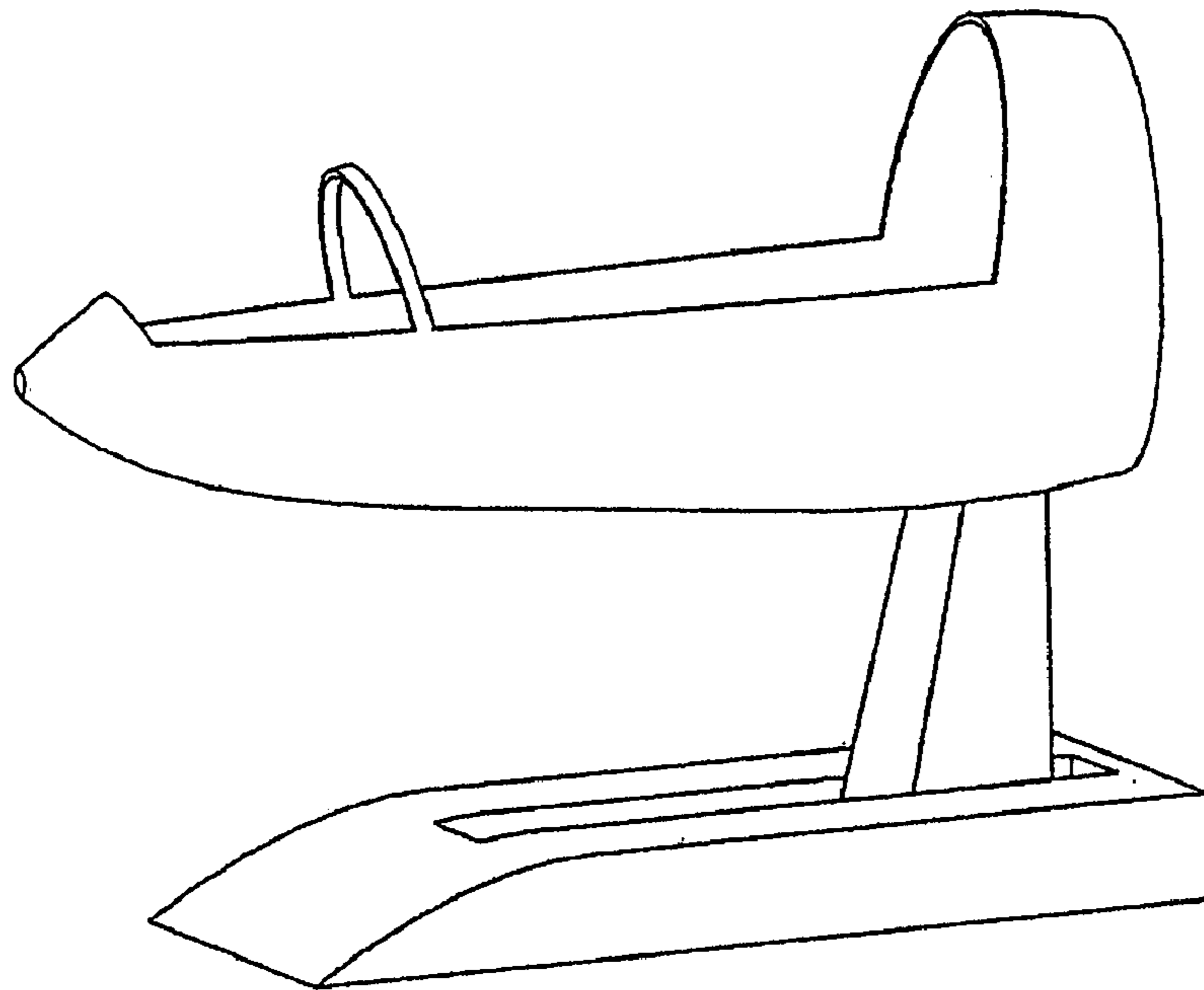


Fig. 1

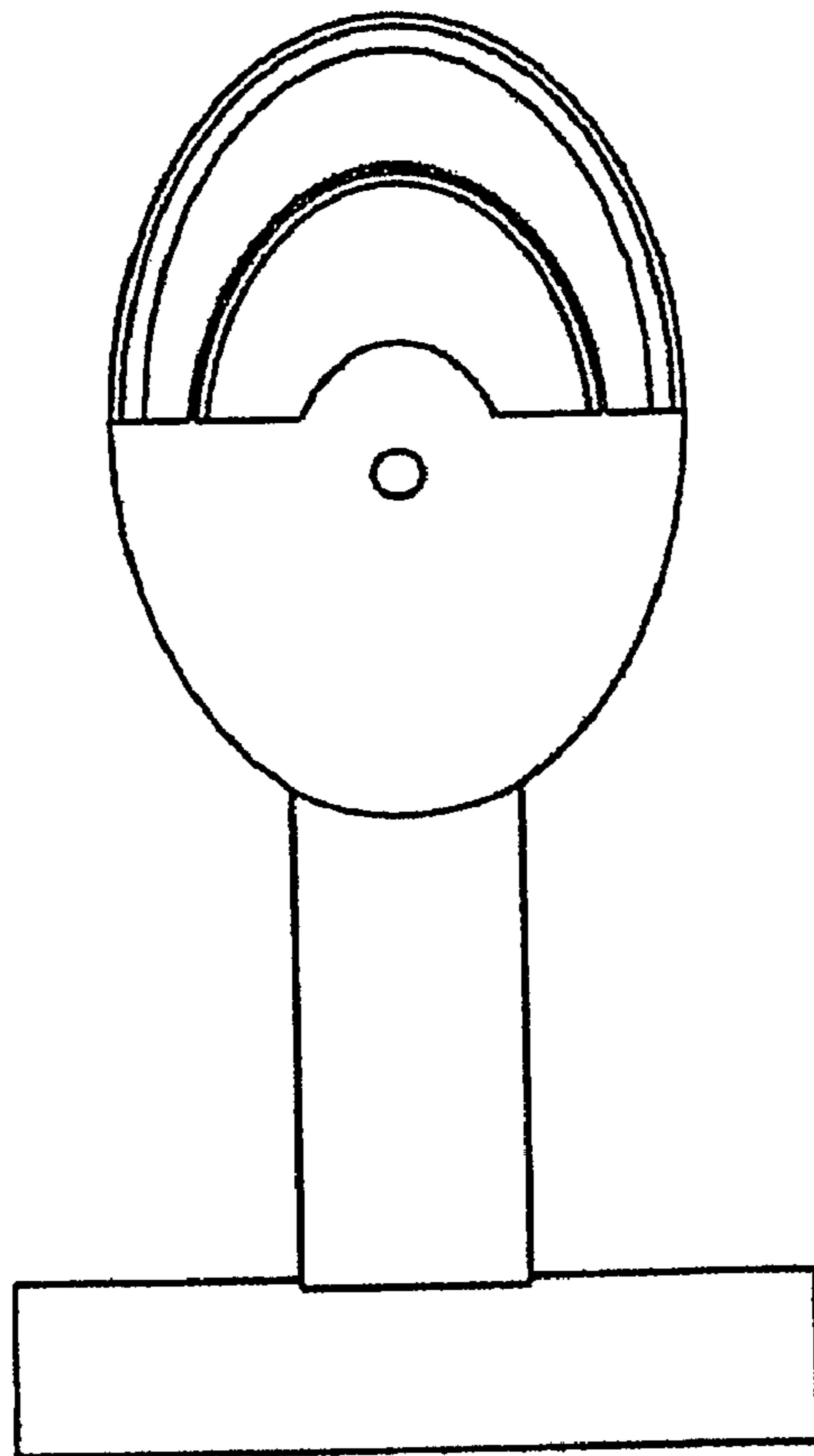


Fig. 2

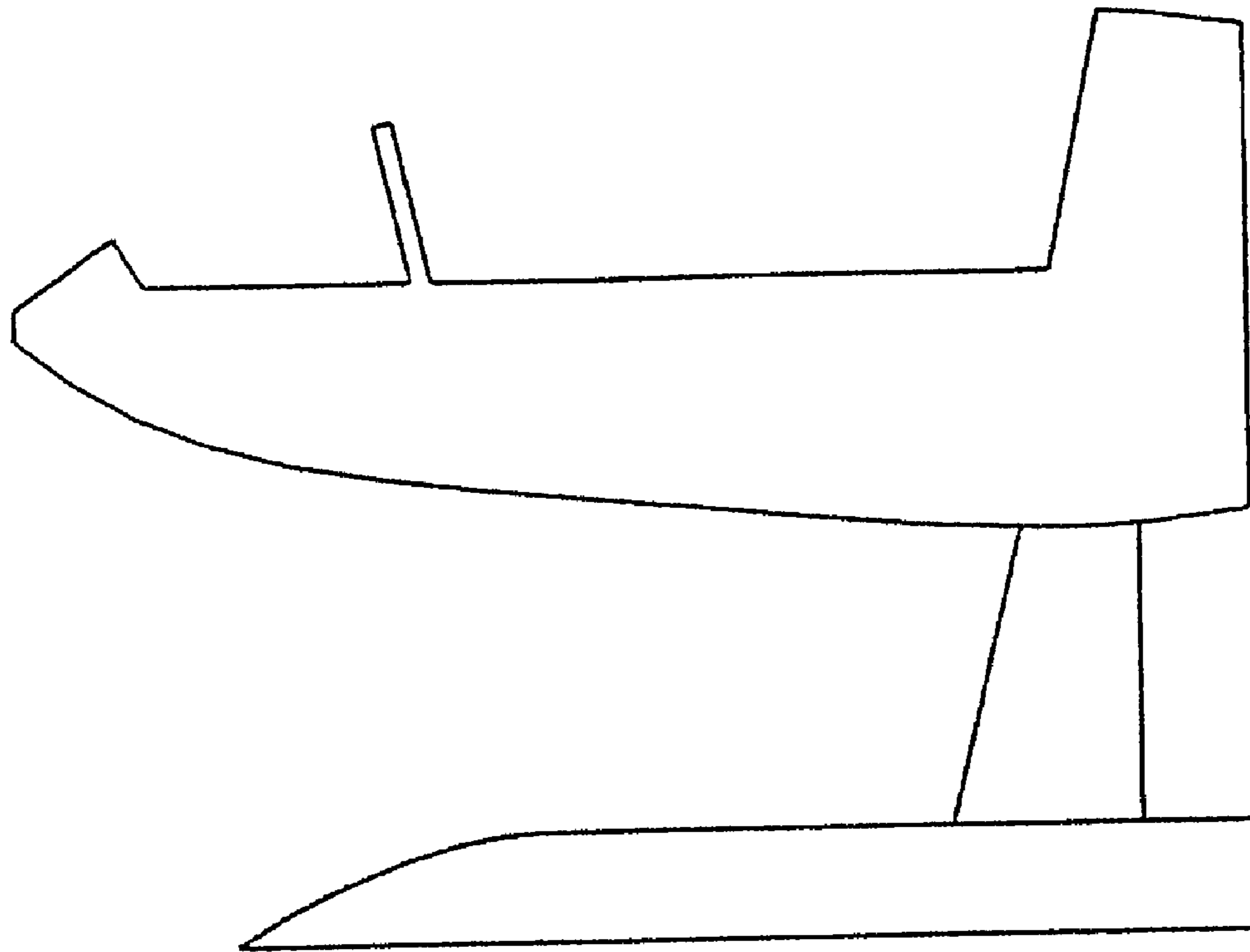


Fig. 3

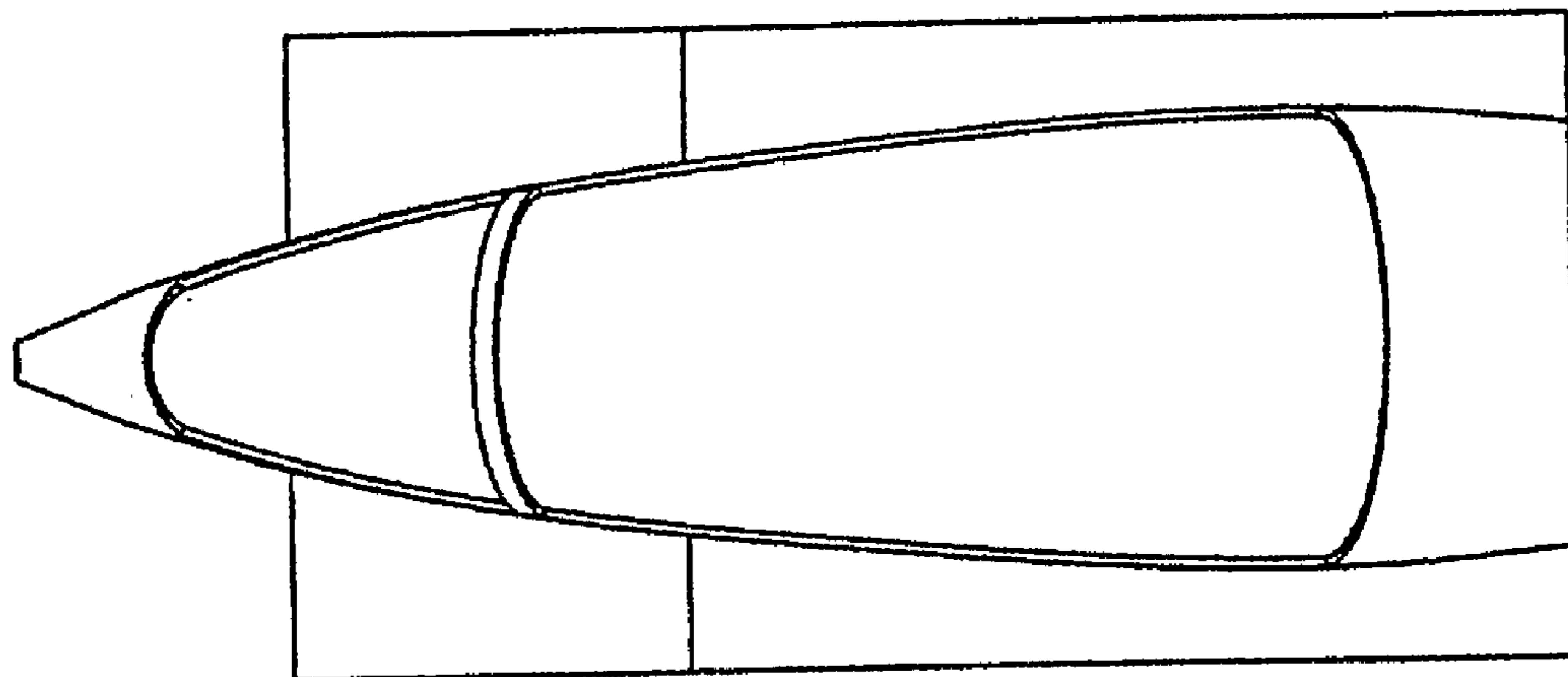


Fig. 4