

US00D545368S

(12) **United States Design Patent**
Cetera

(10) **Patent No.:** **US D545,368 S**

(45) **Date of Patent:** **** Jun. 26, 2007**

(54) **PEN PUSH BUTTON**

(75) Inventor: **Carl Cetera**, Tenafly, NJ (US)

(73) Assignee: **Cotapaxi Custom Design and Manufacturing, LLC**, Carlstadt, NJ (US)

(**) Term: **14 Years**

(21) Appl. No.: **29/249,726**

(22) Filed: **Oct. 19, 2006**

Related U.S. Application Data

(62) Division of application No. 29/231,444, filed on Jun. 2, 2005, now Pat. No. Des. 536,035.

(51) **LOC (8) Cl.** **19-06**

(52) **U.S. Cl.** **D19/54**

(58) **Field of Classification Search** D19/35, D19/36, 41-51, 54-57; 24/11 R, 11 F, 11 P; 401/52, 99, 100, 104, 105, 106, 107, 108, 401/109, 192, 195, 196
See application file for complete search history.

(56) **References Cited**

U.S. PATENT DOCUMENTS

- D152,771 S * 2/1949 Cutler D14/244
- D402,694 S * 12/1998 Perrin et al. D19/51
- D404,763 S * 1/1999 Shimizu D19/47
- D465,520 S * 11/2002 Pan D19/49

- D489,759 S * 5/2004 Shimizu D19/50
- D495,003 S * 8/2004 Cetera D19/51
- D497,180 S * 10/2004 Cetera D19/36
- D526,020 S * 8/2006 Cetera D19/47
- D533,903 S 12/2006 Cetera
- D535,697 S * 1/2007 Cetera D19/51
- D536,035 S * 1/2007 Cetera D19/51

OTHER PUBLICATIONS

U.S. Appl. No. 29/249,730, Carl Cetera.

* cited by examiner

Primary Examiner—Elizabeth A. Albert

(74) *Attorney, Agent, or Firm*—The Soni Law Firm

(57) **CLAIM**

The ornamental design for a pen push button, as shown and described.

DESCRIPTION

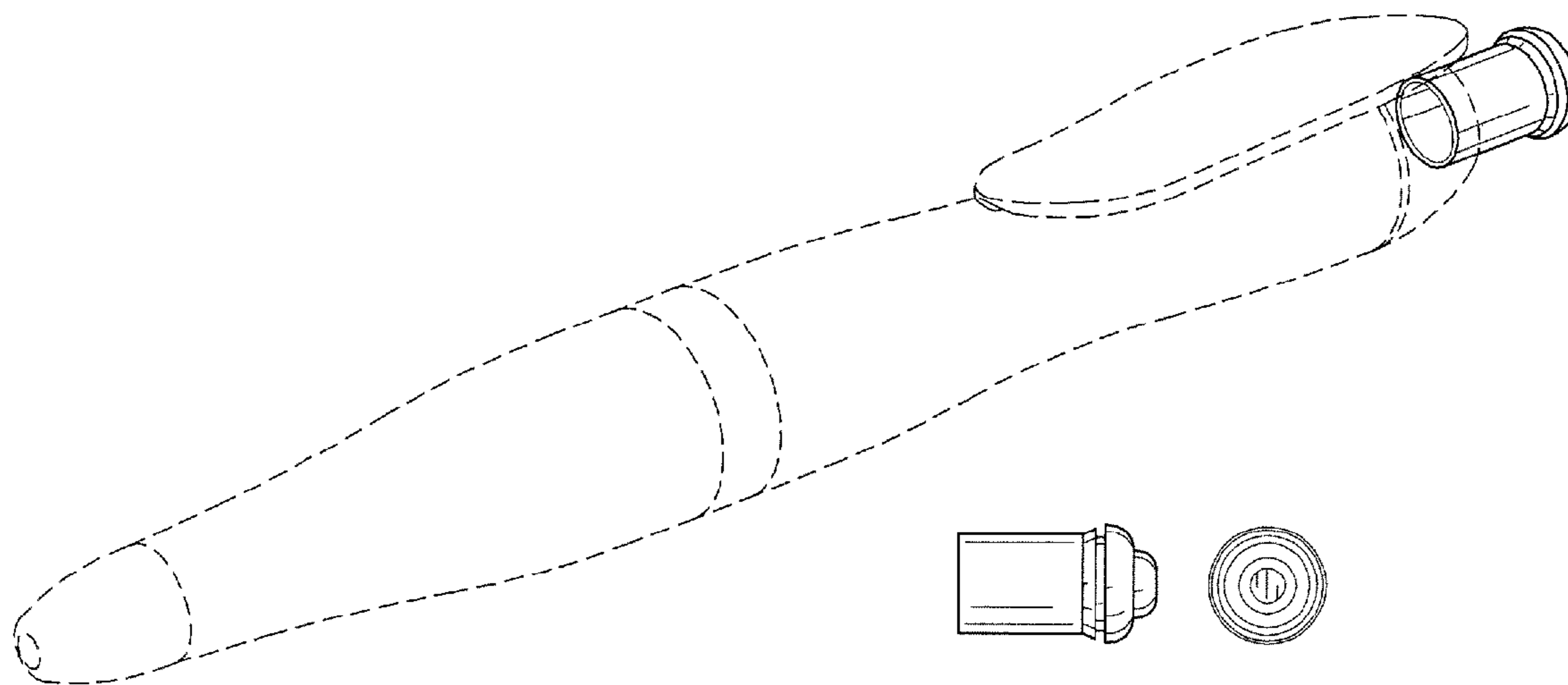
FIG. 1 is a front side bottom perspective view of a pen push button showing my new design, with phantom lines depicting environmental structure and forming no part of the claimed design;

FIG. 2 is a front elevational view thereof which is a mirror image of the back and side views;

FIG. 3 is a bottom plan view thereof; and,

FIG. 4 is a top plan view thereof.

1 Claim, 1 Drawing Sheet



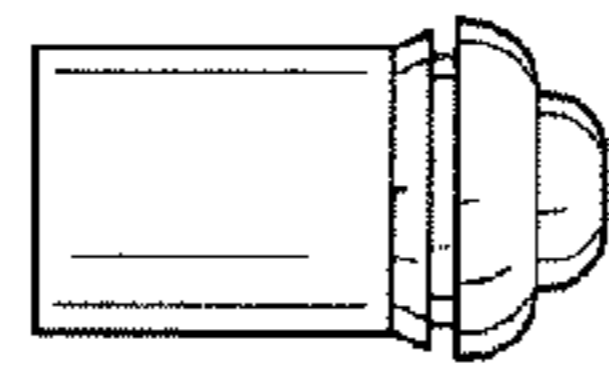
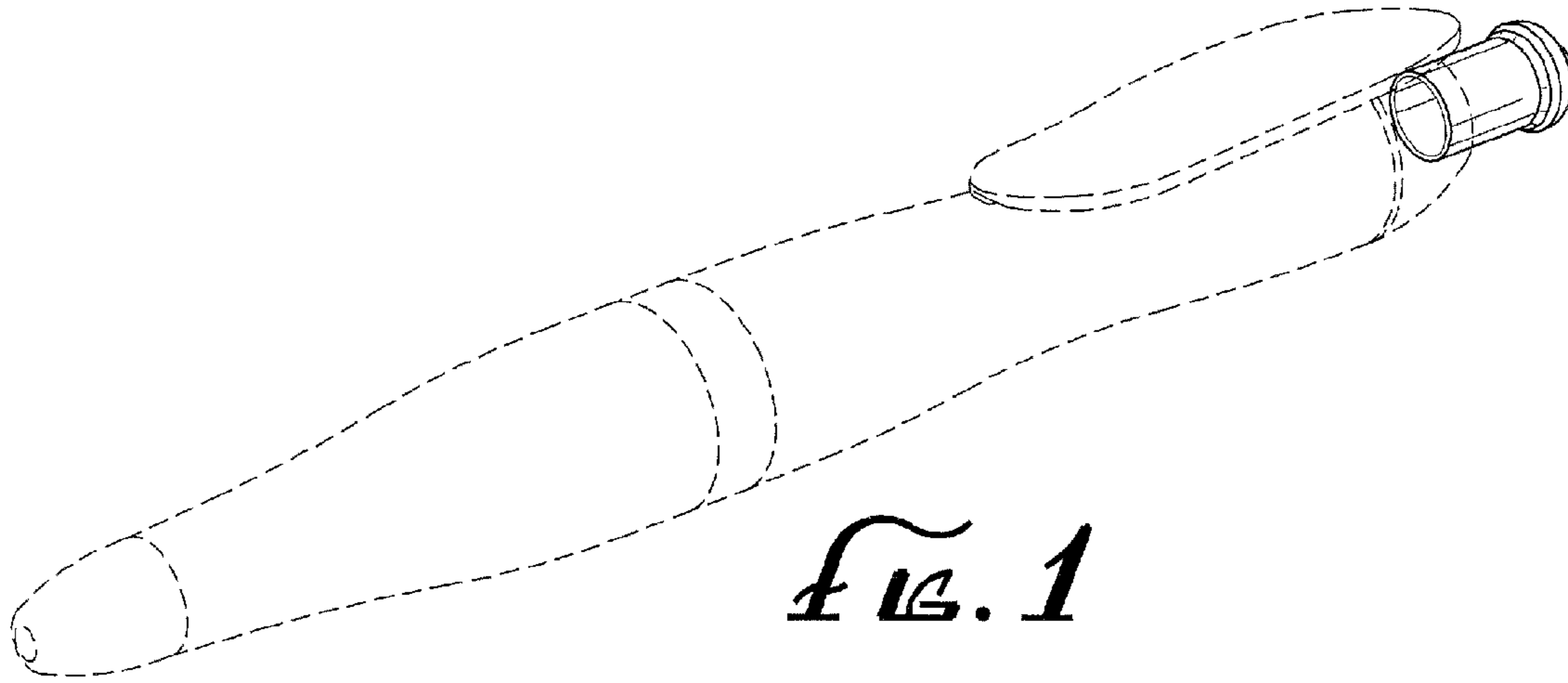


FIG. 2



FIG. 3

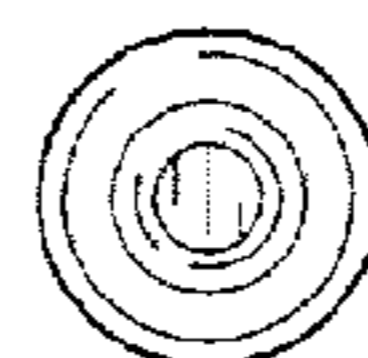


FIG. 4