



US00D545364S

(12) **United States Design Patent**
Ternovits

(10) **Patent No.:** **US D545,364 S**

(45) **Date of Patent:** **** Jun. 26, 2007**

(54) **MARKER AND CAP**

(75) Inventor: **Scott Ternovits**, Chicago, IL (US)

(73) Assignee: **OMX, Inc.**, Naperville, IL (US)

(**) Term: **14 Years**

(21) Appl. No.: **29/254,076**

(22) Filed: **Feb. 15, 2006**

(51) **LOC (8) Cl.** **19-06**

(52) **U.S. Cl.** **D19/43**

(58) **Field of Classification Search** D19/35,
D19/36, 41-51, 53-57; 24/11 R, 11 F, 11 P;
401/52, 99, 100, 104, 105, 106, 107, 108,
401/109, 192, 195, 196

See application file for complete search history.

(56) **References Cited**

U.S. PATENT DOCUMENTS

4,238,162 A	12/1980	Sherwood	
4,341,482 A	7/1982	Wollensak	
D301,252 S *	5/1989	Ohashi et al.	D19/43
D331,940 S *	12/1992	Shirai et al.	D19/51
D400,922 S	11/1998	Sakuno	
D403,704 S	1/1999	Arita	
5,897,264 A	4/1999	Baudino	
D414,201 S	9/1999	Larson et al.	
D414,807 S	10/1999	Baudino et al.	
D423,577 S	4/2000	Baudino et al.	
D425,120 S	5/2000	Ramil	
D426,573 S	6/2000	Sekine et al.	
D430,212 S	8/2000	Keda	
D430,609 S	9/2000	Keda	
D441,398 S *	5/2001	Owen et al.	D19/49
D442,635 S	5/2001	Izushima	
D442,636 S	5/2001	Kobayashi	
D446,242 S	8/2001	Stukenkemper	
D452,271 S	12/2001	Owen et al.	
D452,878 S	1/2002	Candelora et al.	

6,435,752 B1 *	8/2002	Chang	401/242
D462,716 S	9/2002	Tsuchida et al.	
D464,676 S	10/2002	Leo et al.	
D471,587 S *	3/2003	Hautzinger	D19/43
D472,577 S	4/2003	Sakuno et al.	
D472,928 S	4/2003	Ikeda	

(Continued)

OTHER PUBLICATIONS

Specialty Warehouse website, <http://promoplace.com/logoclick>, advertisement for Ballpoint Magnet Pen, 2005 Quick Technologies, Inc., 2 pages (publication date unknown).

Primary Examiner—Elizabeth A. Albert

(74) *Attorney, Agent, or Firm*—Klarquist Sparkman, LLP

(57) **CLAIM**

The ornamental design for a marker and cap, as shown and described.

DESCRIPTION

FIG. 1 is a perspective view of a marker and cap showing my new design;

FIG. 2 is a left side view of FIG. 1, the right side view being a mirror image thereof;

FIG. 3 is a top plan view of FIG. 1;

FIG. 4 is a bottom plan view of FIG. 1;

FIG. 5 is a rear view of FIG. 1;

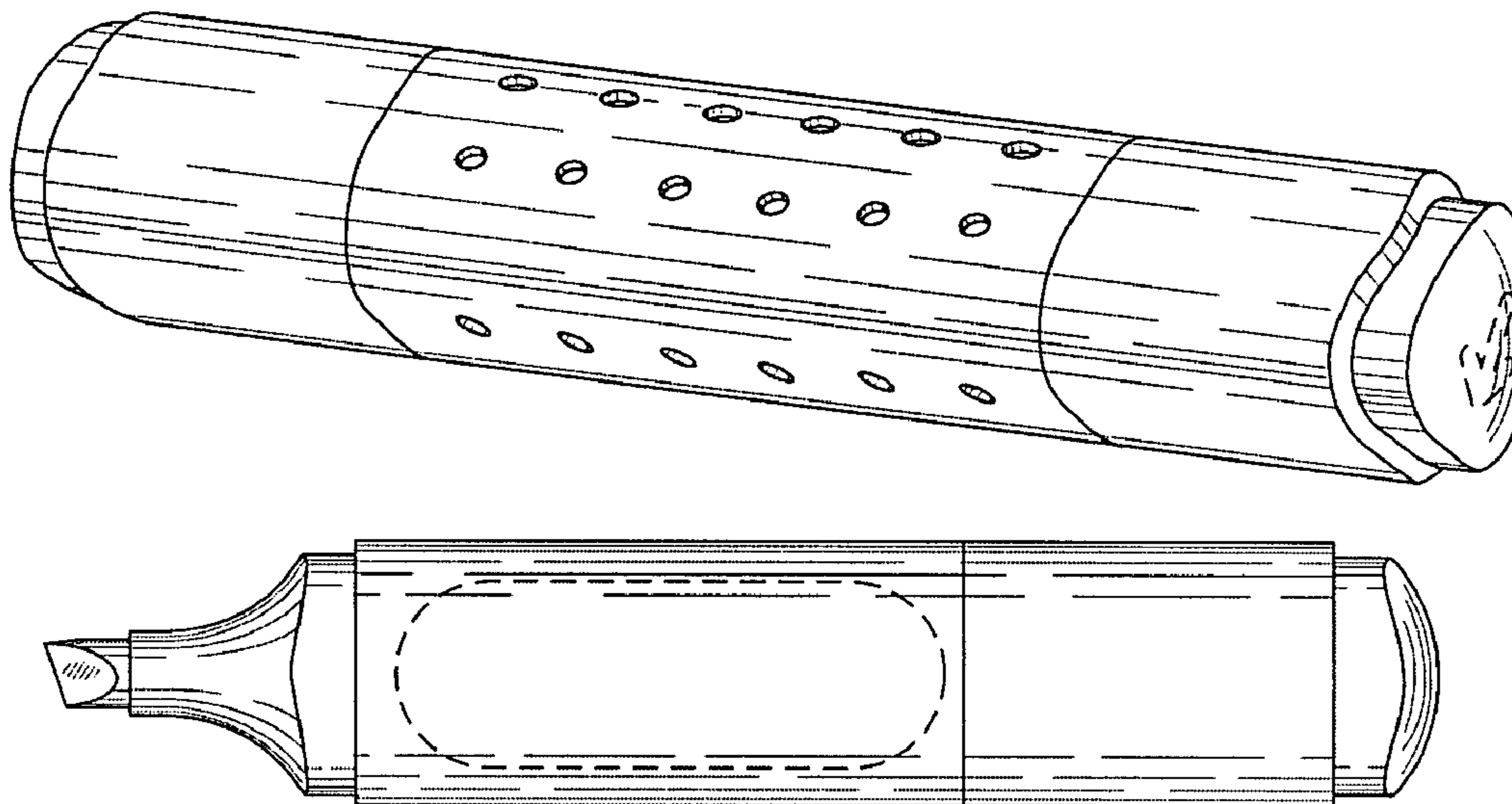
FIG. 6 is a left side view of FIG. 1, shown without the cap for convenience of illustration, the right side view being a mirror image thereof;

FIG. 7 is a bottom plan view of FIG. 6; and,

FIG. 8 is a rear view of the FIG. 6.

The broken lines shown in the drawings are for illustrative purposes only and form no part of the claimed design.

1 Claim, 1 Drawing Sheet



US D545,364 S

Page 2

U.S. PATENT DOCUMENTS

D482,397 S	*	11/2003	Hui	D19/43	D504,698 S	5/2005	Delaney	
D495,362 S		8/2004	Qiu		D506,501 S	6/2005	Qiu	
D496,398 S	*	9/2004	Greenberg	D19/43	D508,083 S	8/2005	Cetera	
D500,793 S		1/2005	Koch		D508,264 S	8/2005	Losel	
D501,882 S		2/2005	Hamilton, Jr. et al.		D508,530 S	8/2005	Qiu	
D504,153 S		4/2005	Yang		D535,330 S	*	1/2007	Hung

* cited by examiner

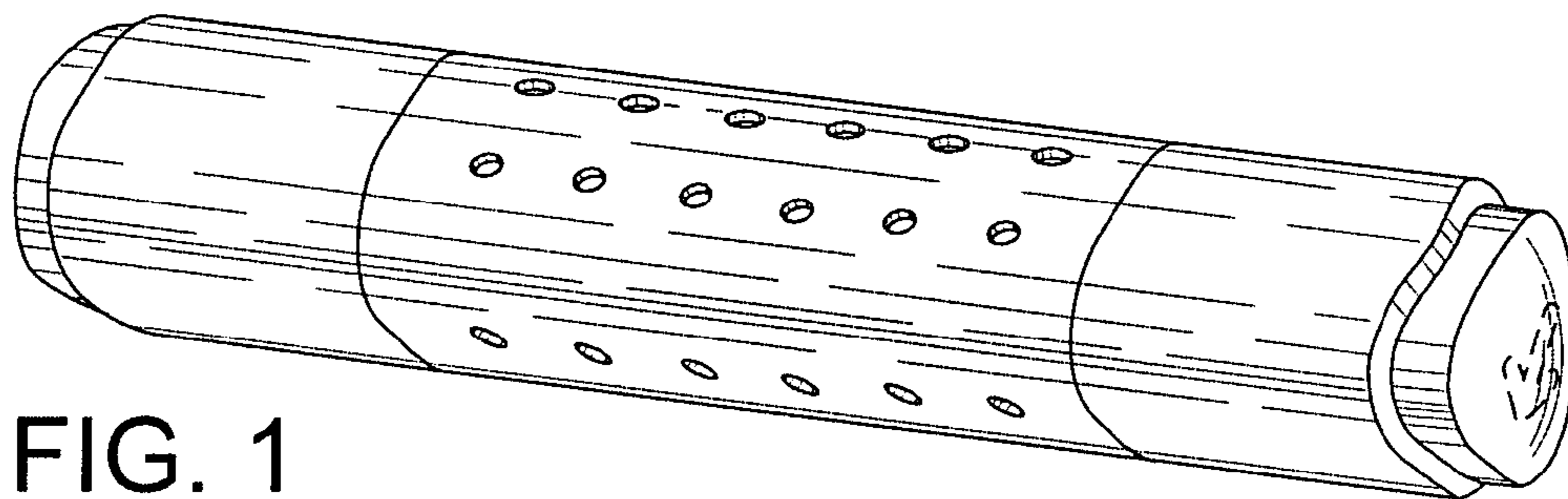


FIG. 1

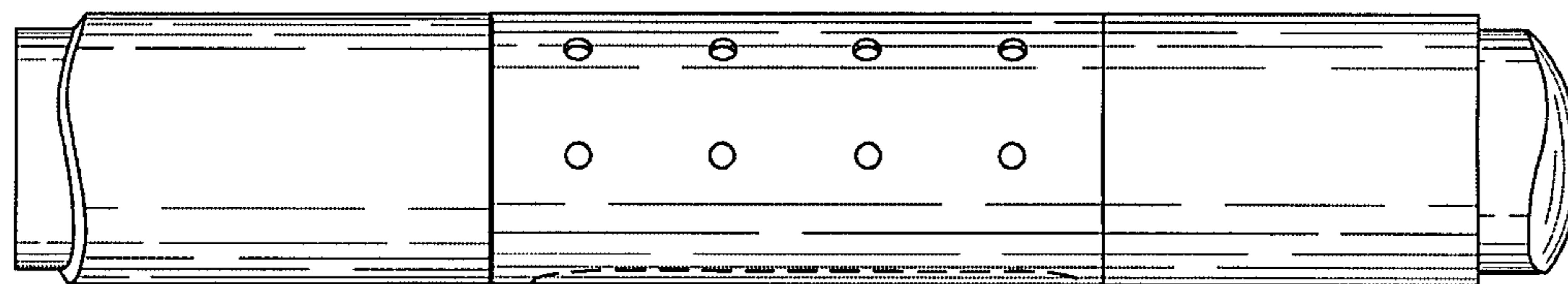


FIG. 2

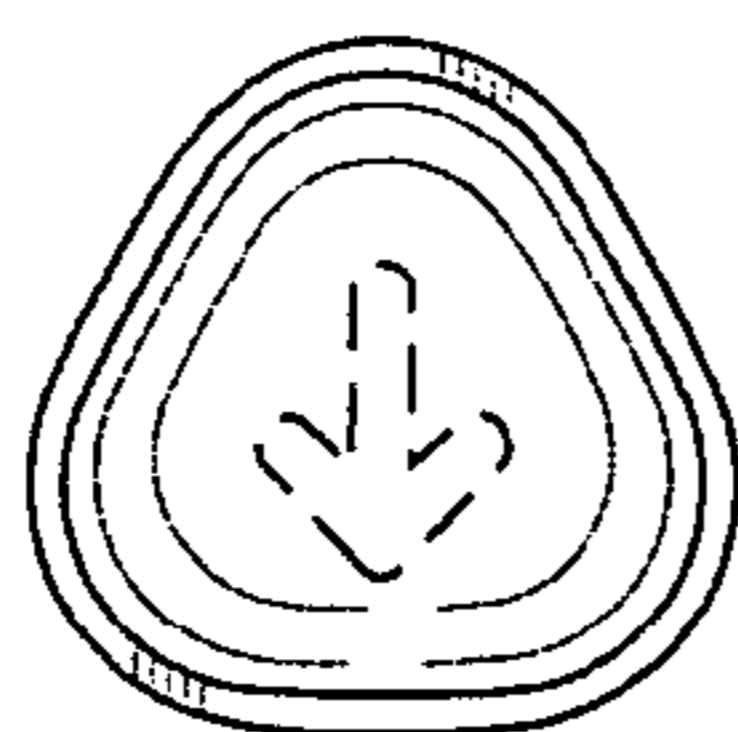


FIG. 3

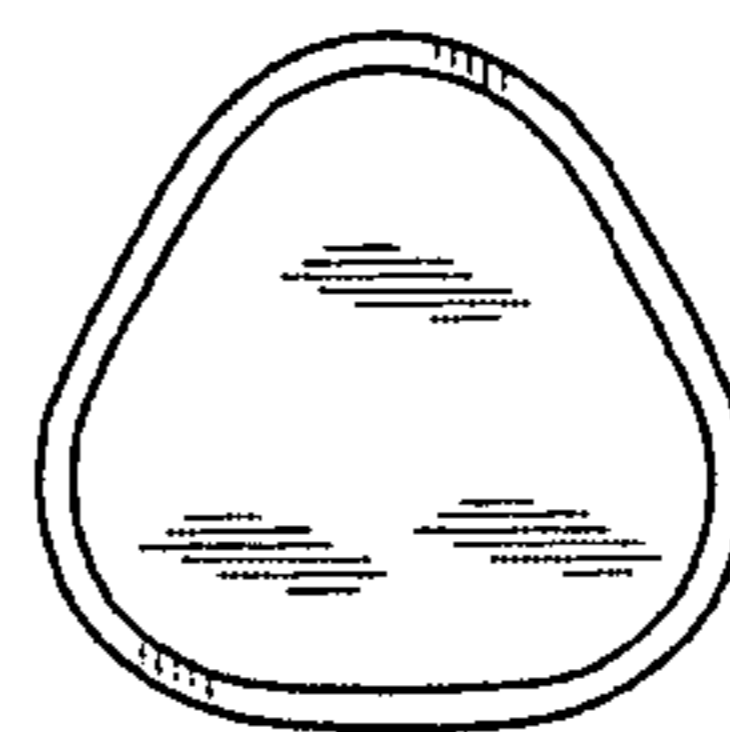


FIG. 4

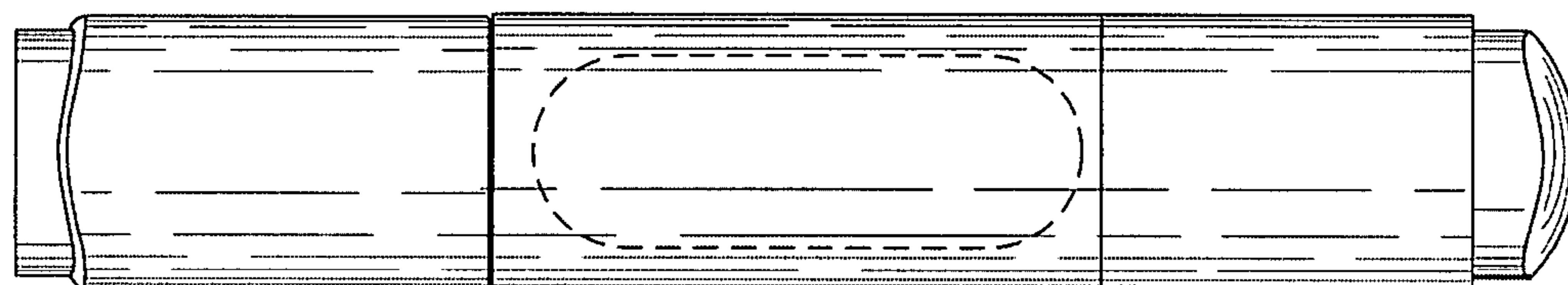


FIG. 5

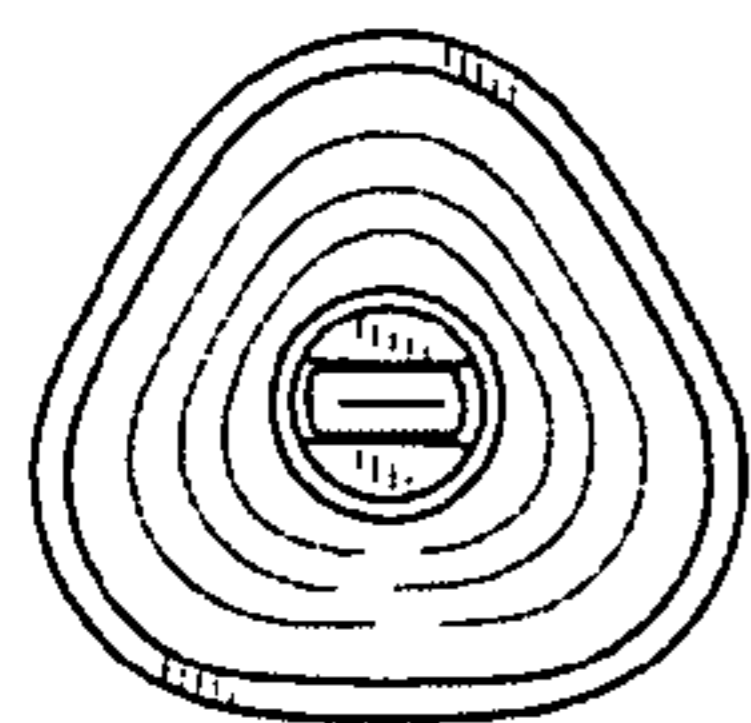


FIG. 7

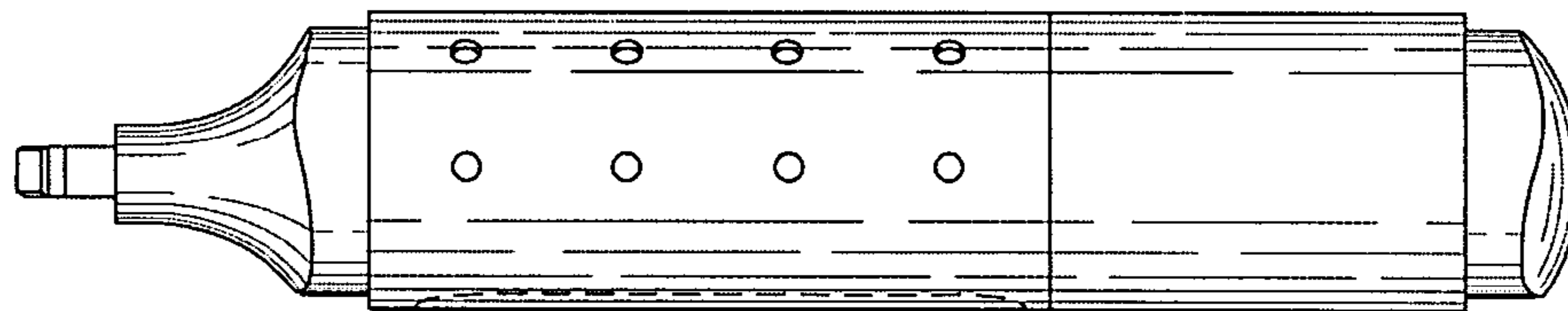


FIG. 6

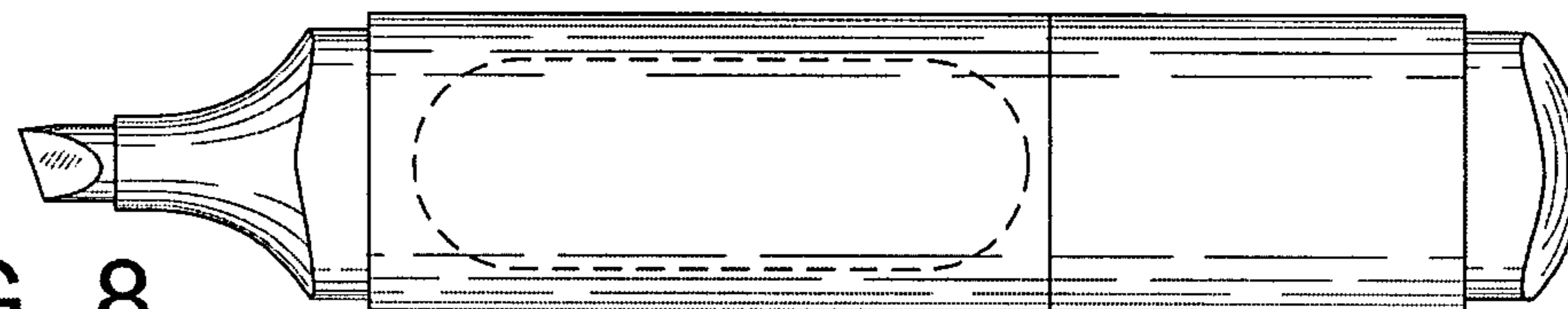


FIG. 8