

US00D545363S

(12) **United States Design Patent**  
**McCormack**

(10) **Patent No.:** **US D545,363 S**

(45) **Date of Patent:** **\*\* Jun. 26, 2007**

(54) **BINDER**

(75) Inventor: **Leanne McCormack**, Unadilla, NY  
(US)

(73) Assignee: **MeadWestvaco Corporation**, Glen  
Allen, VA (US)

(\*\*) Term: **14 Years**

(21) Appl. No.: **29/249,965**

(22) Filed: **Oct. 27, 2006**

(51) **LOC (8) Cl.** ..... **19-04**

(52) **U.S. Cl.** ..... **D19/27**

(58) **Field of Classification Search** ..... D19/32,  
D19/27, 26; D3/247, 276, 201, 249, 273,  
D3/294, 274, 243, 245; 281/29, 38, 27.3;  
402/3, 4, 31, 19

See application file for complete search history.

(56) **References Cited**

U.S. PATENT DOCUMENTS

D279,113 S *	6/1985	Beall	.....	D19/26
D285,809 S *	9/1986	Sindler	.....	D19/27
D303,809 S *	10/1989	Klein	.....	D19/27
D319,146 S *	8/1991	Vittetoe	.....	D3/249
D319,345 S *	8/1991	Rayburn	.....	D6/630
D322,987 S *	1/1992	Testro et al.	.....	D19/26
D324,877 S *	3/1992	Schimmel	.....	D19/27
D329,745 S *	9/1992	O'Brien	.....	D3/249
D330,115 S *	10/1992	O'Brien	.....	D3/249
D332,006 S *	12/1992	Ross	.....	D3/243

D358,166 S *	5/1995	Deutch	.....	D19/26
D393,874 S *	4/1998	Hodes	.....	D19/27
D420,385 S *	2/2000	Inbert	.....	D19/27
D462,518 S *	9/2002	Truffier-Blanc et al.	.....	D3/273
D482,162 S *	11/2003	Bostroem	.....	D28/77
D502,502 S *	3/2005	Brann	.....	D19/26
D513,279 S *	12/2005	Hough et al.	.....	D19/86

\* cited by examiner

*Primary Examiner*—Cathron C. Brooks

(74) *Attorney, Agent, or Firm*—George R. McGuire; Bond,  
Schoeneck & King, PLLC

(57) **CLAIM**

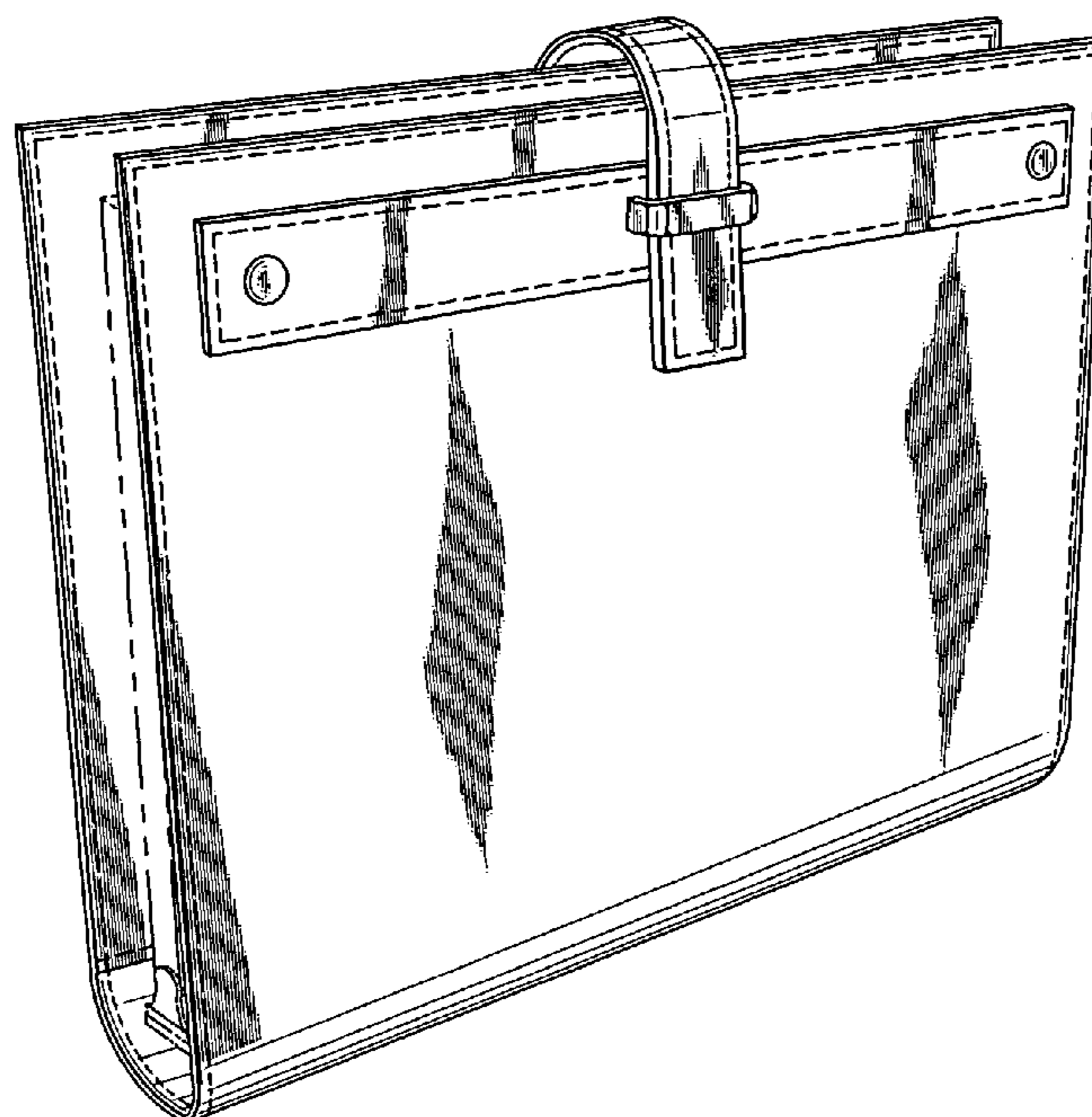
The ornamental design for a binder, shown and described.

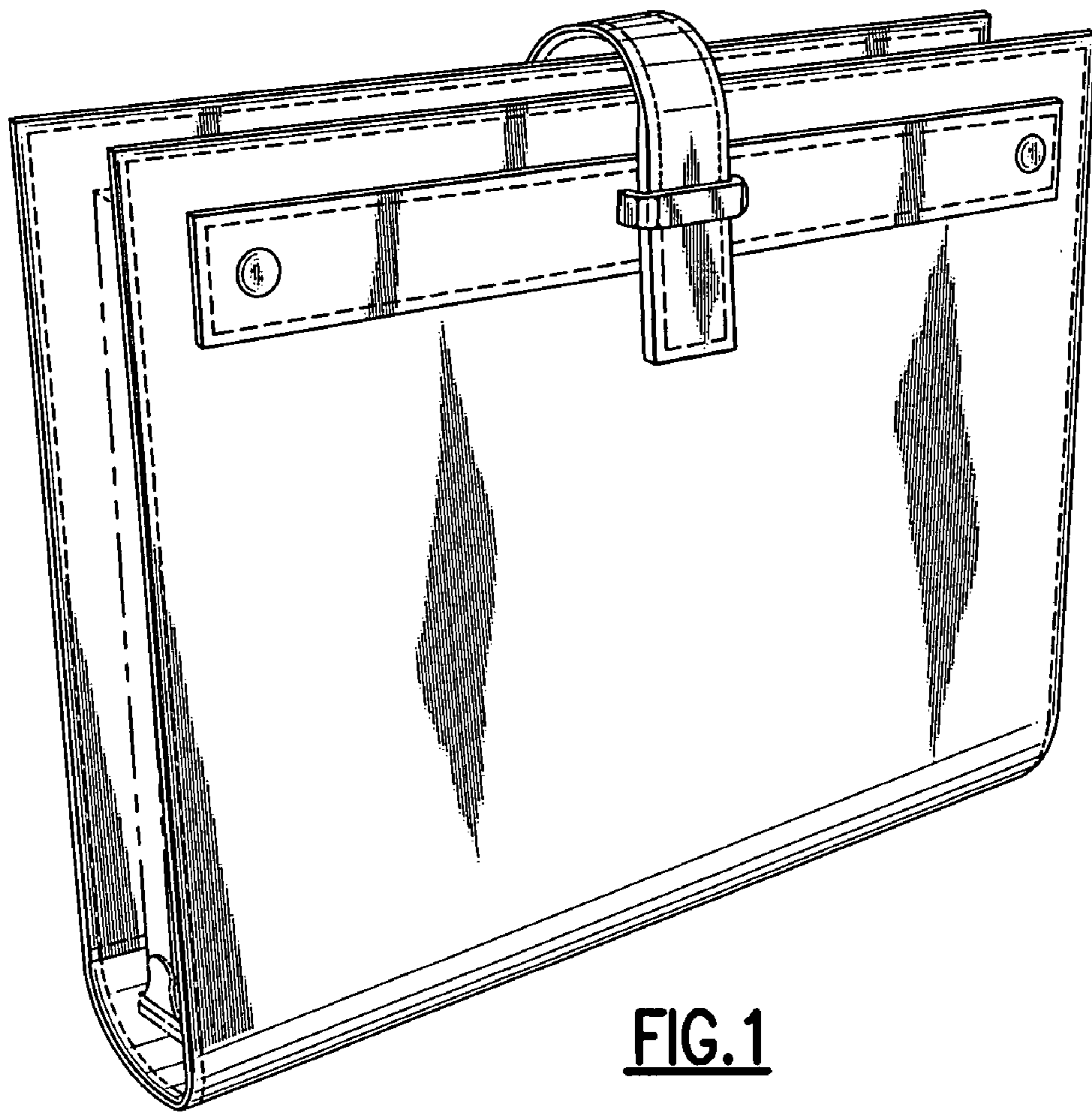
**DESCRIPTION**

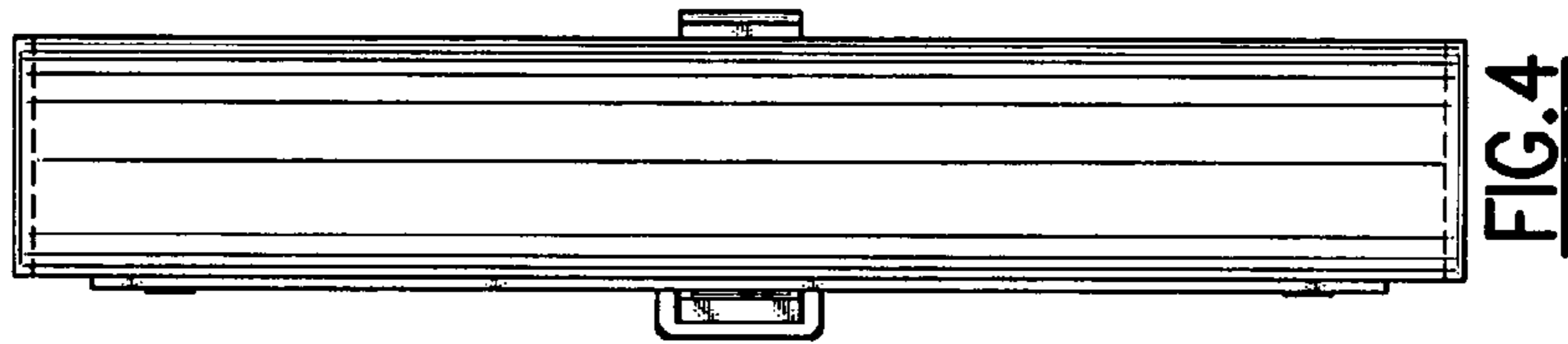
FIG. 1 is a perspective view of a new and ornamental binder;  
FIG. 2 is a front elevation view thereof;  
FIG. 3 is a left side elevation view thereof  
FIG. 4 is a right side elevation view thereof;  
FIG. 5 is a top plan view thereof;  
FIG. 6 is a bottom plan view thereof; and,  
FIG. 7 is a rear elevation view of the binder.

The dashed lines shown in FIGS. 1, 2, 4 and 7 are intended  
to be stitching. The dashed-dot-dashed lines shown in FIGS.  
1, 3, 5 and 6 are broken lines that depict unclaimed elements  
that form no part of the claimed design.

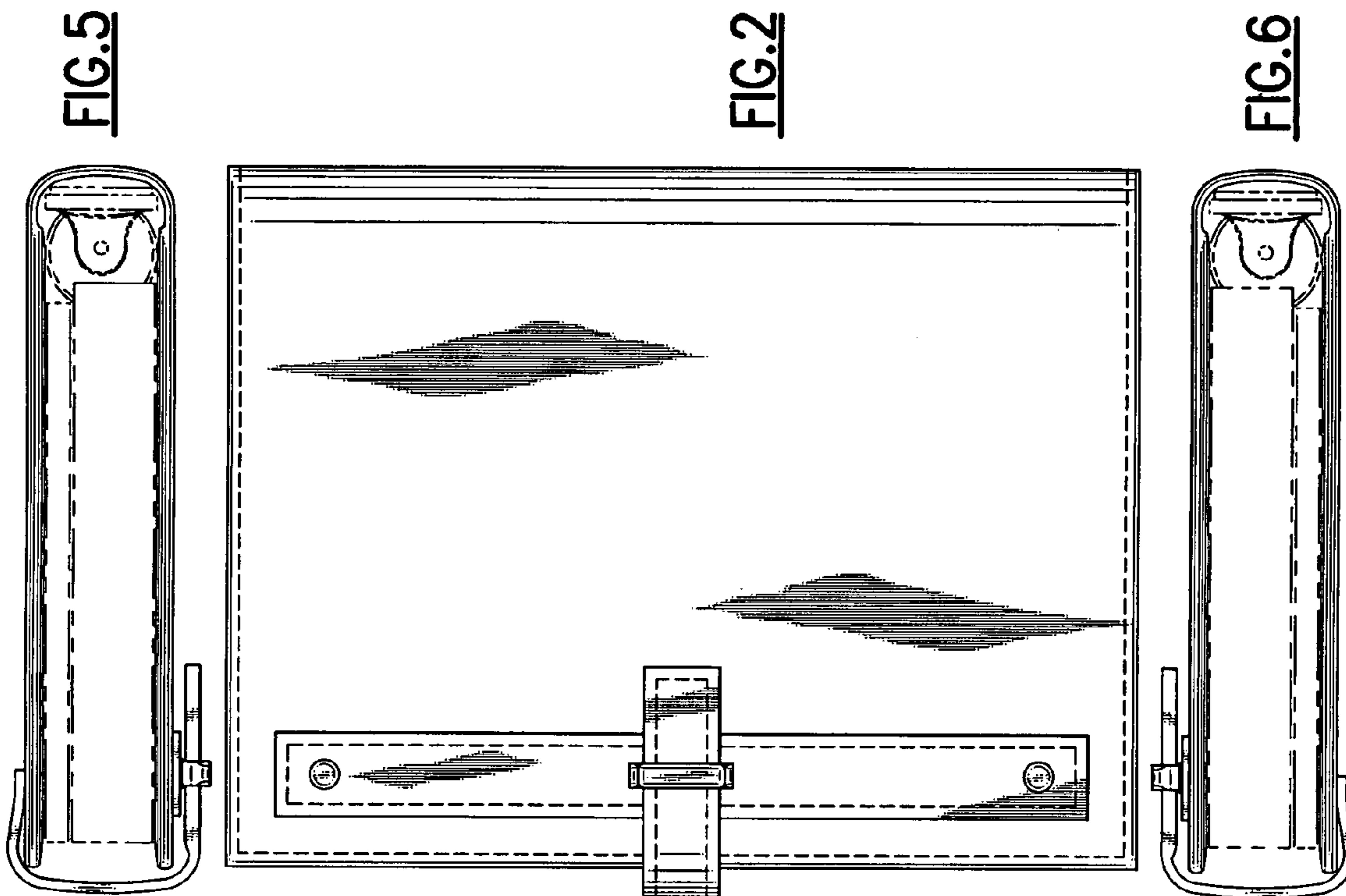
**1 Claim, 3 Drawing Sheets**







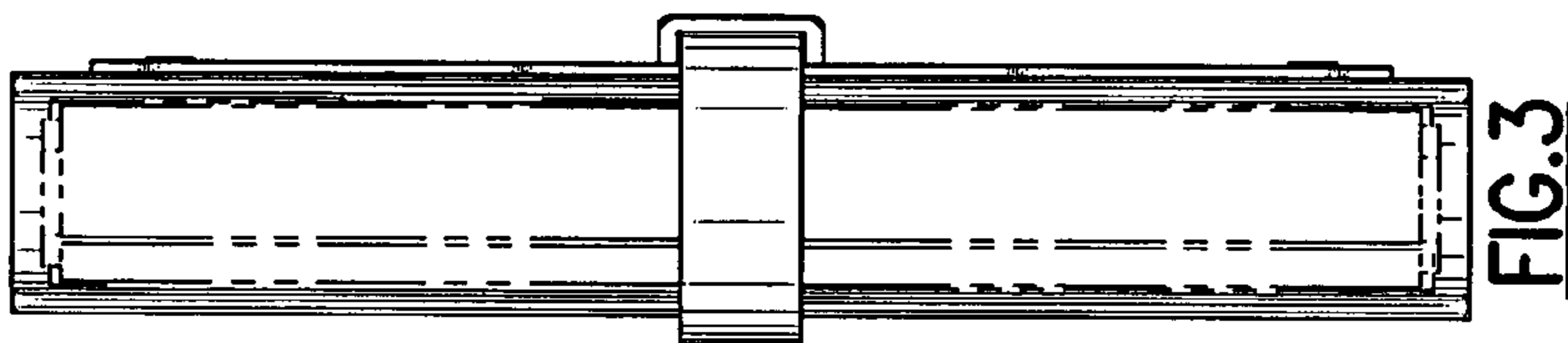
**FIG. 4**



**FIG. 5**

**FIG. 2**

**FIG. 6**



**FIG. 3**

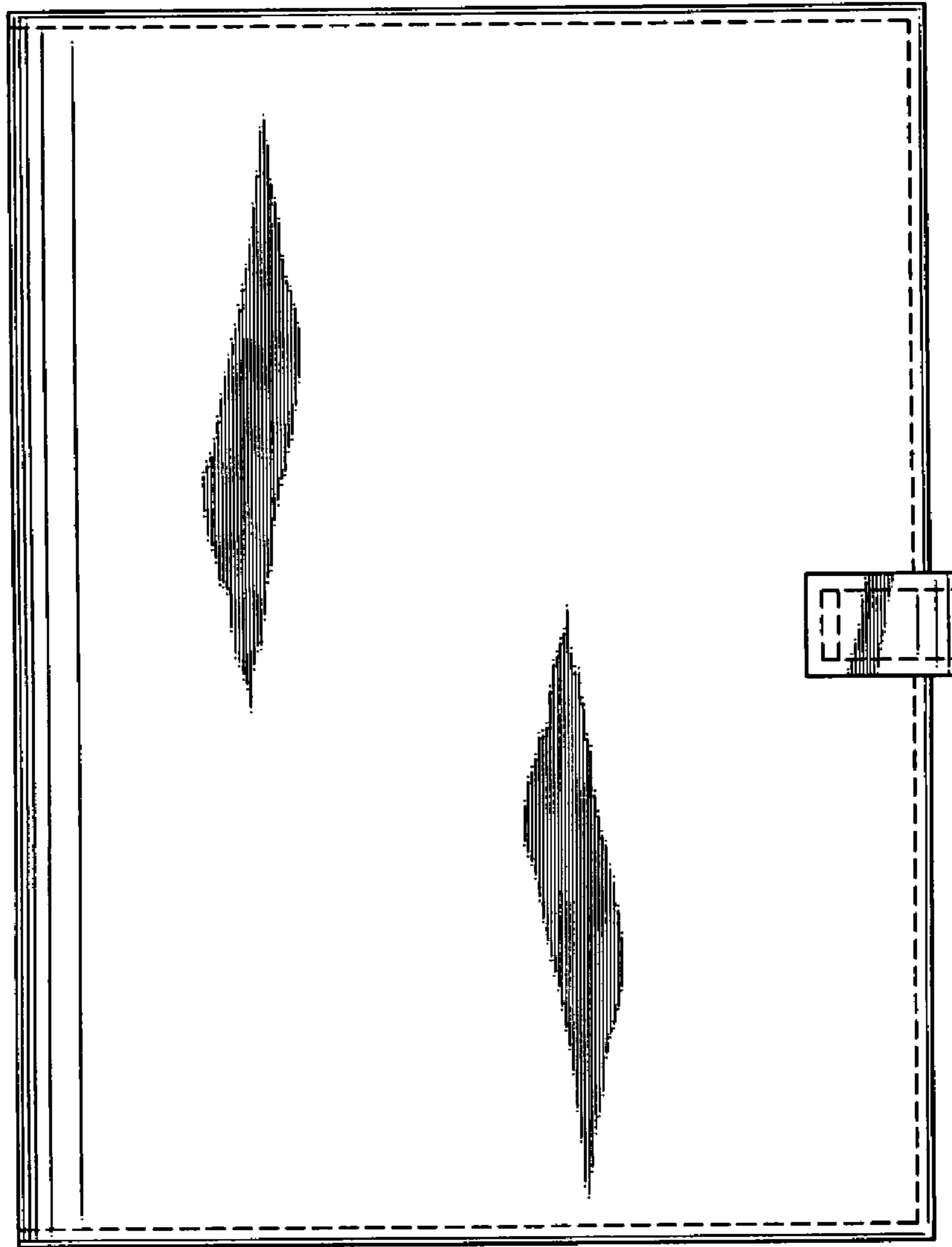


FIG.7