



US00D545360S

(12) **United States Design Patent**
Schluger

(10) **Patent No.:** **US D545,360 S**

(45) **Date of Patent:** **** Jun. 26, 2007**

(54) **MAILER**

(76) Inventor: **Allen Schluger**, 21 W. 68th St., New York, NY (US) 10023

(**) Term: **14 Years**

(21) Appl. No.: **29/228,946**

(22) Filed: **May 2, 2005**

(51) **LOC (8) Cl.** **19-01**

(52) **U.S. Cl.** **D19/3**

(58) **Field of Classification Search** D19/1-34.5, D19/75, 76, 86, 92, 95, 99; D20/43; 108/60-61; 248/44.1, 460; 211/42-3, 183, 184; 434/171; 281/15.1, 33; 229/80, 72, 75, 67.3, 68.1, 229/305, 92.7; 206/424, 224, 312, 103.3
See application file for complete search history.

(56) **References Cited**

U.S. PATENT DOCUMENTS

743,317	A *	11/1903	Naugle	229/72
3,529,765	A *	9/1970	Wemlinger	383/84
3,682,370	A *	8/1972	Rous	206/521
D366,495	S *	1/1996	Hirai	D19/3
5,503,328	A *	4/1996	Roccaforte et al.	229/301
D387,089	S *	12/1997	Despointes	D19/52
5,799,862	A *	9/1998	Gray	229/68.1
5,927,595	A *	7/1999	Mellon et al.	229/302
D452,267	S *	12/2001	Makofsky et al.	D19/3
6,328,160	B1 *	12/2001	Cooksey	206/308.1
6,564,994	B2 *	5/2003	Makofsky et al.	229/313
6,619,539	B1 *	9/2003	Schluger	229/80
6,929,401	B2 *	8/2005	Matusiewicz	383/113

* cited by examiner

Primary Examiner—Lou Zarfas

Assistant Examiner—Susan E Krakower

(74) *Attorney, Agent, or Firm*—Myron Amer

(57) **CLAIM**

The ornamental design for a mailer, as shown and described.

DESCRIPTION

FIG. 1 is an unassembled perspective view of a mailer;

FIG. 2 is an unassembled top view thereof;

FIG. 3 is an unassembled bottom view thereof;

FIG. 4 is an unassembled right side elevational view thereof, of which an unassembled left side elevational view is a mirror image;

FIG. 5 is an unassembled front view thereof;

FIG. 6 is an unassembled rear view thereof;

FIG. 7 is an assembled perspective view thereof;

FIG. 8 is an assembled top view thereof;

FIG. 9 is an assembled bottom view thereof;

FIG. 10 is an assembled front view thereof; and,

FIG. 11 is an assembled right side elevational view thereof, of which an assembled left side elevational view is a mirror image.

The broken line showing of fold lines and the adhesive area are included for the purpose of illustrating environmental structure and forms no part of the claimed design.

1 Claim, 8 Drawing Sheets

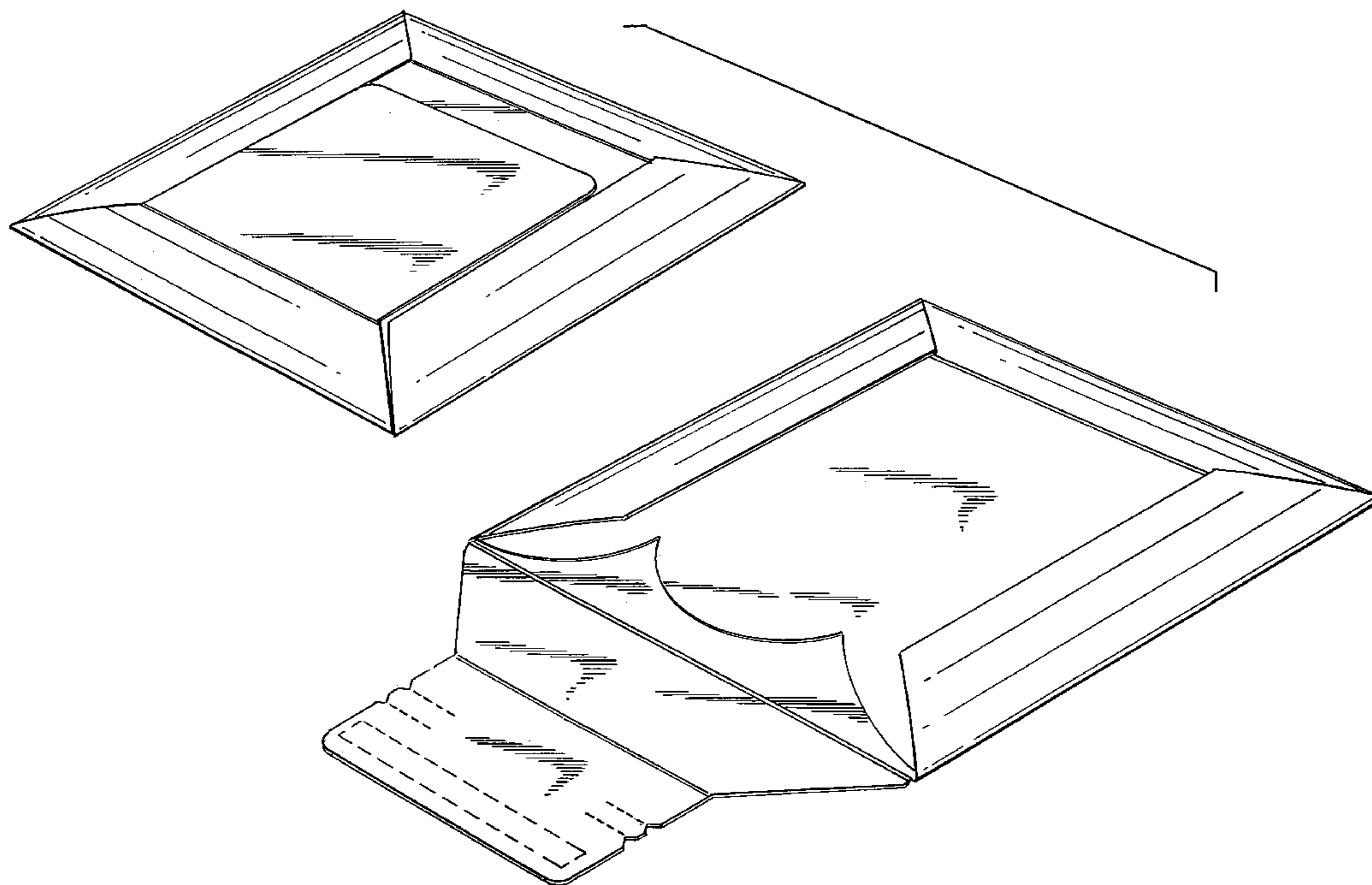
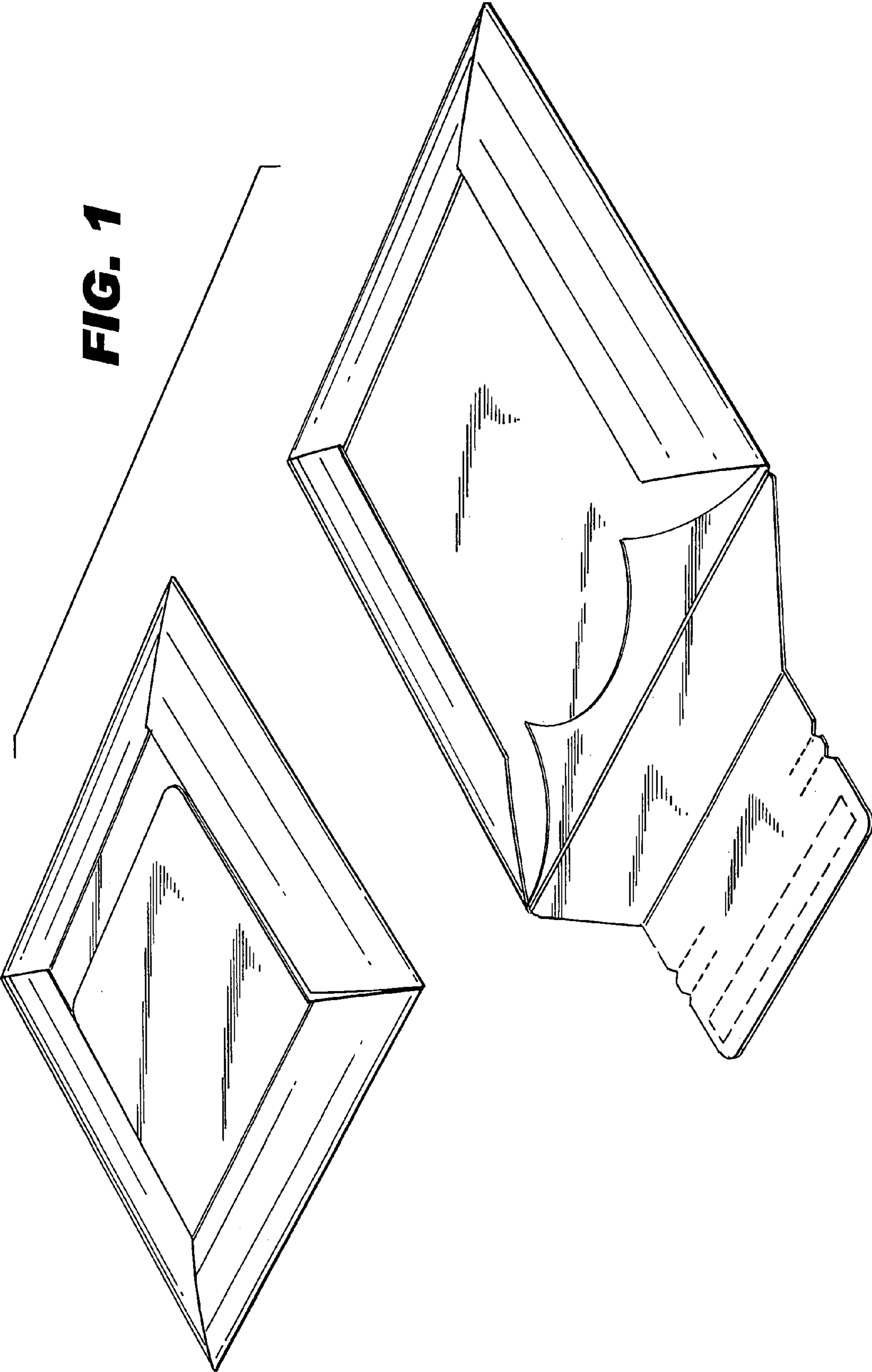


FIG. 1



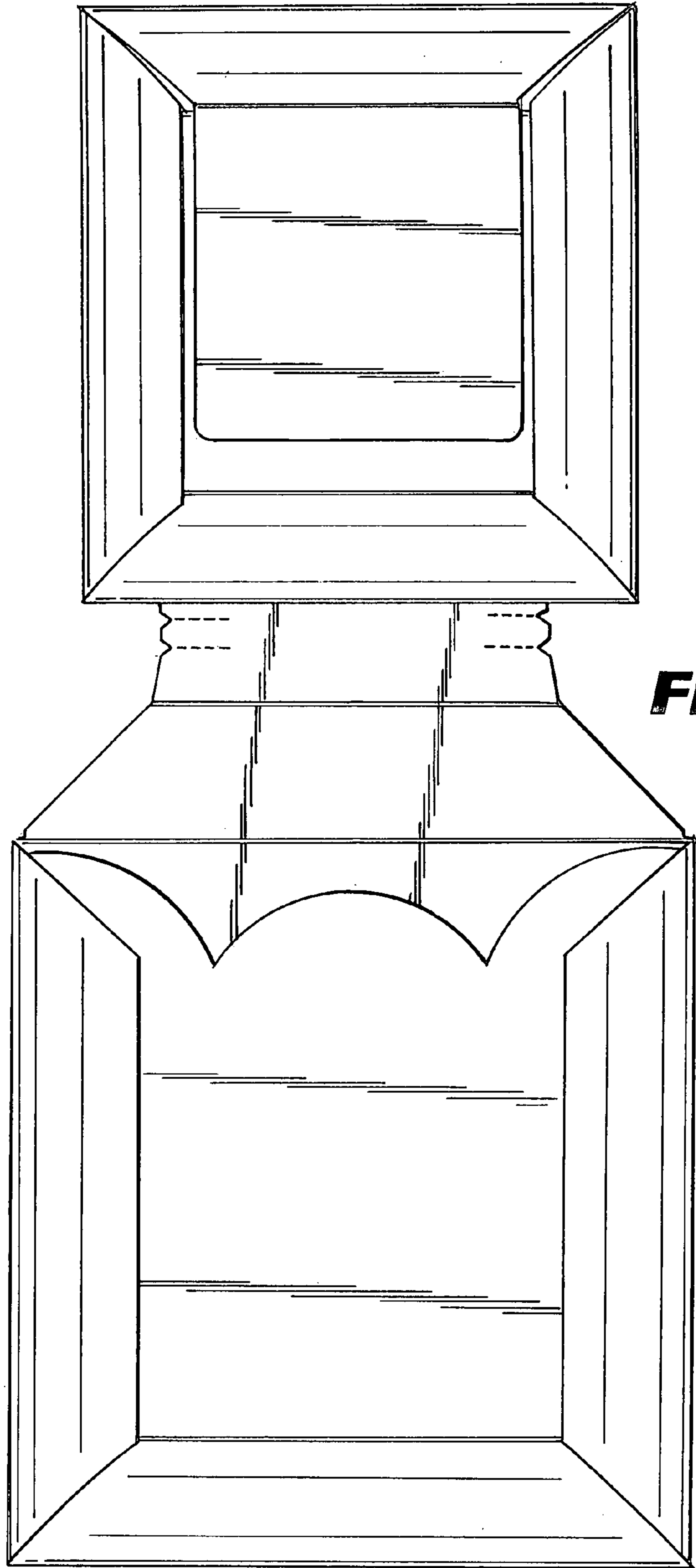


FIG. 2

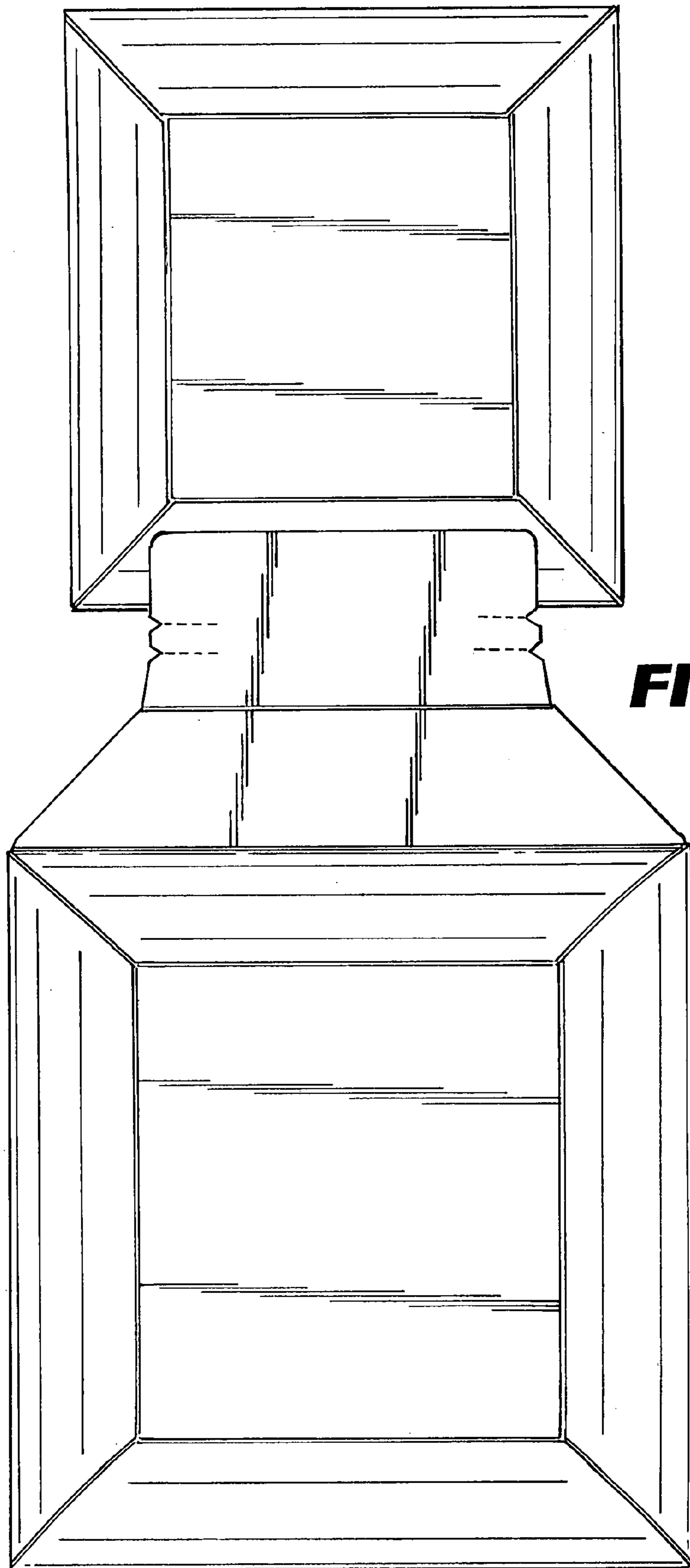


FIG. 3

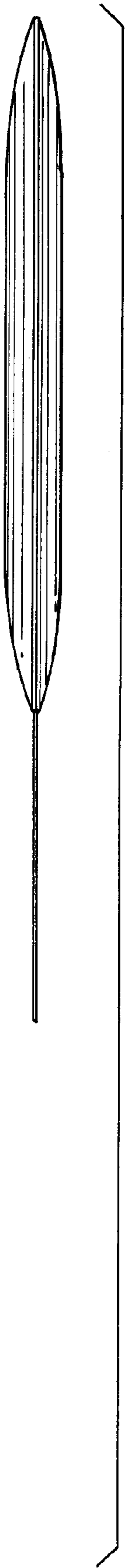
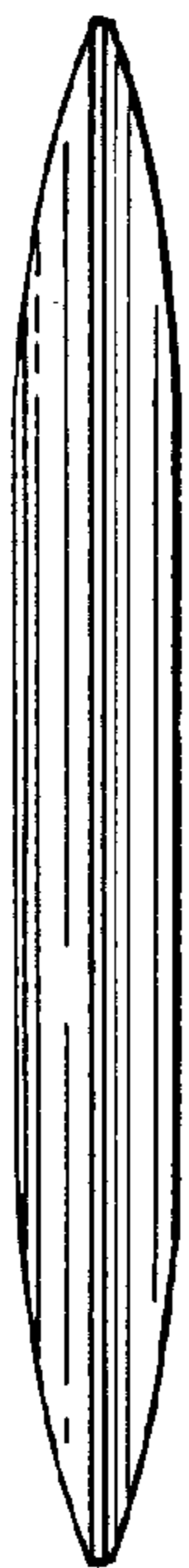


FIG. 4

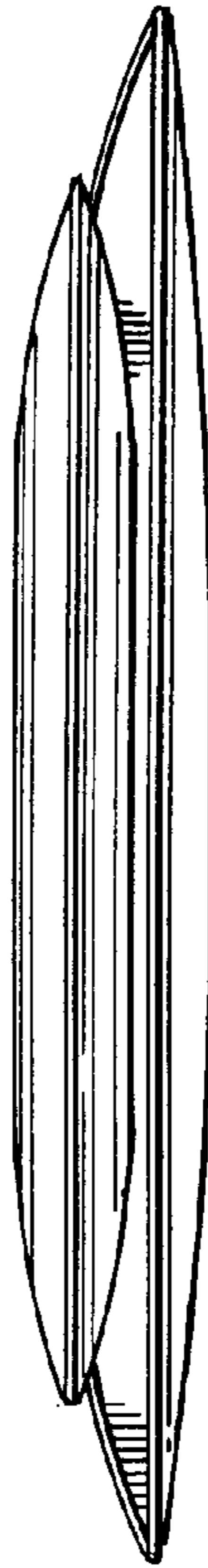
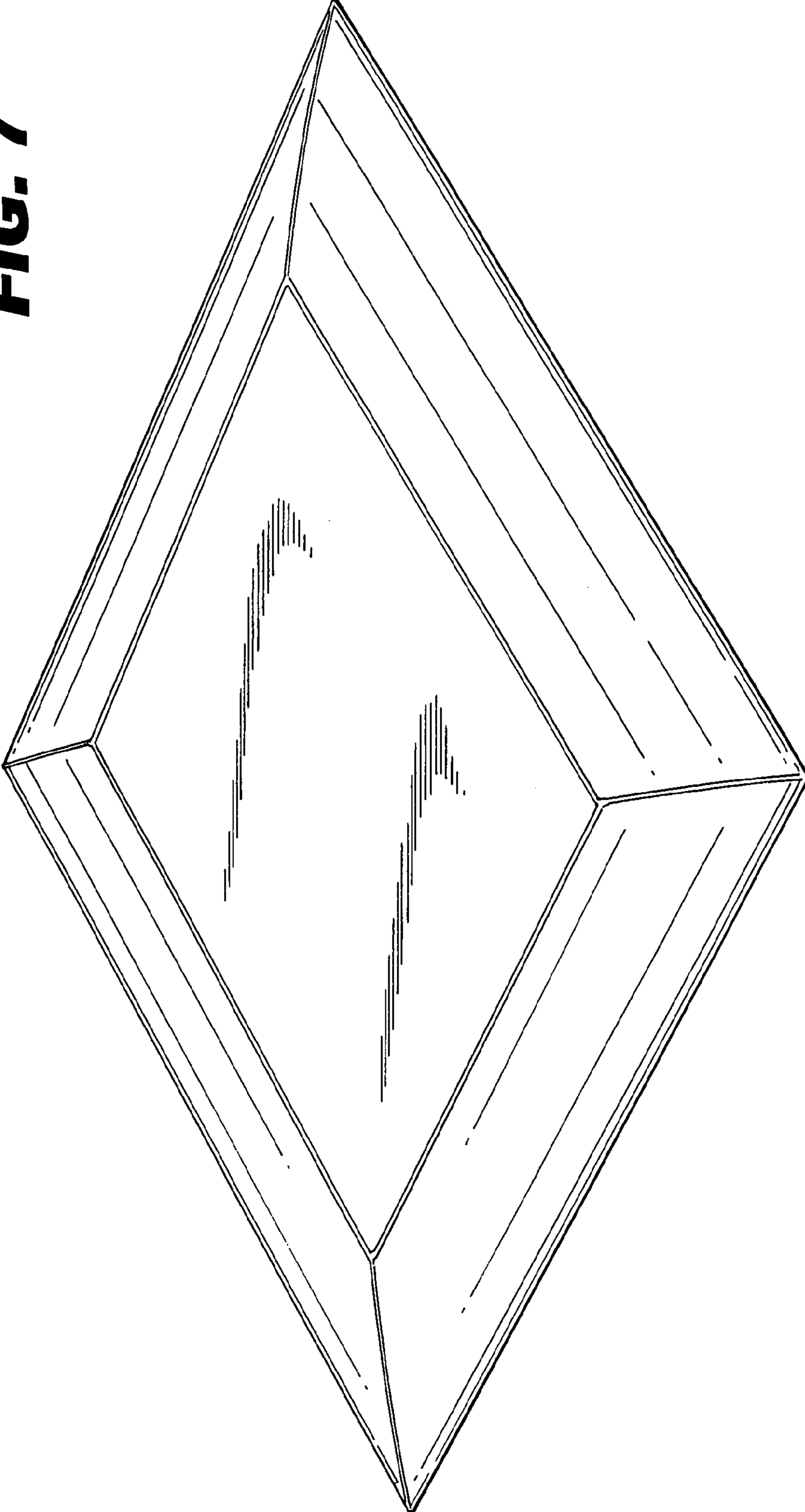


FIG. 5



FIG. 6

FIG. 7



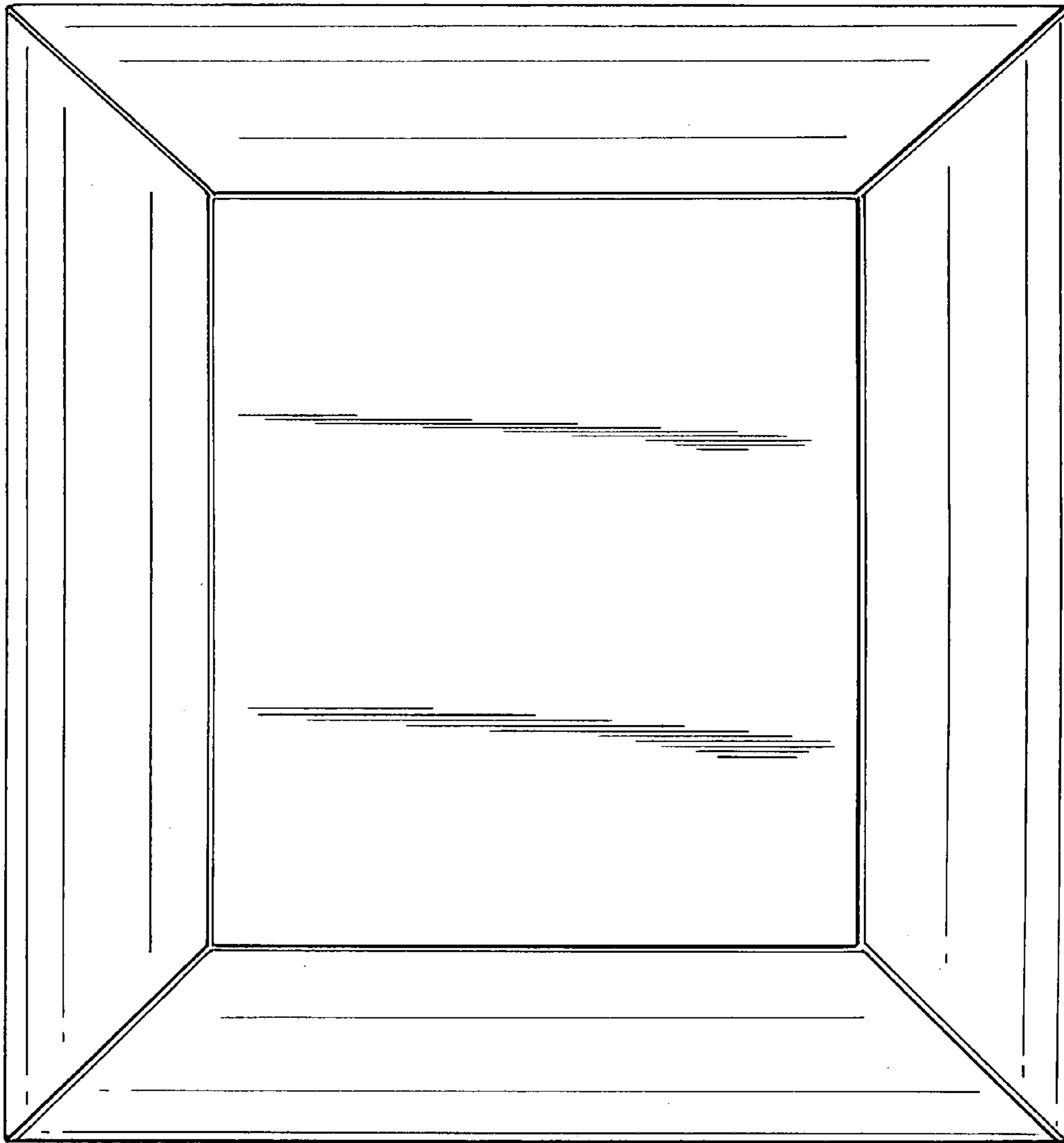


FIG. 8

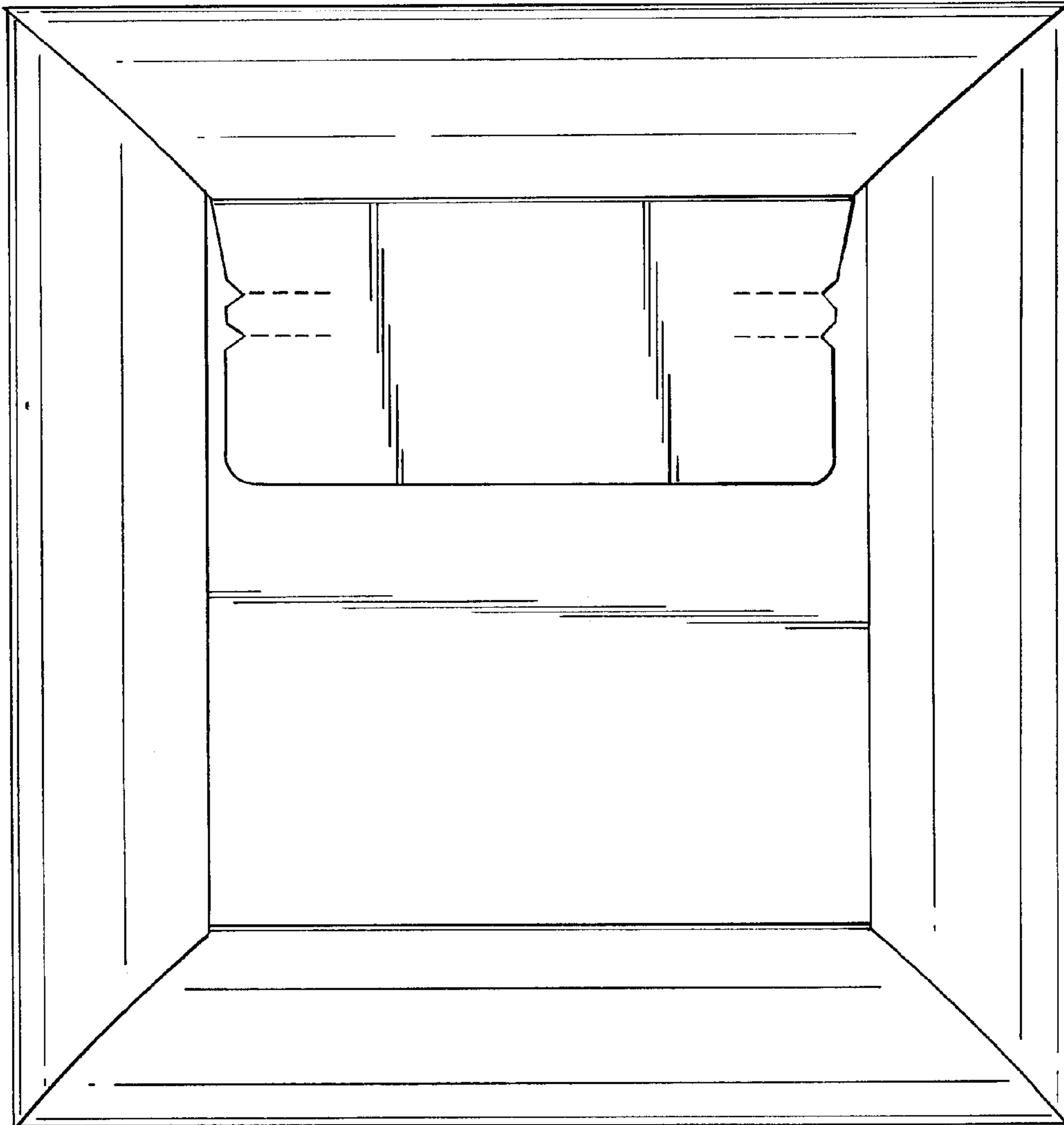


FIG. 9

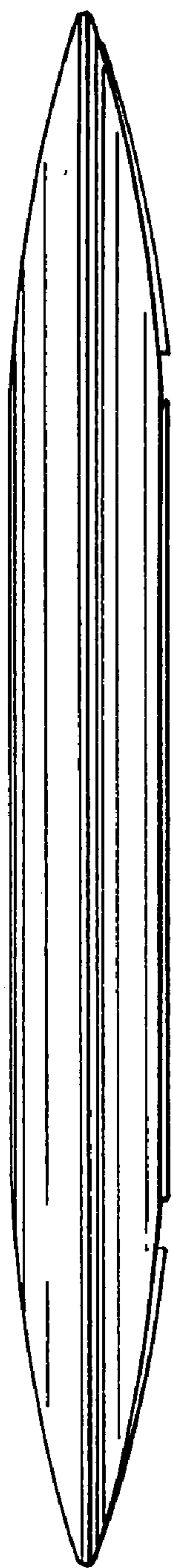


FIG. 10



FIG. 11