

US00D545357S

(12) **United States Design Patent**
Hattori et al.

(10) **Patent No.:** **US D545,357 S**

(45) **Date of Patent:** **** Jun. 26, 2007**

(54) **PRINTER**

(75) Inventors: **Satoru Hattori**, Nagoya (JP); **Yasutake Yamaguchi**, Chiryu (JP); **Toshiya Inada**, Nagoya (JP)

(73) Assignee: **Brother Industries, Ltd.**, Nagoya (JP)

(**) Term: **14 Years**

(21) Appl. No.: **29/254,574**

(22) Filed: **Feb. 27, 2006**

(30) **Foreign Application Priority Data**

Sep. 13, 2005 (JP) 2005-026508

(51) **LOC (8) Cl.** **14-02**

(52) **U.S. Cl.** **D18/55**

(58) **Field of Classification Search** D18/14,
D18/36-39, 46-49, 50, 53, 54, 54.1, 55, 4.4,
D18/12; D14/420-425, 462-470; 399/107;
400/613, 613.1-613.4, 690.1-690.4, 691-694
See application file for complete search history.

(56) **References Cited**

U.S. PATENT DOCUMENTS

D423,040 S *	4/2000	Ohta et al.	D18/36
D435,858 S *	1/2001	Hatanaka et al.	D18/39
D443,635 S *	6/2001	Ogawa et al.	D18/39
D456,834 S *	5/2002	Fetherolf et al.	D18/36
D468,762 S *	1/2003	Kurita et al.	D18/39
D501,667 S *	2/2005	Ishigami et al.	D18/50
D502,210 S *	2/2005	Katori et al.	D18/39
D502,500 S *	3/2005	Hoshiya et al.	D18/50
D518,515 S *	4/2006	Miyauchi et al.	D18/55

D521,056 S *	5/2006	Horiguchi et al.	D18/39
D521,061 S *	5/2006	Katayama et al.	D18/55
D528,154 S *	9/2006	Hattori	D18/54
D528,155 S *	9/2006	Katayama	D18/55
D529,951 S *	10/2006	Katayama et al.	D18/53
D532,449 S *	11/2006	Tjin Wong Joe et al.	D18/55
D532,450 S *	11/2006	Smith et al.	D18/55
D533,218 S *	12/2006	Gant et al.	D18/55
D534,175 S *	12/2006	Orihashi et al.	D14/463
D534,578 S *	1/2007	Katayama et al.	D18/55
D535,686 S *	1/2007	Ishio	D18/39
D536,372 S *	2/2007	Lim et al.	D18/53

* cited by examiner

Primary Examiner—Cathy Anne MacCormac

(74) *Attorney, Agent, or Firm*—Oliff & Berridge, PLC

(57) **CLAIM**

The ornamental design for printer, as shown and described.

DESCRIPTION

FIG. 1 is a front view of a printer;

FIG. 2 is a top view thereof;

FIG. 3 is a right-side view thereof;

FIG. 4 is a left-side view thereof;

FIG. 5 is a rear view thereof;

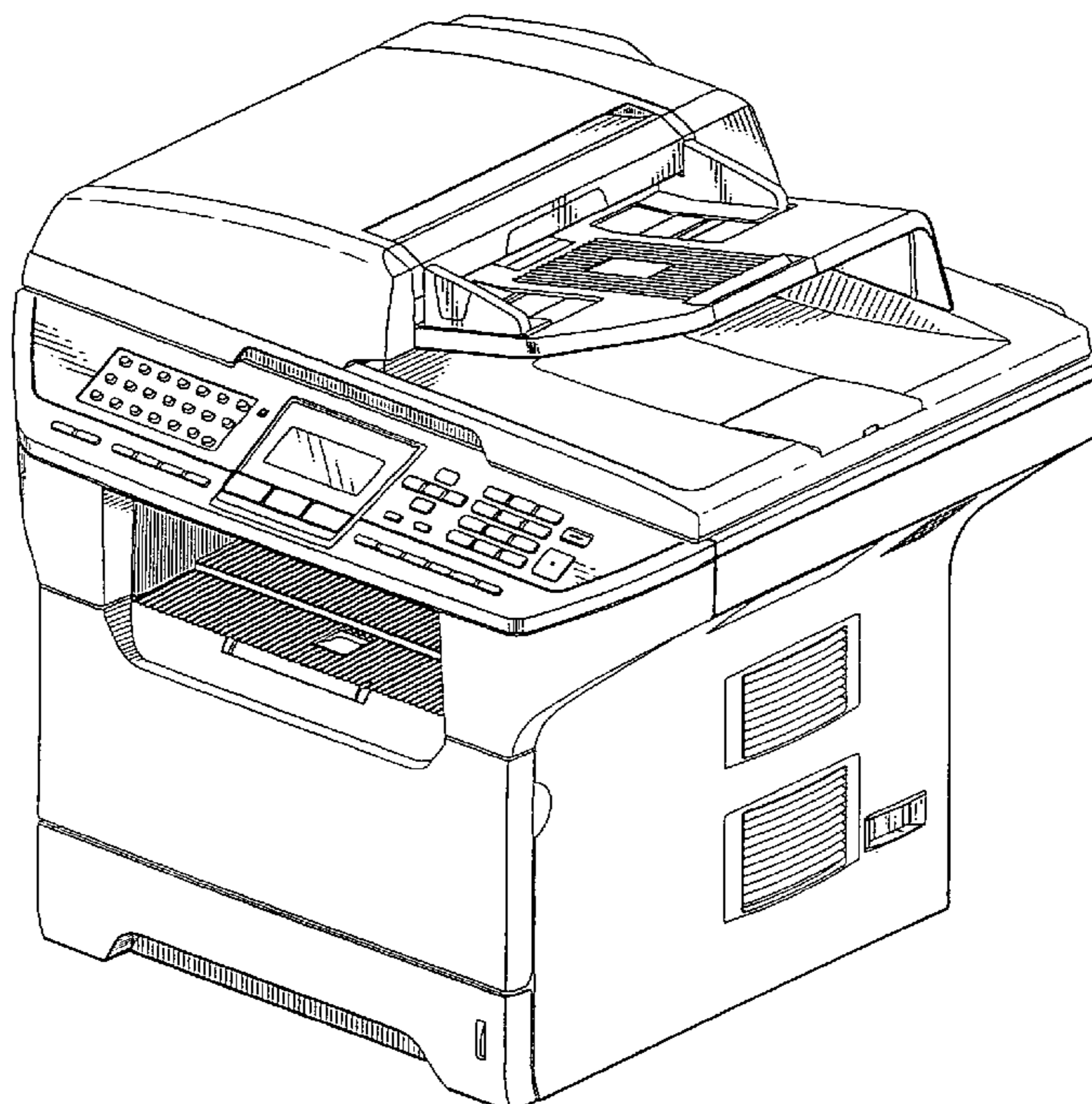
FIG. 6 is a bottom view thereof;

FIG. 7 is a perspective view thereof; and,

FIG. 8 is another perspective view thereof.

The broken lines are for illustrative purposes only and form no part of the claimed design.

1 Claim, 8 Drawing Sheets



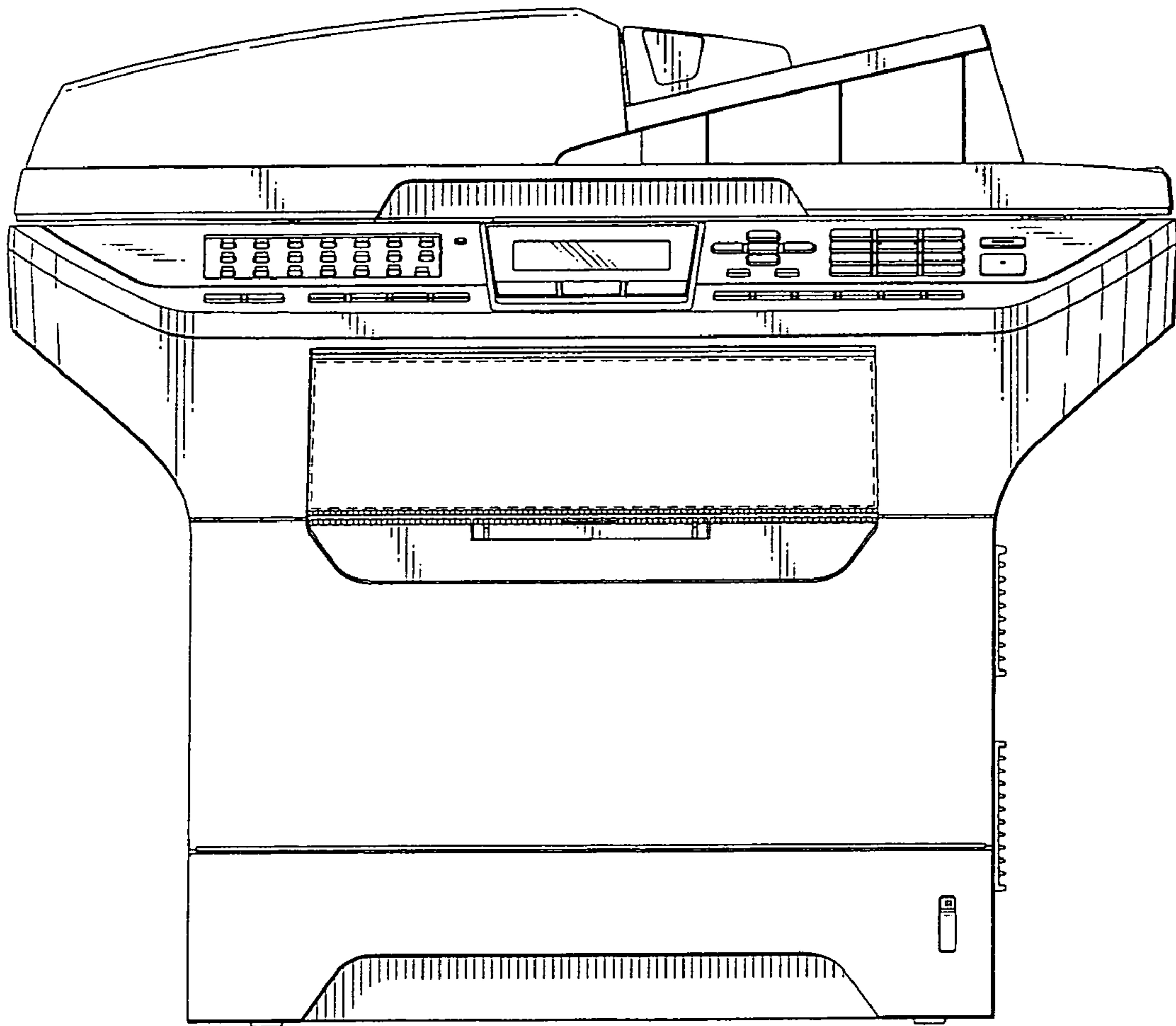


FIG. 1

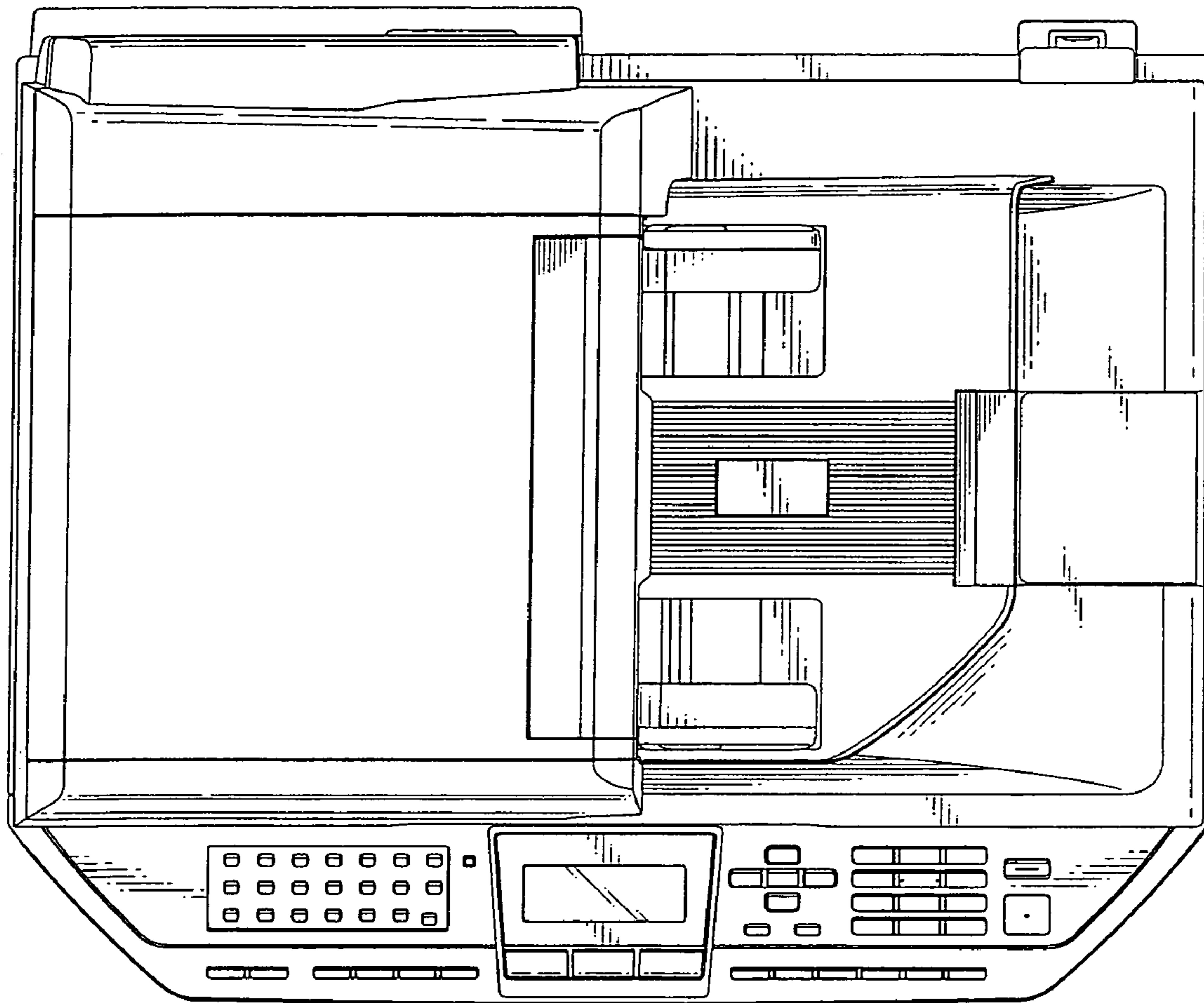


FIG. 2

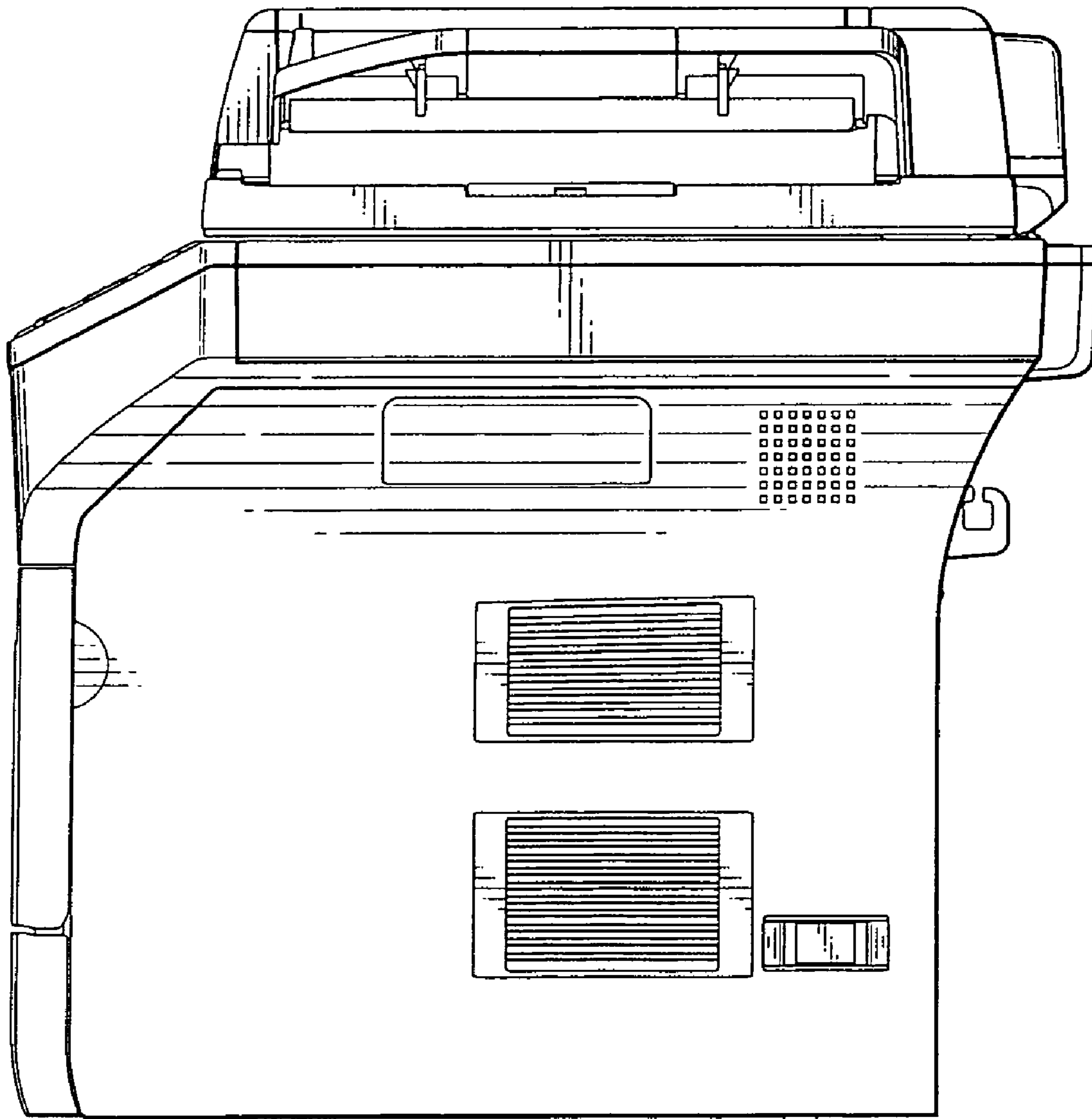


FIG. 3

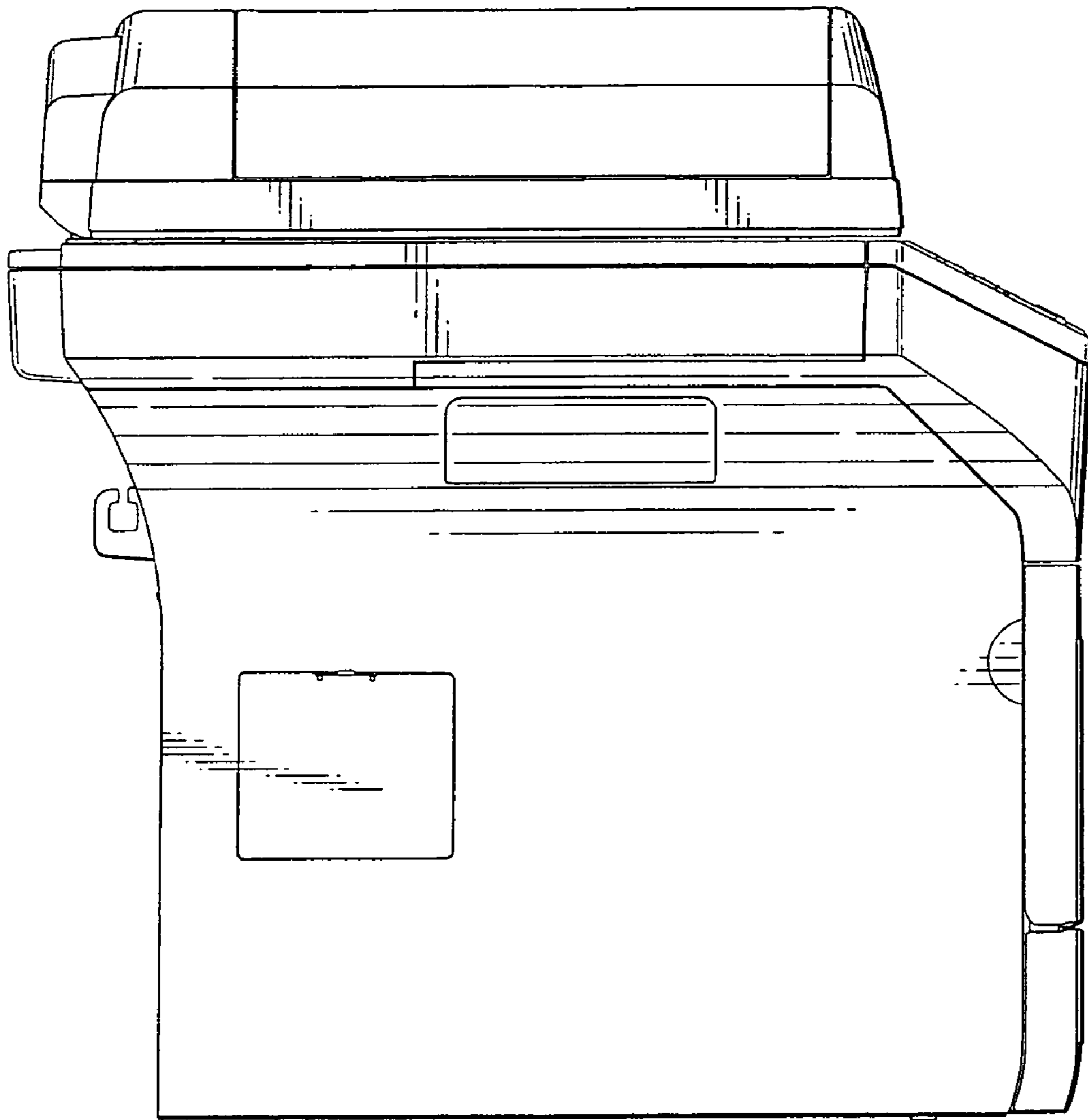


FIG. 4

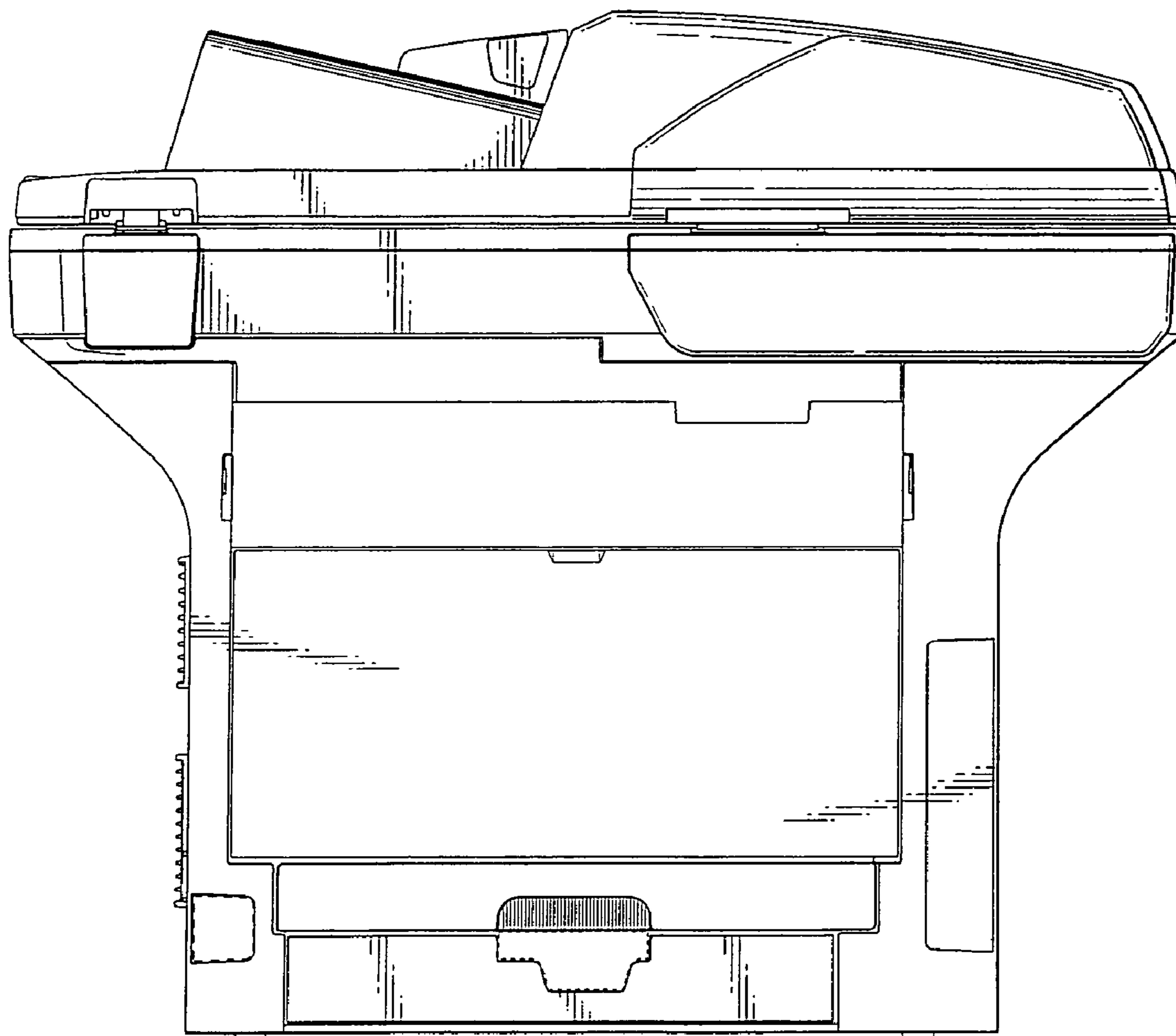


FIG. 5

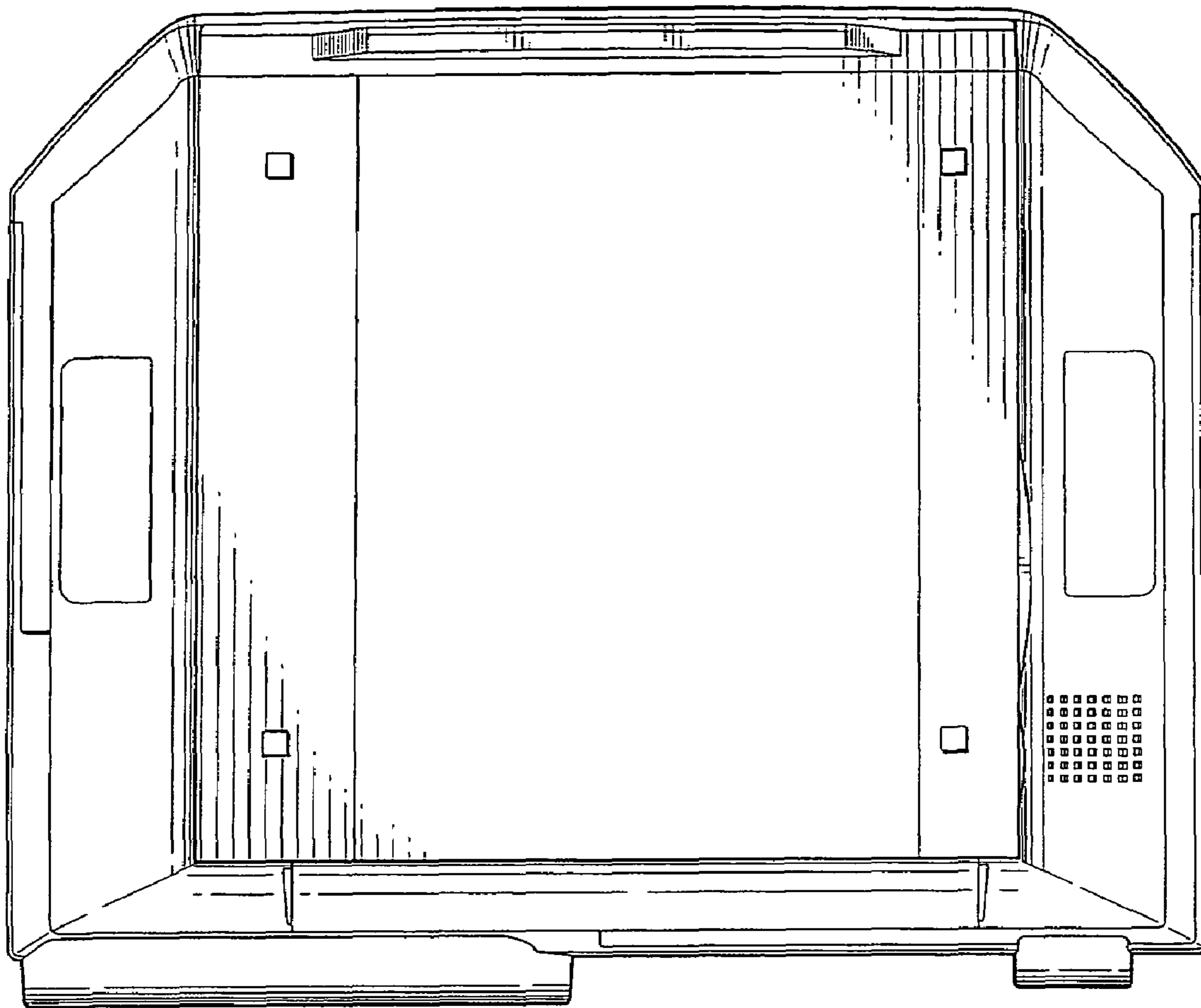


FIG. 6

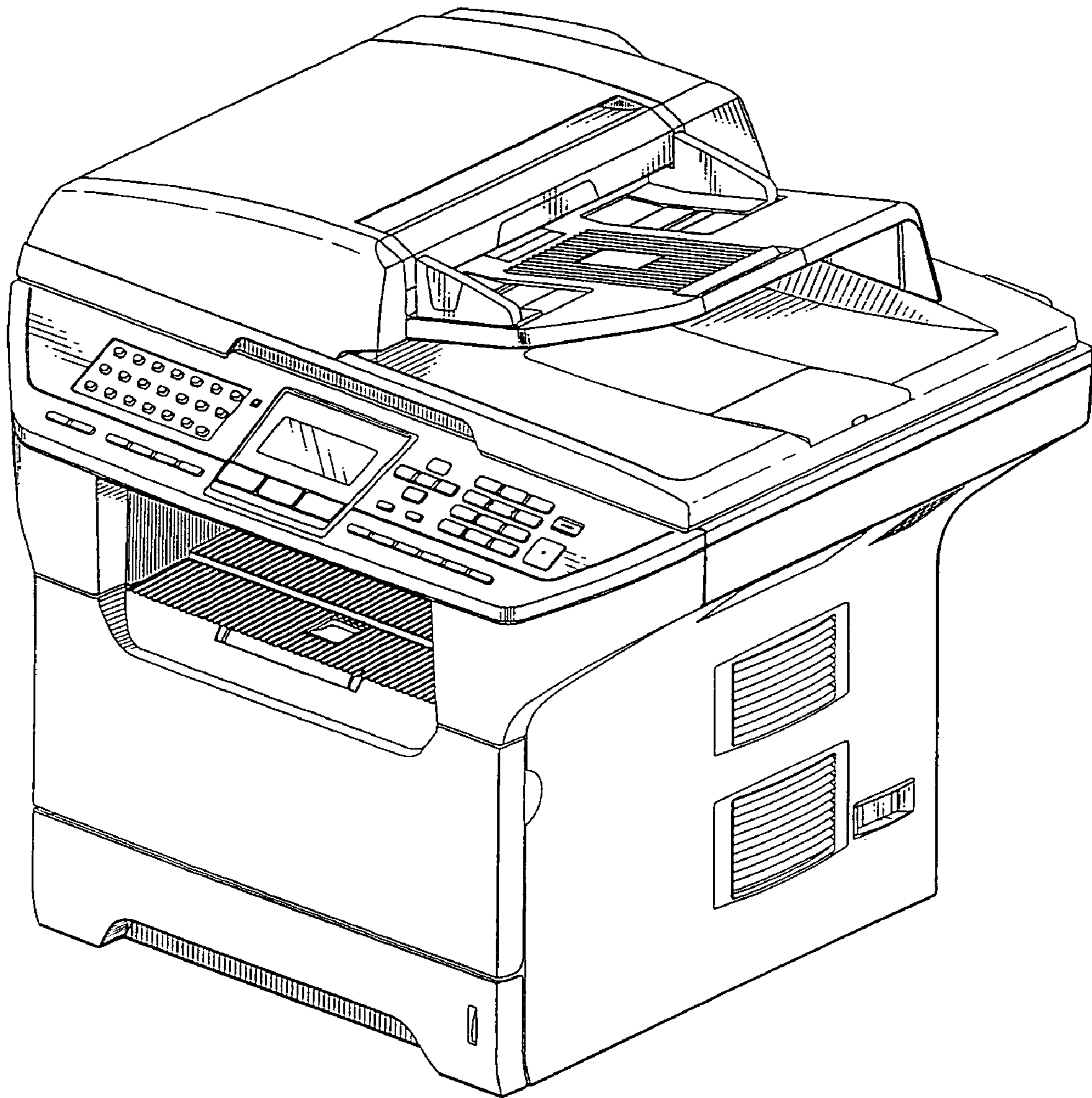


FIG. 7

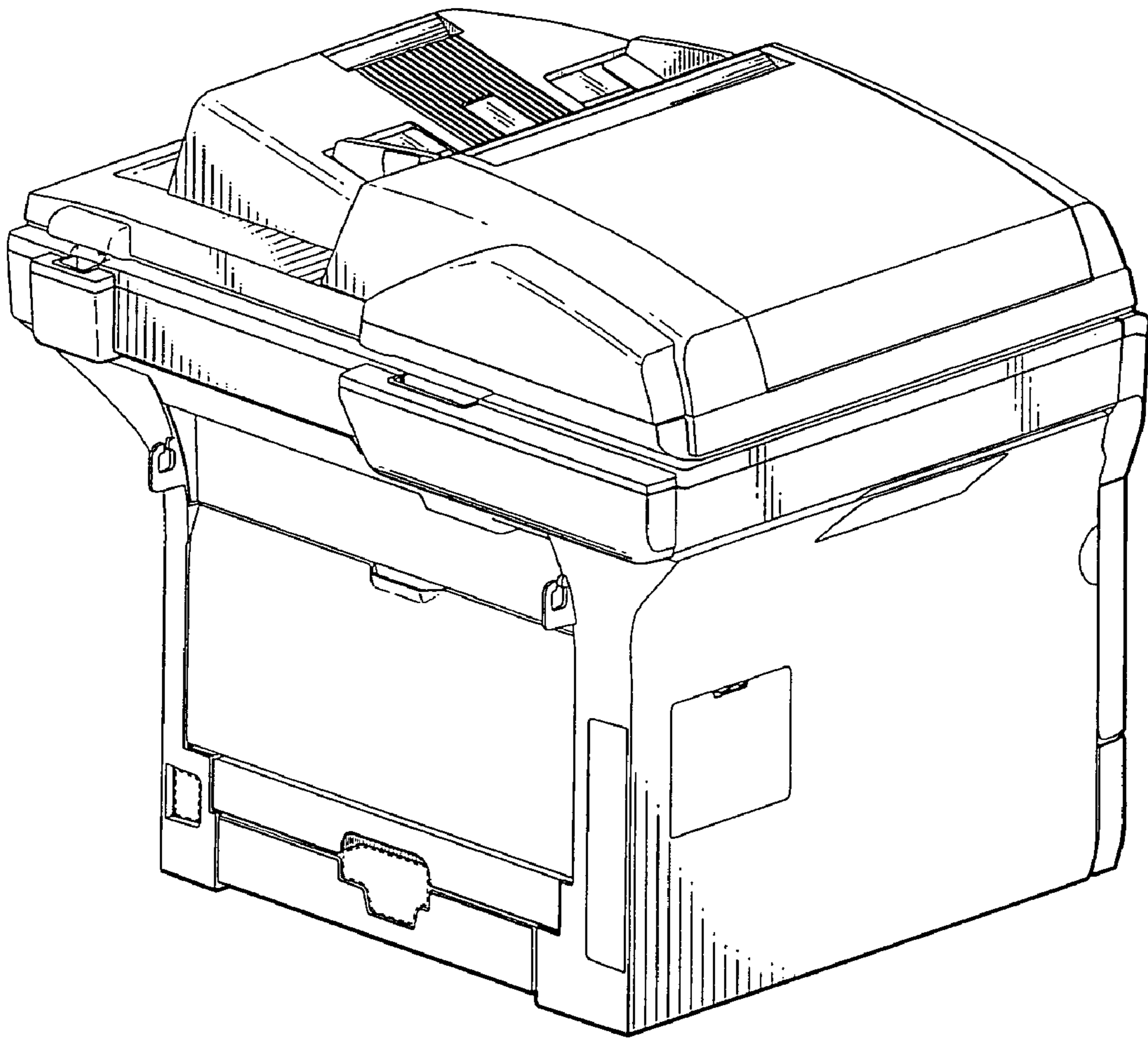


FIG. 8