



US00D545356S

(12) **United States Design Patent**  
**Hoshiya et al.**

(10) **Patent No.:** **US D545,356 S**  
(45) **Date of Patent:** **\*\* Jun. 26, 2007**

(54) **PRINTER**

(75) Inventors: **Kazuhiro Hoshiya**, Nagoya (JP); **Yuzo Fukunaga**, Nagoya (JP)

(73) Assignee: **Brother Industries, Ltd.**, Nagoya (JP)

(\*\*) Term: **14 Years**

(21) Appl. No.: **29/244,124**

(22) Filed: **Dec. 6, 2005**

(30) **Foreign Application Priority Data**

Jun. 30, 2005 (JP) ..... 2005-019176

(51) **LOC (8) Cl.** ..... **18-02**

(52) **U.S. Cl.** ..... **D18/50; D18/41**

(58) **Field of Classification Search** ..... D18/14,  
D18/36-39, 46-49, 50, 54, 54.1, 55; D14/420-425,  
D14/462-470; 399/107; 400/613, 613.1-613.4,  
400/690.1-690.4, 691-694

See application file for complete search history.

(56) **References Cited**

**U.S. PATENT DOCUMENTS**

D421,043 S \* 2/2000 Shibata et al. .... D18/39  
D447,765 S \* 9/2001 Hatanaka et al. .... D18/39  
D473,587 S \* 4/2003 Agata et al. .... D18/39  
D483,402 S \* 12/2003 LaBarbera et al. .... D18/39  
D487,286 S \* 3/2004 Hoshiya ..... D18/50

D493,817 S \* 8/2004 Yoshida et al. .... D18/39  
D502,210 S \* 2/2005 Katori et al. .... D18/39  
D517,119 S \* 3/2006 Suzuki et al. .... D18/50  
D525,292 S \* 7/2006 Inoue et al. .... D18/50  
D526,350 S \* 8/2006 Yamano et al. .... D18/55  
D532,042 S \* 11/2006 Gant ..... D18/50  
D532,818 S \* 11/2006 Senda et al. .... D18/55  
D534,206 S \* 12/2006 Tomono et al. .... D18/39

\* cited by examiner

*Primary Examiner*—Cathy Anne MacCormac

(74) *Attorney, Agent, or Firm*—Oliff & Berridge, PLC

(57) **CLAIM**

The ornamental design for a printer, as shown and described.

**DESCRIPTION**

FIG. 1 is a perspective view of a printer;

FIG. 2 is another perspective view thereof;

FIG. 3 is a top view thereof;

FIG. 4 is a front view thereof;

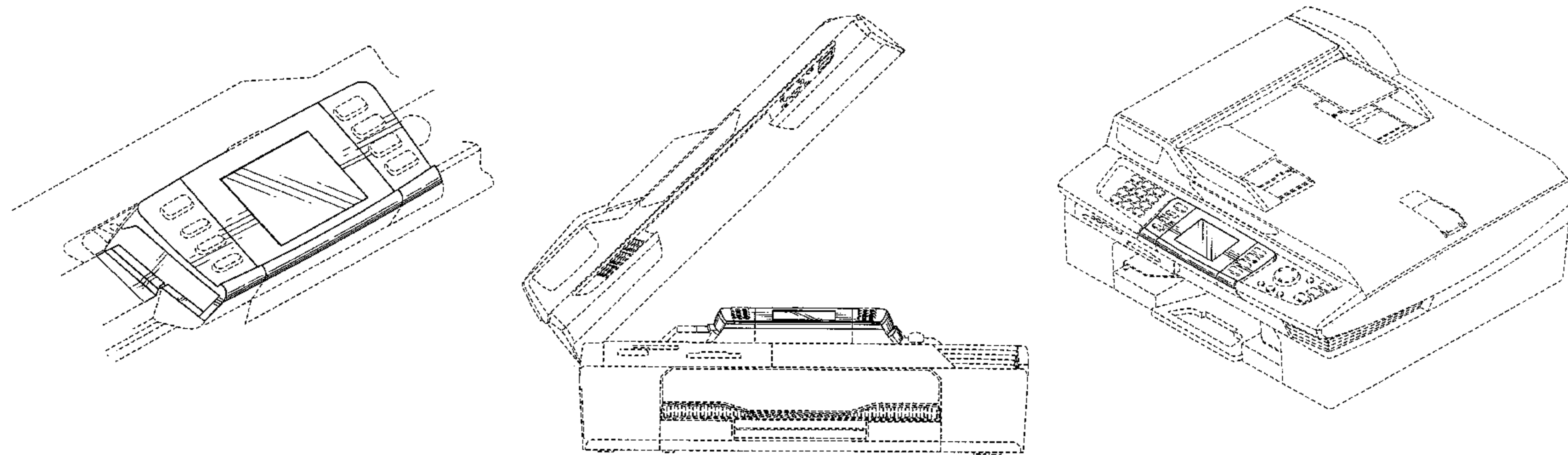
FIG. 5 is a perspective view thereof with a cover in a lowered position;

FIG. 6 is a top view of FIG. 5; and,

FIG. 7 is a front view of FIG. 5.

The broken lines are for illustrative purposes only and form no part of the claimed design.

**1 Claim, 7 Drawing Sheets**



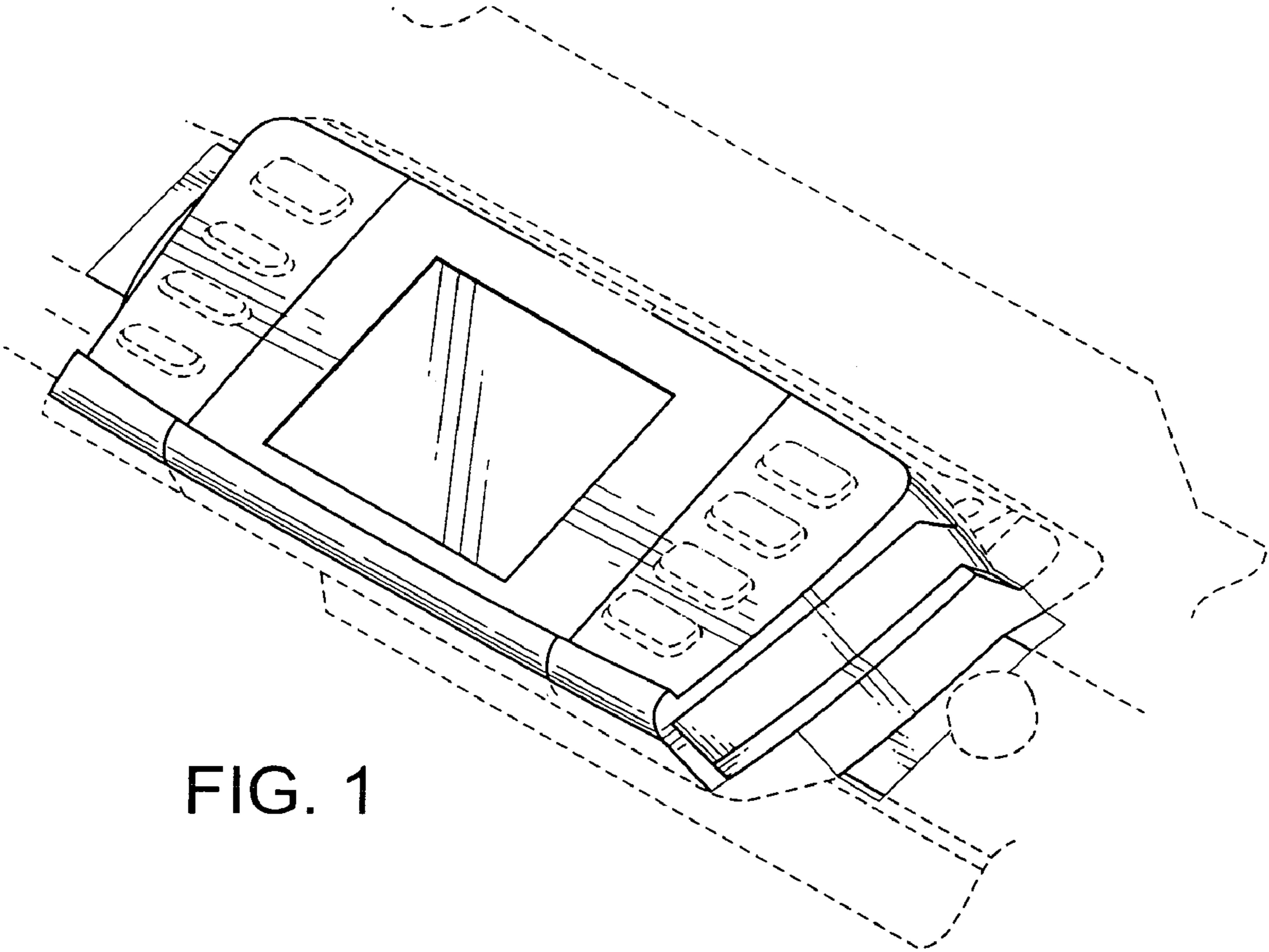


FIG. 1

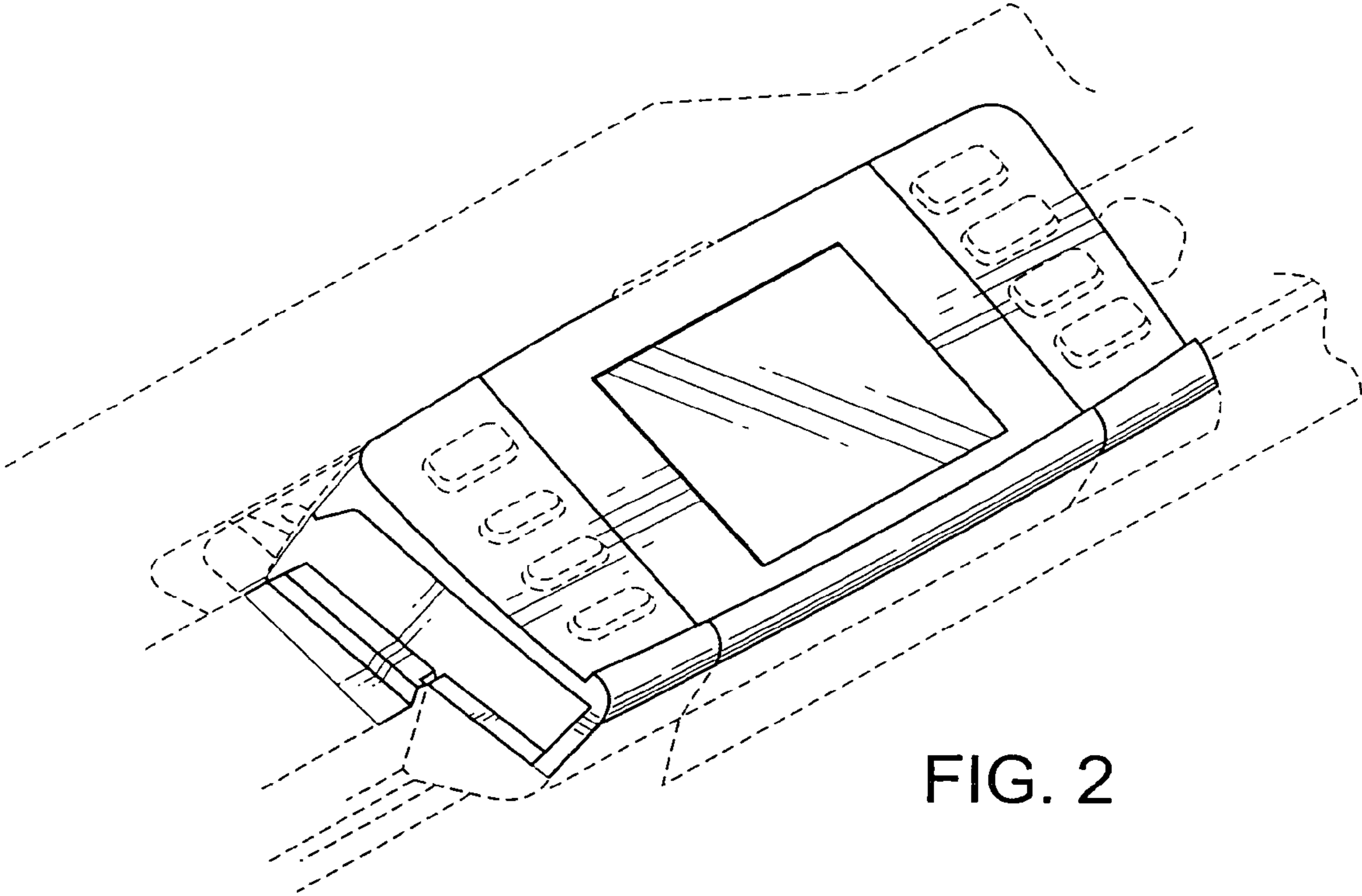


FIG. 2

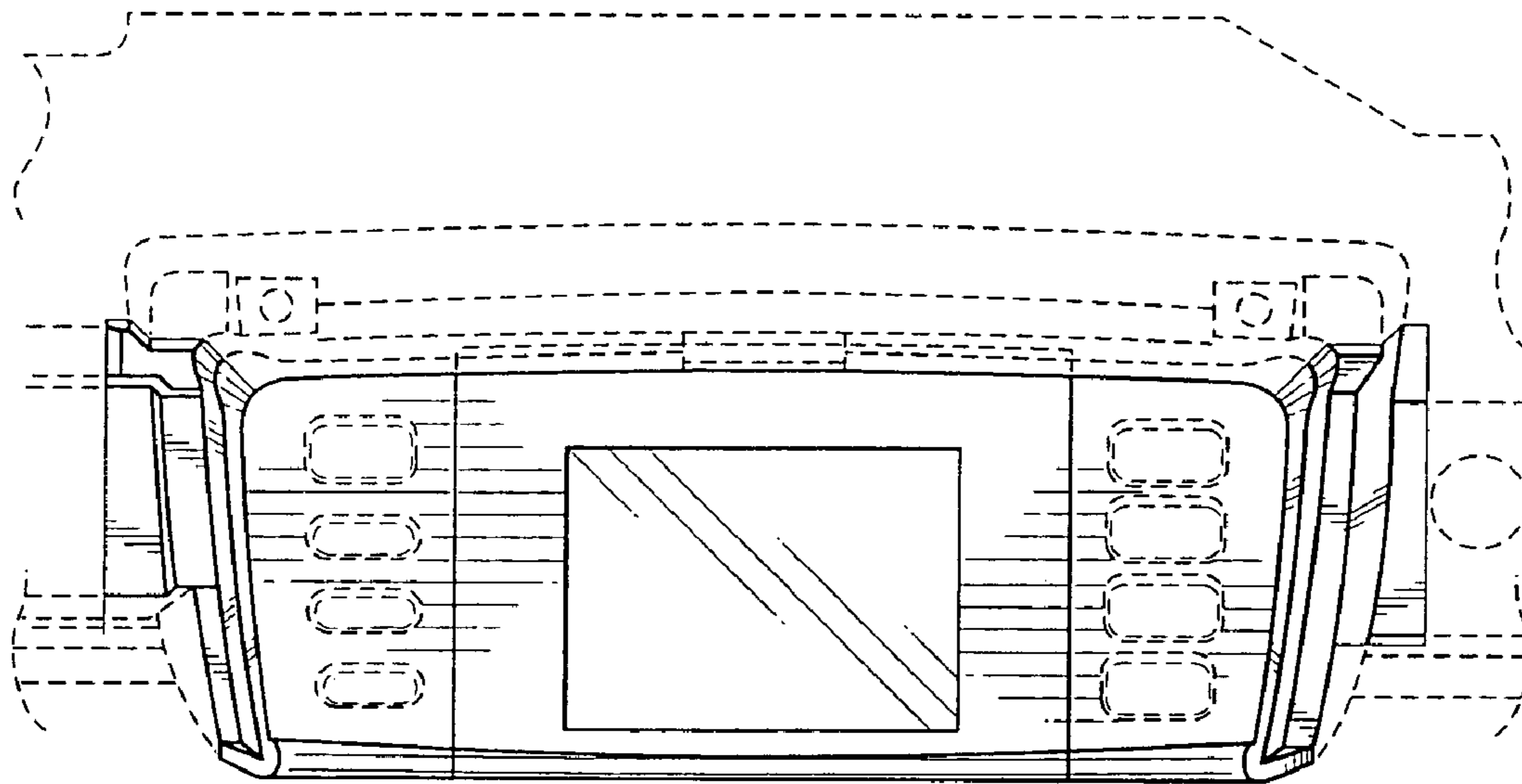


FIG. 3

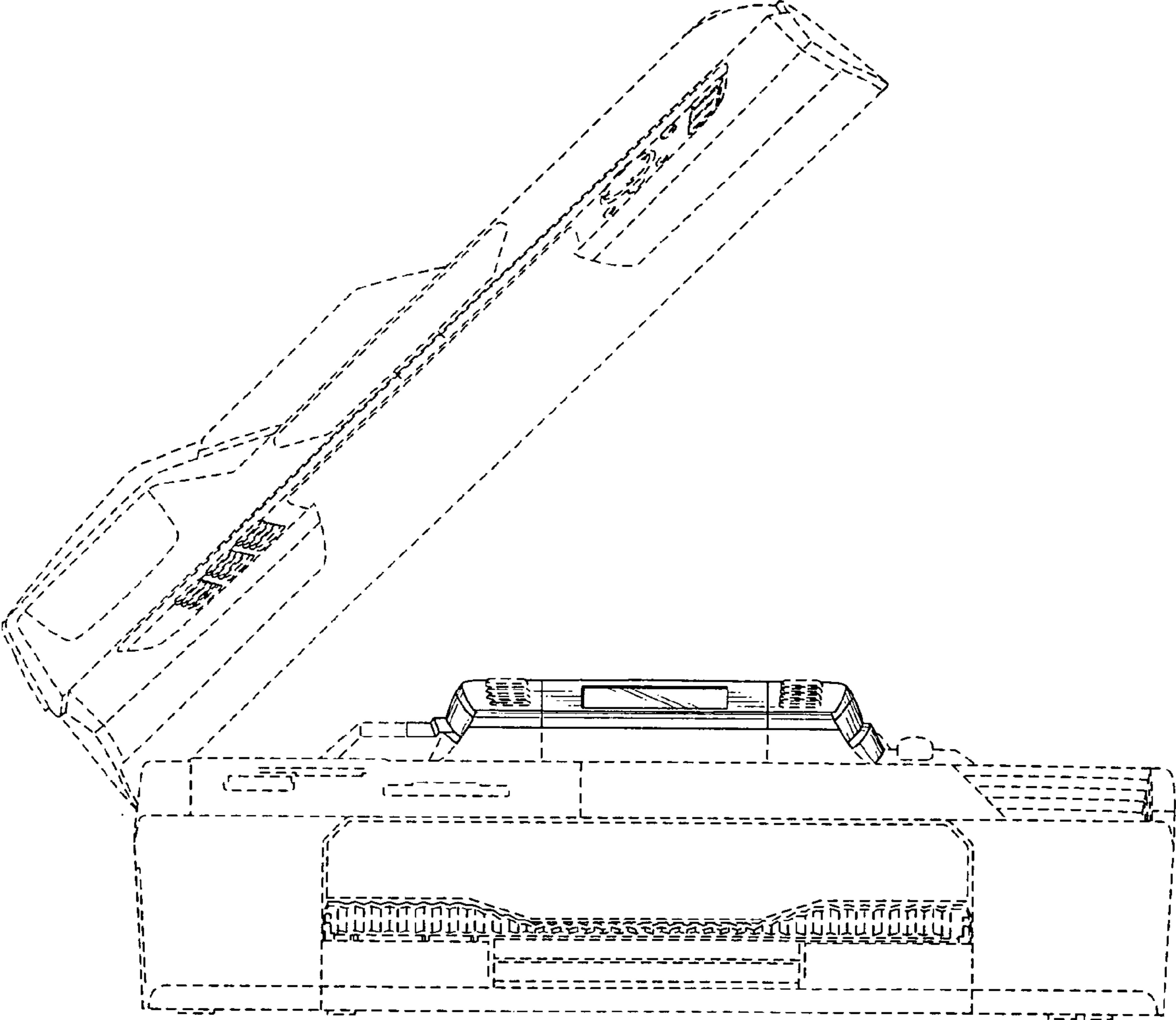


FIG. 4

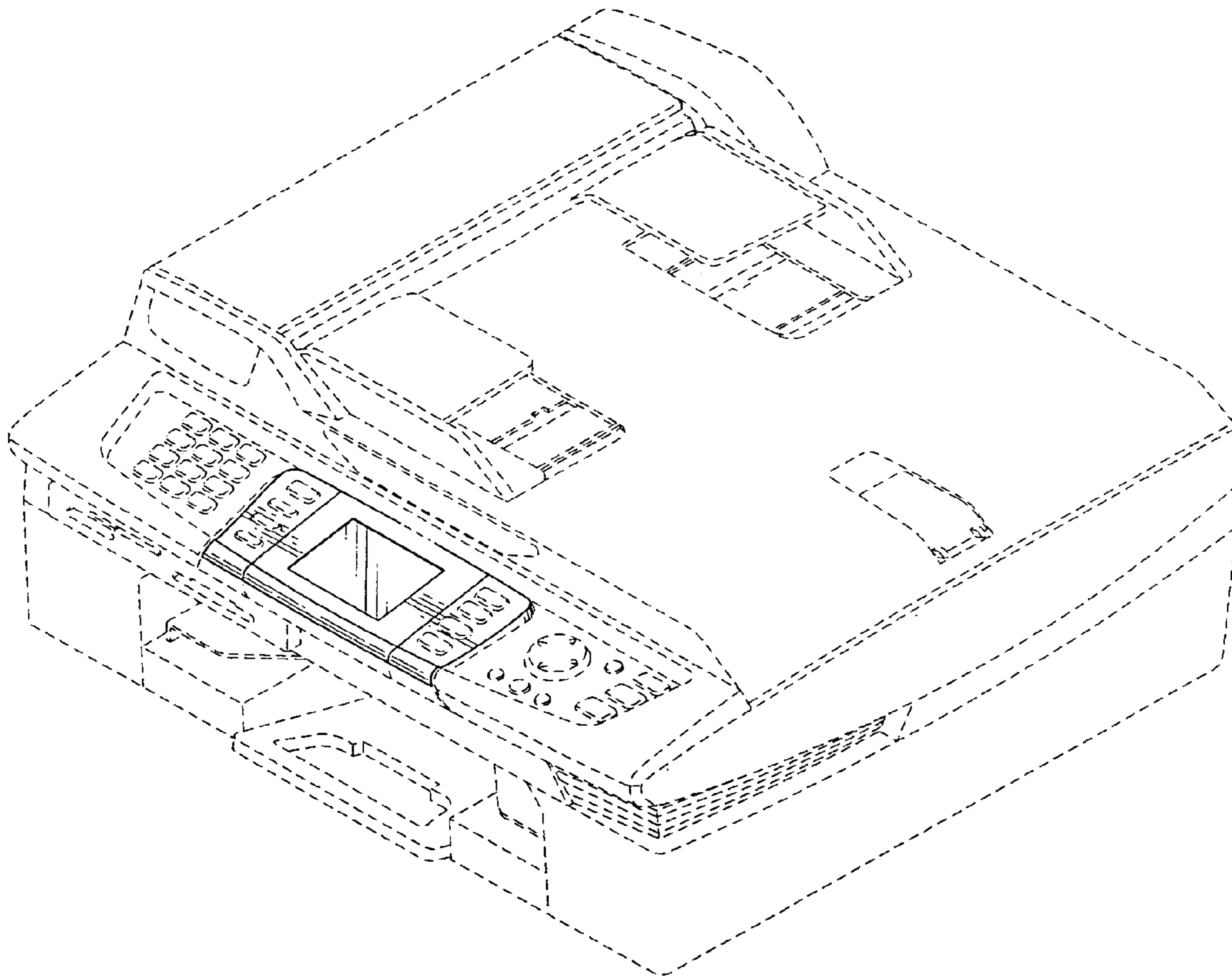


FIG. 5

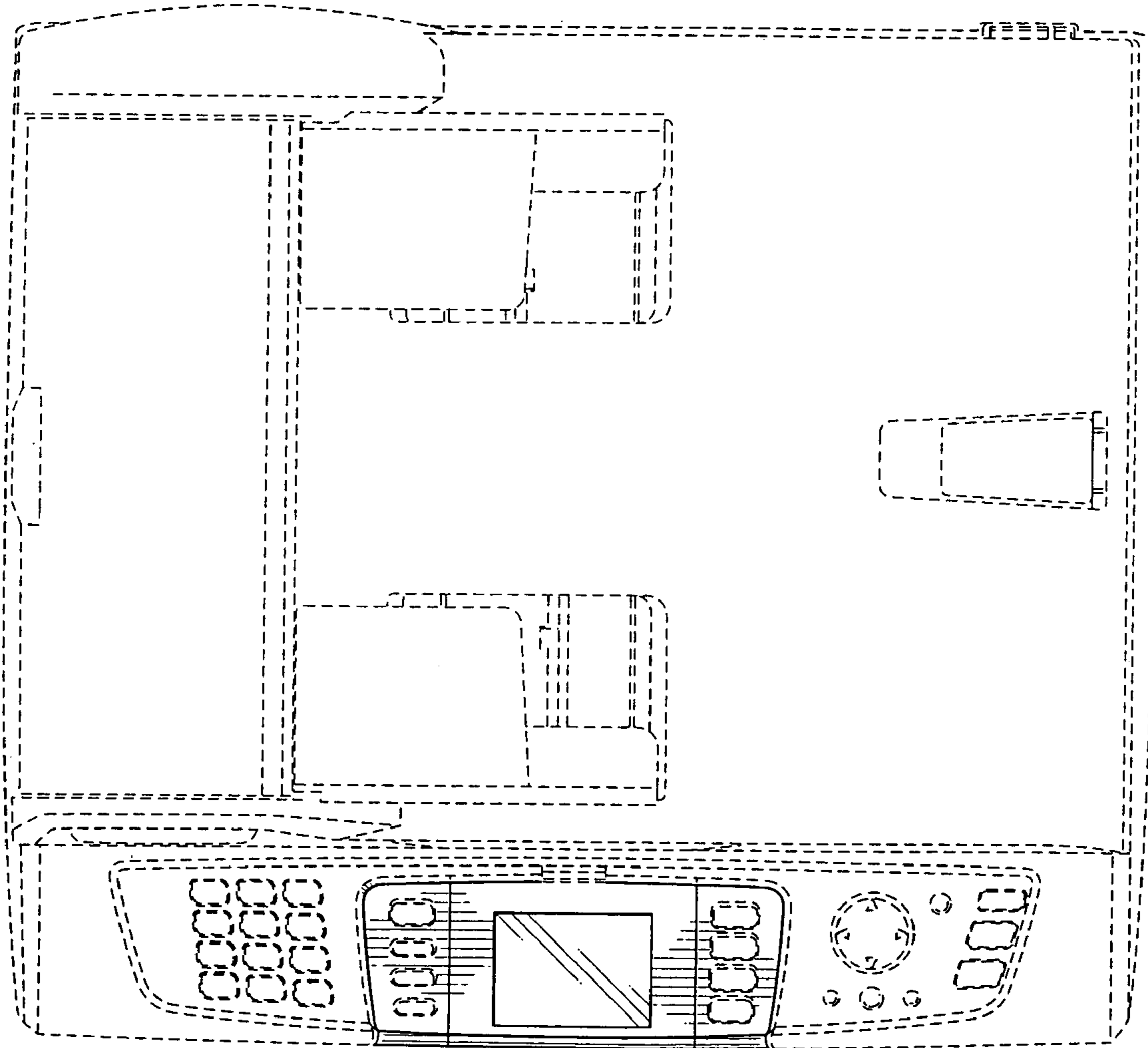


FIG. 6

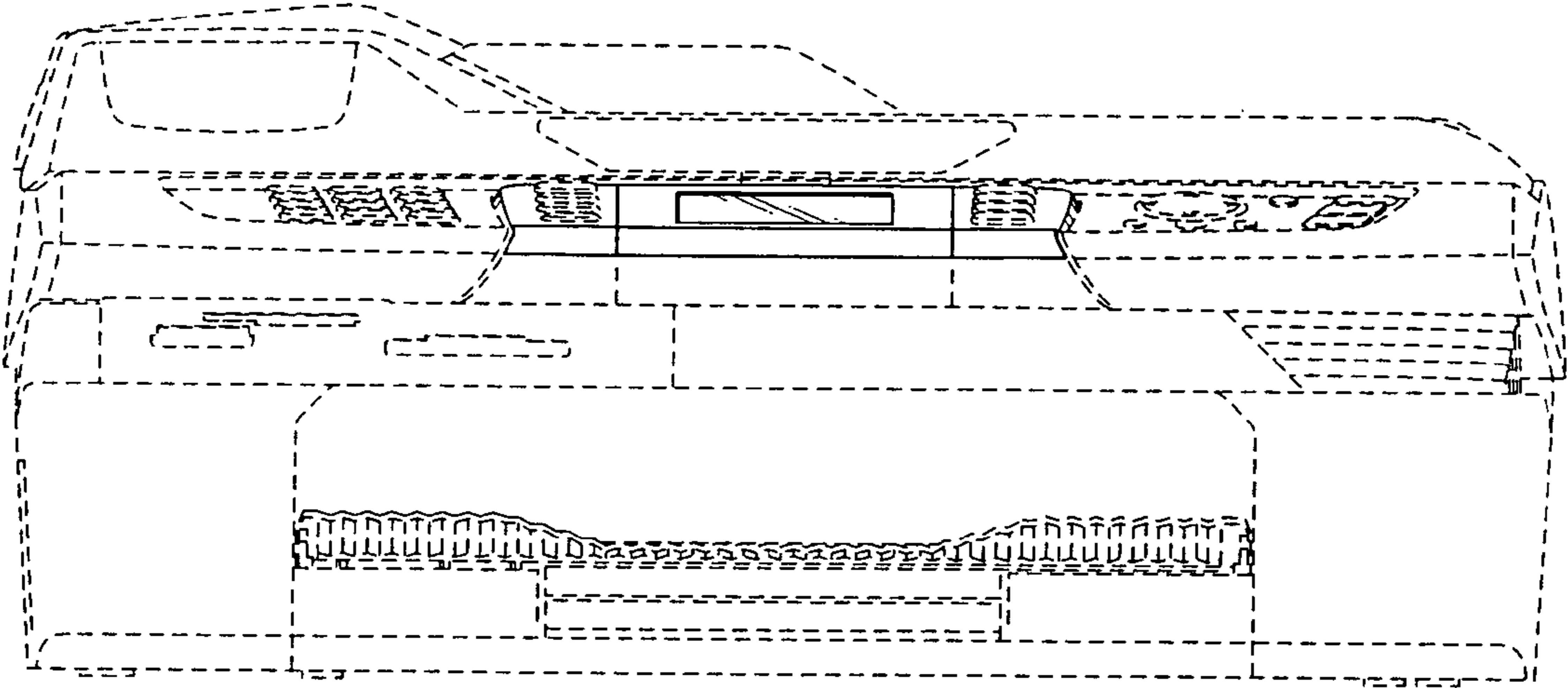


FIG. 7