



US00D545342S

(12) **United States Design Patent**  
**Sakamaki et al.**

(10) **Patent No.:** **US D545,342 S**

(45) **Date of Patent:** **\*\* Jun. 26, 2007**

(54) **SLIDING LENS SHUTTER COVER FOR PROJECTOR**

D433,046 S \* 10/2000 Hall et al. .... D16/202  
D509,844 S \* 9/2005 Oross et al. .... D16/230

(75) Inventors: **Isao Sakamaki**, Matsumoto (JP);  
**Akitoshi Kuroda**, Yamagata-mura (JP)

\* cited by examiner

(73) Assignee: **Seiko Epson Corporation**, Tokyo (JP)

*Primary Examiner*—Ian Simmons

*Assistant Examiner*—Wan Laymon

(\*\*) Term: **14 Years**

(74) *Attorney, Agent, or Firm*—Oliff & Berridge, PLC

(21) Appl. No.: **29/262,358**

(57) **CLAIM**

(22) Filed: **Jul. 3, 2006**

The ornamental design for a sliding lens shutter cover for projector as shown and described.

(30) **Foreign Application Priority Data**

**DESCRIPTION**

Mar. 3, 2006 (JP) ..... 2006-005348

FIG. 1 is a perspective view of a sliding lens shutter cover for projector showing our new design;

(51) **LOC (8) Cl.** ..... **16-02**

FIG. 2 is a front view thereof;

(52) **U.S. Cl.** ..... **D16/235; D16/221**

FIG. 3 is a rear view thereof;

(58) **Field of Classification Search** ..... D16/200–205,  
D16/208, 213, 221, 225, 229, 230, 231, 234,  
D16/217, 219, 235; D21/514; D25/47; 353/70,  
353/88, 96, 100, 101, 115, 119, 122

FIG. 4 is a left-side view thereof;

FIG. 5 is a right-side view thereof;

See application file for complete search history.

FIG. 6 is a top view thereof;

FIG. 7 is a bottom view thereof; and,

(56) **References Cited**

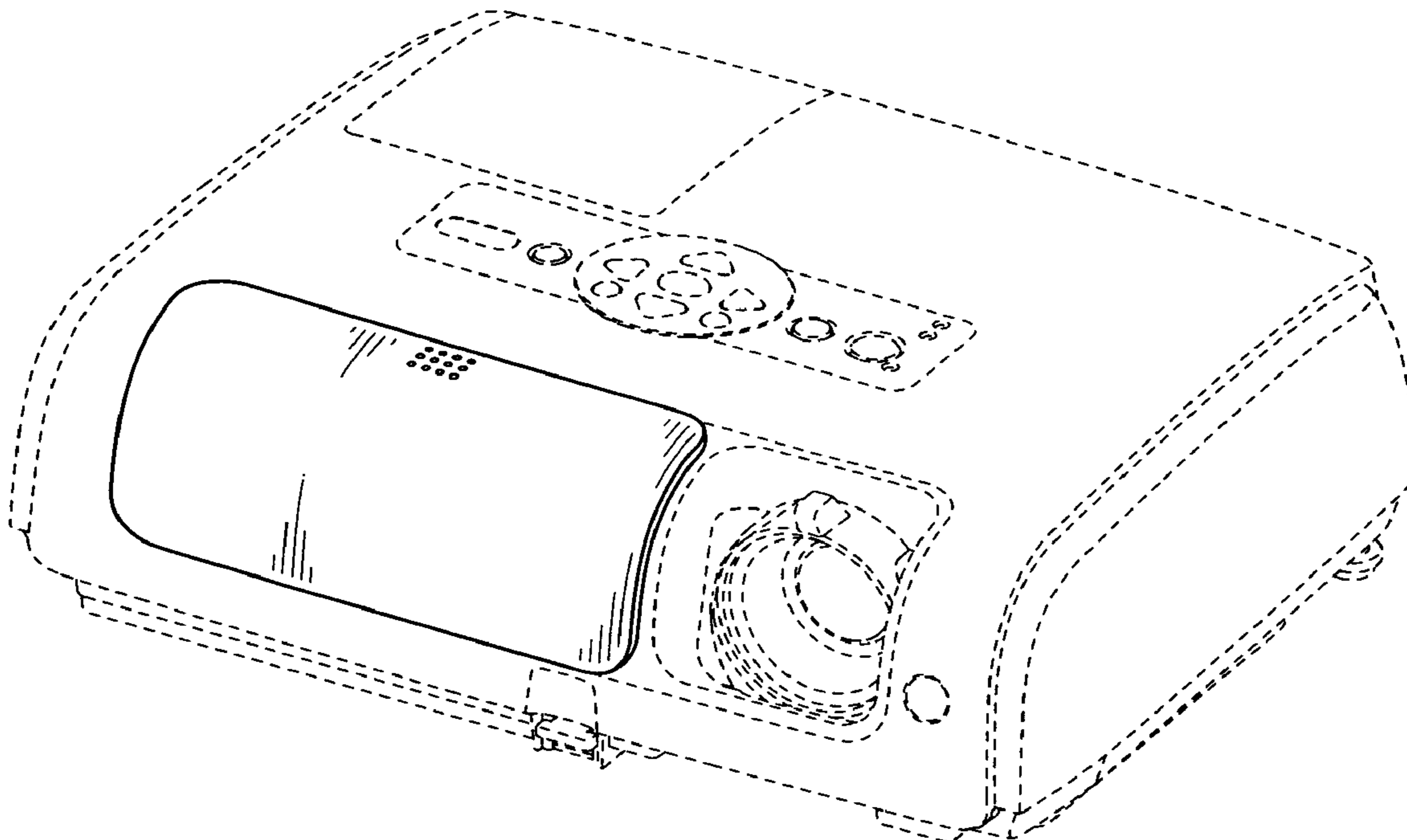
FIG. 8 is a perspective view thereof.

**U.S. PATENT DOCUMENTS**

The broken lines are for illustrative purposes only and form no part of the claimed design.

D225,280 S \* 11/1972 Conner ..... D16/219  
D396,870 S \* 8/1998 Ohwada ..... D16/202  
D398,321 S \* 9/1998 Iida ..... D16/230

**1 Claim, 5 Drawing Sheets**



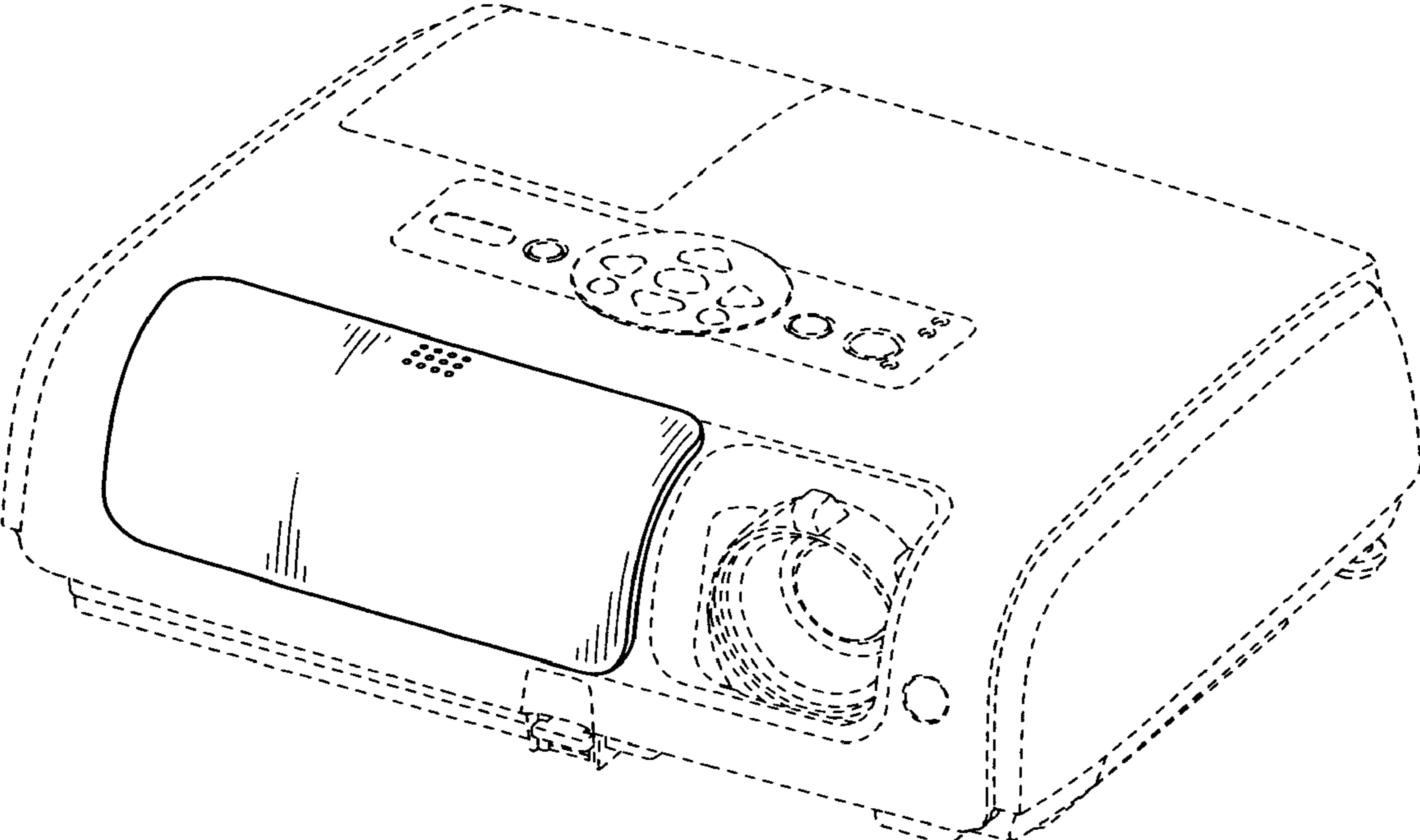


FIG. 1

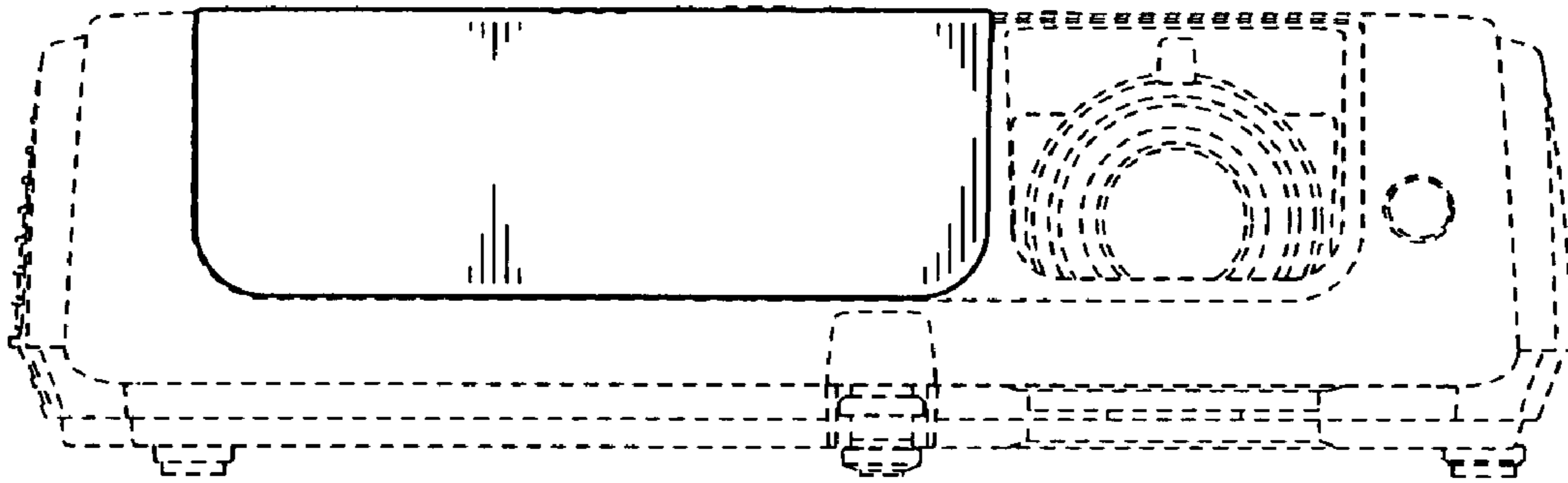


FIG.2

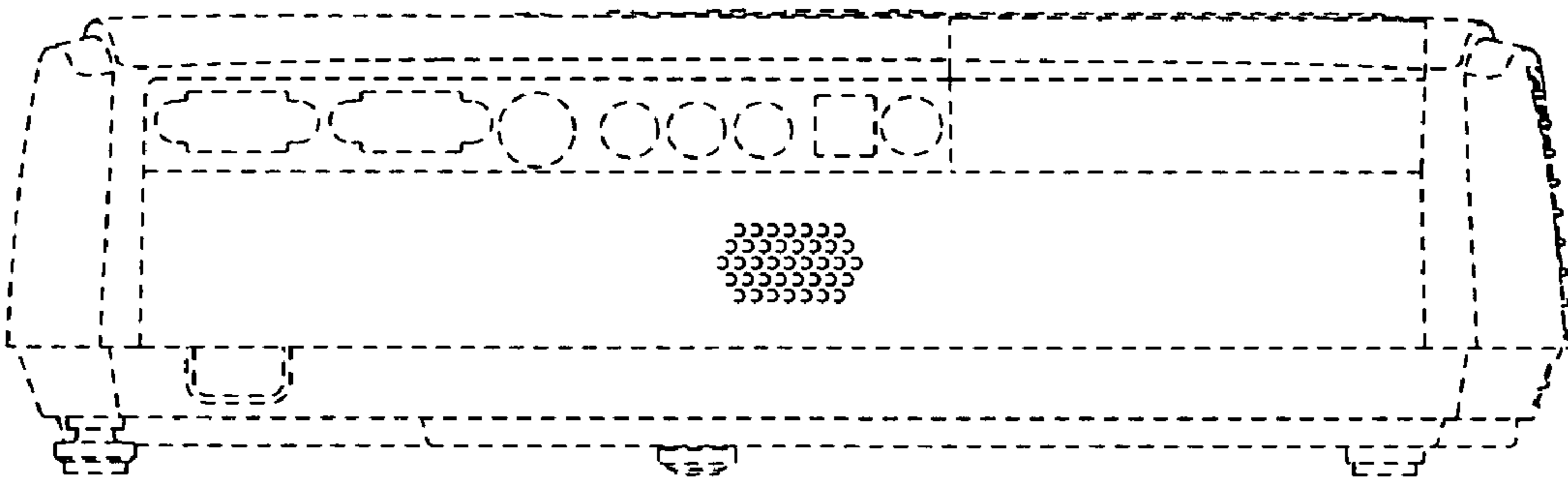


FIG.3

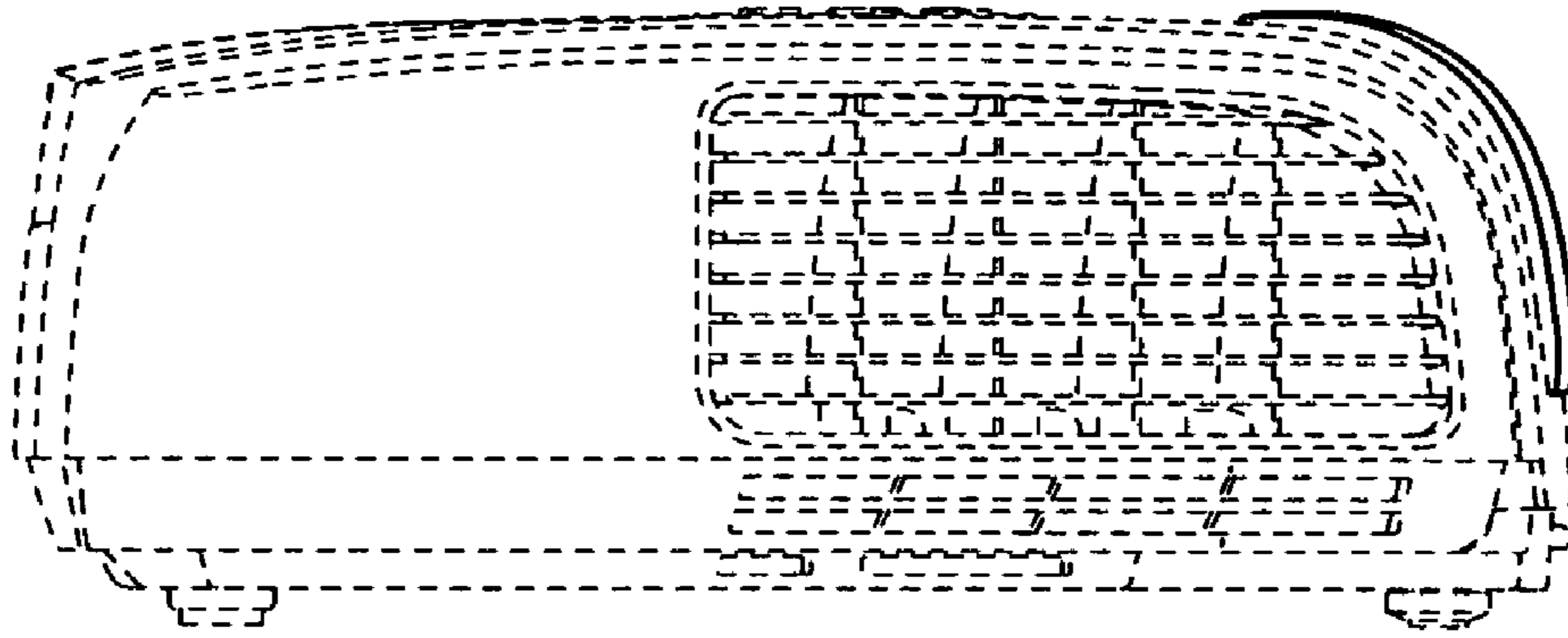


FIG. 4

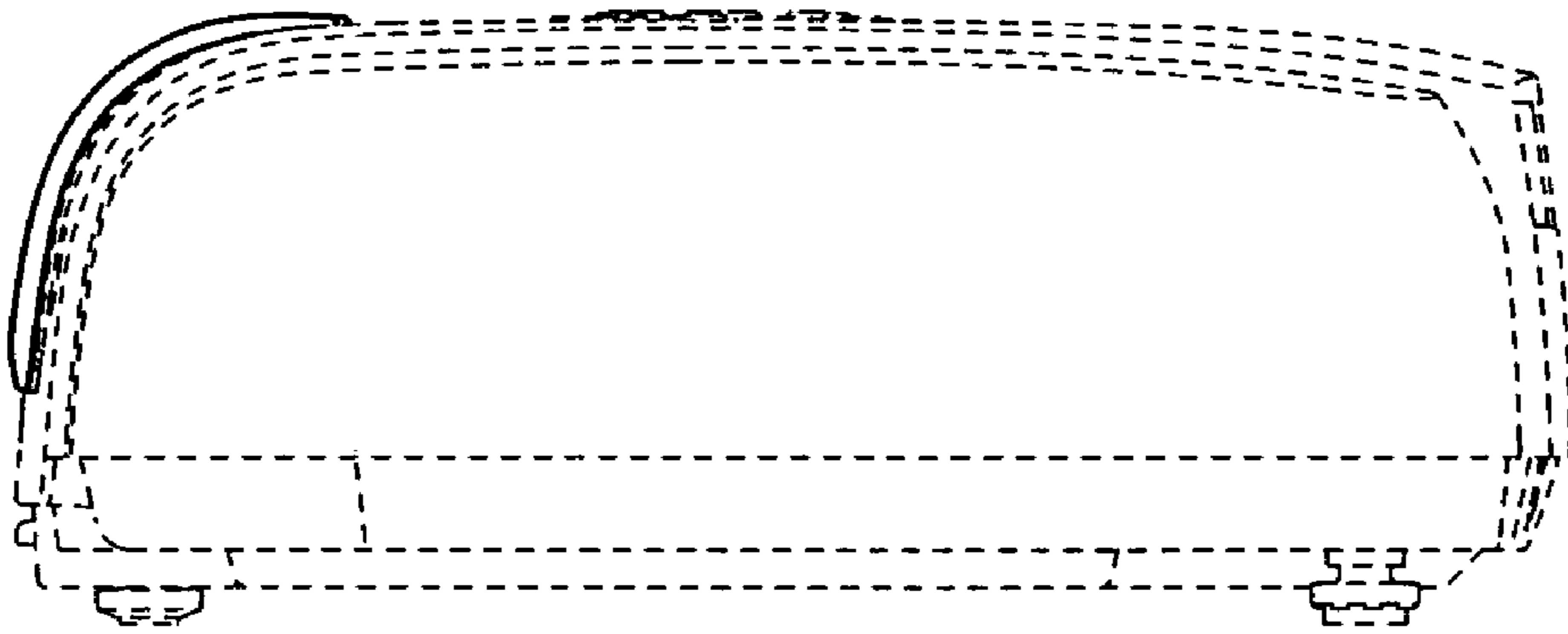


FIG. 5

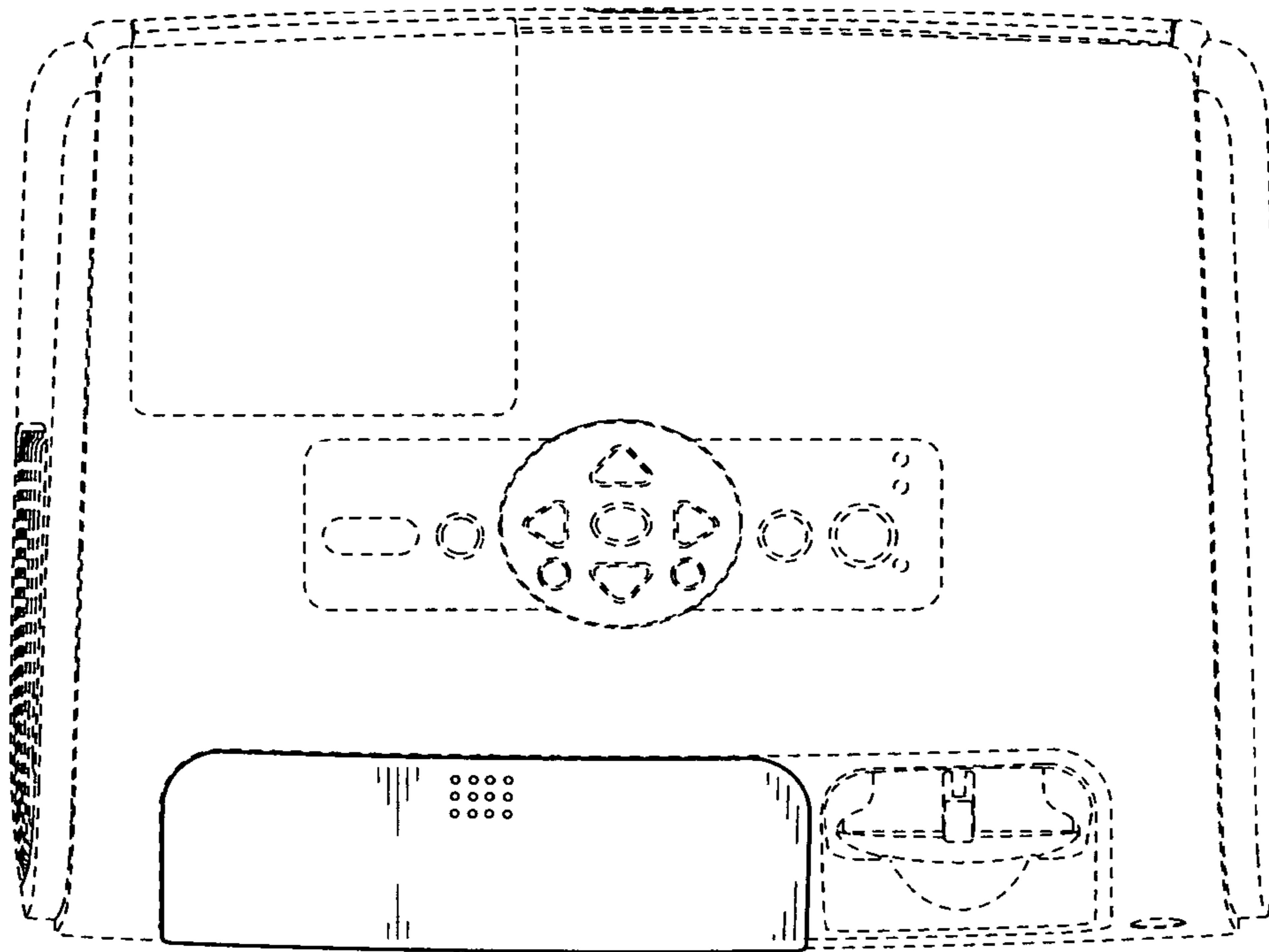


FIG. 6

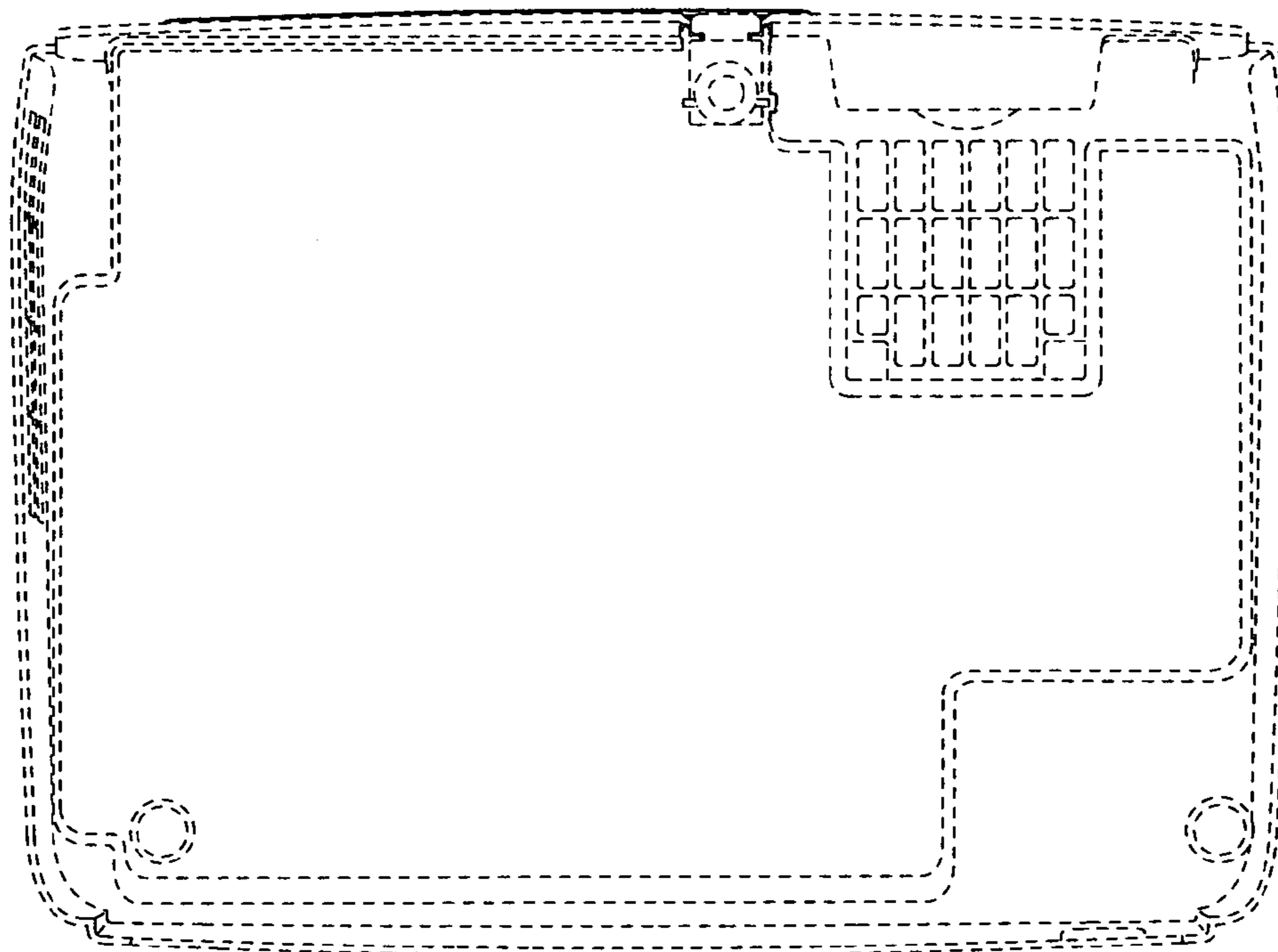


FIG. 7

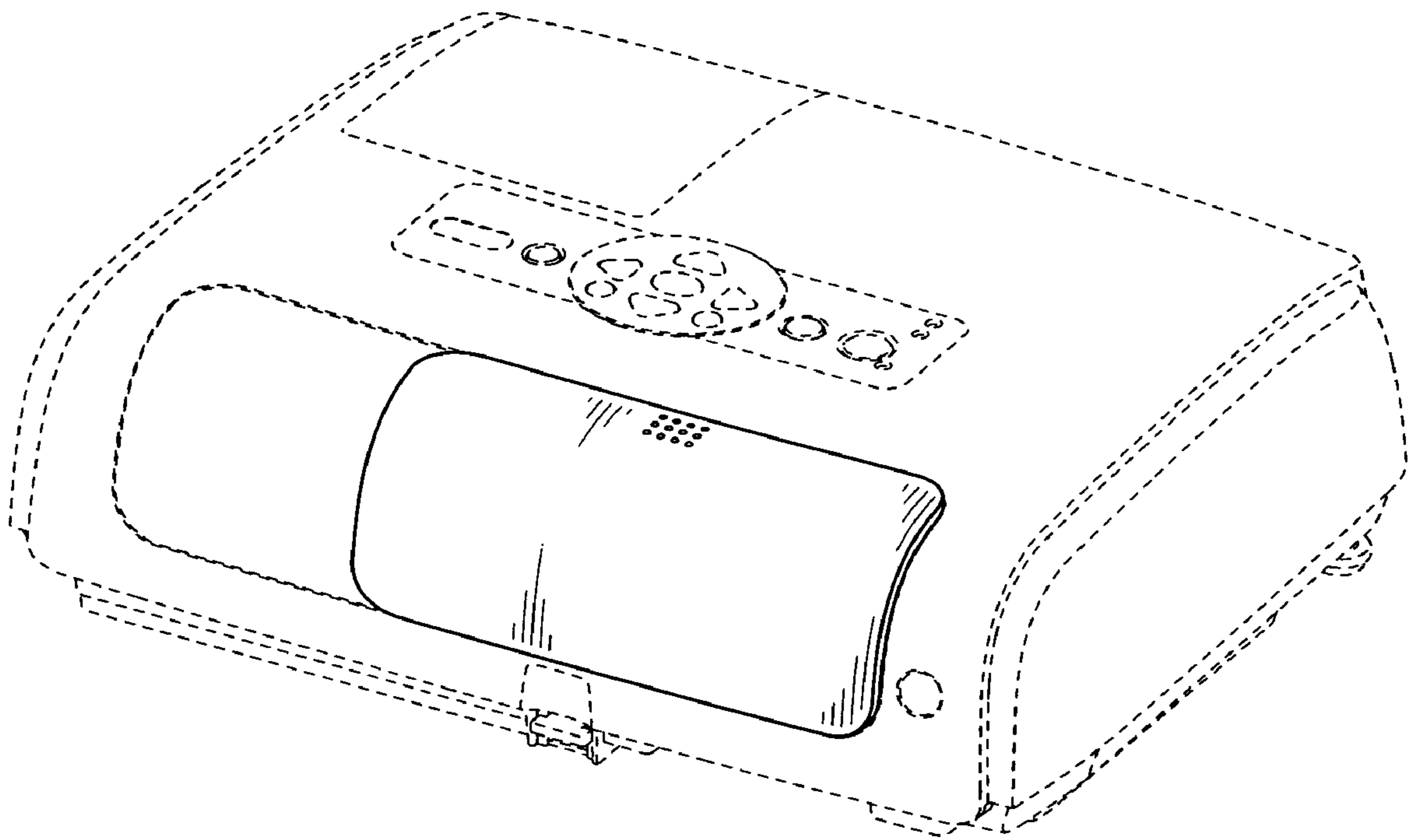


FIG.8