

US00D545340S

(12) **United States Design Patent**
Azuma

(10) **Patent No.:** **US D545,340 S**

(45) **Date of Patent:** **** Jun. 26, 2007**

(54) **LCD VIDEO PROJECTOR**

(75) **Inventor:** **Sadayoshi Azuma, Kyoto (JP)**

(73) **Assignee:** **Matsushita Electric Industrial Co., Ltd., Osaka (JP)**

(**) **Term:** **14 Years**

(21) **Appl. No.:** **29/239,360**

(22) **Filed:** **Sep. 29, 2005**

(30) **Foreign Application Priority Data**

Jul. 7, 2005 (JP) 2005-019807

(51) **LOC (8) Cl.** **16-02**

(52) **U.S. Cl.** **D16/230; D16/221; D16/225**

(58) **Field of Classification Search** D16/205,
D16/208, 213, 221, 225, 230, 231, 234; D21/514;
349/5, 7, 8, 9, 58; 352/34, 242; 353/115,
353/119, 122

See application file for complete search history.

(56) **References Cited**

U.S. PATENT DOCUMENTS

D401,955 S	12/1998	Kawamoto et al.	
D402,679 S	12/1998	Kawamoto et al.	
D418,532 S	1/2000	Kuramoto et al.	
D421,037 S	2/2000	Kawamoto et al.	
D425,097 S	5/2000	Kuramoto	
D439,923 S	4/2001	Kawamoto	
D454,903 S	3/2002	Kawamoto et al.	
D470,525 S *	2/2003	Nakayama et al. D16/231
D472,570 S	4/2003	Takahashi	
D475,389 S	6/2003	Kurokawa	
D476,353 S	6/2003	Morishita et al.	
6,616,282 B2 *	9/2003	Ozawa 353/119
D480,410 S	10/2003	Morishita et al.	
D482,381 S	11/2003	Morishita et al.	
D482,716 S	11/2003	Azuma et al.	
D489,391 S	5/2004	Morishita et al.	

D491,973 S	6/2004	Morishita et al.	
D492,714 S	7/2004	Morishita et al.	
D498,490 S *	11/2004	Kawasaki et al. D16/231
D498,781 S	11/2004	Azuma et al.	
D506,770 S *	6/2005	Saeki et al. D16/230

FOREIGN PATENT DOCUMENTS

JP	1092912	12/2000
JP	1096557	1/2001

(Continued)

OTHER PUBLICATIONS

Panasonic, "Liquid Crystal Projector TH-AE700", *Panasonic Publication*, Feb. 9, 2005, 3 pages.

Primary Examiner—Alan P. Douglas

Assistant Examiner—W. Laymon

(74) *Attorney, Agent, or Firm*—Brinks Hofer Gilson & Lione

(57) **CLAIM**

I claim the ornamental design for an LCD video projector, as shown and described.

DESCRIPTION

FIG. 1 is a top perspective view of an LCD video projector of the present invention;

FIG. 2 is a front view thereof;

FIG. 3 is a rear view thereof;

FIG. 4 is a first side view thereof;

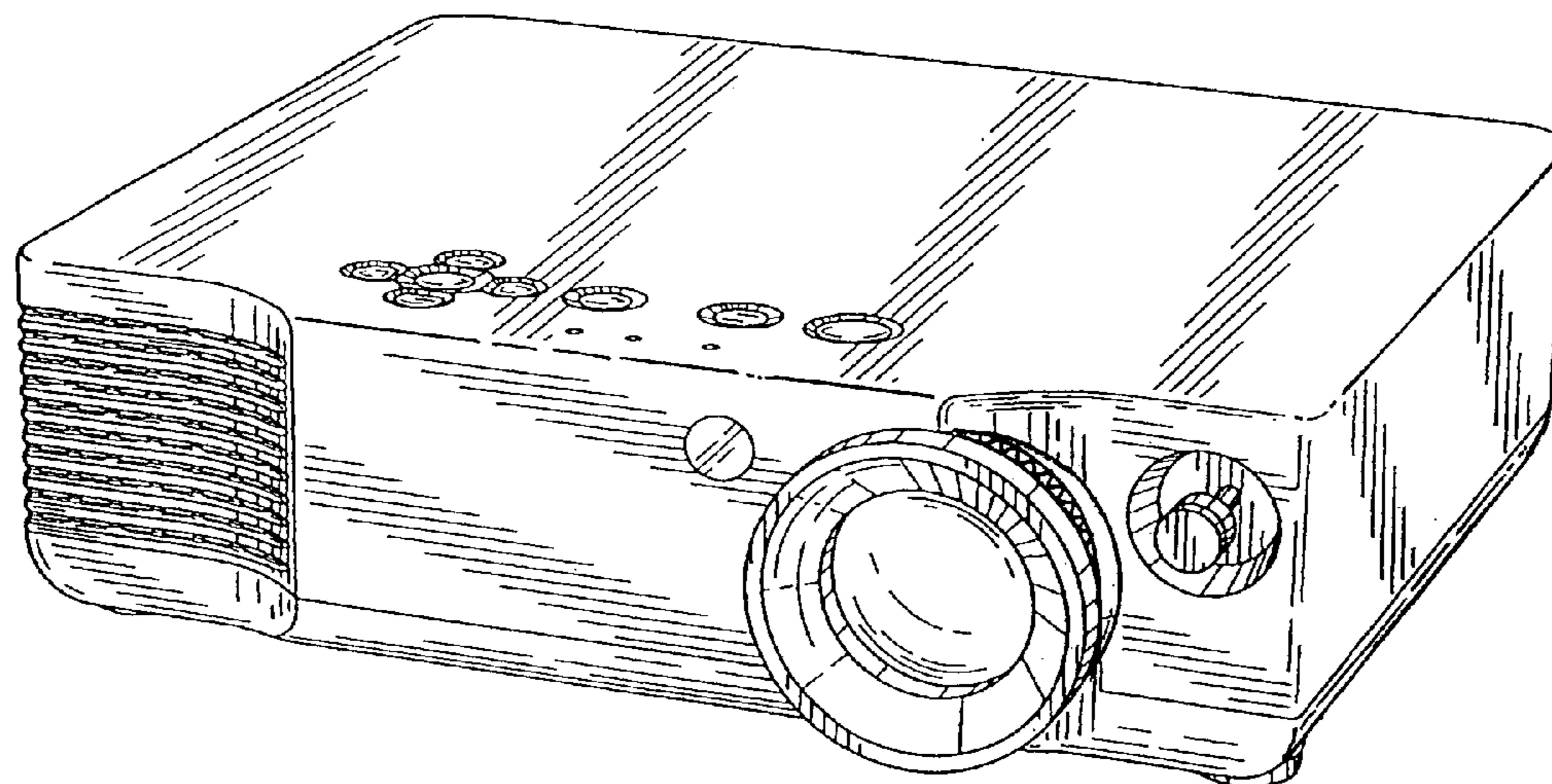
FIG. 5 is an opposite side view of that shown in FIG. 4 thereof;

FIG. 6 is a top view thereof; and,

FIG. 7 is a bottom view thereof.

The broken lines in the drawings are for illustrative purposes only and form no part of the claimed design.

1 Claim, 5 Drawing Sheets



US D545,340 S

Page 2

FOREIGN PATENT DOCUMENTS					
			JP	1201887	4/2004
			JP	1202097	4/2004
			JP	1202287	4/2004
			JP	1203778	4/2004
			JP	1237110	4/2005
			JP	1237695	4/2005
			JP	1239007	5/2005
			* cited by examiner		
JP	1102869	3/2001			
JP	1116159	7/2001			
JP	1144952	6/2002			
JP	1170825	4/2003			
JP	1172659	5/2003			
JP	1177377	6/2003			
JP	1186302	9/2003			

FIG. 1

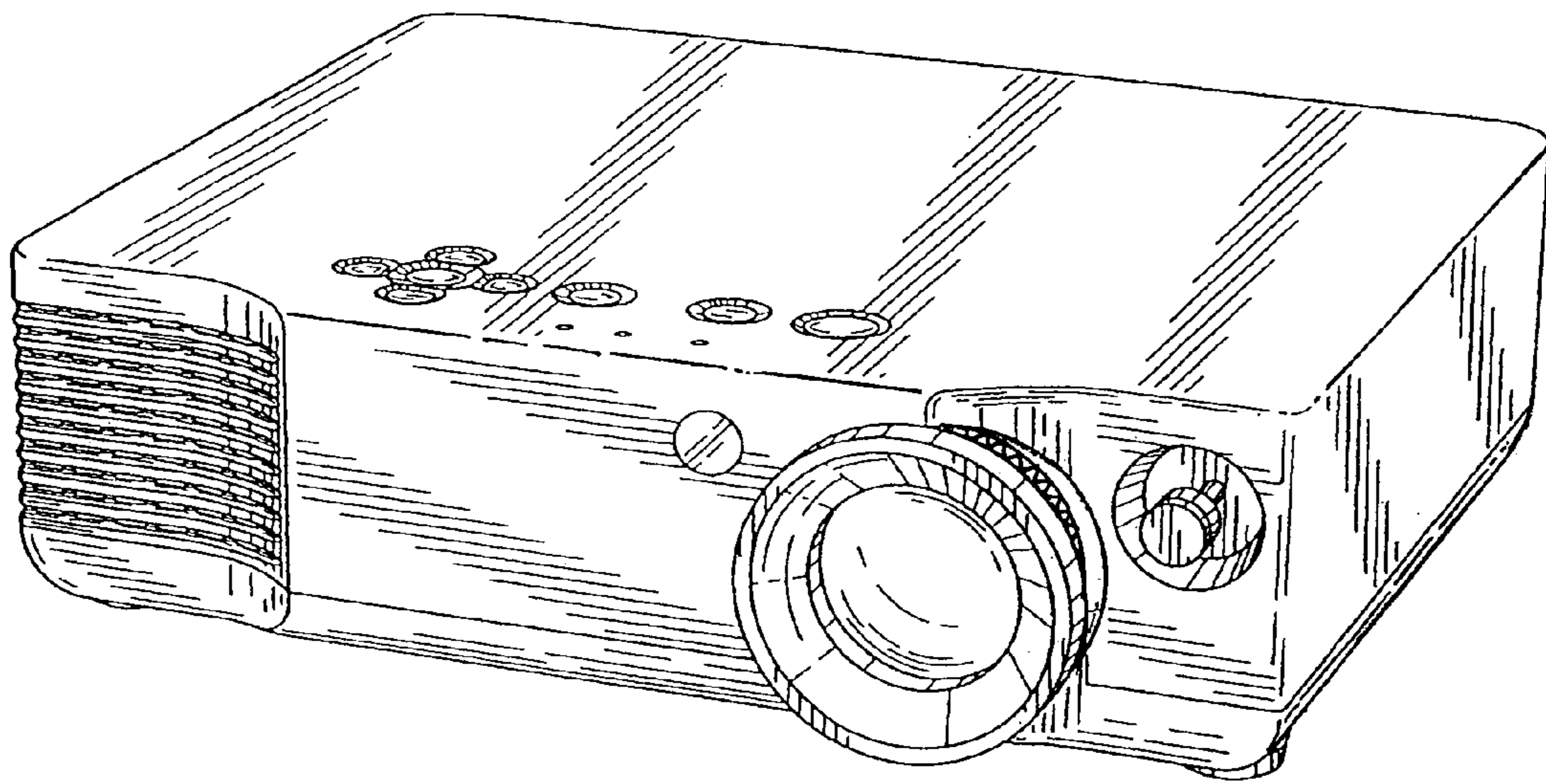


FIG. 2

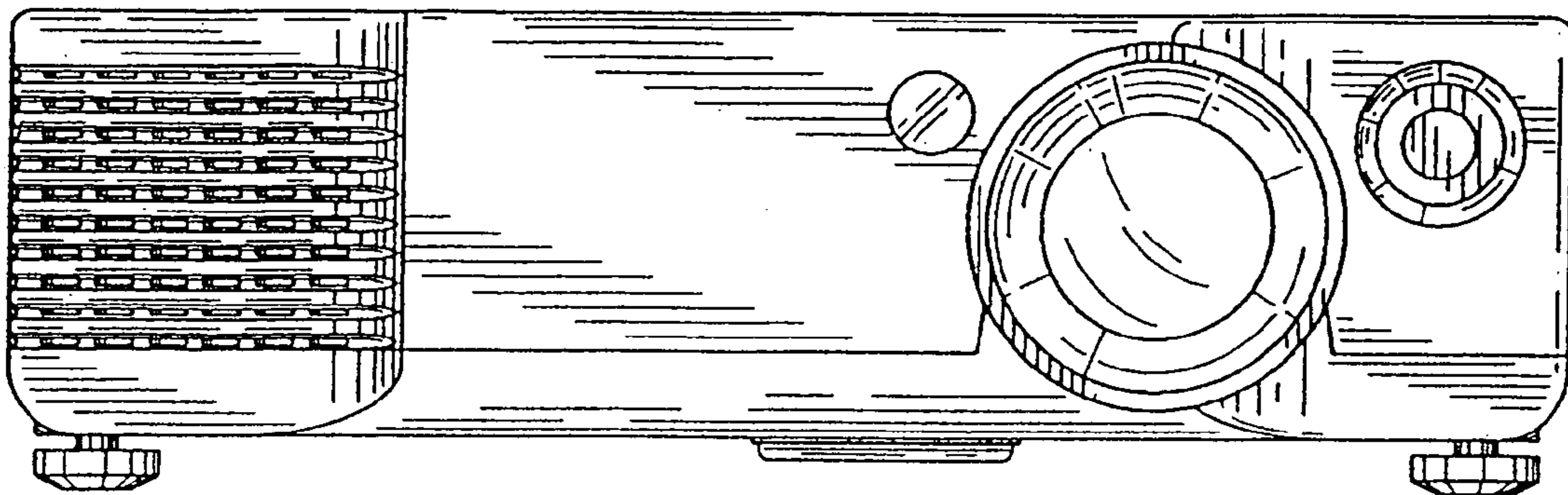


FIG. 3

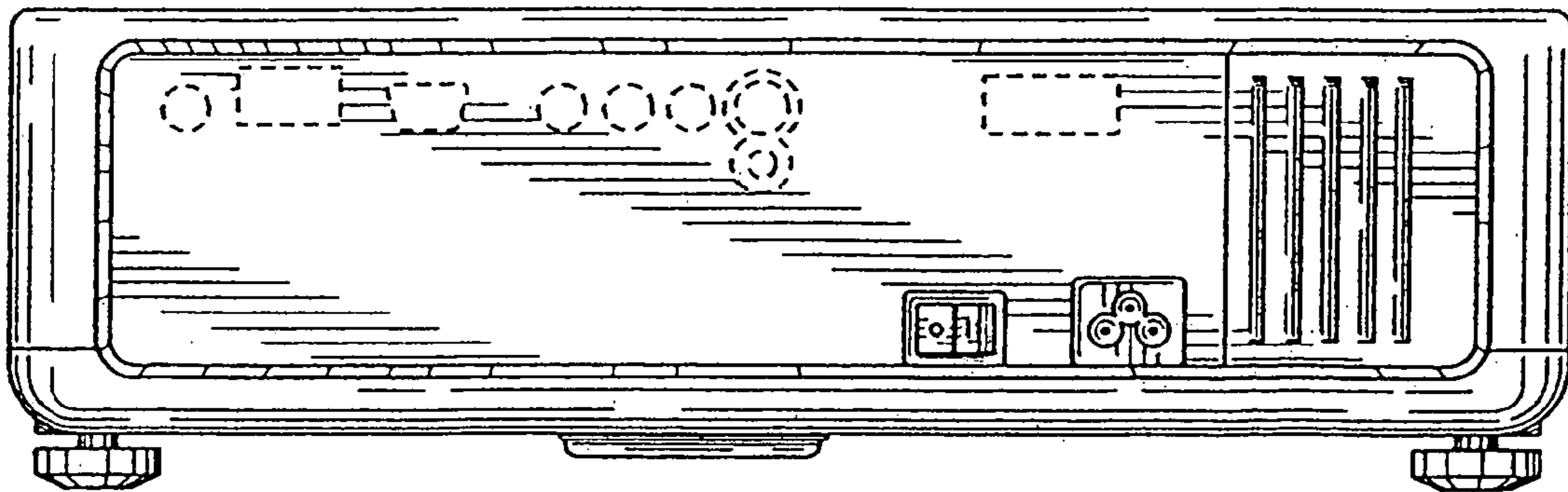


FIG. 4

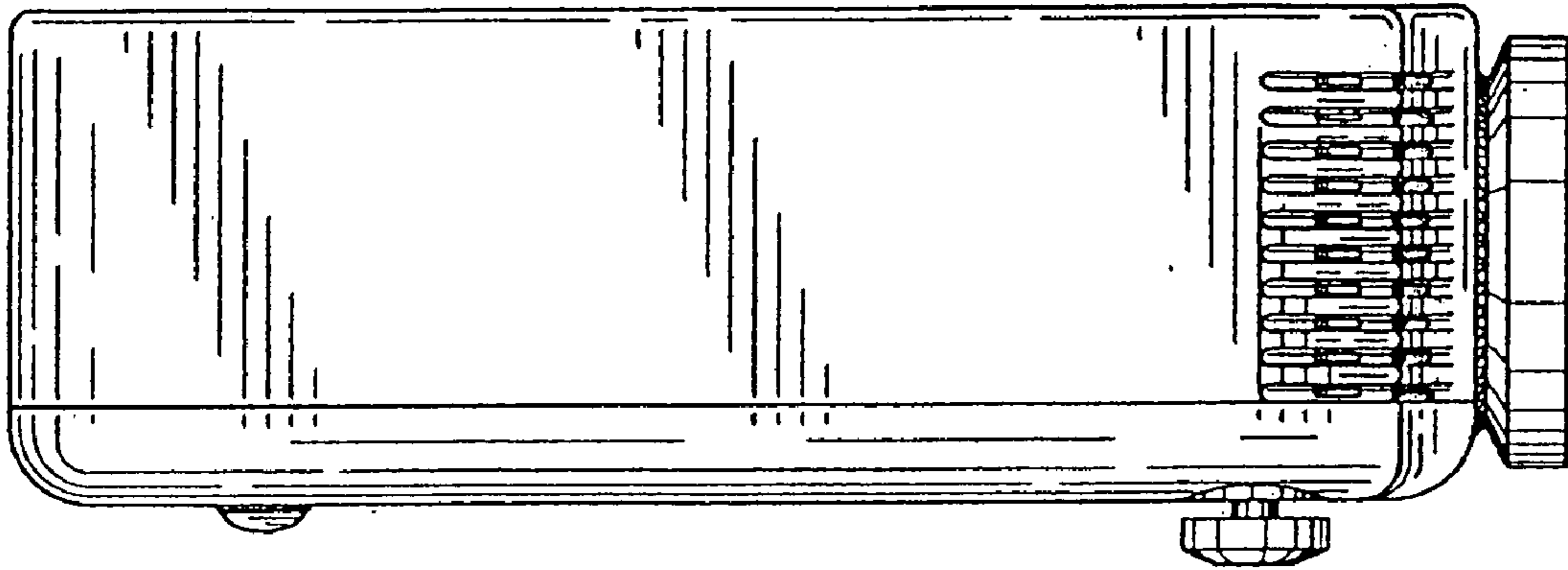


FIG. 5

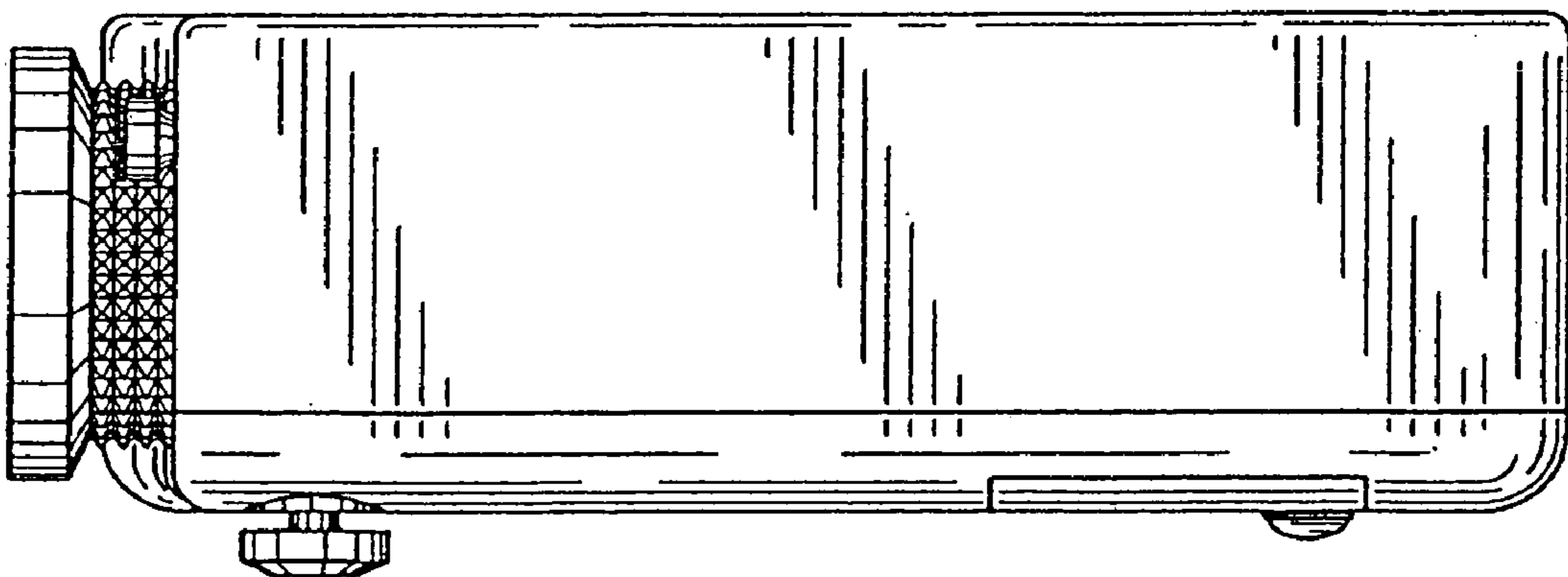


FIG. 6

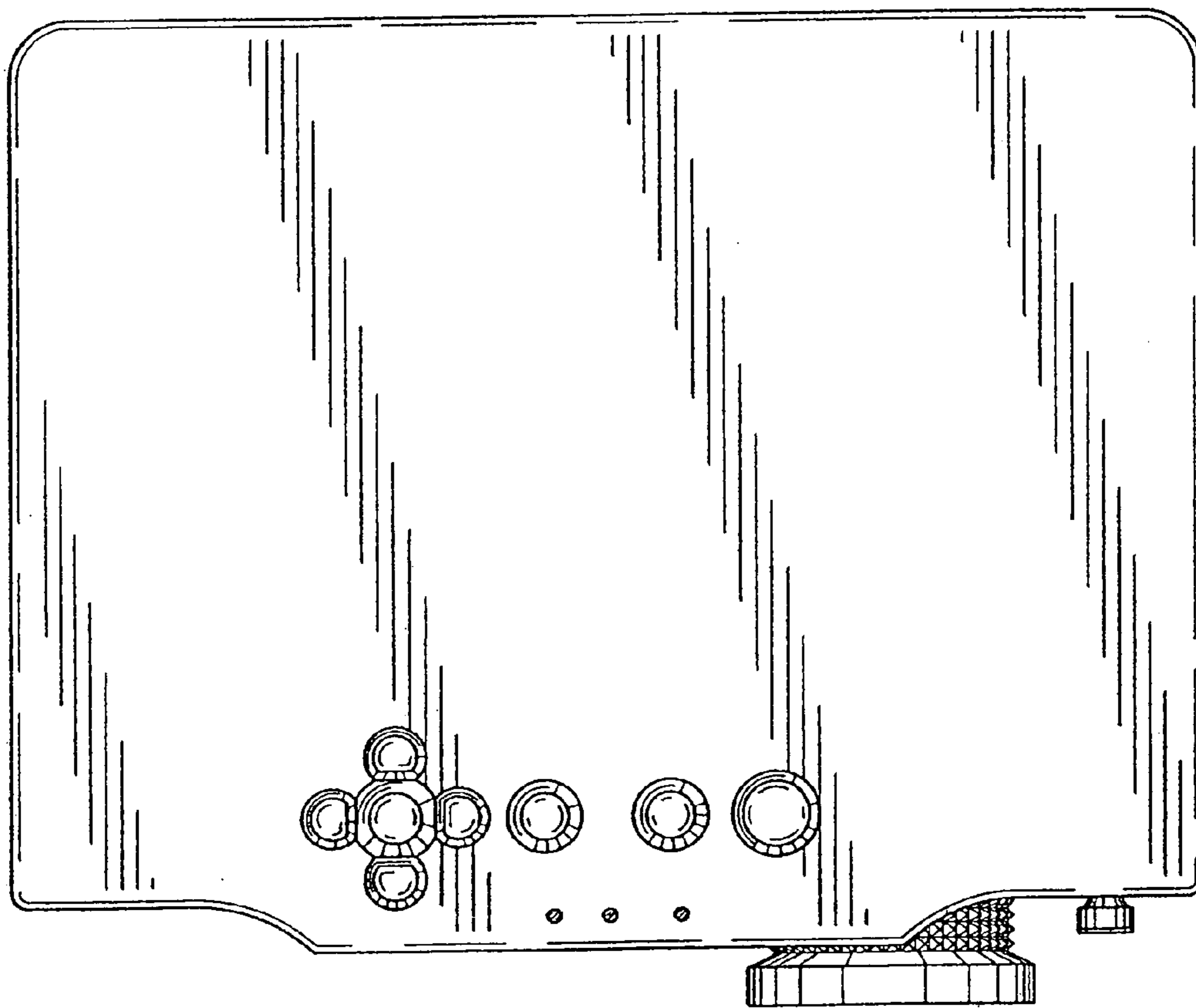


FIG. 7

