



US00D545339S

(12) **United States Design Patent**
Naruki

(10) **Patent No.:** **US D545,339 S**
(45) **Date of Patent:** **** Jun. 26, 2007**

(54) **LIQUID CRYSTAL PROJECTOR**
(75) Inventor: **Masatomo Naruki**, Kawasaki (JP)
(73) Assignee: **Kabushiki Kaisha Toshiba** (JP)
(**) Term: **14 Years**

JP 1115366 7/2001
JP 1171655 4/2003
JP 1171657 4/2003
JP 1171728 4/2003
JP 1177003 6/2003
JP 1201428 4/2004
JP 1220148 10/2004

(21) Appl. No.: **29/235,786**
(22) Filed: **Aug. 8, 2005**

(30) **Foreign Application Priority Data**
Jun. 10, 2005 (JP) 2005-016944

(51) **LOC (8) Cl.** **16-02**
(52) **U.S. Cl.** **D16/230; D16/221; D16/225**
(58) **Field of Classification Search** D16/205,
D16/208, 213, 221, 225, 230, 231, 234; D21/514;
349/5, 7, 8, 9, 58; 352/34, 242; 353/115,
353/119, 122

See application file for complete search history.

(56) **References Cited**

U.S. PATENT DOCUMENTS

D449,331 S * 10/2001 Kawahara et al. D16/230
D467,604 S * 12/2002 Niitsu D16/230
D477,833 S 7/2003 Kurokawa et al.
D480,410 S * 10/2003 Morishita et al. D16/230
D491,973 S 6/2004 Morishita et al.
D492,714 S * 7/2004 Morishita et al. D16/231
D499,753 S 12/2004 Shigemura et al.
D506,771 S 6/2005 Ooshima et al.

FOREIGN PATENT DOCUMENTS

JP 904972 8/1994

OTHER PUBLICATIONS

B&H Summer 2004 Catalog, pp. 124-127, dated Jun. 2004.

* cited by examiner

Primary Examiner—Alan P. Douglas
Assistant Examiner—W. Laymon
(74) *Attorney, Agent, or Firm*—Banner & Witcoff, Ltd.

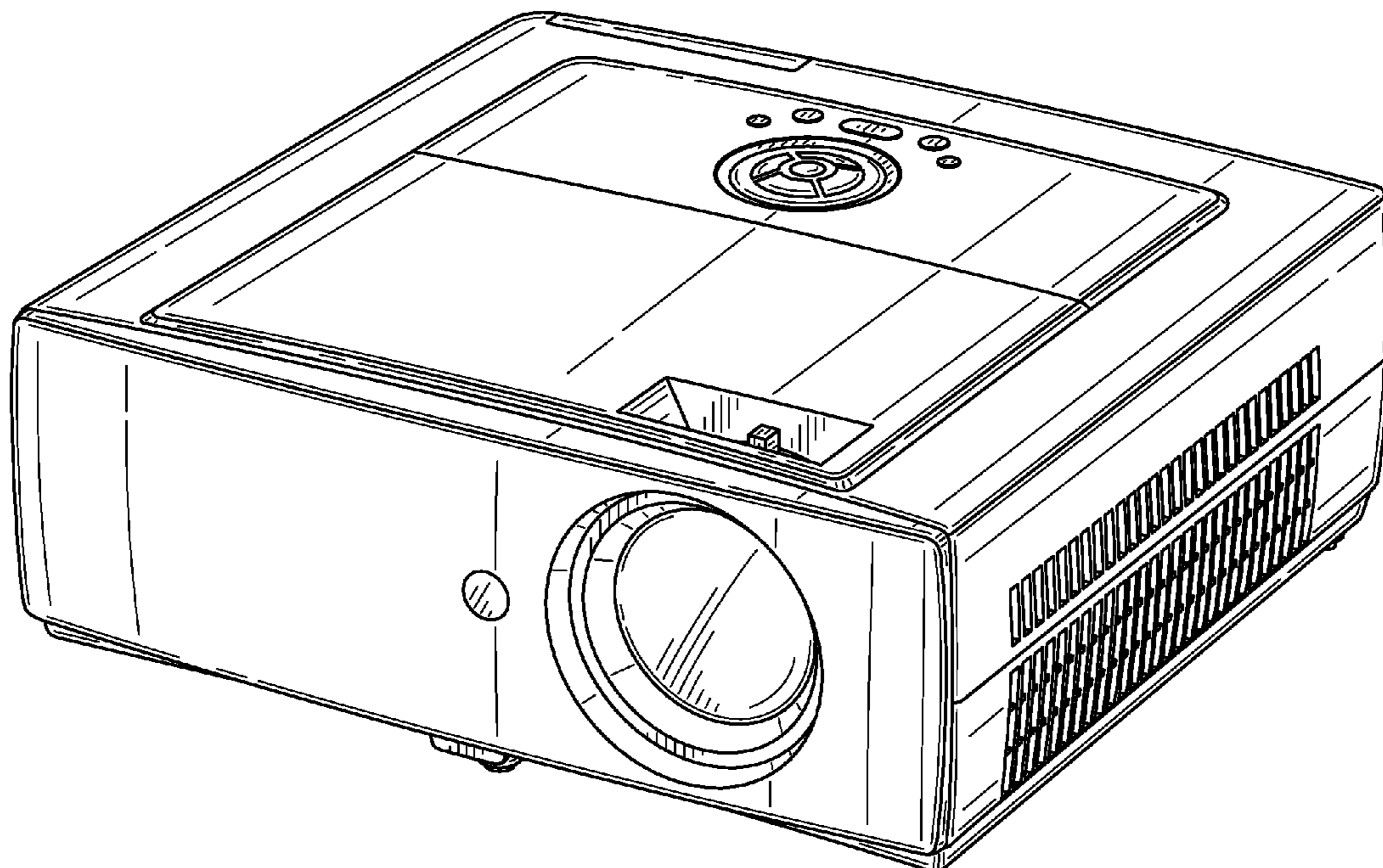
(57) **CLAIM**

The ornamental design for a liquid crystal projector, as shown and described.

DESCRIPTION

FIG. 1 is a front, top and right side perspective view of a liquid crystal projector, showing my new design;
FIG. 2 is a front elevational view thereof;
FIG. 3 is a rear elevational view thereof;
FIG. 4 is a top plan view thereof;
FIG. 5 is a bottom plan view thereof;
FIG. 6 is a right side elevational view thereof; and,
FIG. 7 is a left side elevational view thereof.

1 Claim, 5 Drawing Sheets



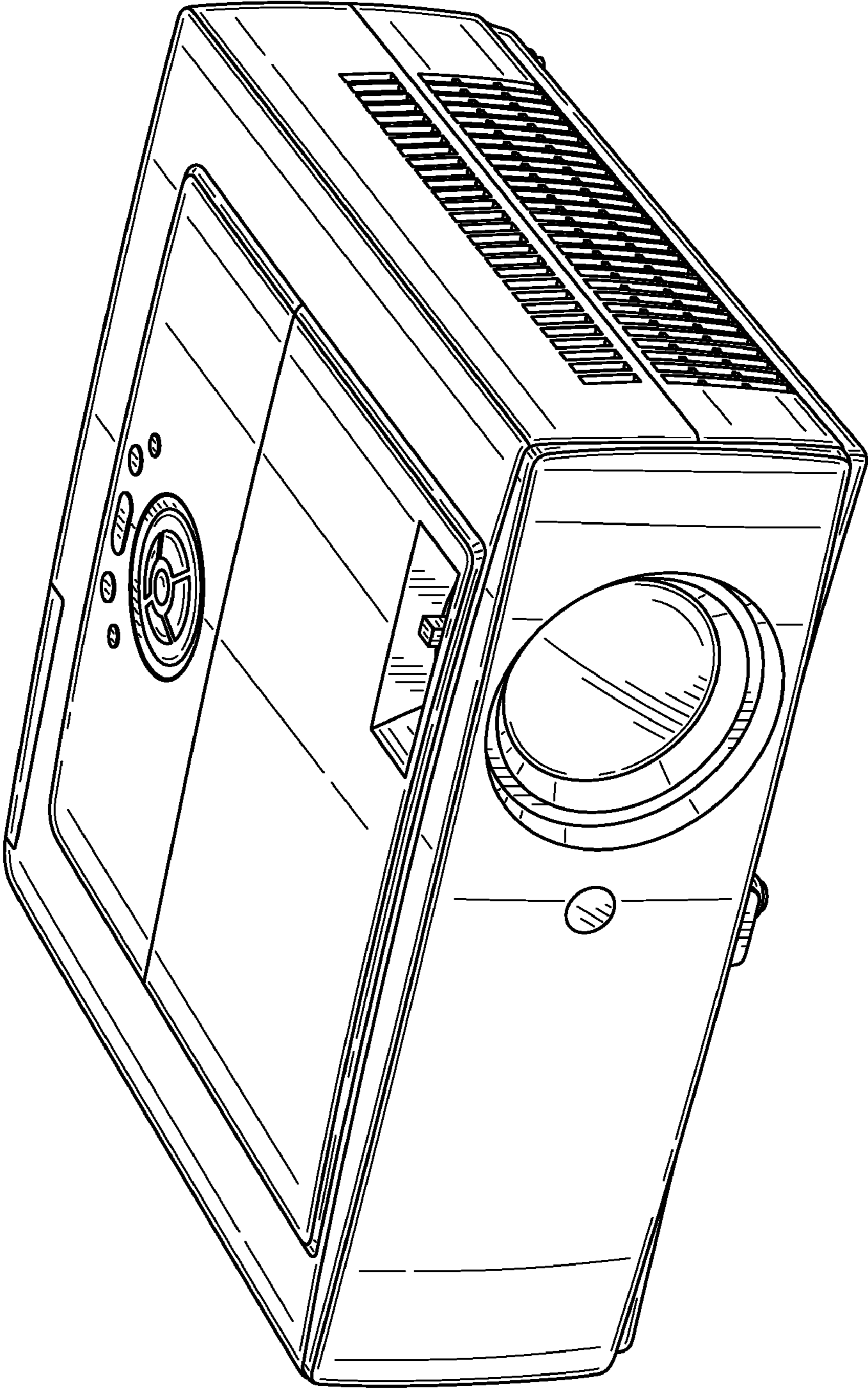


FIG. 1

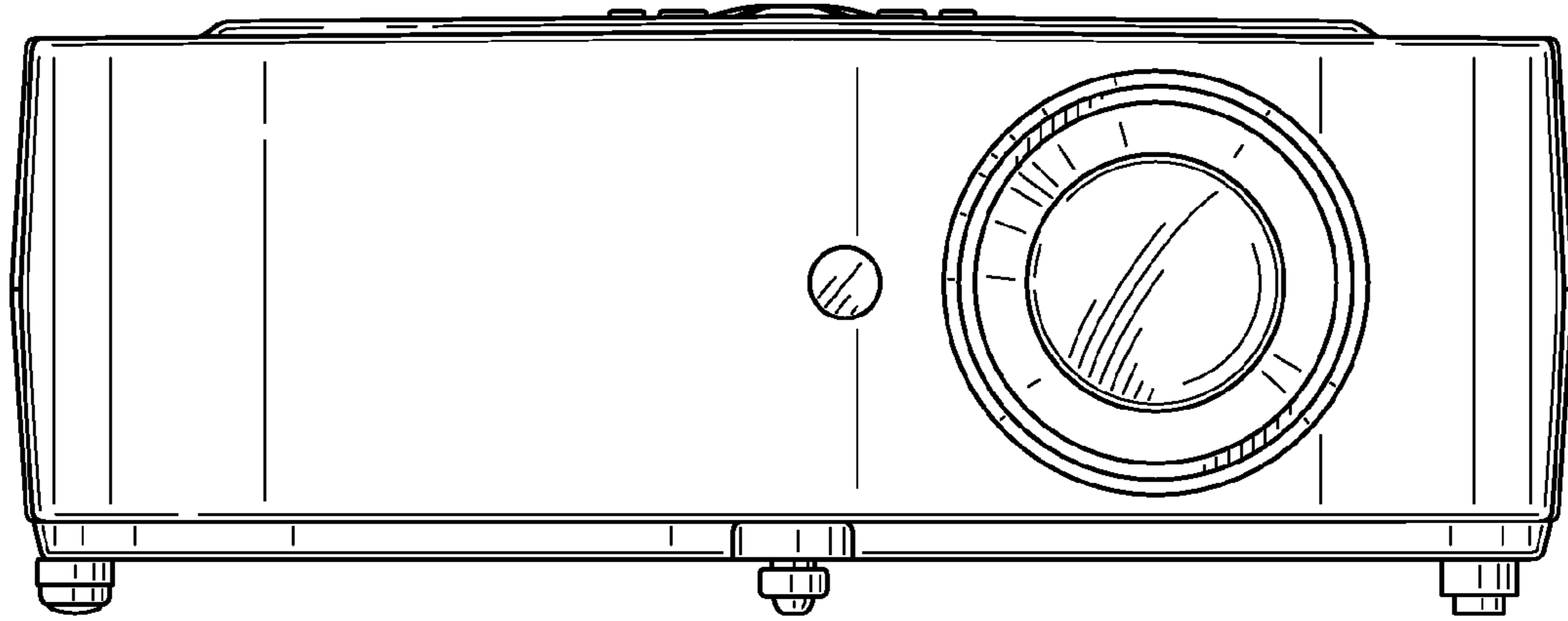


FIG. 2

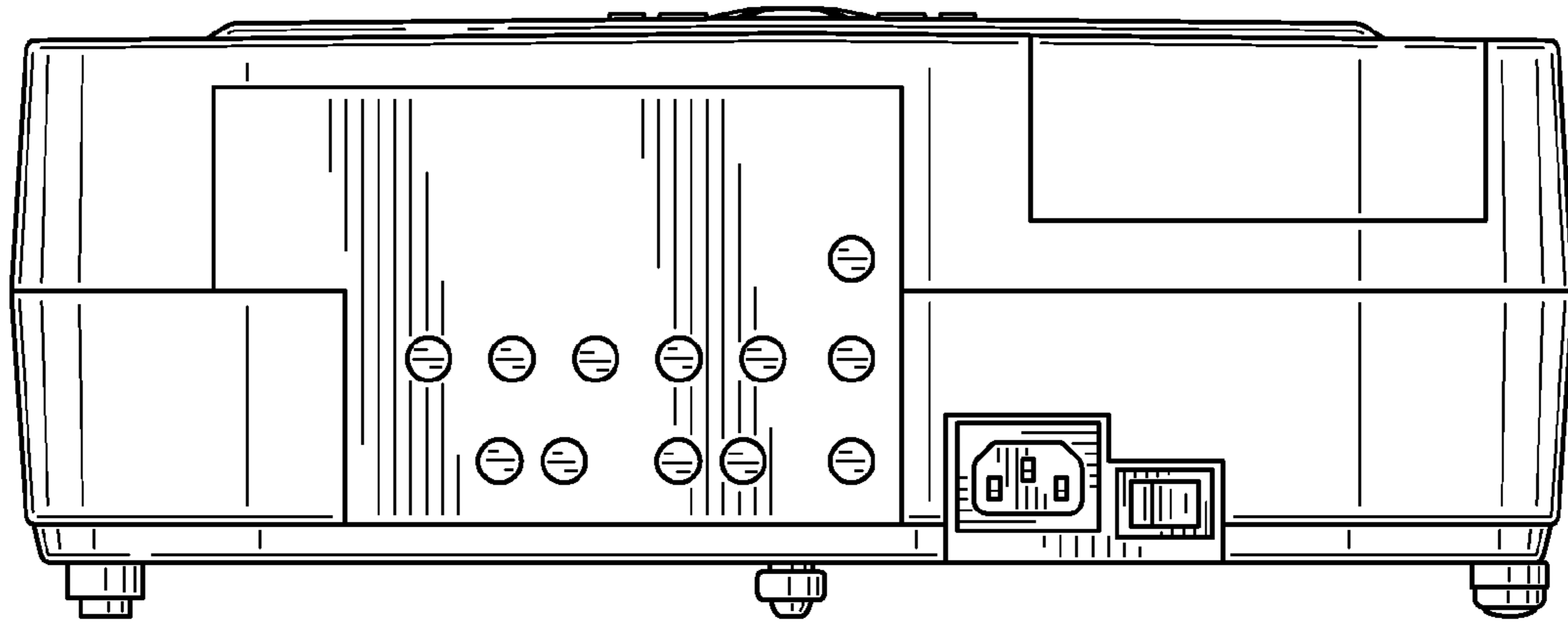


FIG. 3

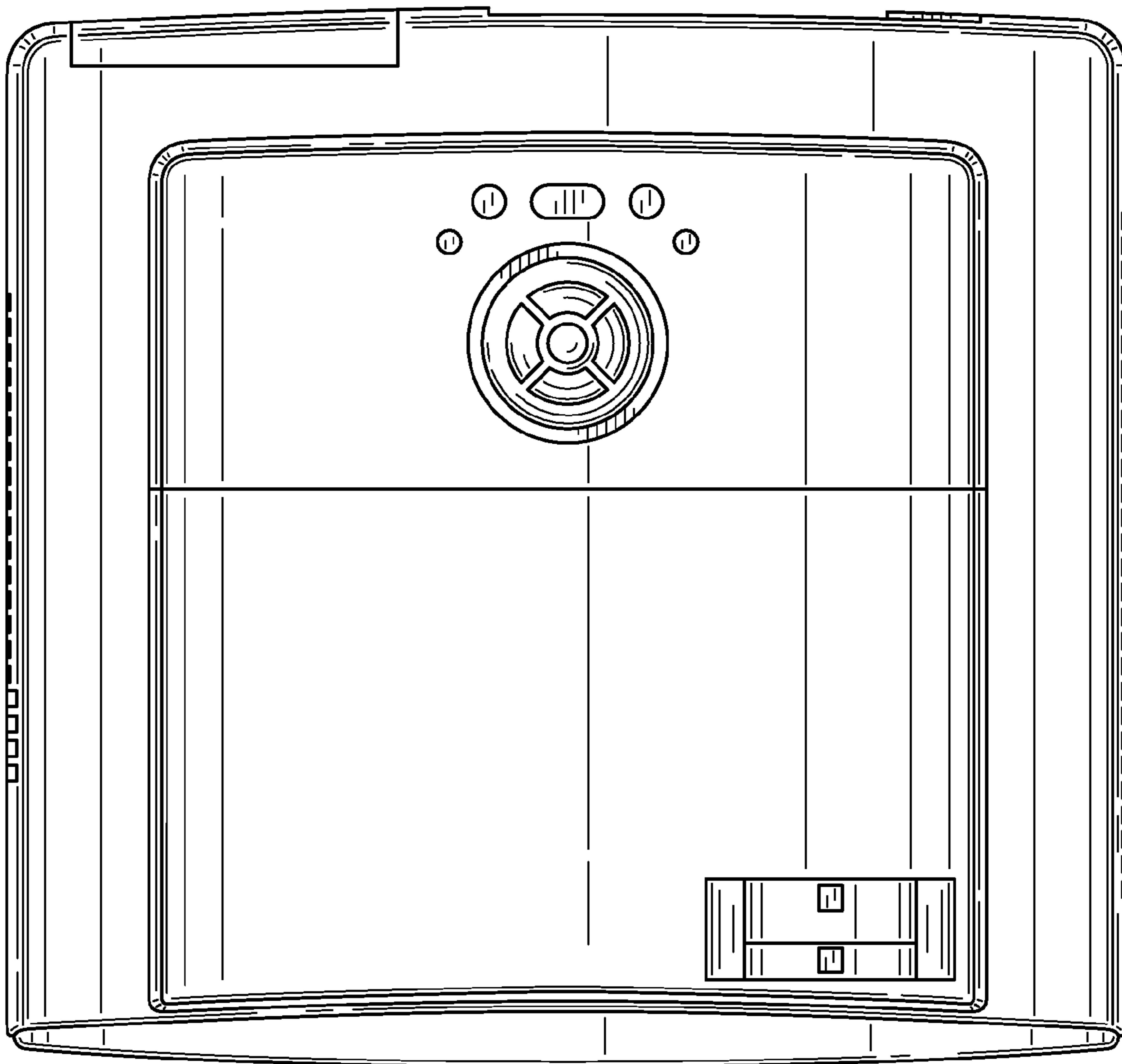


FIG. 4

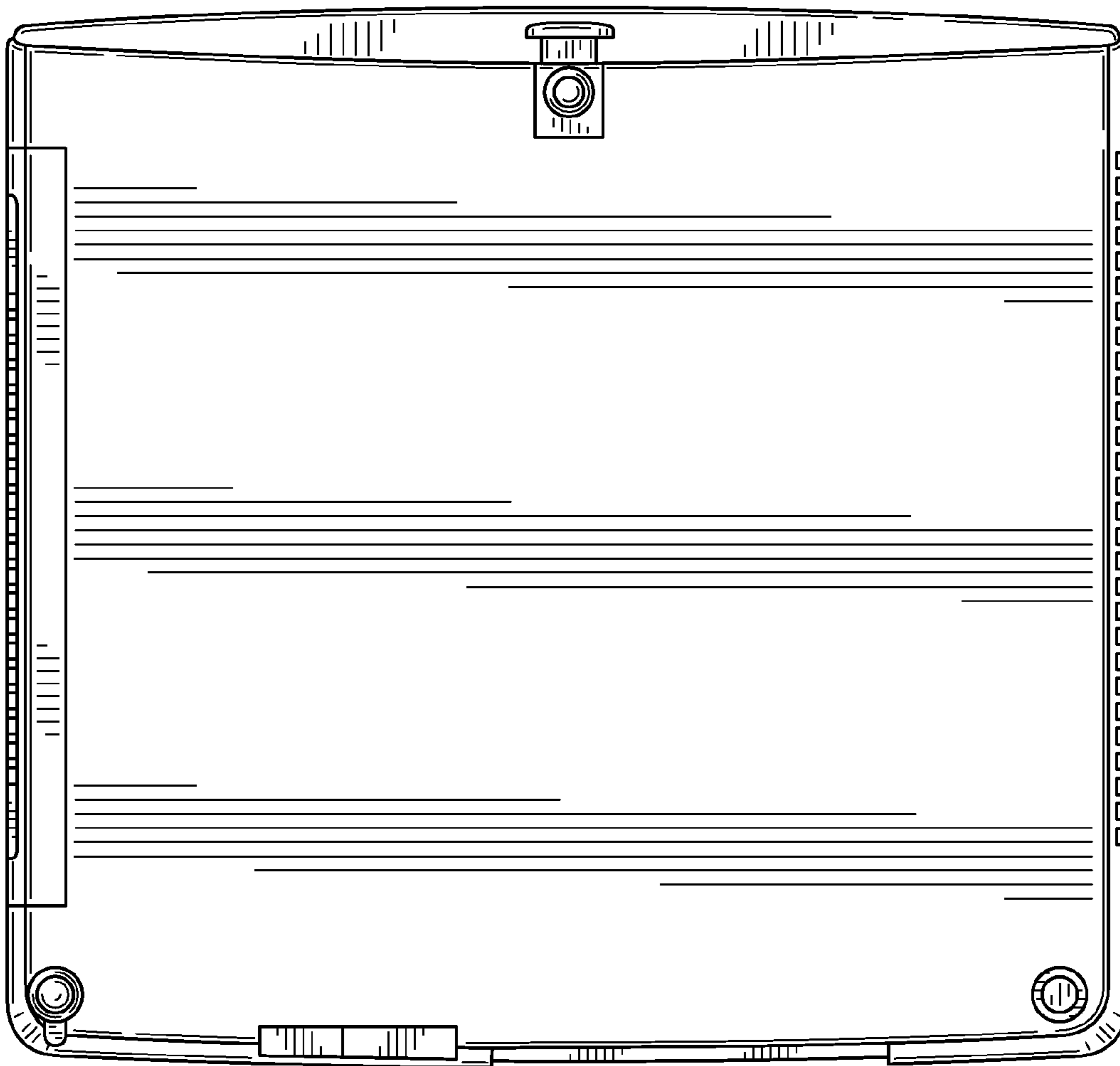


FIG. 5

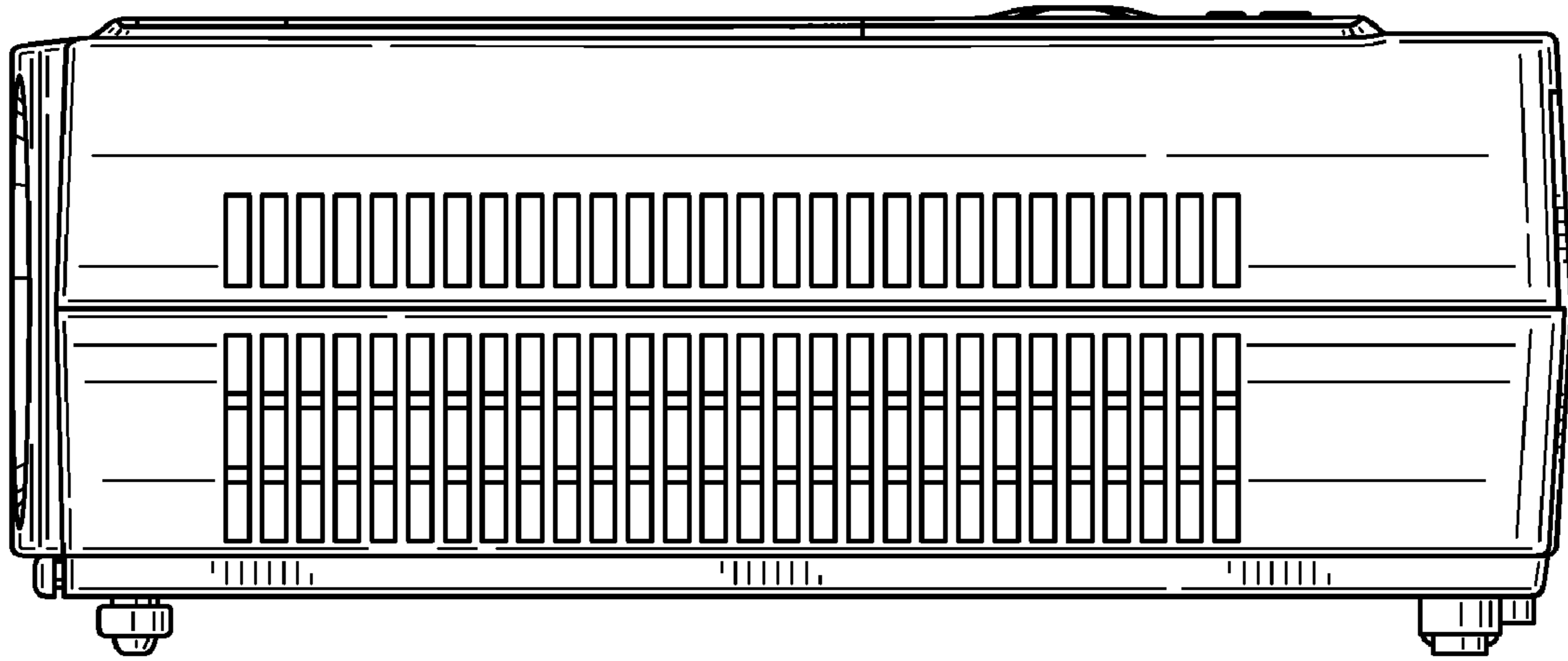


FIG. 6

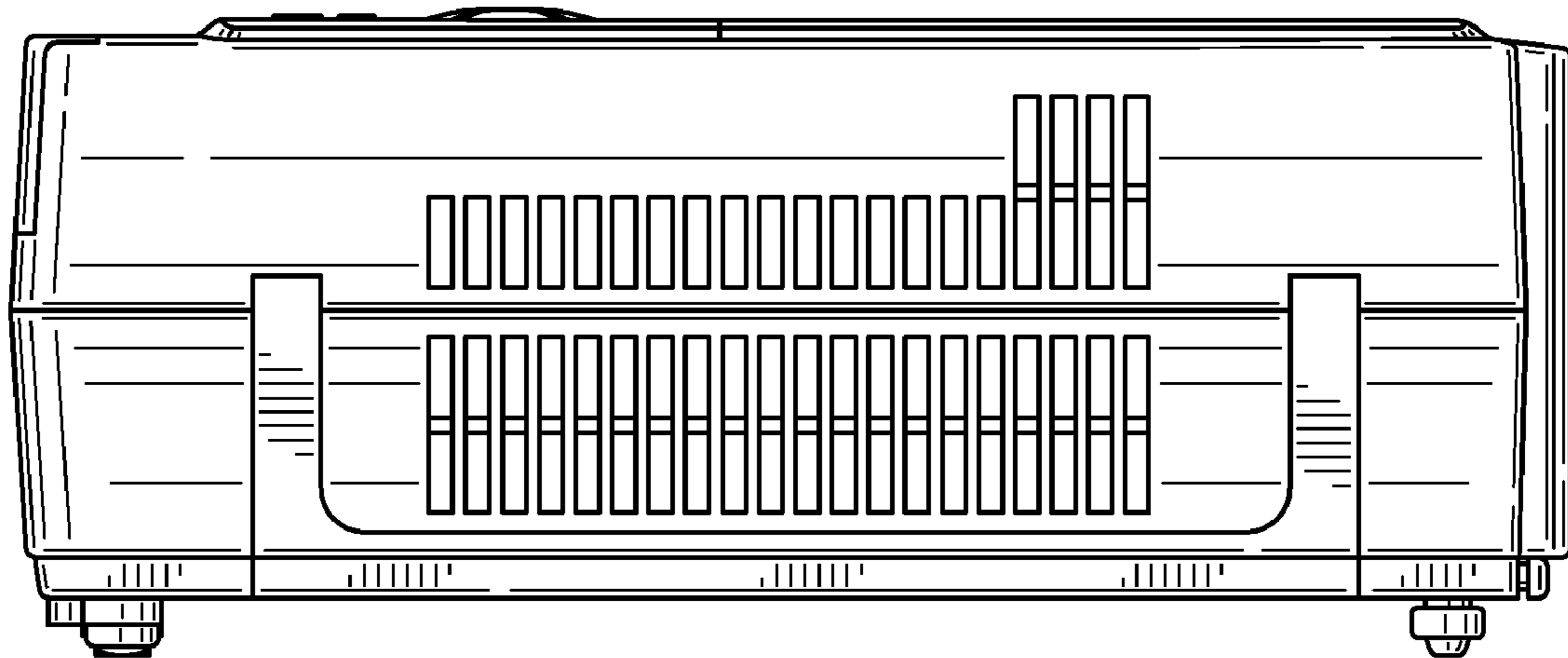


FIG. 7