



US00D545338S

(12) **United States Design Patent**
Lee

(10) **Patent No.:** **US D545,338 S**

(45) **Date of Patent:** **** Jun. 26, 2007**

(54) **DIGITAL CAMERA**

D522,555 S * 6/2006 Choi D16/202
D536,720 S * 2/2007 Miyashita D16/202

(75) Inventor: **Soo Jung Lee**, Seoul (KR)

* cited by examiner

(73) Assignee: **Samsung Techwin Co., Ltd.**,
Changwon (KR)

Primary Examiner—Adir Aronovich
(74) *Attorney, Agent, or Firm*—Drinker, Biddle & Reath
LLP

(**) Term: **14 Years**

(21) Appl. No.: **29/251,379**

(57) **CLAIM**

(22) Filed: **Jan. 6, 2006**

I claim the ornamental design for a digital camera, as shown and described.

(30) **Foreign Application Priority Data**

Jul. 8, 2005 (KR) 30-2005-0023007

DESCRIPTION

(51) **LOC (8) Cl.** **16-05**

FIG. 1 is a front perspective view of the design for a digital camera;

(52) **U.S. Cl.** **D16/219**; D16/202

FIG. 2 is a front view of the design of FIG. 1;

(58) **Field of Classification Search** D16/200–204,
D16/208, 218, 219; 348/373–376; 358/909.1;
396/6, 535, 536–541

FIG. 3 is a rear view of the design of FIG. 1;

FIG. 4 is a left side view of the design of FIG. 1;

See application file for complete search history.

FIG. 5 is a right side view of the design of FIG. 1;

FIG. 6 is a top view of the design of FIG. 1;

FIG. 7 is a bottom view of the design of FIG. 1; and,

FIG. 8 is a rear-perspective view of the design for a digital camera.

(56) **References Cited**

U.S. PATENT DOCUMENTS

D387,078 S * 12/1997 Akita D16/202
D494,203 S * 8/2004 Yoo D16/202
D503,184 S * 3/2005 Horikiri D16/219
D516,107 S * 2/2006 Kim D16/202

1 Claim, 5 Drawing Sheets

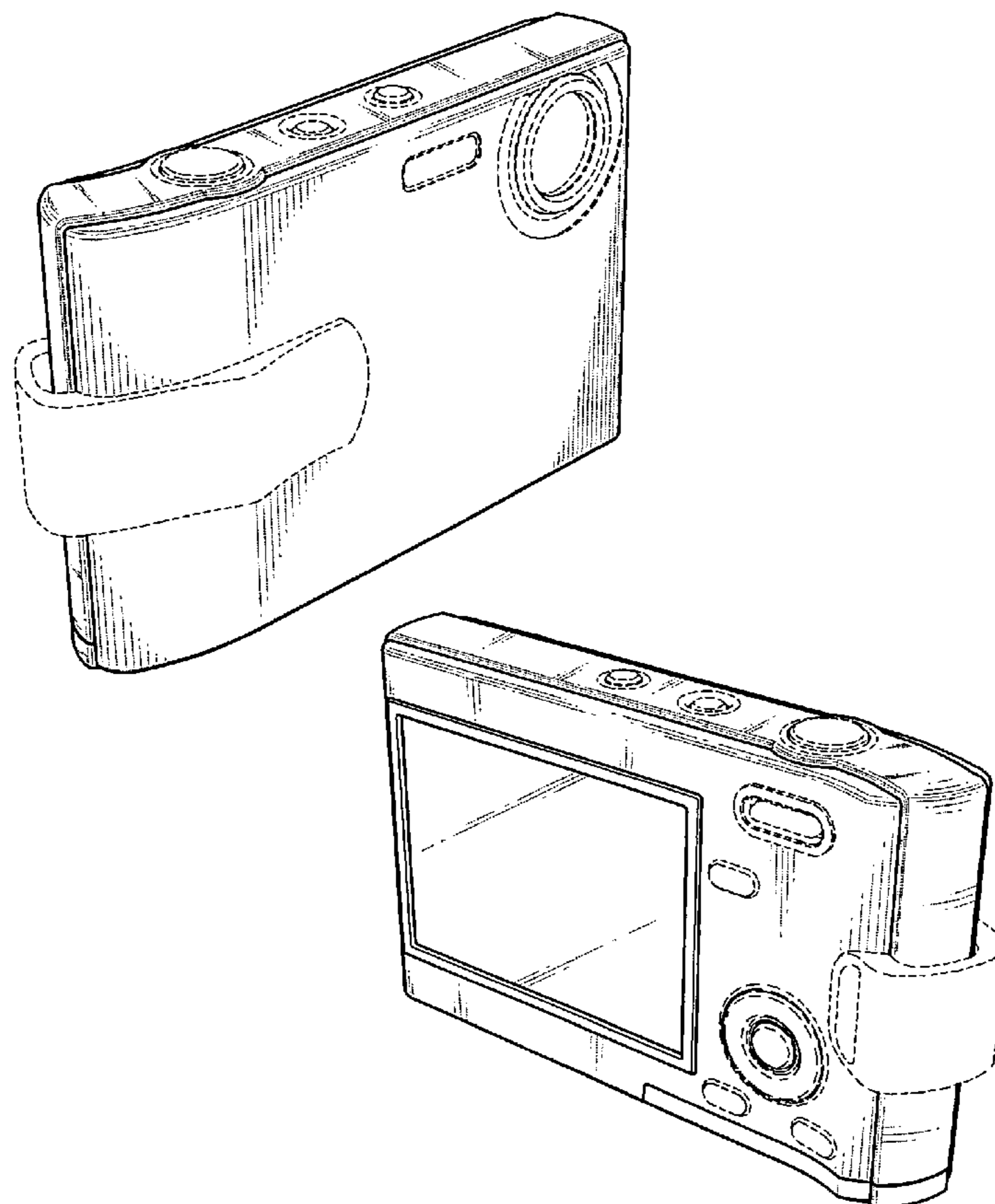


FIG. 1

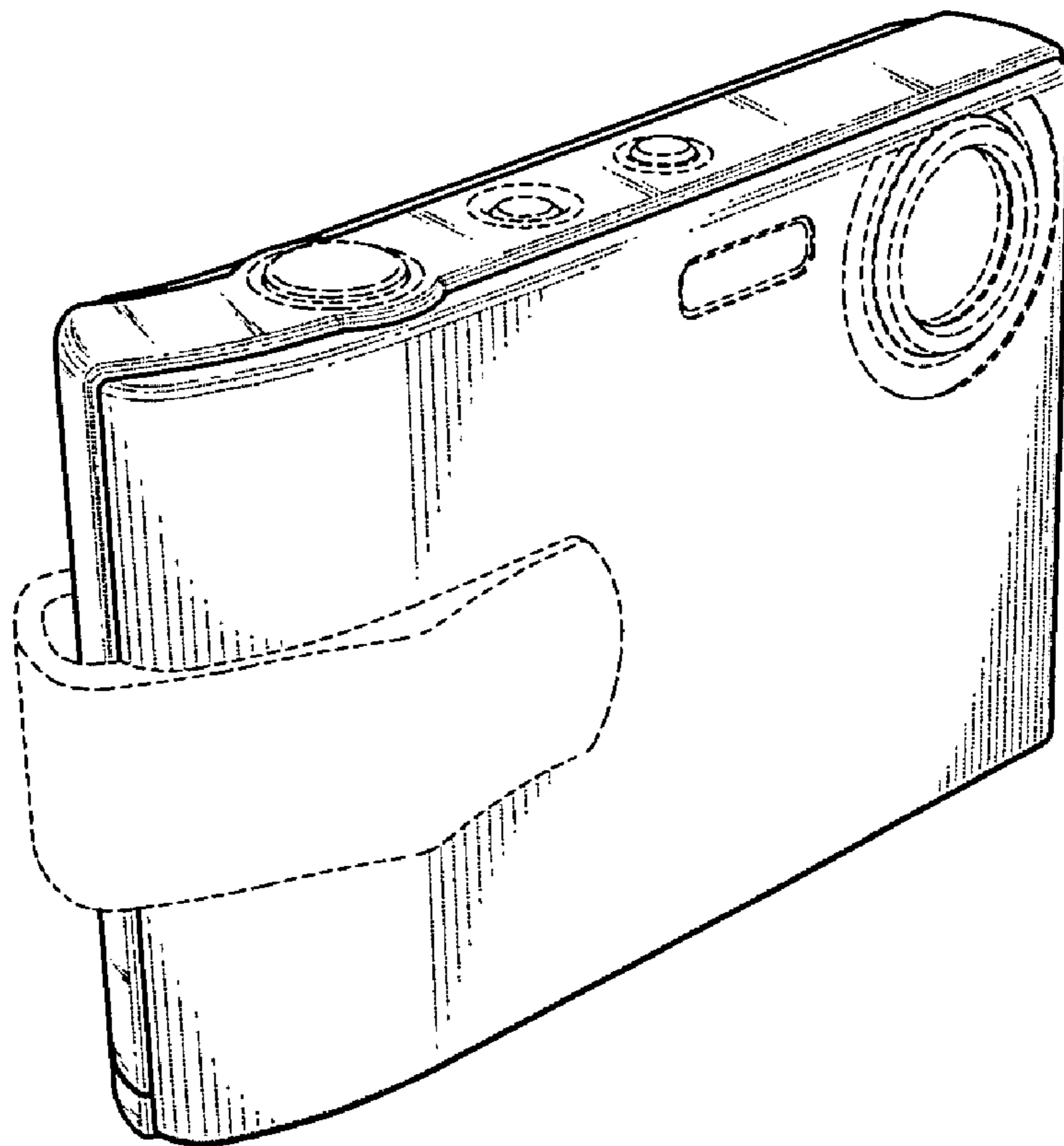


FIG. 2

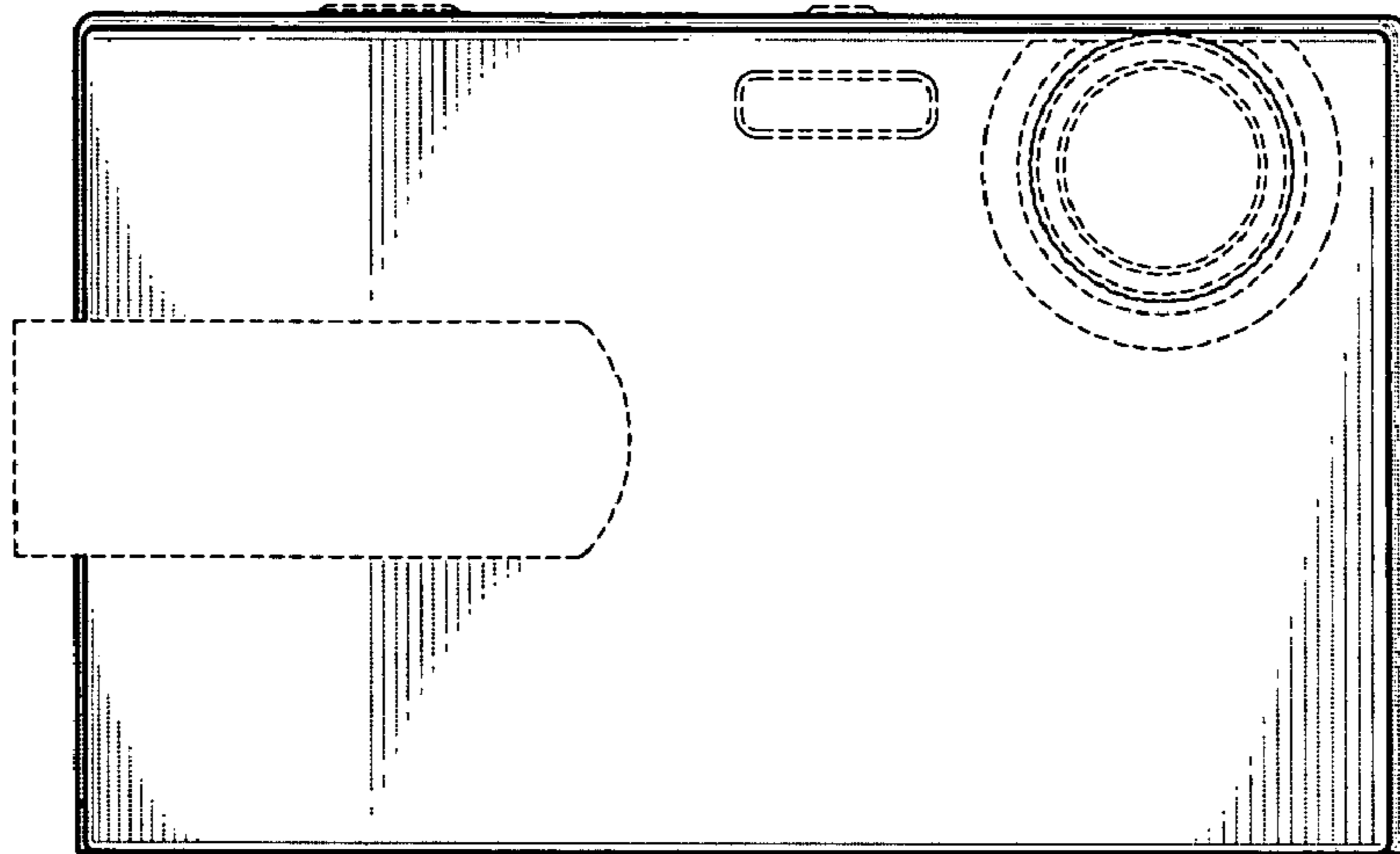


FIG. 3

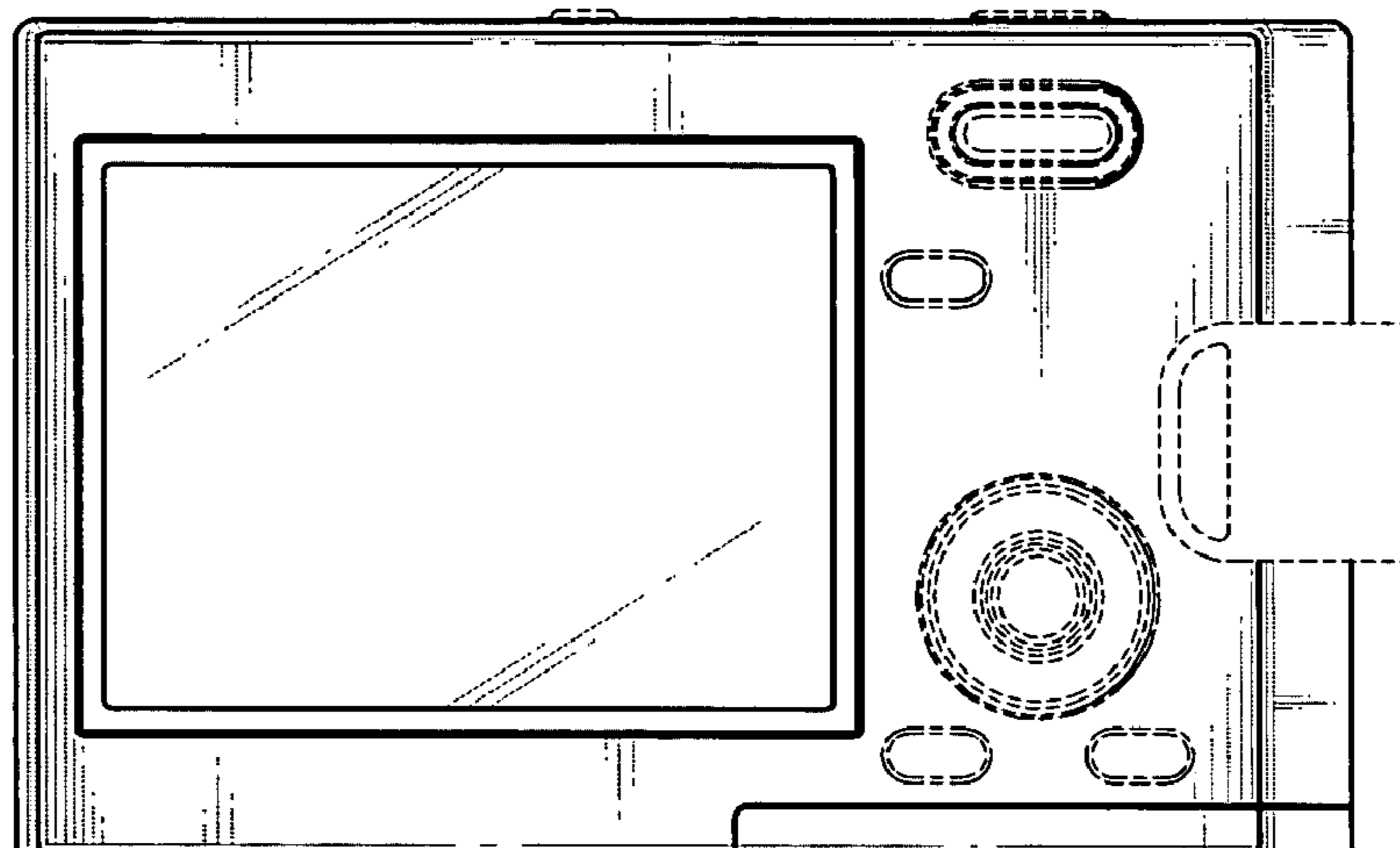


FIG. 4

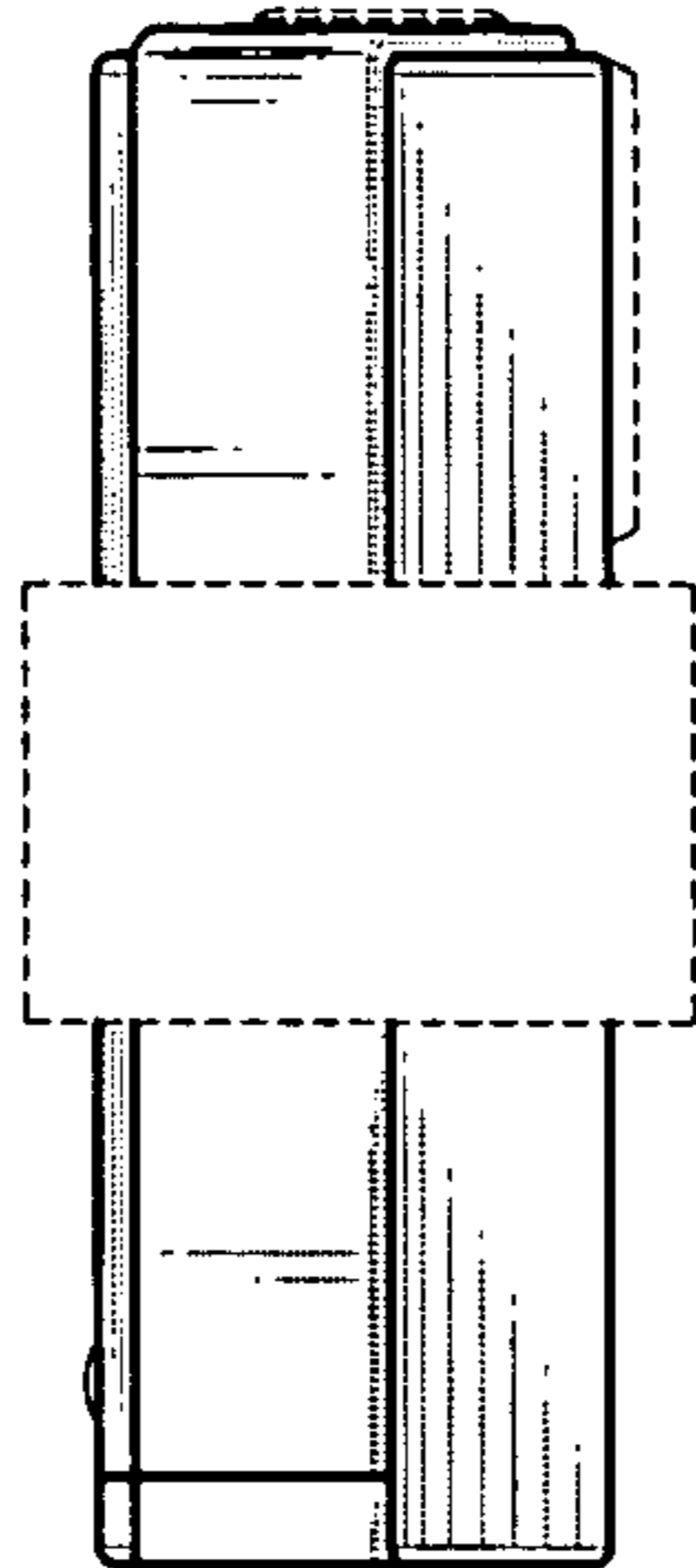


FIG. 5

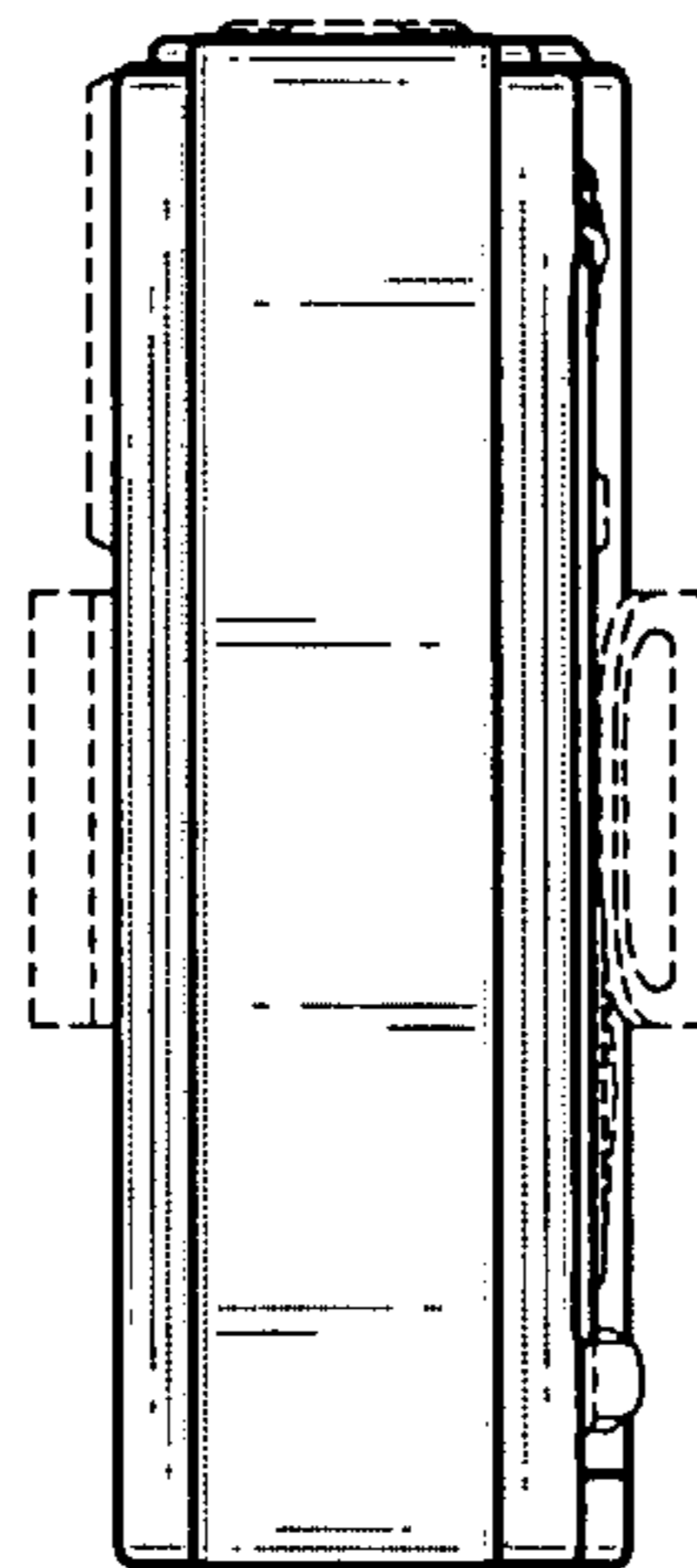


FIG. 6

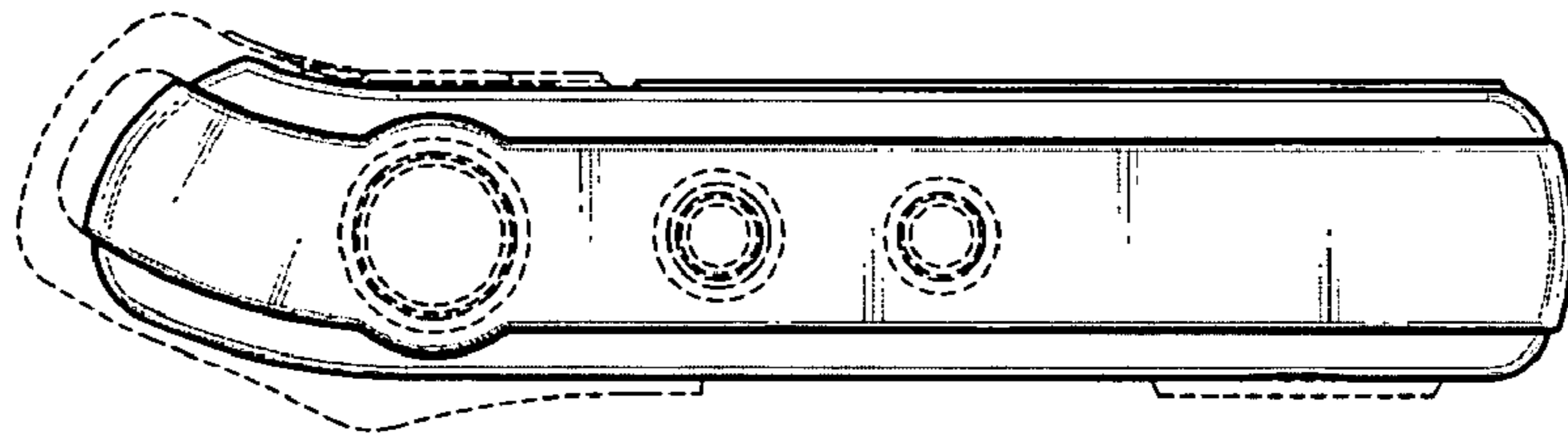


FIG. 7

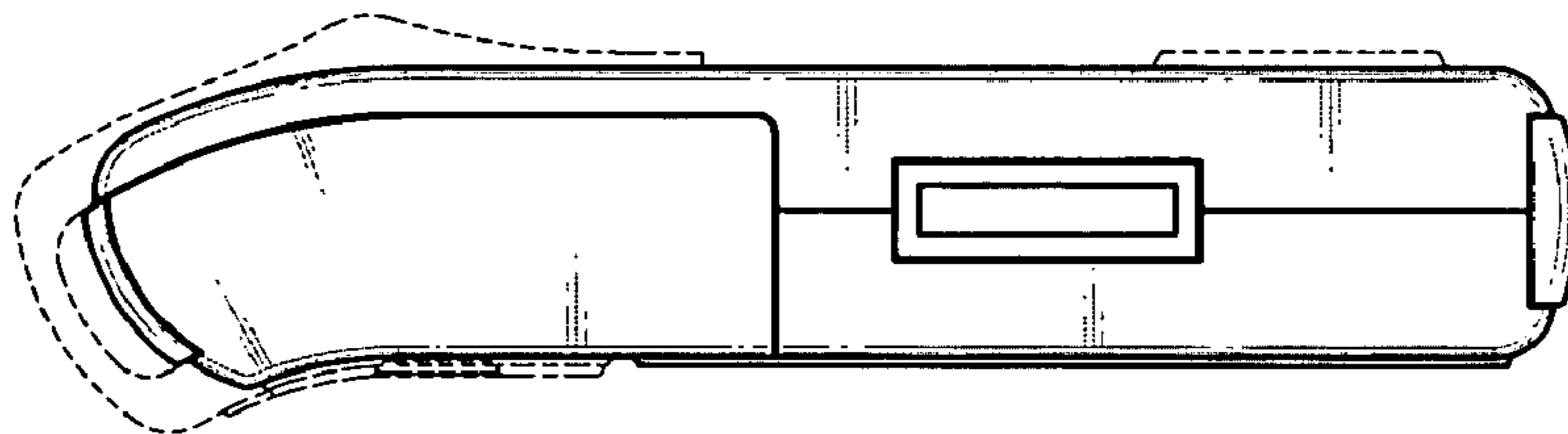


FIG. 8

