



US00D545336S

(12) **United States Design Patent**
Kawase

(10) **Patent No.:** **US D545,336 S**
(45) **Date of Patent:** **** Jun. 26, 2007**

- (54) **CAMERA**
- (75) Inventor: **Atsushi Kawase**, Tokyo (JP)
- (73) Assignee: **Sony Corporation**, Tokyo (JP)
- (**) Term: **14 Years**
- (21) Appl. No.: **29/214,467**
- (22) Filed: **Oct. 5, 2004**
- (51) **LOC (8) Cl.** **16-05**
- (52) **U.S. Cl.** **D16/219**
- (58) **Field of Classification Search** D16/200–205,
D16/208, 212, 218, 219; 348/373–376; 358/909.1;
396/535–541
See application file for complete search history.

(56) **References Cited**

U.S. PATENT DOCUMENTS

D355,432 S	2/1995	Oshima	
D372,723 S	8/1996	Schaefer et al.	
5,970,265 A	10/1999	Schelling	
D423,544 S	4/2000	Yamamoto et al.	
D444,489 S	7/2001	Suto et al.	
6,434,337 B1 *	8/2002	Misawa	358/909.1
D468,332 S	1/2003	Ito et al.	
D474,797 S	5/2003	Komatsu	
D475,071 S *	5/2003	Nagano	D16/202
D476,023 S	6/2003	Sumita	
D477,621 S	7/2003	Katayama	
D477,832 S	7/2003	Suzuki	
D496,678 S	9/2004	Kawase	
D500,774 S *	1/2005	Yuan	D16/202
D508,711 S *	8/2005	Suzuki	D16/218
D508,937 S *	8/2005	Sadatsuki	D16/218
D512,450 S *	12/2005	Jinde	D16/202

FOREIGN PATENT DOCUMENTS

JP	D1009651 S	5/1998
JP	D1010675 S	5/1998
JP	D1029970 S	1/1999
JP	D1030006 S	1/1999
JP	D1066047 S	4/2000

JP	D1066048 S	4/2000
JP	D1093746 S	12/2000
JP	D1162508 S	1/2003

OTHER PUBLICATIONS

Web page “Sony eCatalog, DSC-U20” <http://www.ecat.sony.co.jp/camera/dsc/products/index.cfm?PD=10557&KM=DSC-U20>, 1 sheet, Sony Marketing (Japan) Inc. (Aug. 2003).

Web page “DSC-U30” <http://www.ecat.sony.co.jp/camera/dsc/products/index.cfm?PD=14048&KM=SDC-U...>, 2 sheets, Sony Marketing (Japan) Inc. (Sep. 2003 at the latest).

Web page “DSC-U10” <http://www.ecat.sony.co.jp/camera/dsc/products/index.cfm?PD=8316&KM=DSC-U10>, 1 sheet, Sony (Sep. 2003 at the latest).

Web page “EX-S3 EXILIM” www.yodobashi.com, 1 sheet, Yodobashi Camera (Sep. 2004).

Web page “AXIA FA EPMEGA” www.yodobashi.com, 1 sheet, Yodobashi Camera (Sep. 2004).

* cited by examiner

Primary Examiner—Adir Aronovich
(74) *Attorney, Agent, or Firm*—Rader, Fishman & Grauer PLLC

(57) **CLAIM**

The ornamental design for a camera, as shown and described.

DESCRIPTION

FIG. 1 is a perspective view of a camera showing my new design;
 FIG. 2 is a front elevational view thereof;
 FIG. 3 is a left side elevational view thereof;
 FIG. 4 is a right side elevational view thereof;
 FIG. 5 is a top plan view thereof; and,
 FIG. 6 is a bottom plan view thereof.
 Portions of the figures that are shown as broken lines are for illustrative purpose only and form no part of the claimed design.

1 Claim, 4 Drawing Sheets

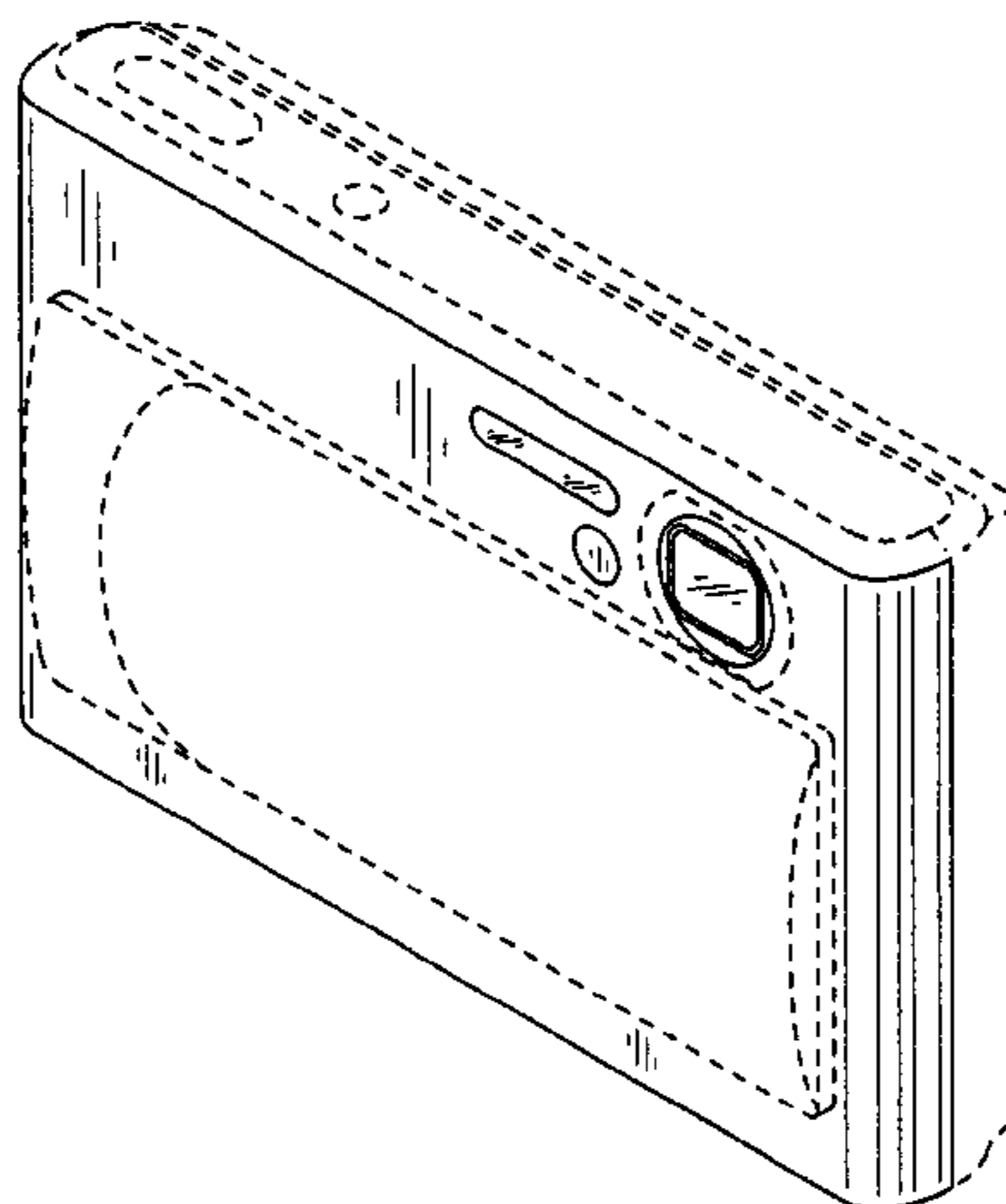


Fig. 1

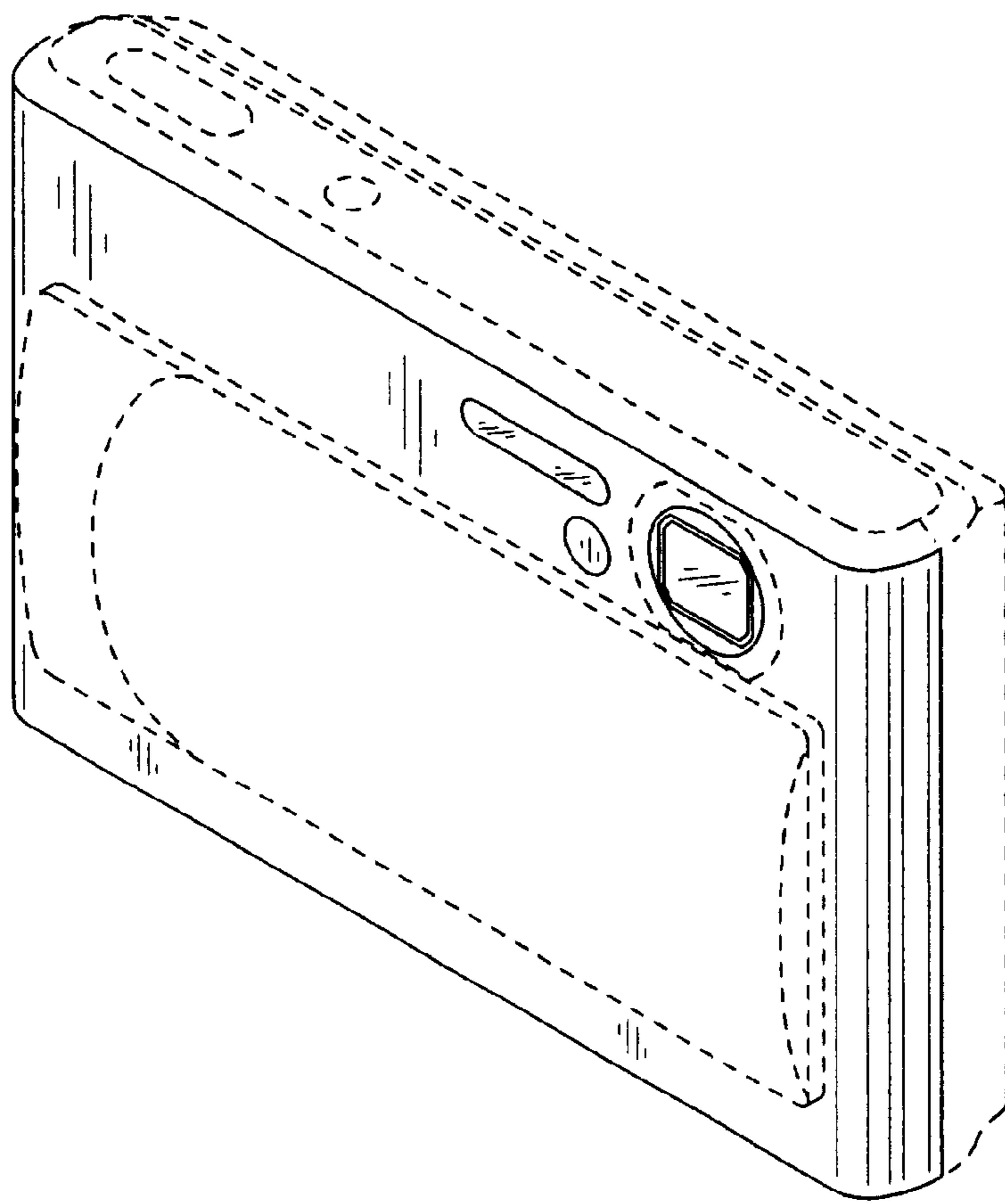


Fig.2

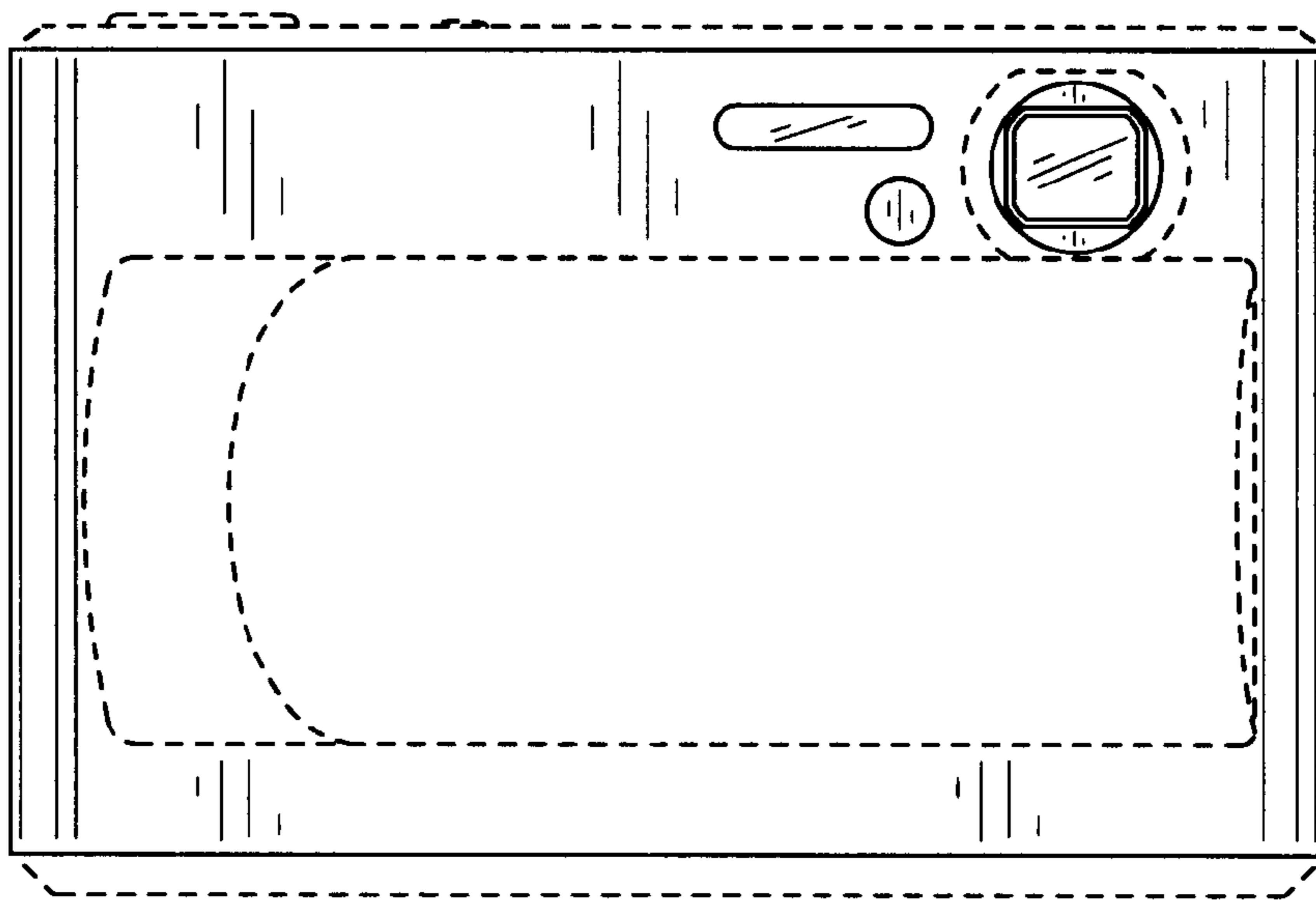


Fig.3

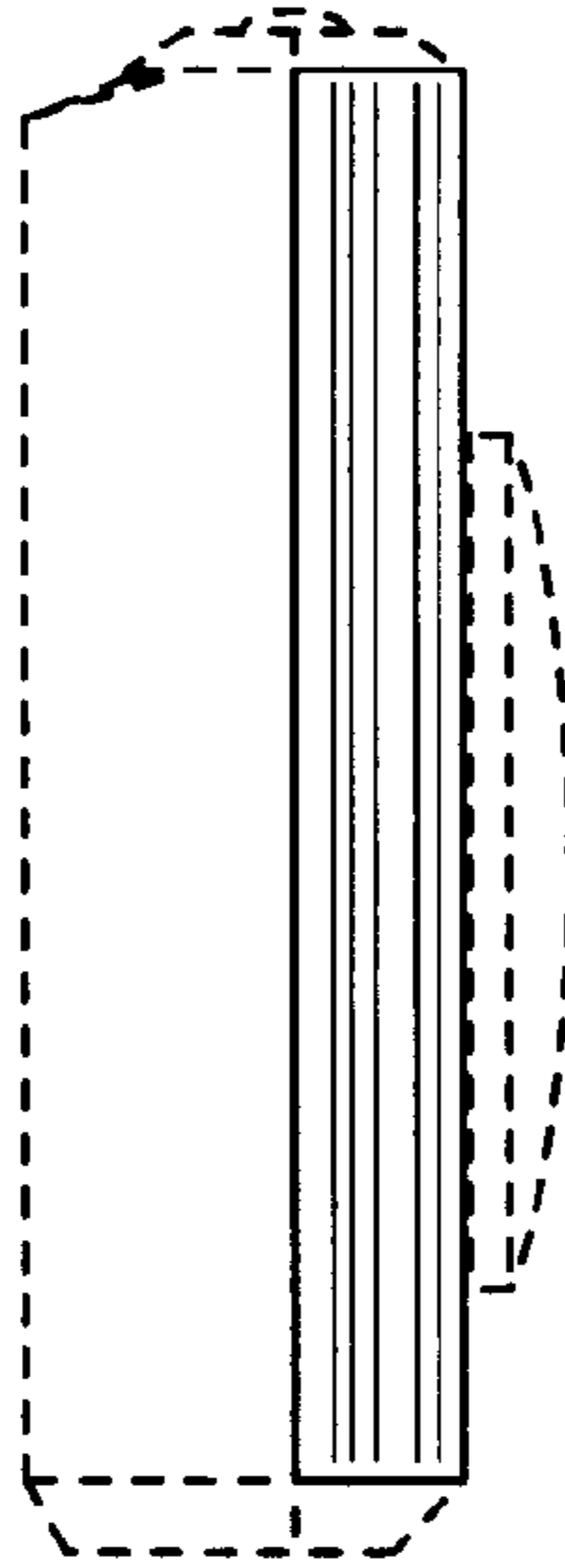


Fig.4

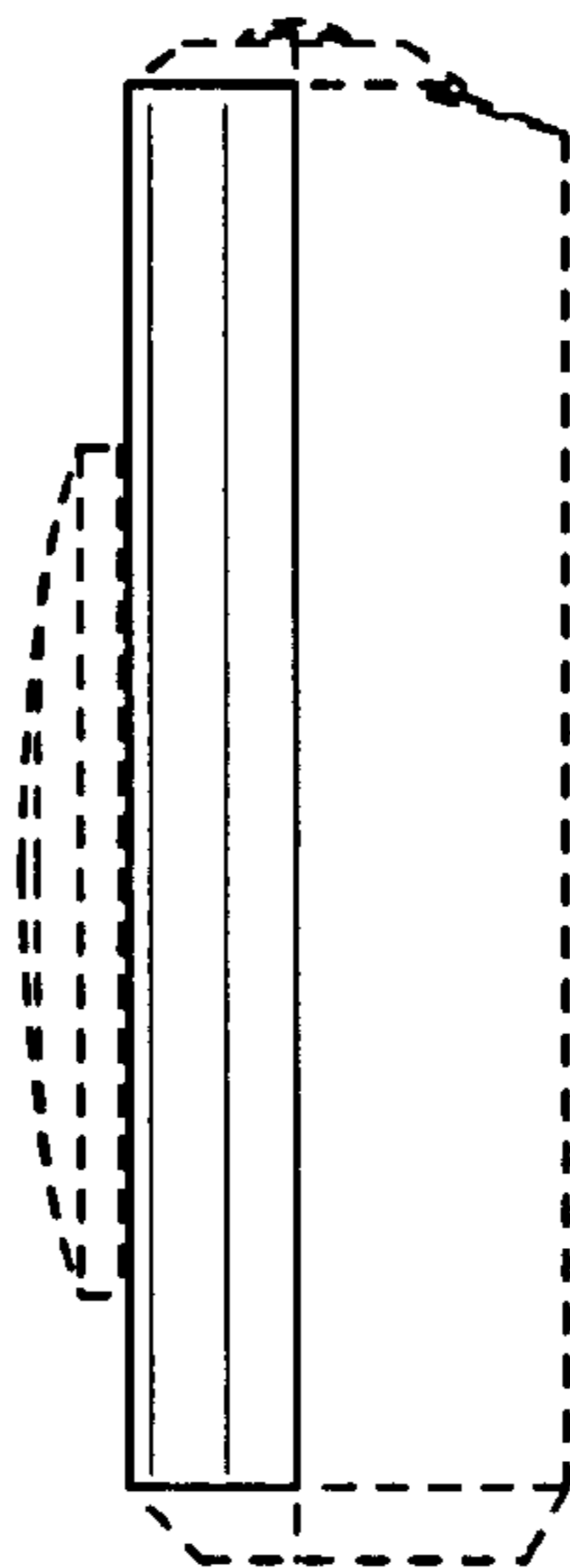


Fig.5

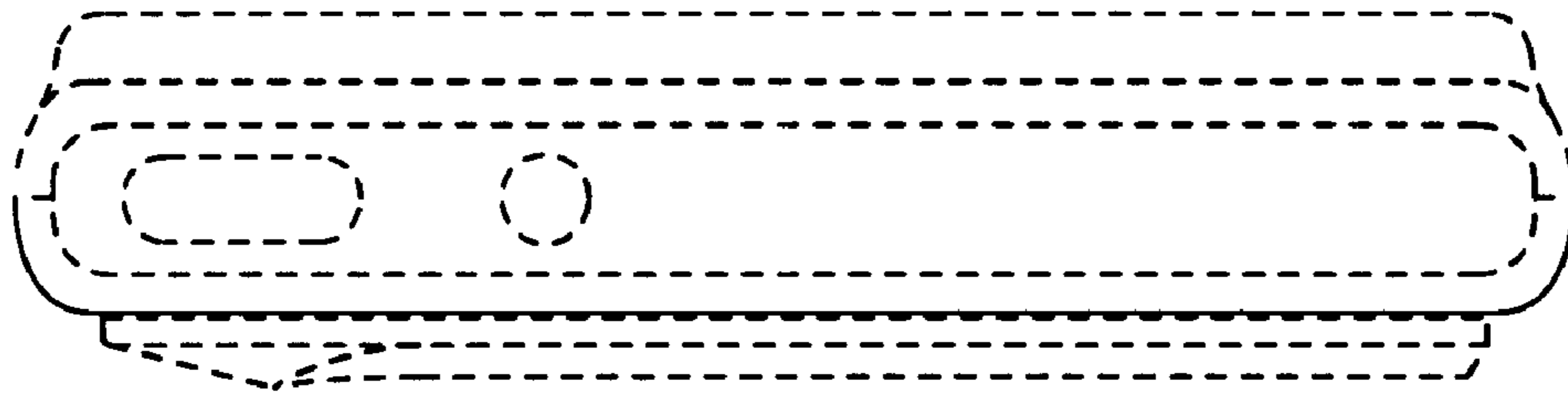


Fig.6

