

US00D545334S

(12) **United States Design Patent**
Kraft

(10) **Patent No.:** **US D545,334 S**

(45) **Date of Patent:** **** Jun. 26, 2007**

(54) **ROBOTIC MASTER CONTROLLER**

(75) Inventor: **Brett W. Kraft**, Prairie Village, KS
(US)

(73) Assignee: **Kraft Telebototics, Inc.**, Overland
Park, KS (US)

(**) Term: **14 Years**

(21) Appl. No.: **29/260,690**

(22) Filed: **May 31, 2006**

(51) **LOC (8) Cl.** **15-99**

(52) **U.S. Cl.** **D15/199**

(58) **Field of Classification Search** D15/199;
74/490.01, 490.02, 490.03, 490.05; 219/124.34,
219/639; 318/560; 700/99, 150

See application file for complete search history.

(56) **References Cited**

U.S. PATENT DOCUMENTS

D269,681	S	*	7/1983	Morser et al.	D15/199
D279,572	S	*	7/1985	Yasuoka et al.	D15/199
4,648,782	A		3/1987	Kraft		
4,693,663	A	*	9/1987	Brenholt et al.	D15/199
5,016,489	A	*	5/1991	Yoda	74/490.03
5,019,761	A		5/1991	Kraft		
D334,581	S	*	4/1993	Yoshikawa et al.	D15/199
D344,280	S	*	2/1994	Koyama et al.	D15/199

5,375,480	A	*	12/1994	Nihei et al.	74/490.02
D461,484	S		8/2002	Kraft		
D478,921	S	*	8/2003	Kullborg et al.	D15/199
2005/0092122	A1	*	5/2005	Markert et al.	74/490.01
2005/0126327	A1	*	6/2005	Markert et al.	74/490.02
2005/0204850	A1	*	9/2005	Nihei et al.	74/490.01

* cited by examiner

Primary Examiner—Antoine D. Davis

Assistant Examiner—Patricia Palasik

(74) *Attorney, Agent, or Firm*—John C. McMahon

(57) **CLAIM**

The ornamental design for a robotic master controller, as shown and described.

DESCRIPTION

FIG. 1 is a perspective view of a master controller in accordance with the present invention;

FIG. 2 is a first side elevational view thereof;

FIG. 3 is a second side elevational view thereof;

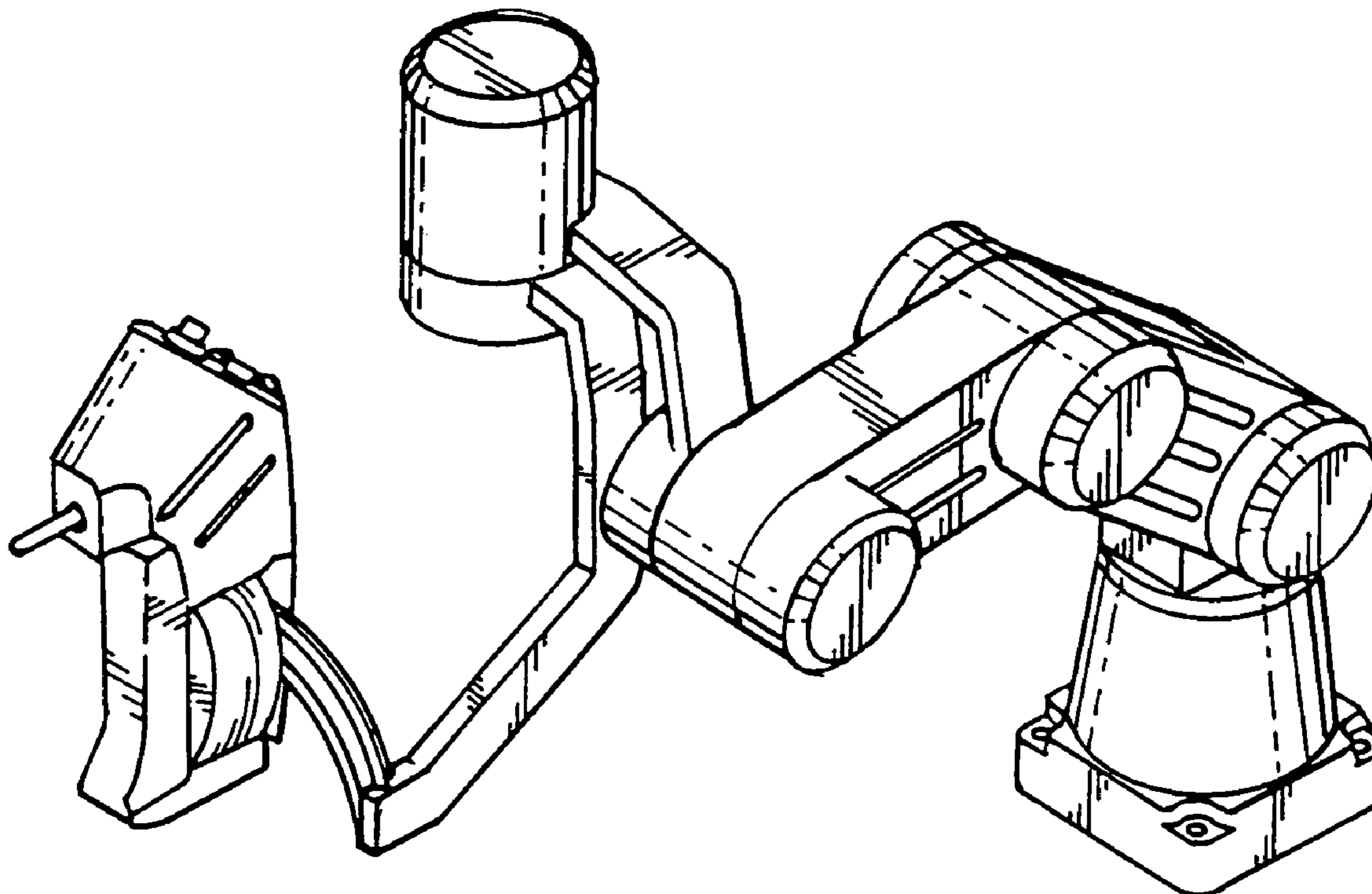
FIG. 4 is a top plan view thereof;

FIG. 5 is a bottom plan view thereof;

FIG. 6 is a front elevational view thereof; and,

FIG. 7 is a rear elevational view thereof.

1 Claim, 4 Drawing Sheets



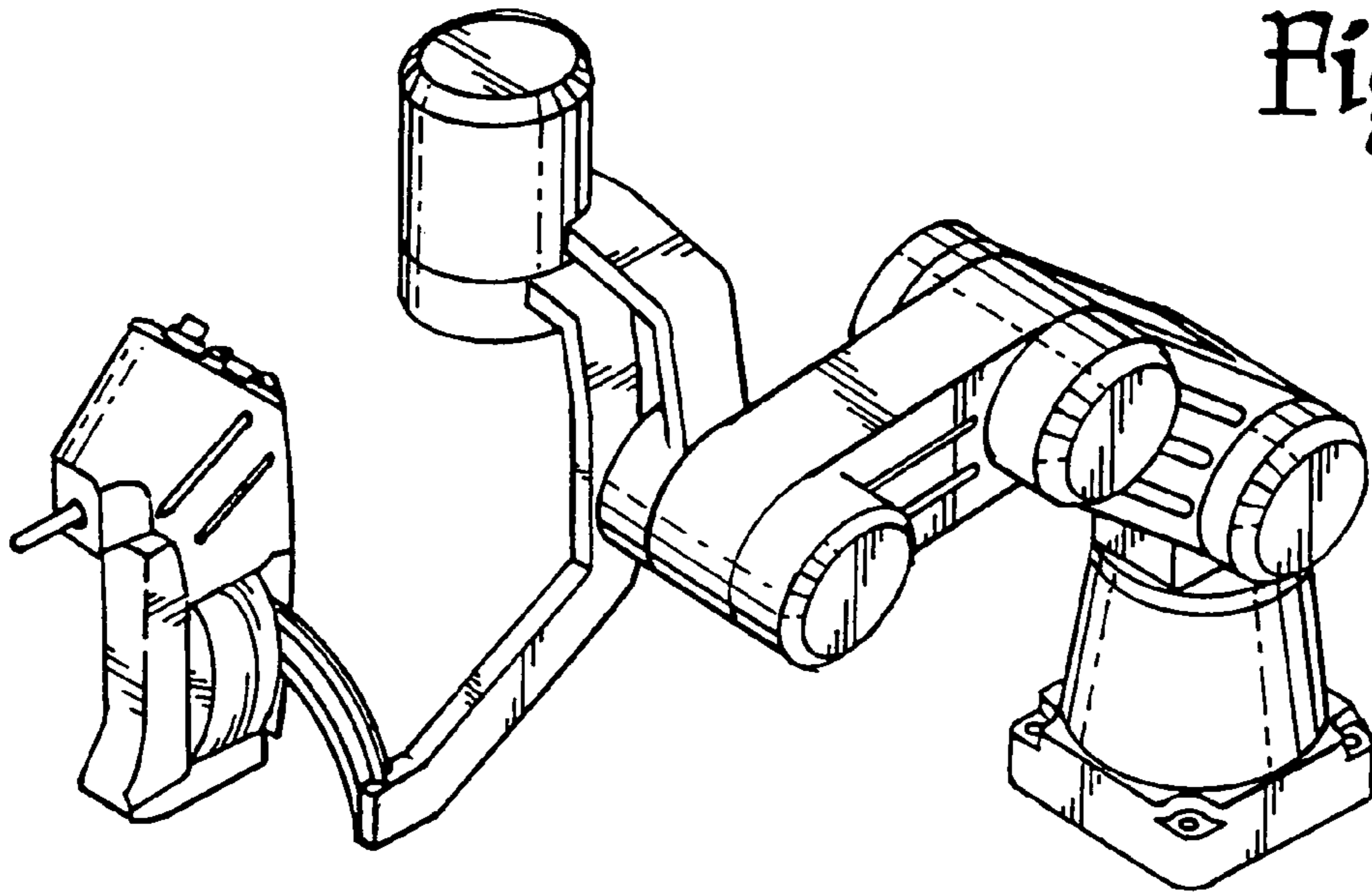


Fig. 1.

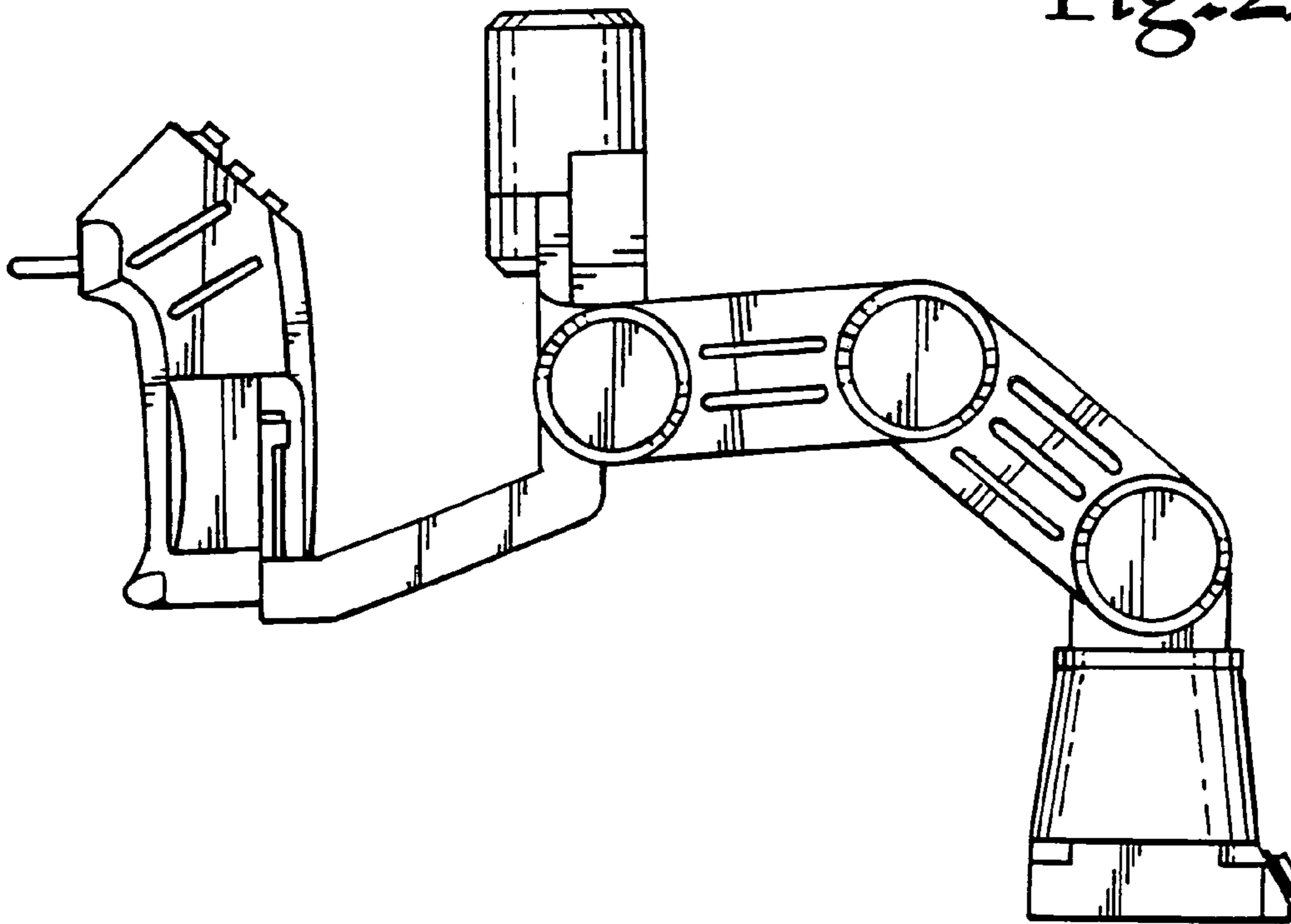


Fig. 2.

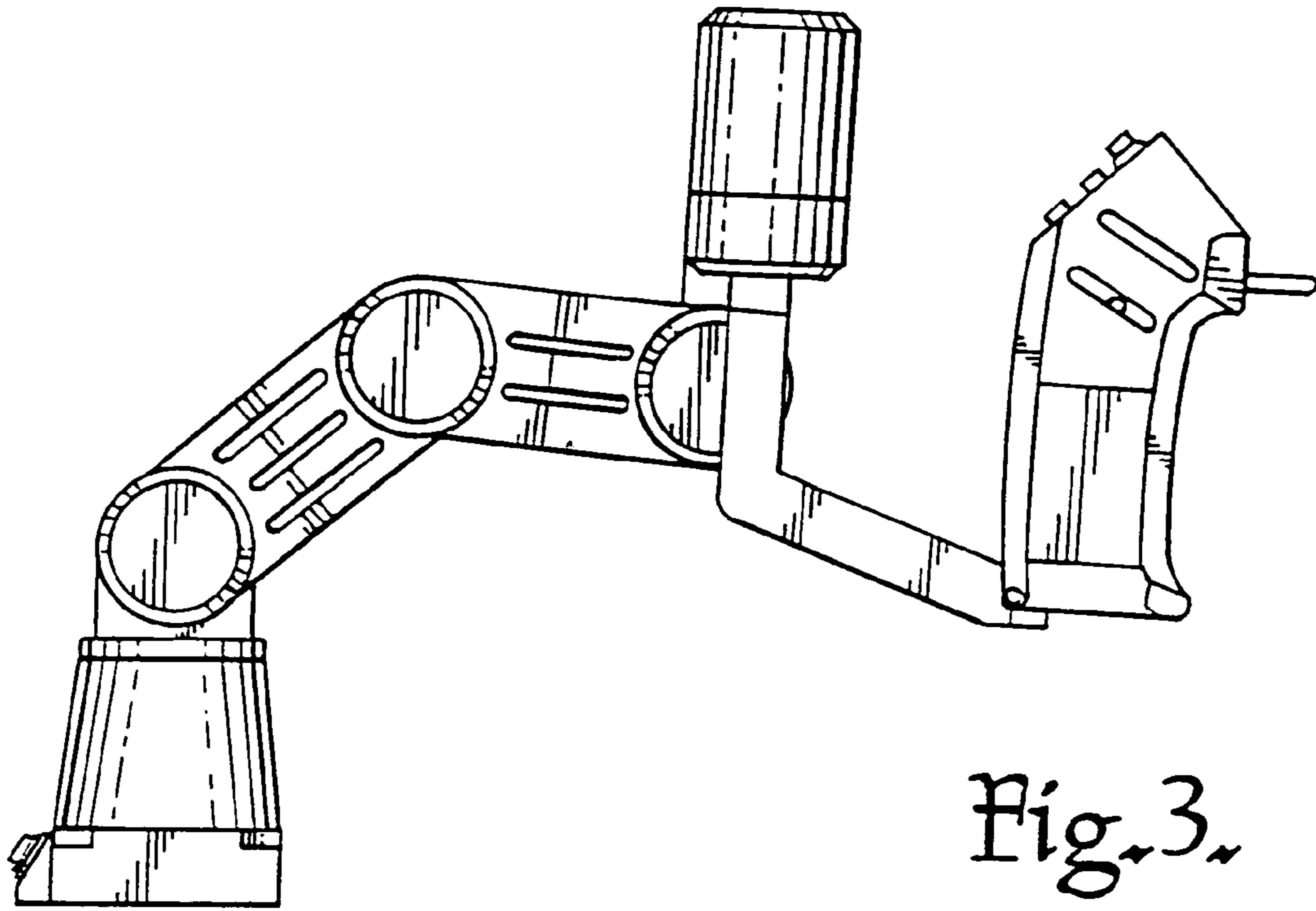


Fig. 3.

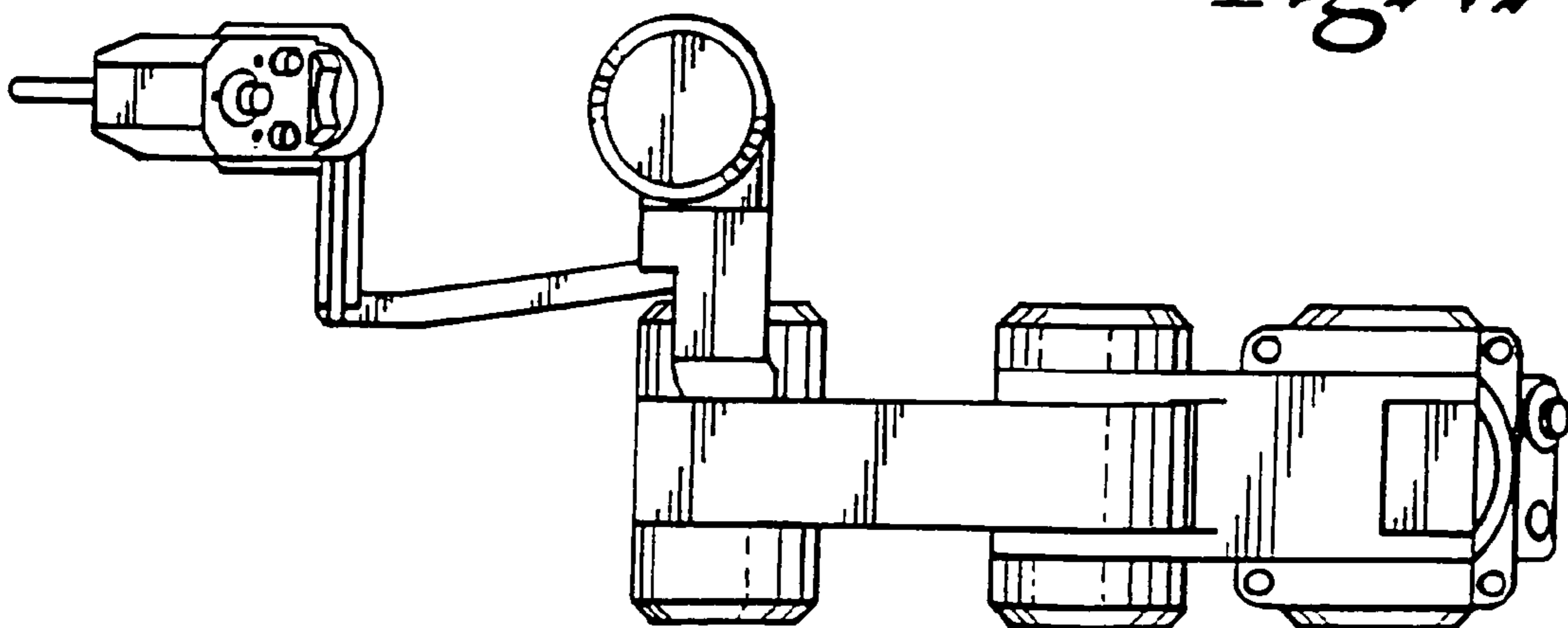


Fig. 4.

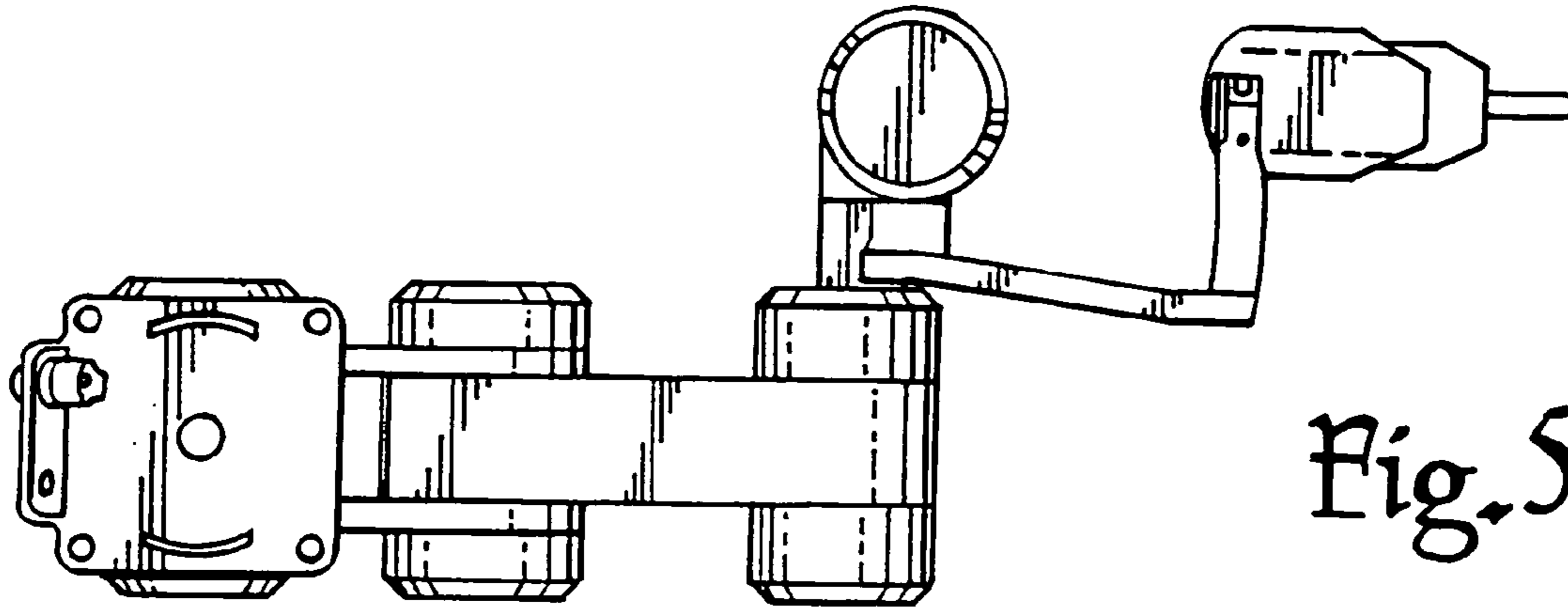


Fig. 5.

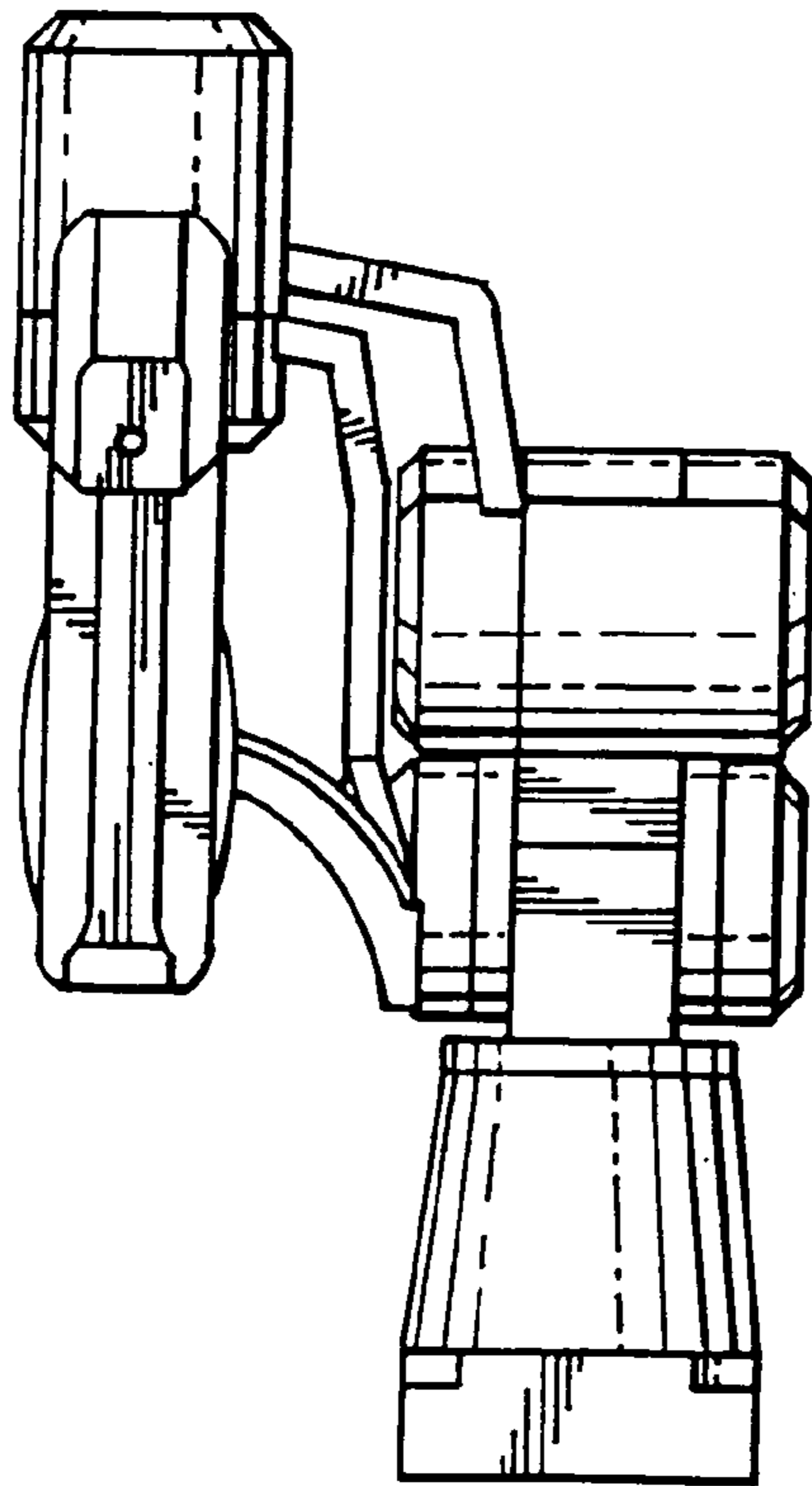


Fig. 6.

Fig. 7.

