

US00D545331S

(12) **United States Design Patent** (10) **Patent No.:** **US D545,331 S**  
**Lee** (45) **Date of Patent:** **\*\* Jun. 26, 2007**

(54) **ROLLING MACHINE FOR PAPER ARTS**

(76) Inventor: **Chia Shun Lee**, No. 361-1, Dongyong St., Bade City, Taoyuan County (TW) 334

(\*\*) Term: **14 Years**

(21) Appl. No.: **29/234,618**

(22) Filed: **Jul. 21, 2005**

(51) **LOC (8) Cl.** ..... **15-09**

(52) **U.S. Cl.** ..... **D15/136**

(58) **Field of Classification Search** ..... D15/123, D15/128, 135, 136; 100/39, 83, 176, 233, 100/245, 282, 327, 918; 101/22, 28, 120, 101/127.1, 244, 336; 156/495, 522, 542, 156/555-556, 579, DIG. 2, DIG. 27, DIG. 33, 156/DIG. 39, DIG. 42, DIG. 48; 242/156, 242/419.9; 452/142

See application file for complete search history.

(56) **References Cited**

**U.S. PATENT DOCUMENTS**

|           |     |         |                     |       |            |
|-----------|-----|---------|---------------------|-------|------------|
| 1,454,362 | A   | 5/1923  | Winchenbaugh et al. | ..... | 118/44     |
| 1,660,978 | A   | 2/1928  | Speed               | ..... | 101/23     |
| 1,950,726 | A * | 3/1934  | Graybill            | ..... | 72/398     |
| 2,111,057 | A   | 3/1938  | Swanson             | ..... | 234/25     |
| 2,123,703 | A   | 7/1938  | Loose et al.        | ..... | 99/450.2   |
| D110,803  | S   | 8/1938  | Ditty               | ..... | D18/14     |
| 2,164,806 | A * | 7/1939  | Eickman             | ..... | 83/205     |
| 2,175,337 | A   | 10/1939 | Russell             | ..... | 101/23     |
| D119,625  | S   | 3/1940  | Kropp               | ..... | D18/14     |
| D165,332  | S   | 12/1951 | Hayer               | ..... | D18/14     |
| 2,845,864 | A   | 8/1958  | Davidson            | ..... | 101/350.1  |
| 3,159,370 | A   | 12/1964 | Rubinstein          | ..... | 248/346.01 |
| 3,264,978 | A * | 8/1966  | Staley              | ..... | 101/28     |
| 4,081,145 | A   | 3/1978  | Moe et al.          | ..... | 241/93     |

|              |      |         |                 |       |           |
|--------------|------|---------|-----------------|-------|-----------|
| 5,584,962    | A *  | 12/1996 | Bradshaw et al. | ..... | 156/522   |
| 5,647,260    | A    | 7/1997  | Nabity          | ..... | 83/522.12 |
| 5,961,779    | A    | 10/1999 | Bradshaw        | ..... | 156/495   |
| 6,220,136    | B1   | 4/2001  | Benes et al.    | ..... | 83/566    |
| RE37,345     | E *  | 9/2001  | Bradshaw et al. | ..... | 156/495   |
| 6,843,296    | B2 * | 1/2005  | Lemens et al.   | ..... | 156/555   |
| D508,701     | S *  | 8/2005  | Corcoran et al. | ..... | D15/123   |
| 7,104,304    | B2 * | 9/2006  | Ensign et al.   | ..... | 156/555   |
| 2003/0098123 | A1 * | 5/2003  | Miller          | ..... | 156/555   |
| 2005/0253324 | A1   | 11/2005 | Corcoran et al. | ..... | 271/15    |
| 2006/0172030 | A1   | 8/2006  | Lee             | ..... | 425/363   |

**FOREIGN PATENT DOCUMENTS**

GB 2067120 7/1981

\* cited by examiner

*Primary Examiner*—Antoine D. Davis

*Assistant Examiner*—Patricia Palasik

(74) *Attorney, Agent, or Firm*—Alan Kamrath; Kamrath & Associates PA

(57) **CLAIM**

The ornamental design for a rolling machine for paper arts, as shown and described.

**DESCRIPTION**

FIG. 1 is a perspective view of a rolling machine for paper arts;

FIG. 2 is a front view thereof;

FIG. 3 is a back view thereof;

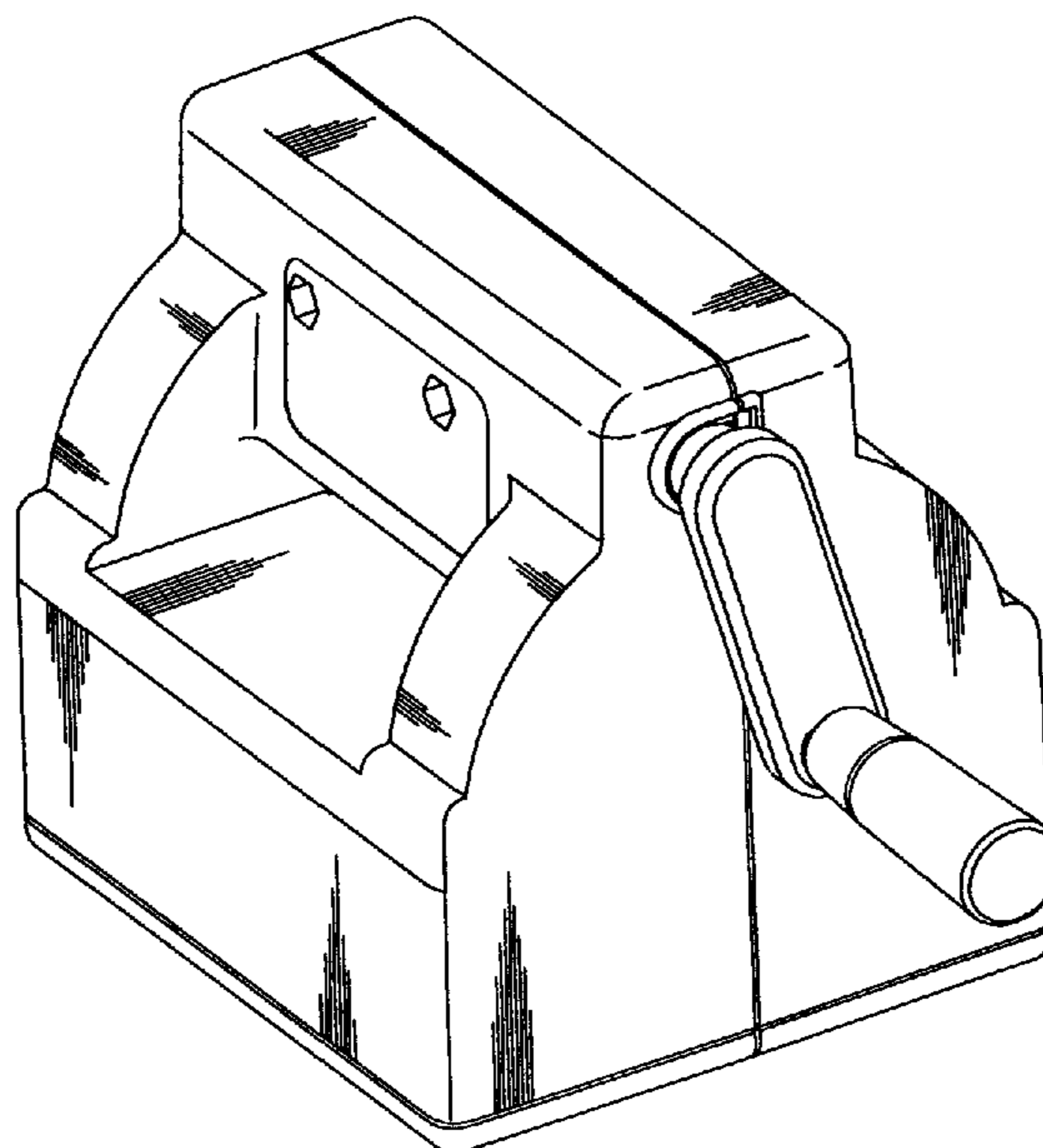
FIG. 4 is a left side view thereof;

FIG. 5 is a right side view thereof;

FIG. 6 is a top view thereof; and,

FIG. 7 is a bottom view thereof.

**1 Claim, 7 Drawing Sheets**



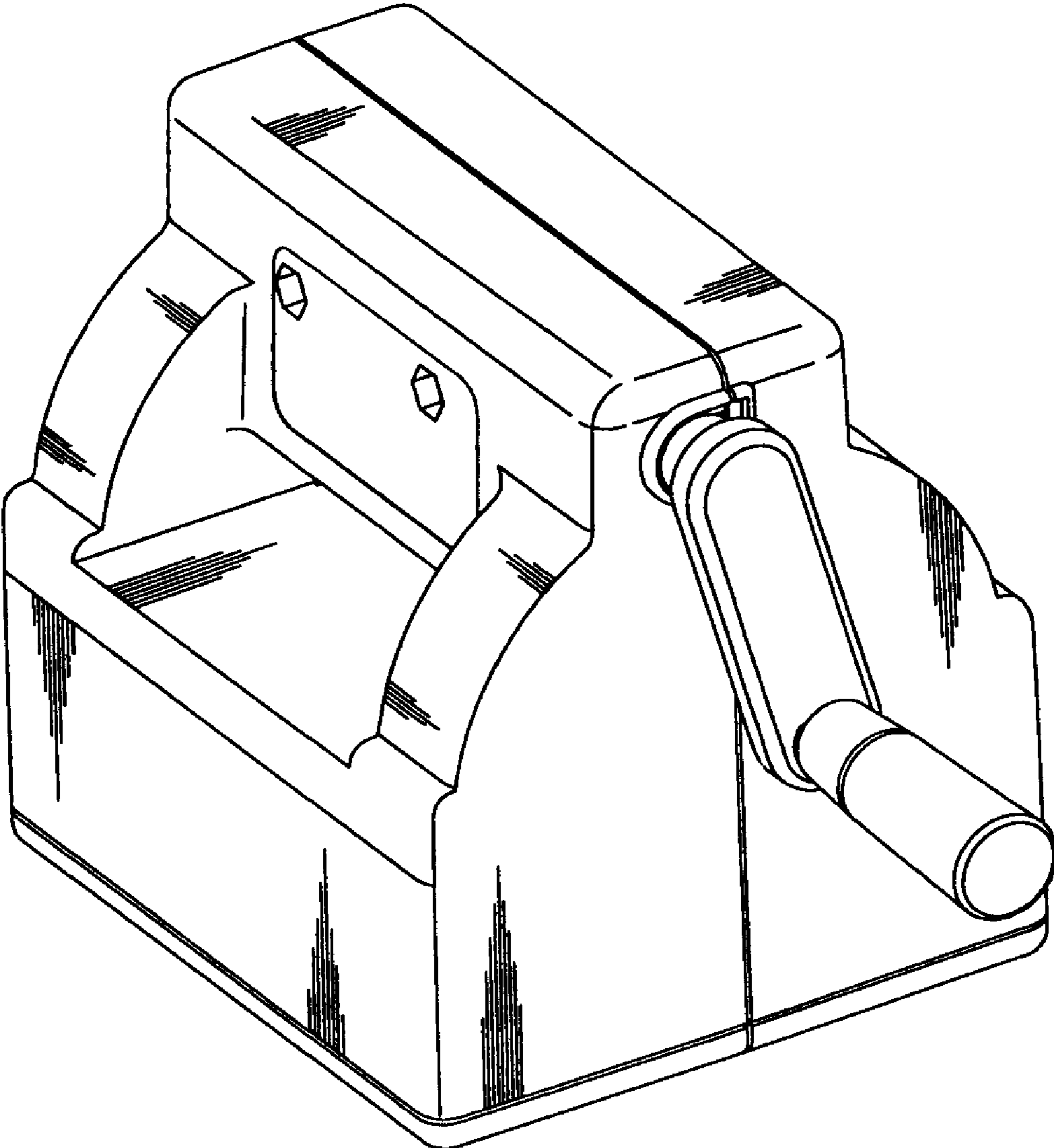


FIG. 1

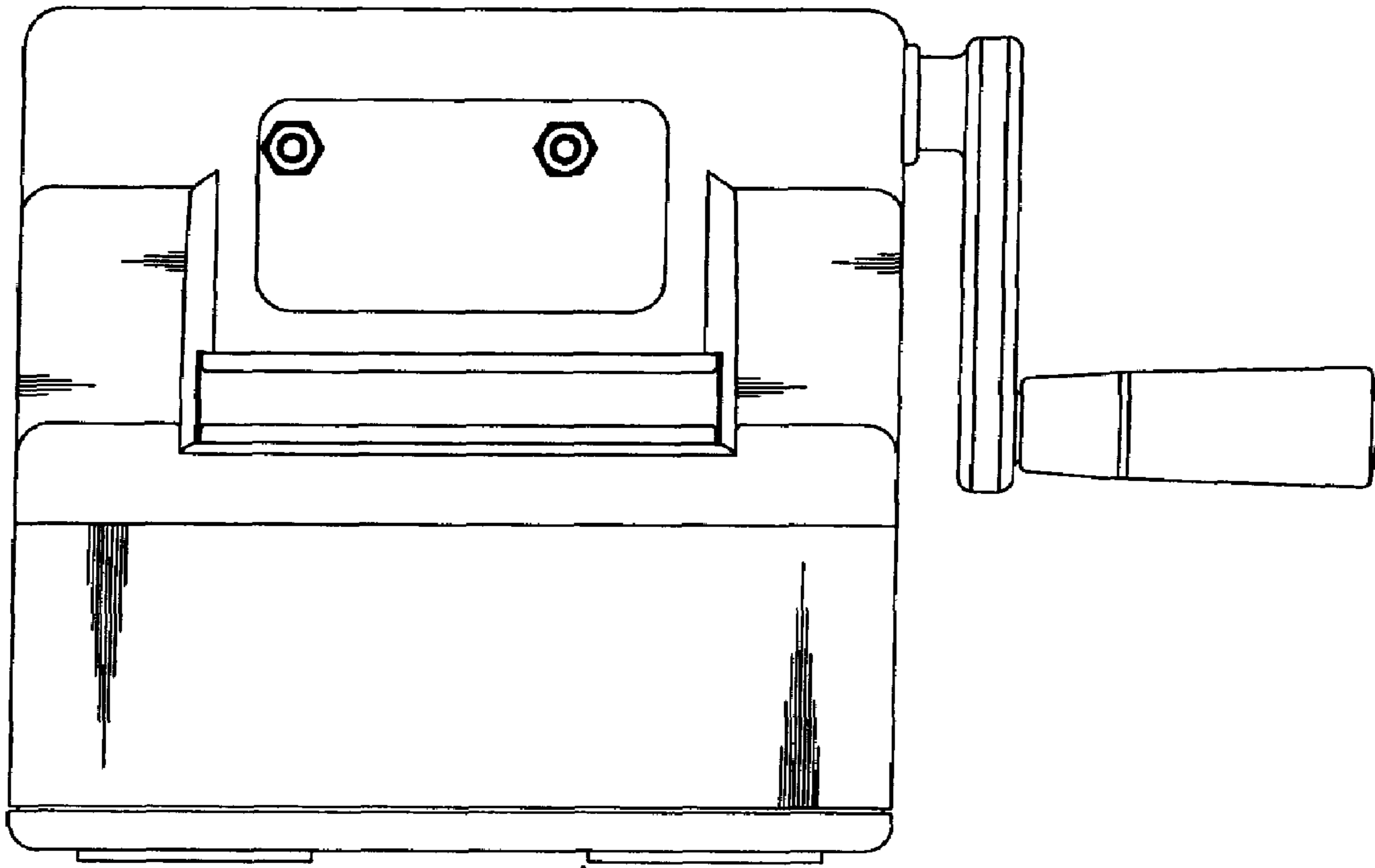


FIG.2

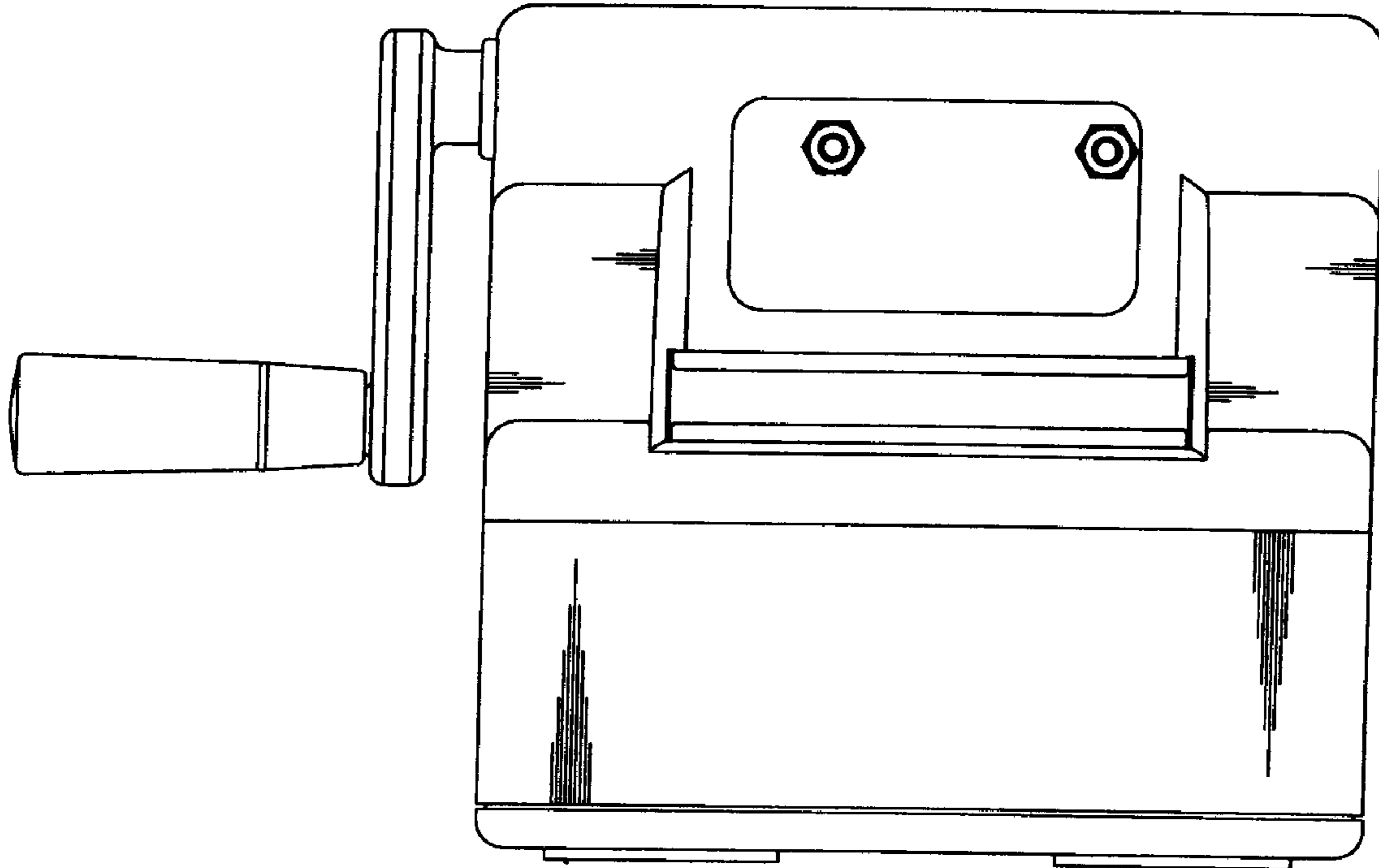


FIG. 3



FIG.4

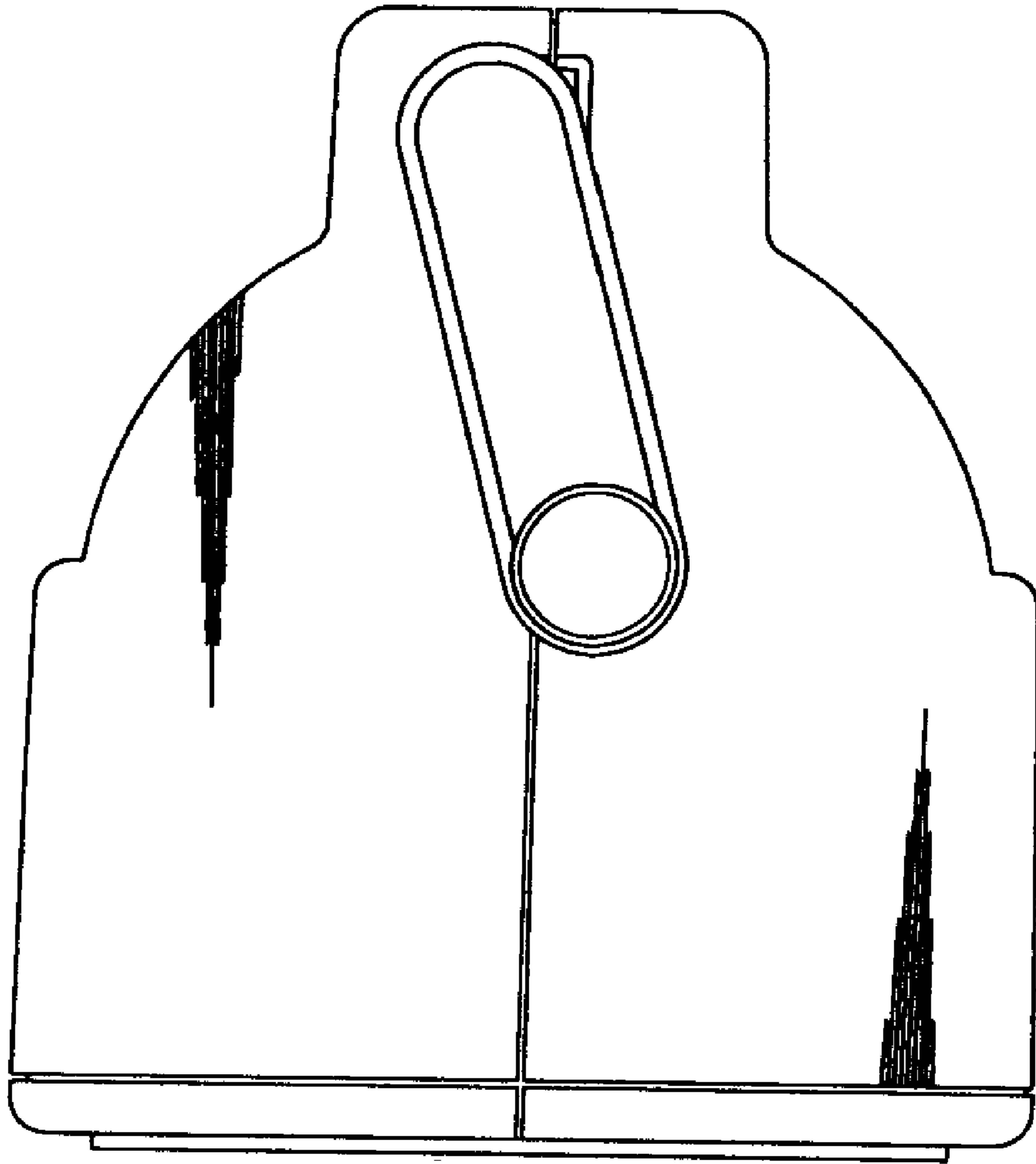


FIG. 5

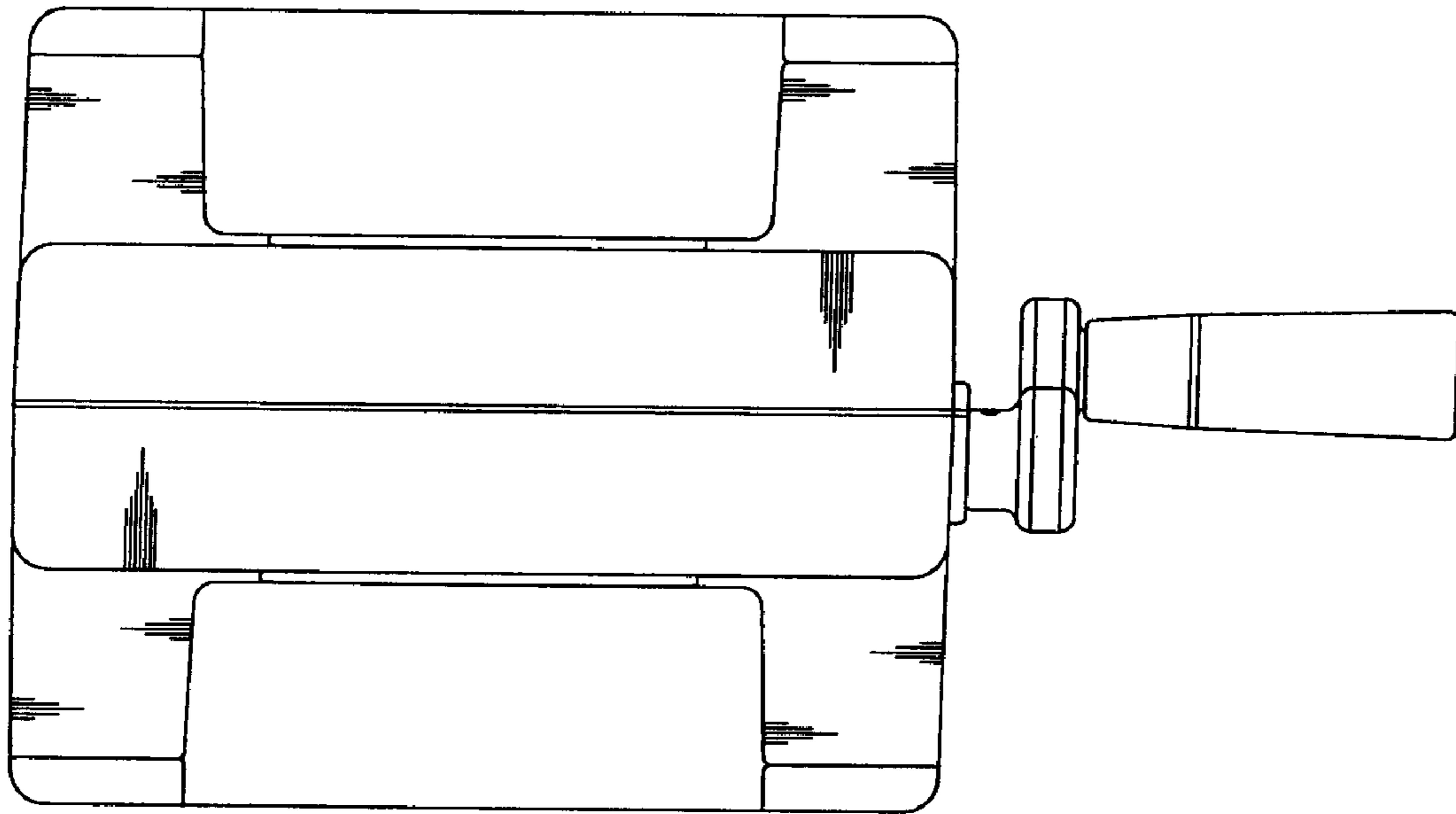


FIG.6

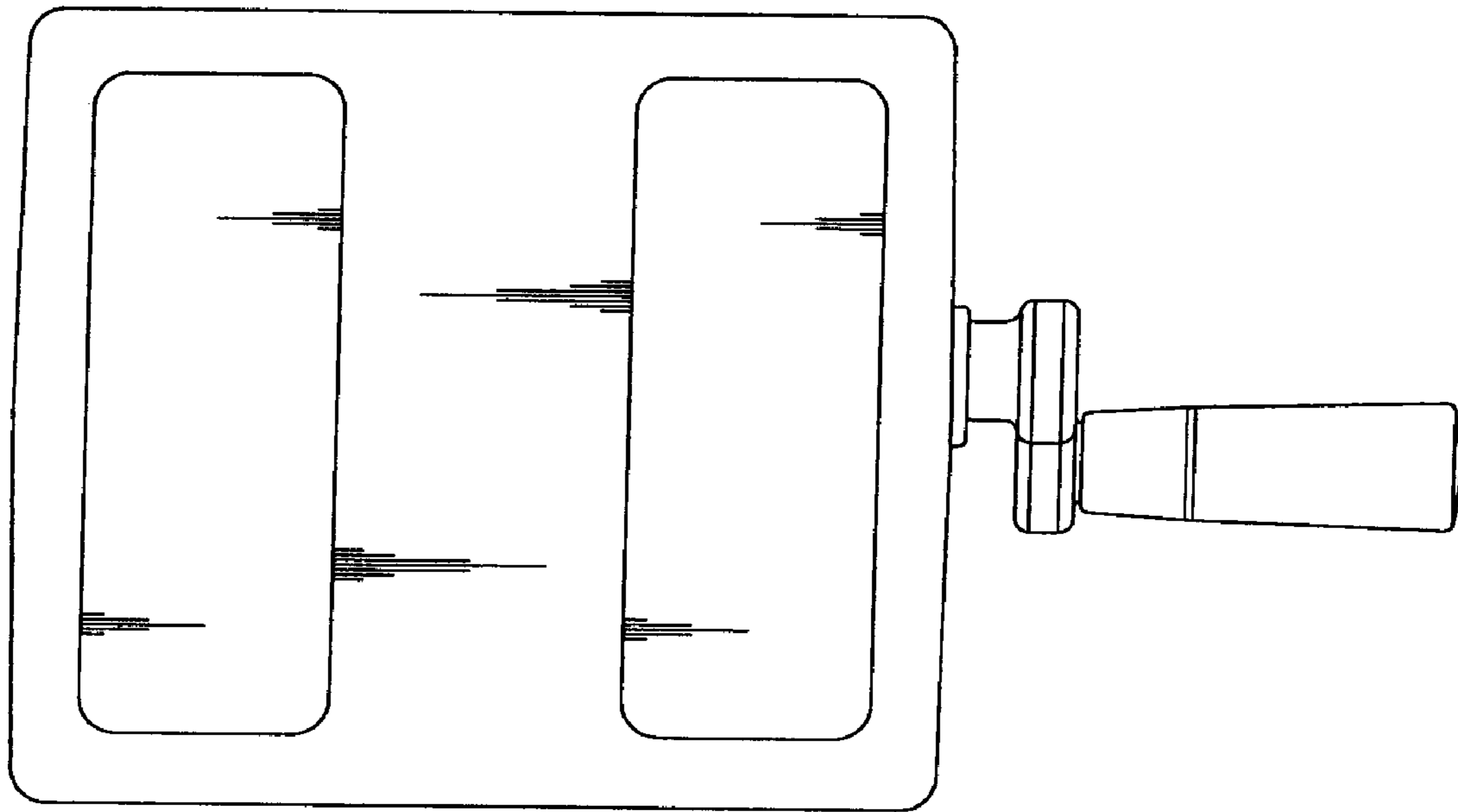


FIG. 7