

US00D545330S

(12) **United States Design Patent**  
**DiPasquale et al.**

(10) **Patent No.:** **US D545,330 S**

(45) **Date of Patent:** **\*\* Jun. 26, 2007**

(54) **TABLE SAW**

(75) Inventors: **Kathy E. DiPasquale**, Baltimore, MD (US); **Robert P. Welsh**, Phoenix, MD (US)

(73) Assignee: **Black & Decker Inc.**, Newark, DE (US)

(\*\*) Term: **14 Years**

(21) Appl. No.: **29/249,985**

(22) Filed: **Oct. 30, 2006**

(51) **LOC (8) Cl.** ..... **15-09**

(52) **U.S. Cl.** ..... **D15/133**

(58) **Field of Classification Search** ..... D15/133;  
83/432, 435, 477.2, 478, 522.1, 522.3; 269/166,  
269/180, 318

See application file for complete search history.

(56) **References Cited**

**U.S. PATENT DOCUMENTS**

5,174,349	A *	12/1992	Svetlik et al.	.....	144/286.5
D411,090	S *	6/1999	Chang	.....	D8/66
D425,529	S *	5/2000	Svetlik	.....	D15/133
D437,605	S *	2/2001	Schoene et al.	.....	D15/133
D442,190	S *	5/2001	Chen	.....	D15/133
D458,281	S *	6/2002	Ceroll et al.	.....	D15/133
D458,947	S *	6/2002	Svetlik et al.	.....	D15/133
D461,833	S *	8/2002	Gist et al.	.....	D15/133
D512,447	S *	12/2005	Scholz	.....	D15/133
6,986,370	B1 *	1/2006	Schoene et al.	.....	144/287
D528,571	S *	9/2006	Welsh	.....	D15/133

2006/0144203 A1\* 7/2006 Behne et al. .... 83/446

\* cited by examiner

*Primary Examiner*—Antoine D. Davis

*Assistant Examiner*—Patricia Palasik

(74) *Attorney, Agent, or Firm*—Adan Ayala

(57) **CLAIM**

The ornamental design for a table saw, as shown and described.

**DESCRIPTION**

FIG. 1 is a perspective view of a first embodiment of a table saw according to the invention.

FIG. 2 is a front elevational of the first embodiment.

FIG. 3 is a rear elevational view of the first embodiment.

FIG. 4 is a right side view of the first embodiment.

FIG. 5 is a left side view of the first embodiment.

FIG. 6 is a top plan view of the first embodiment.

FIG. 7 is a bottom plan view of the first embodiment.

FIG. 8 is a perspective view of a second embodiment of a table saw according to the invention.

FIG. 9 is a front elevational of the second embodiment.

FIG. 10 is a rear elevational view of the second embodiment.

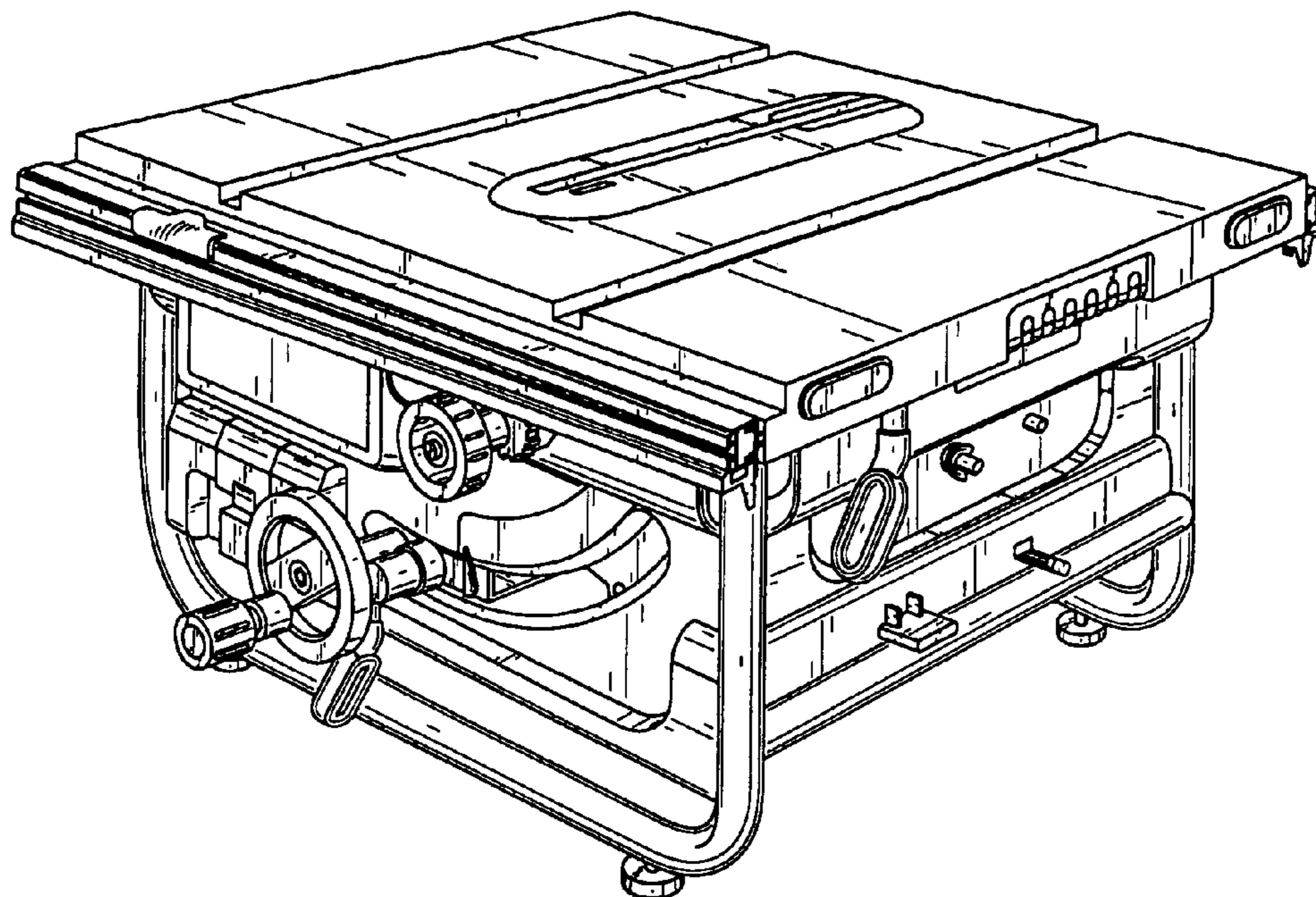
FIG. 11 is a right side view of the second embodiment.

FIG. 12 is a left side view of the second embodiment.

FIG. 13 is a top plan view of the second embodiment; and,

FIG. 14 is a bottom plan view of the second embodiment.

**1 Claim, 10 Drawing Sheets**



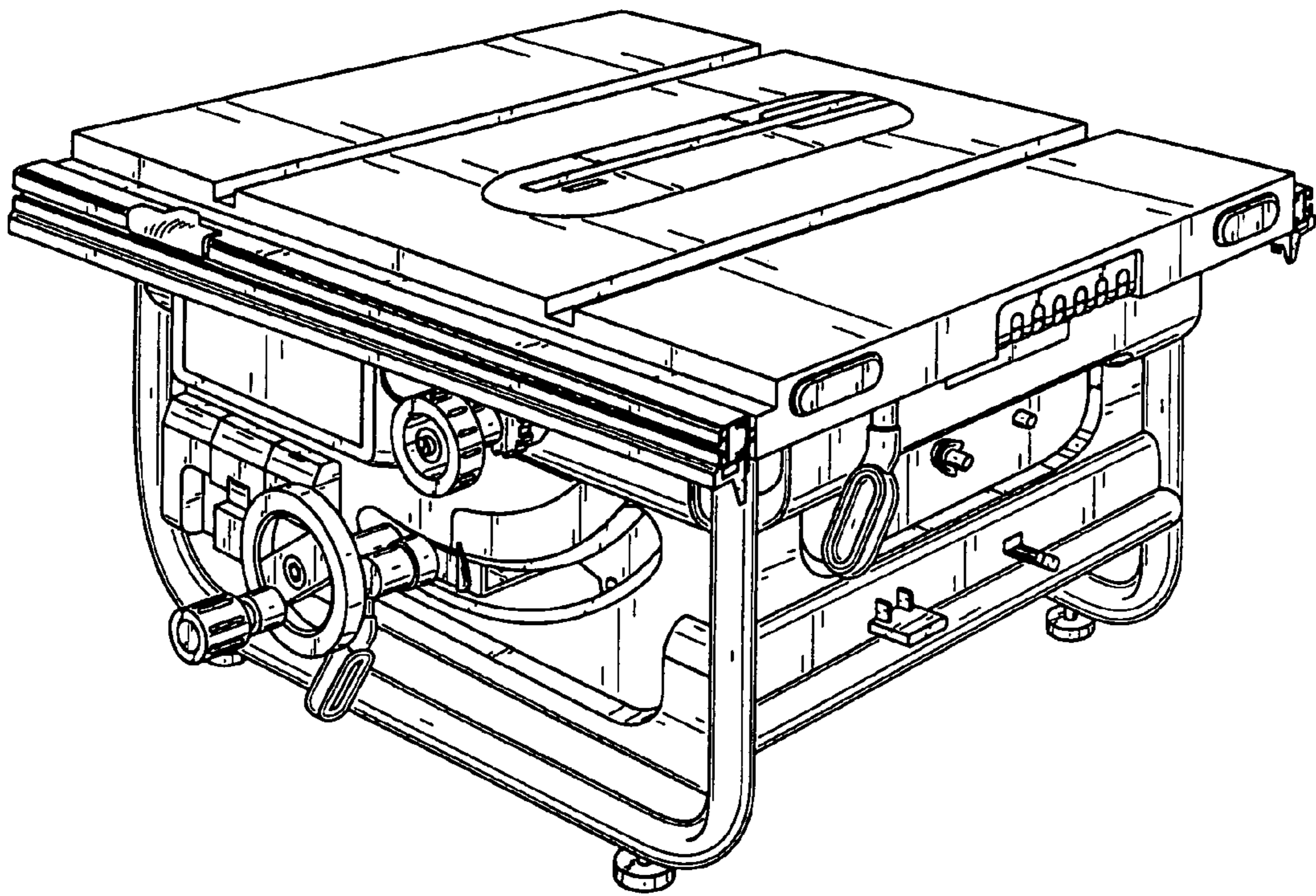


FIG. 1

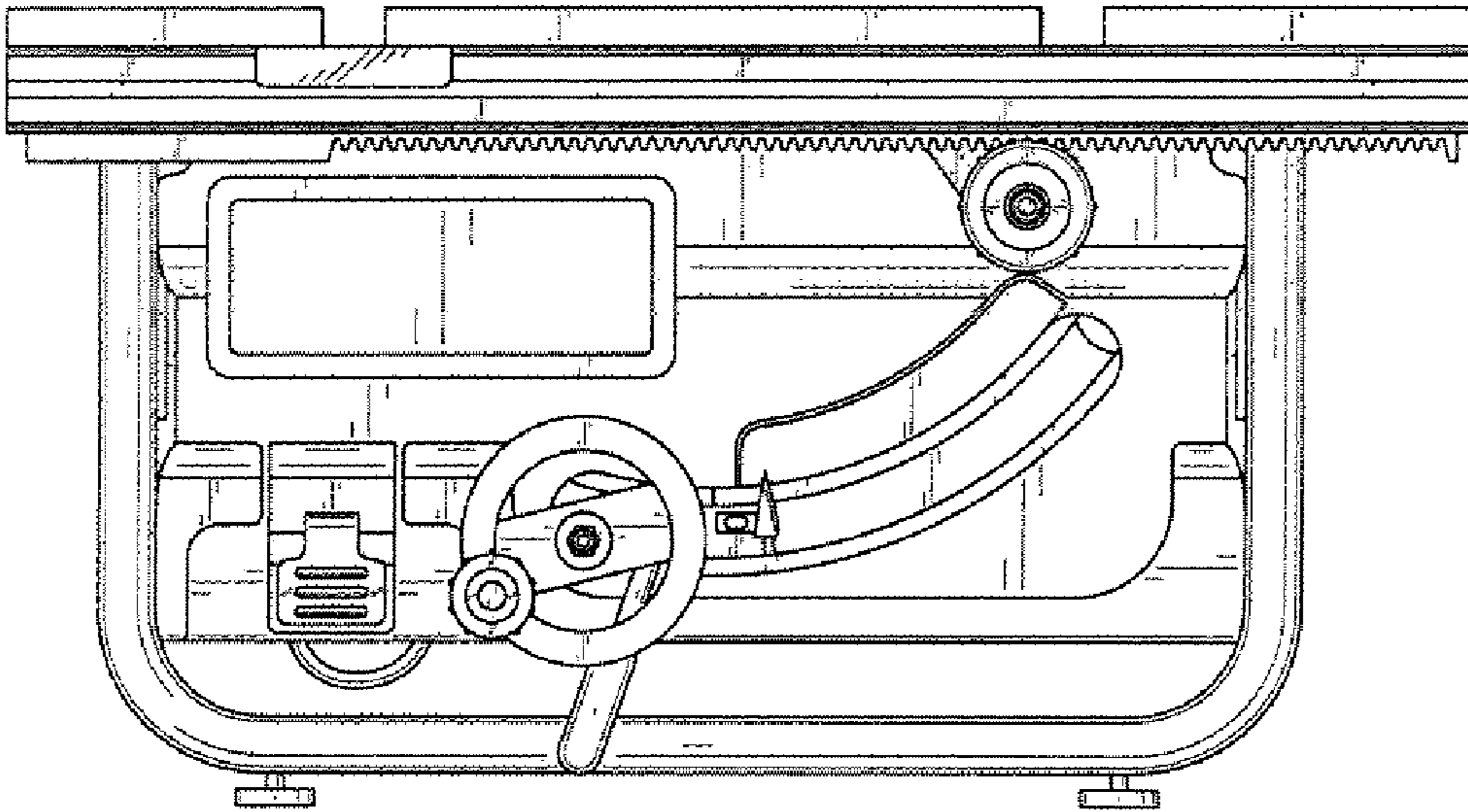


FIG. 2

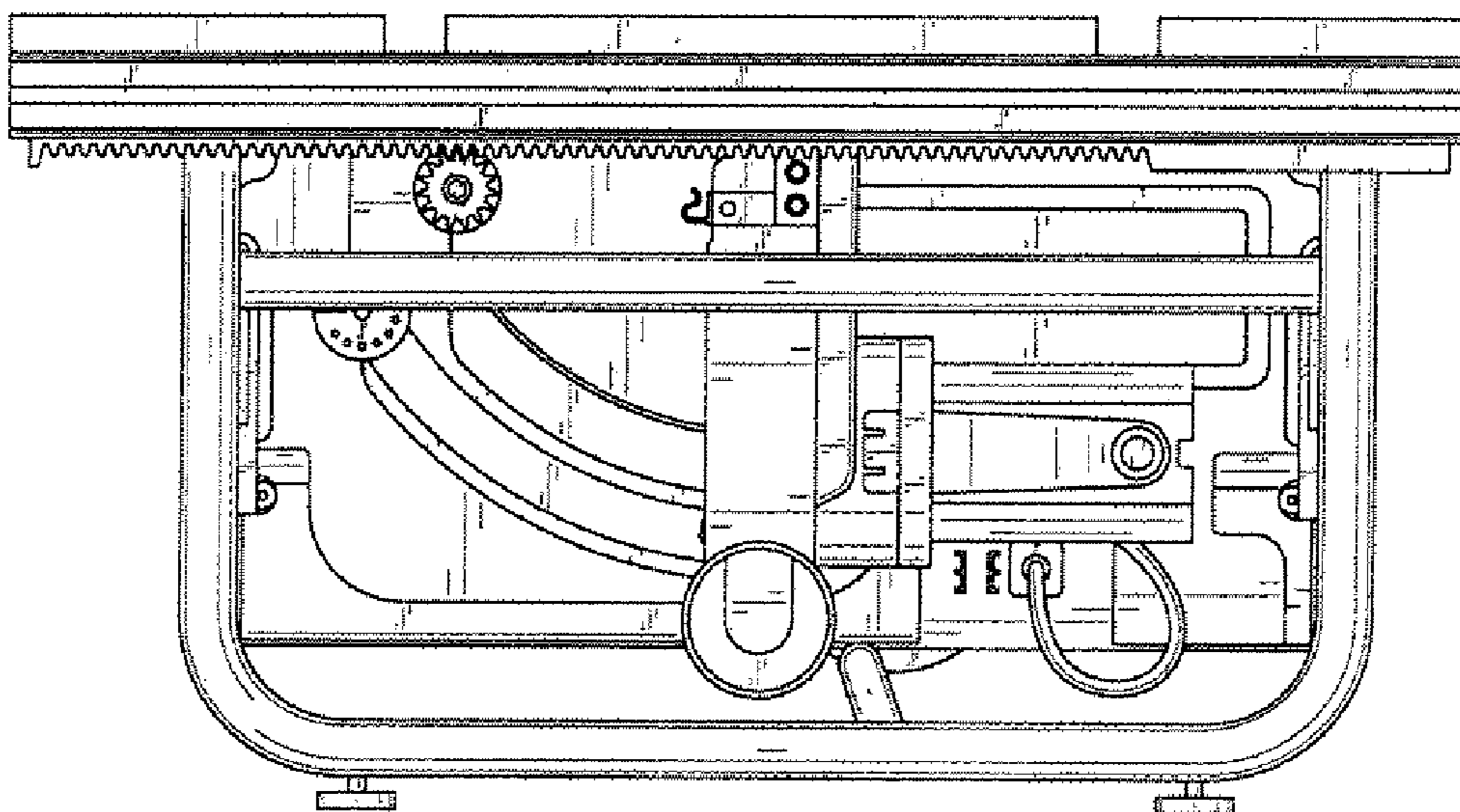


FIG. 3

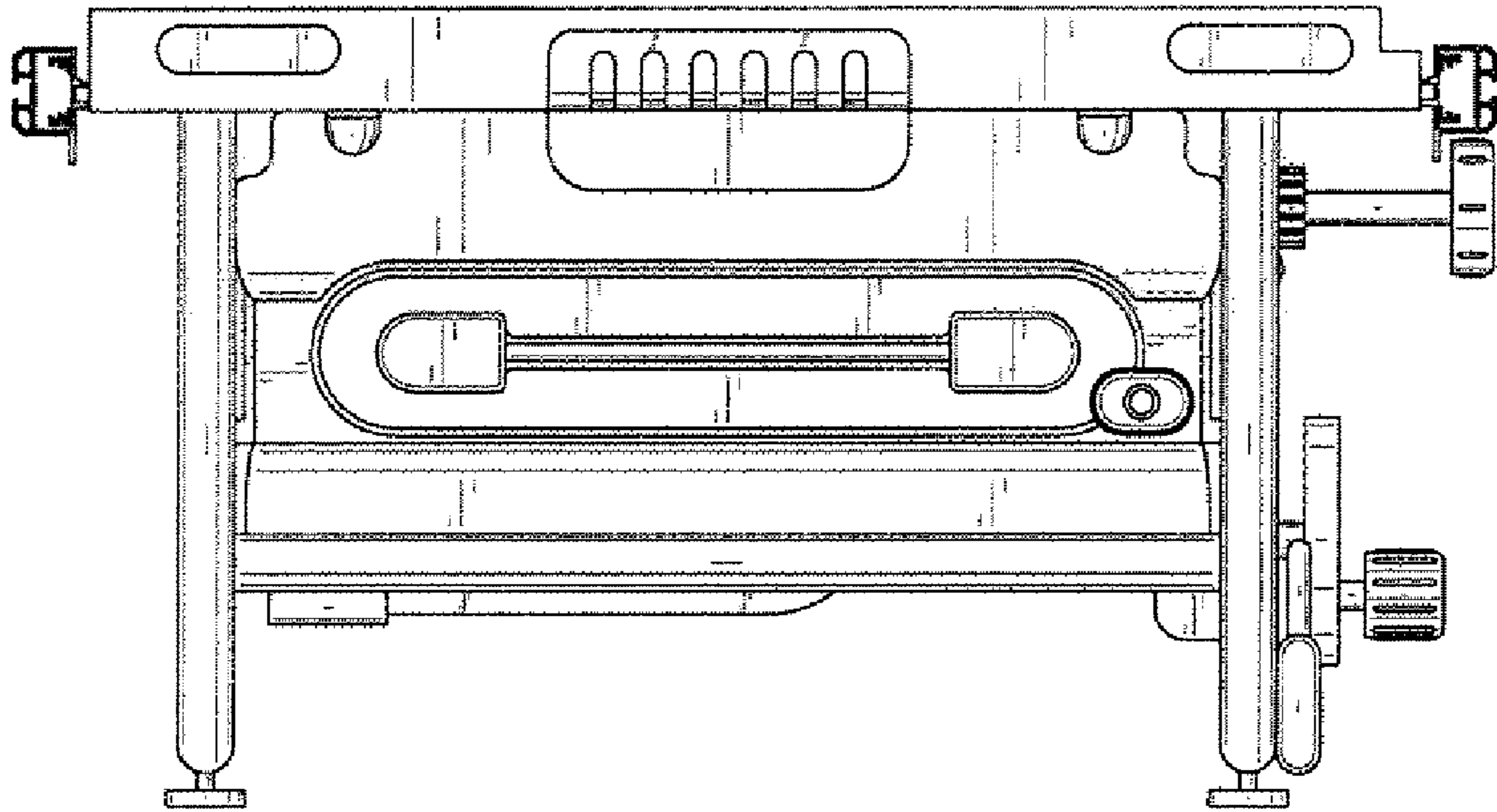


FIG. 4

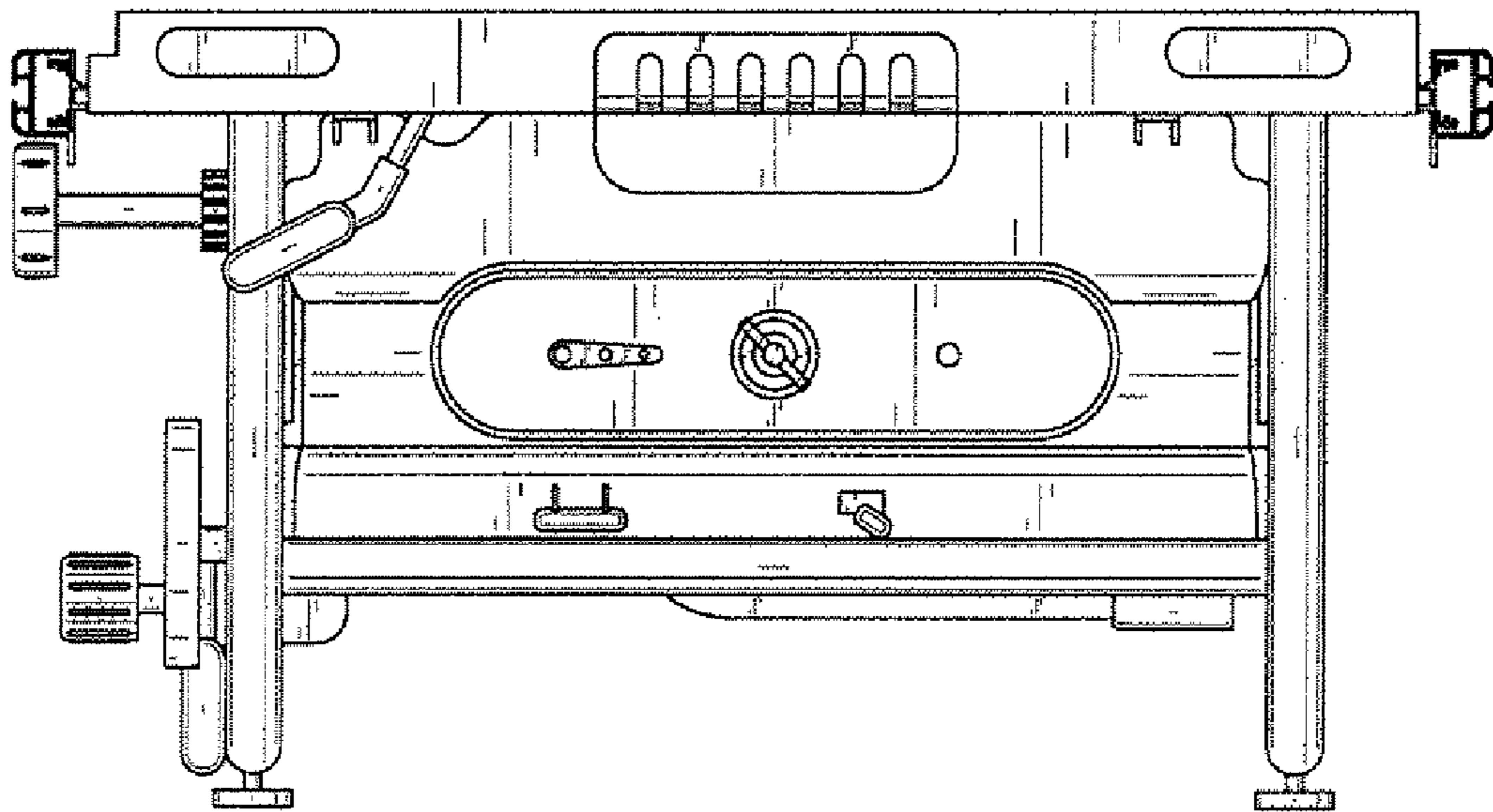


FIG. 5

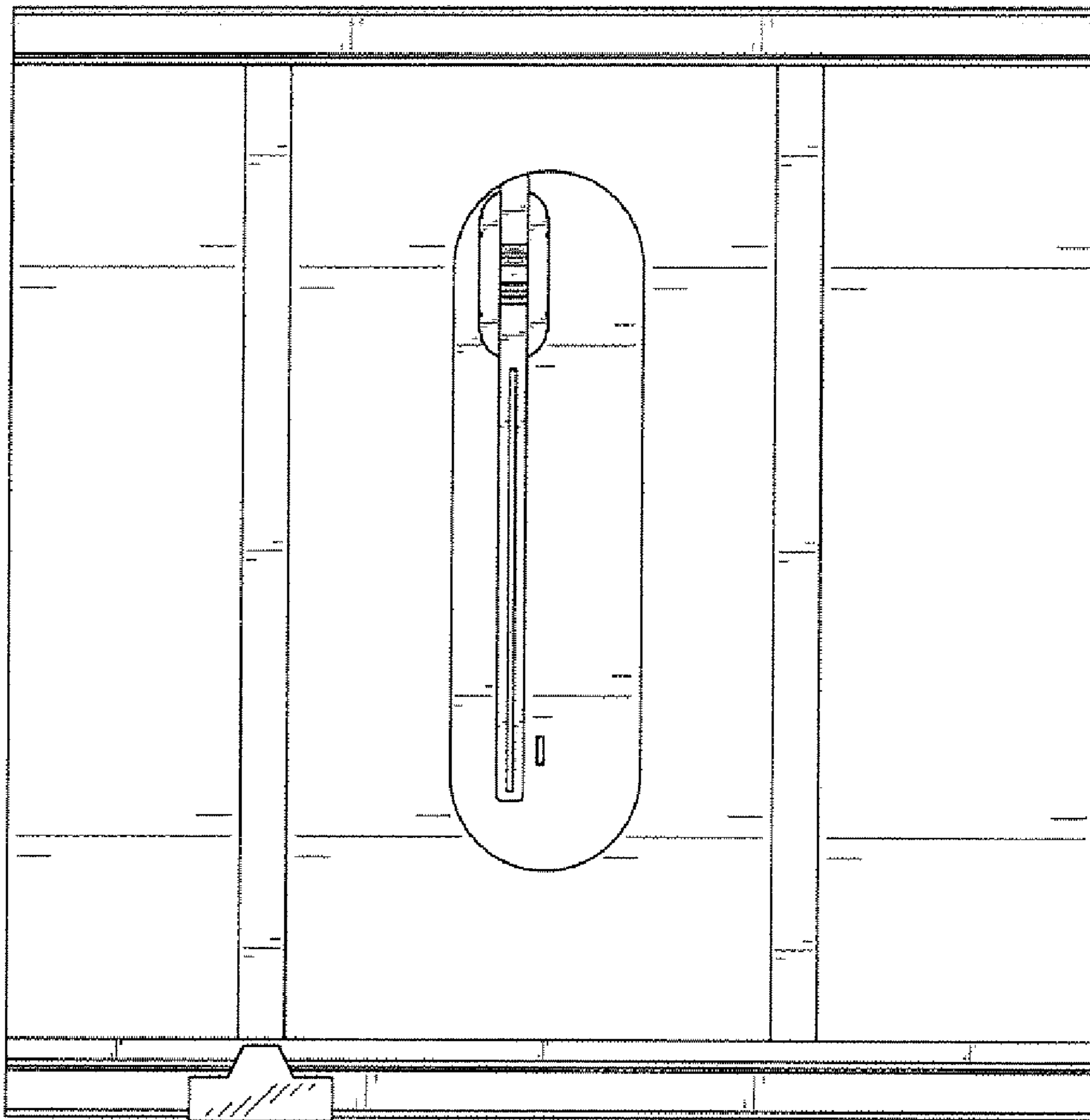


FIG. 6

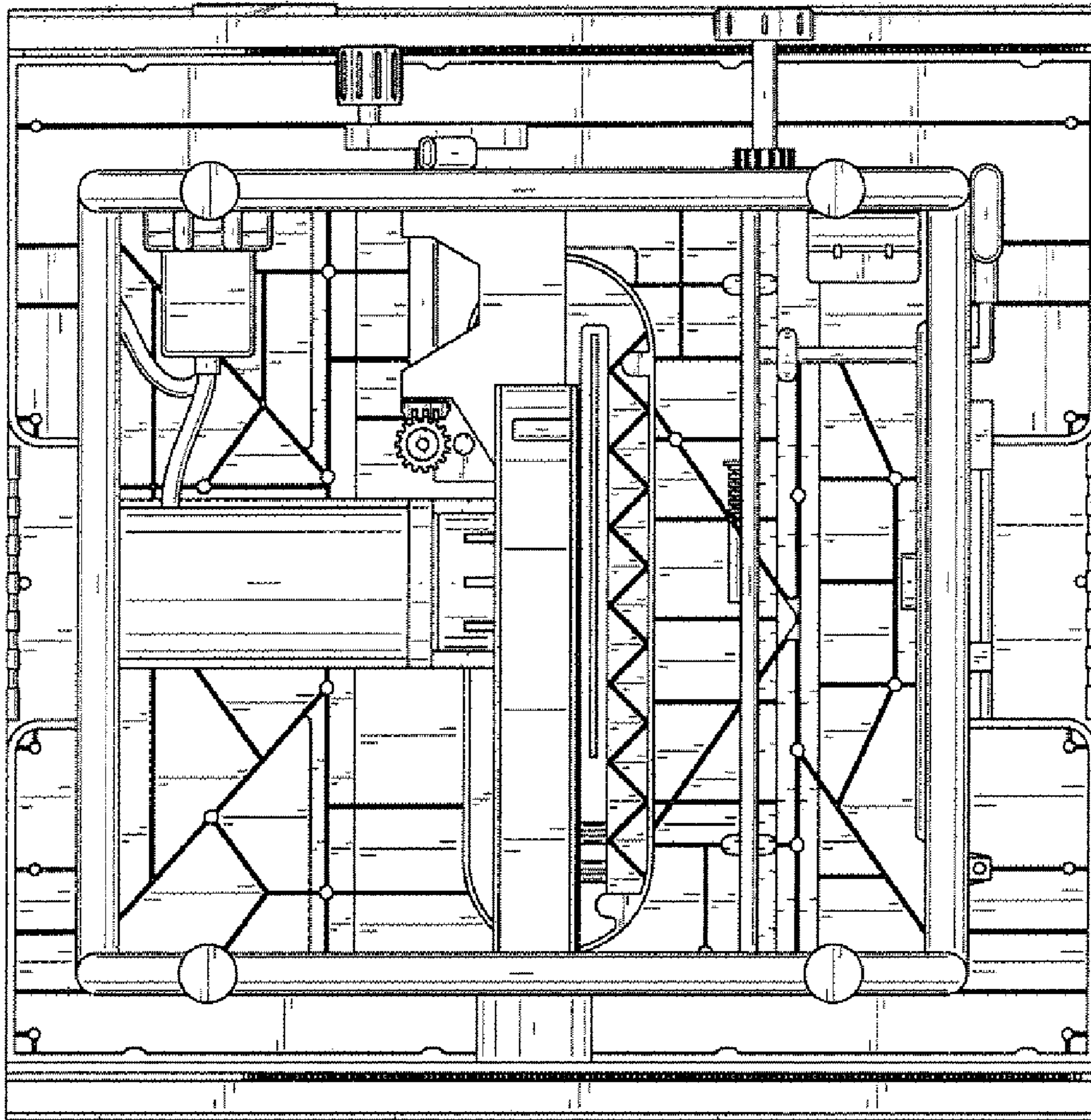


FIG. 7

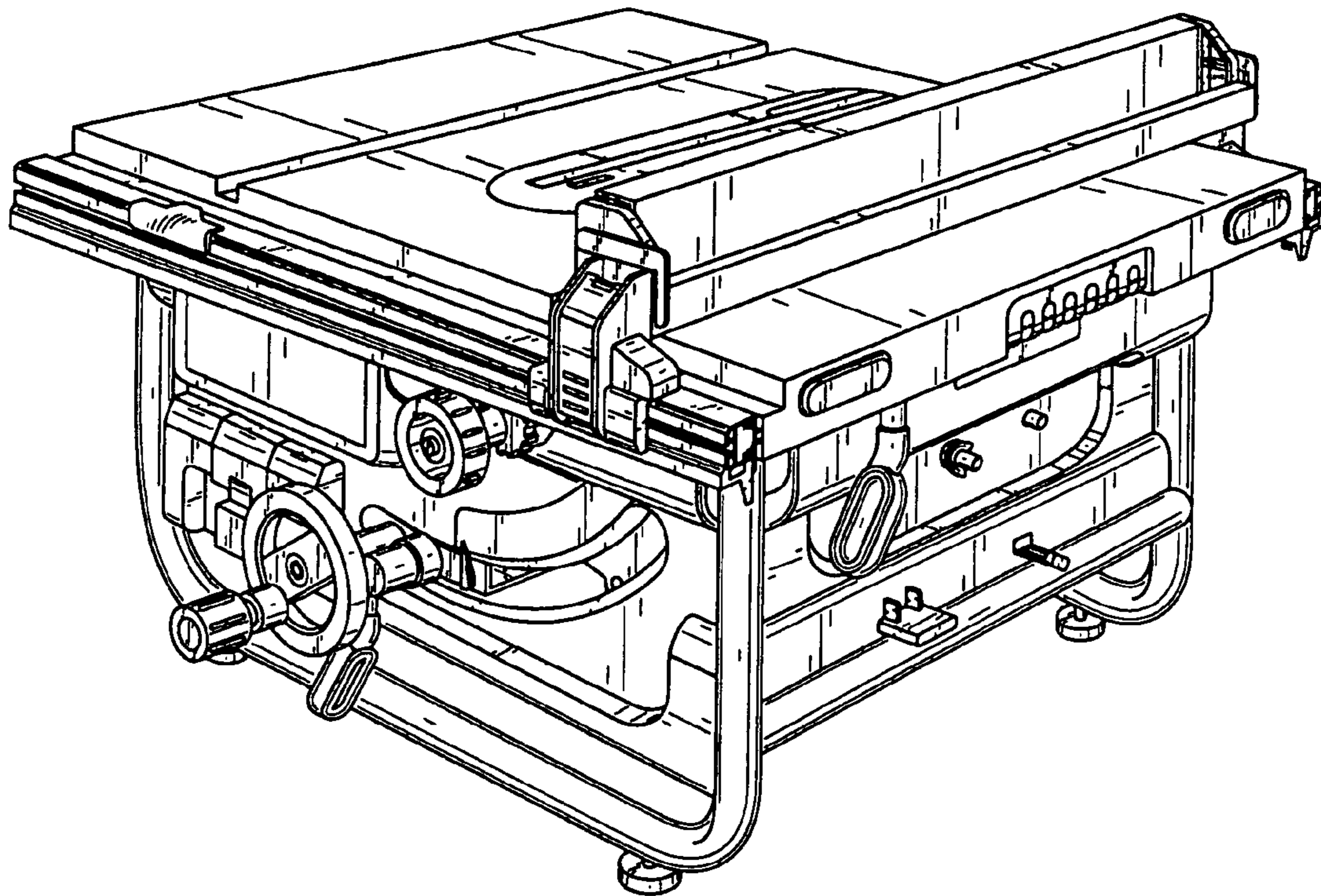


FIG. 8

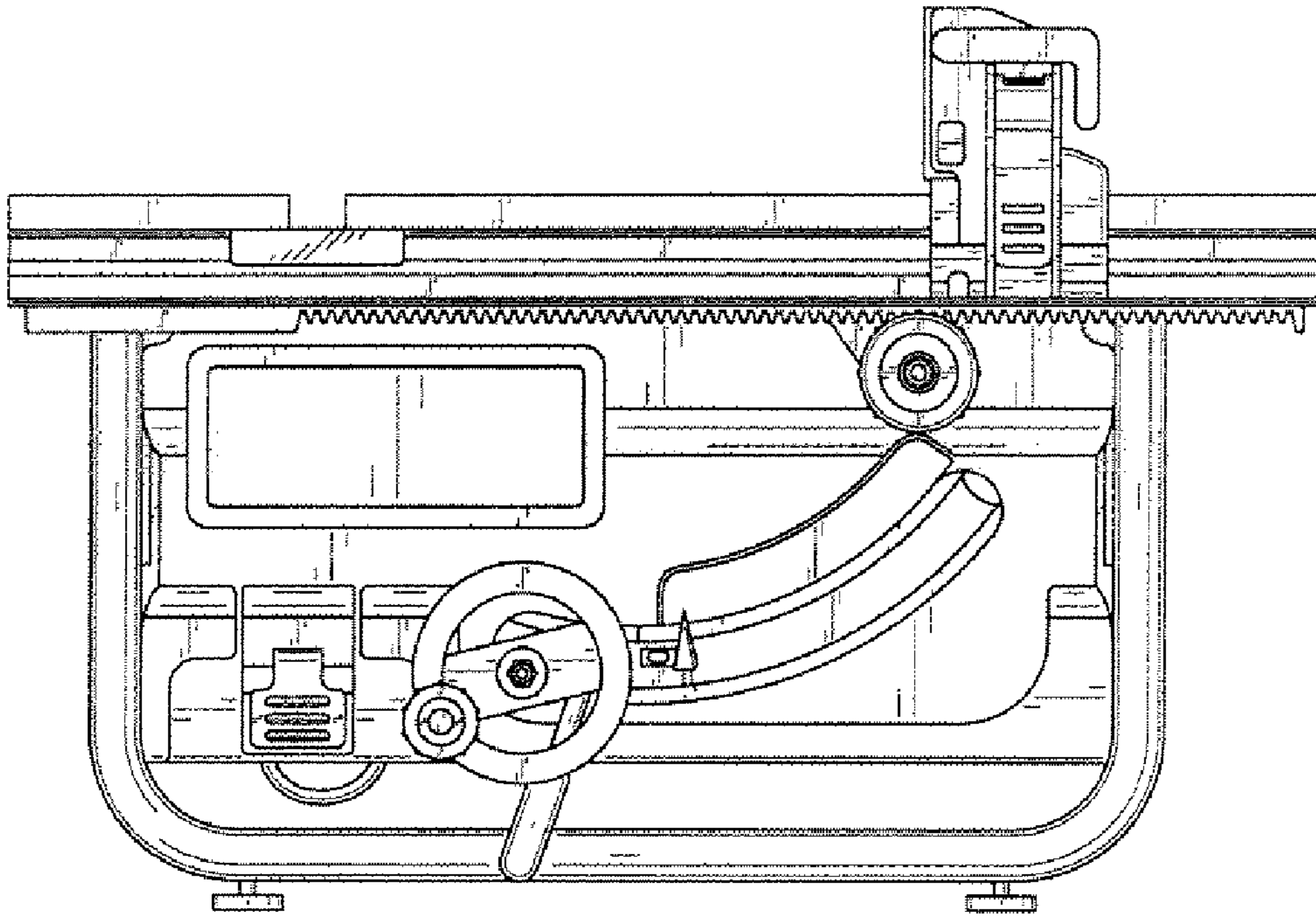


FIG. 9

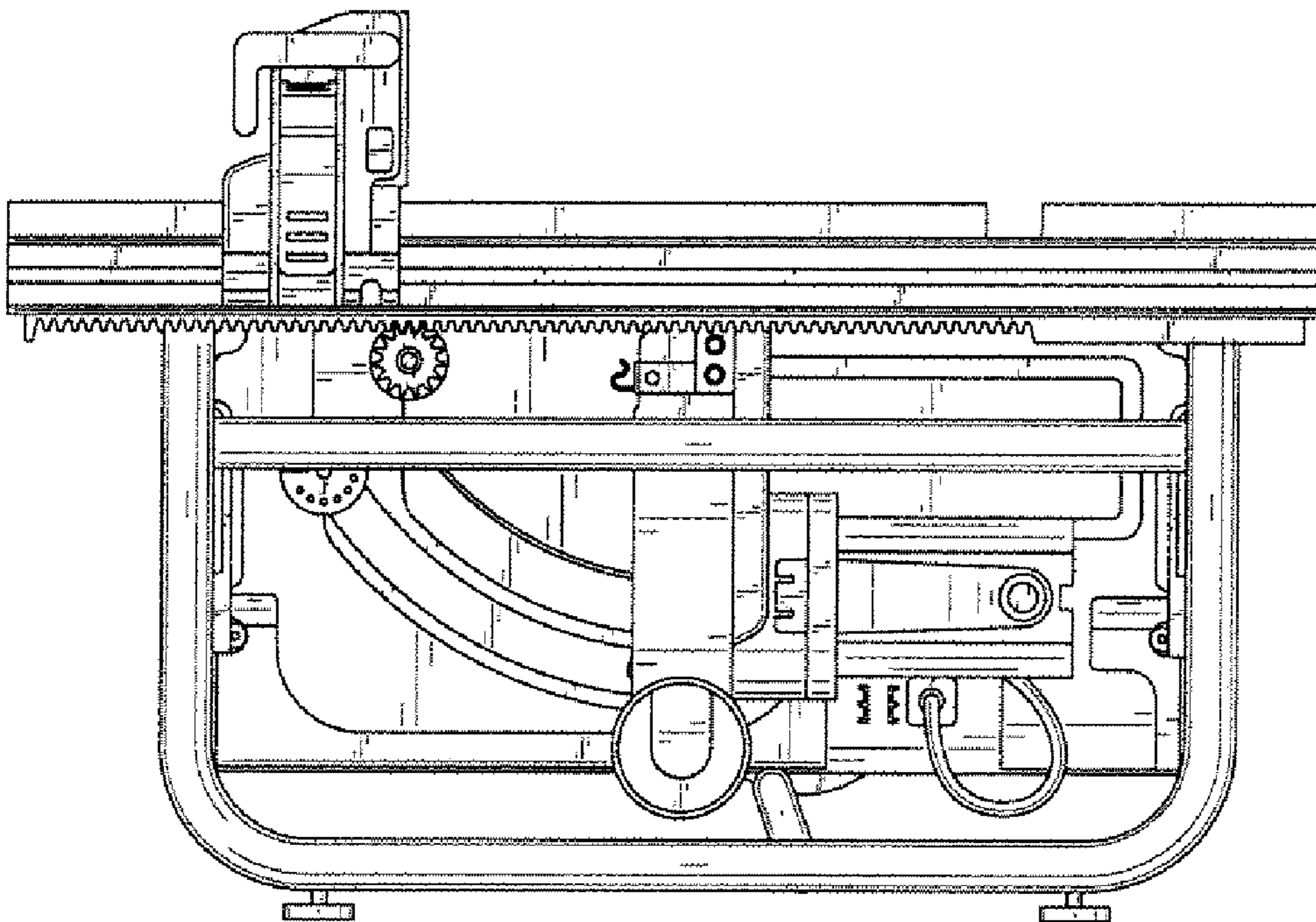


FIG. 10



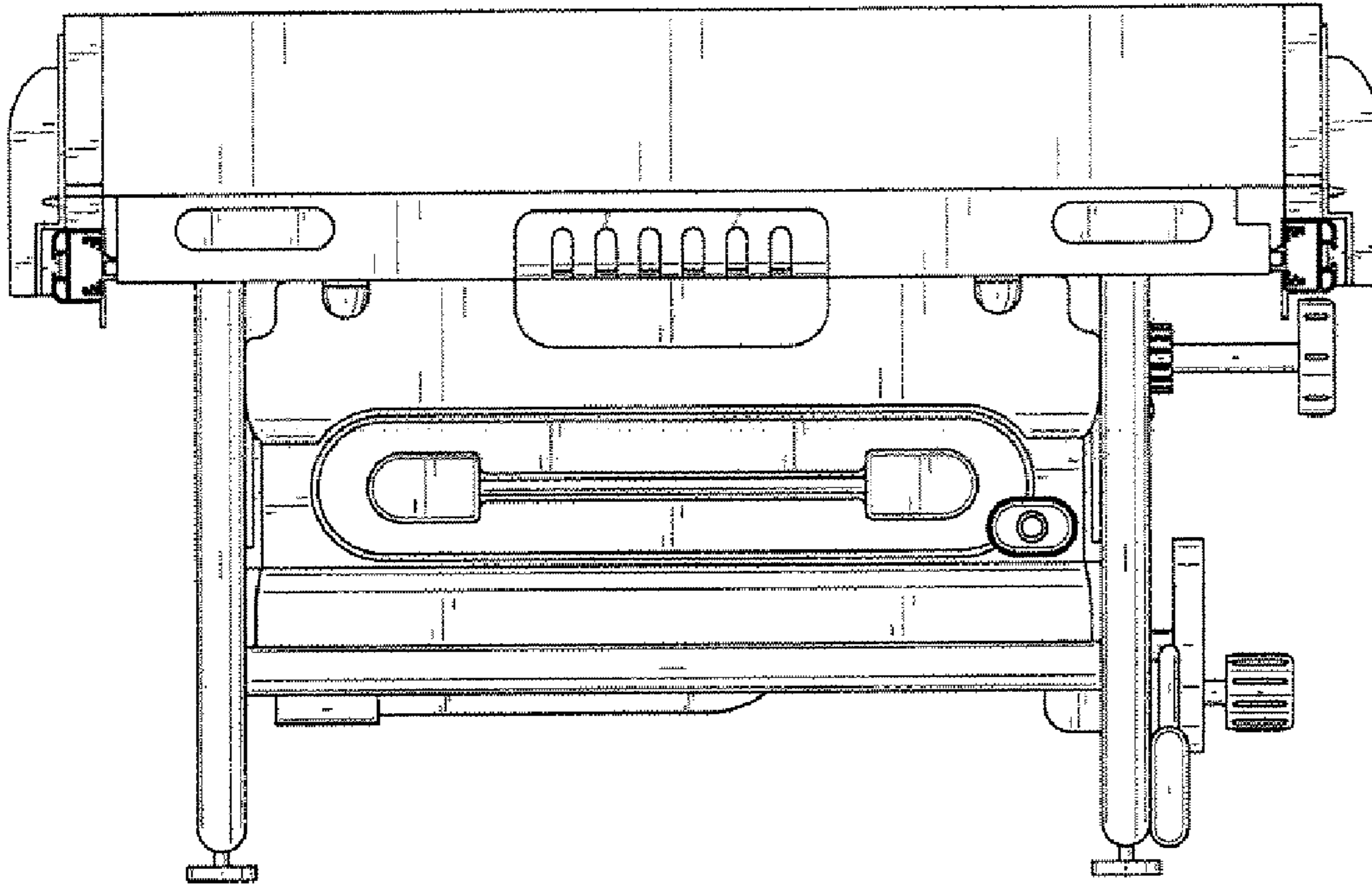


FIG. 11

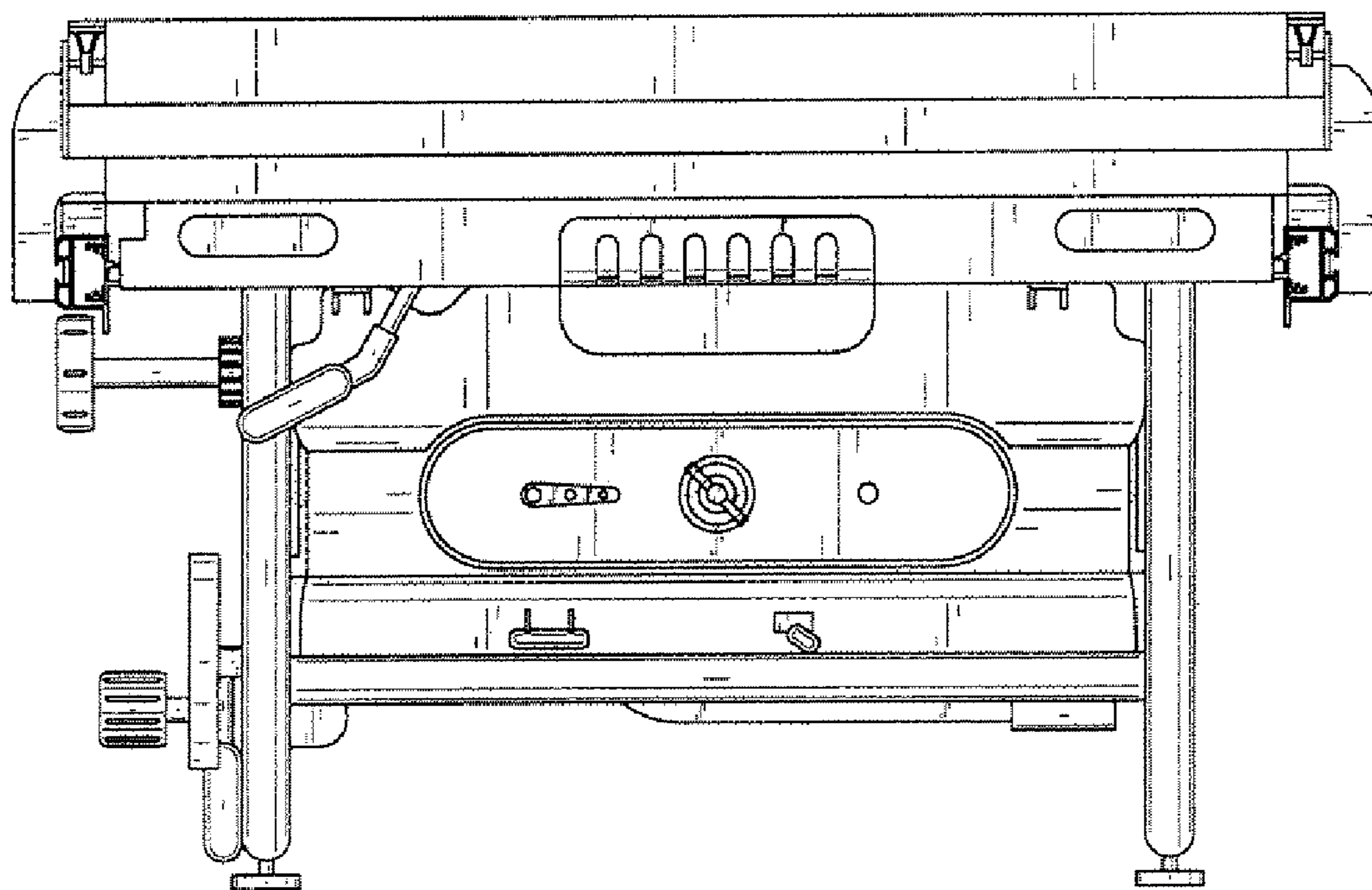


FIG. 12

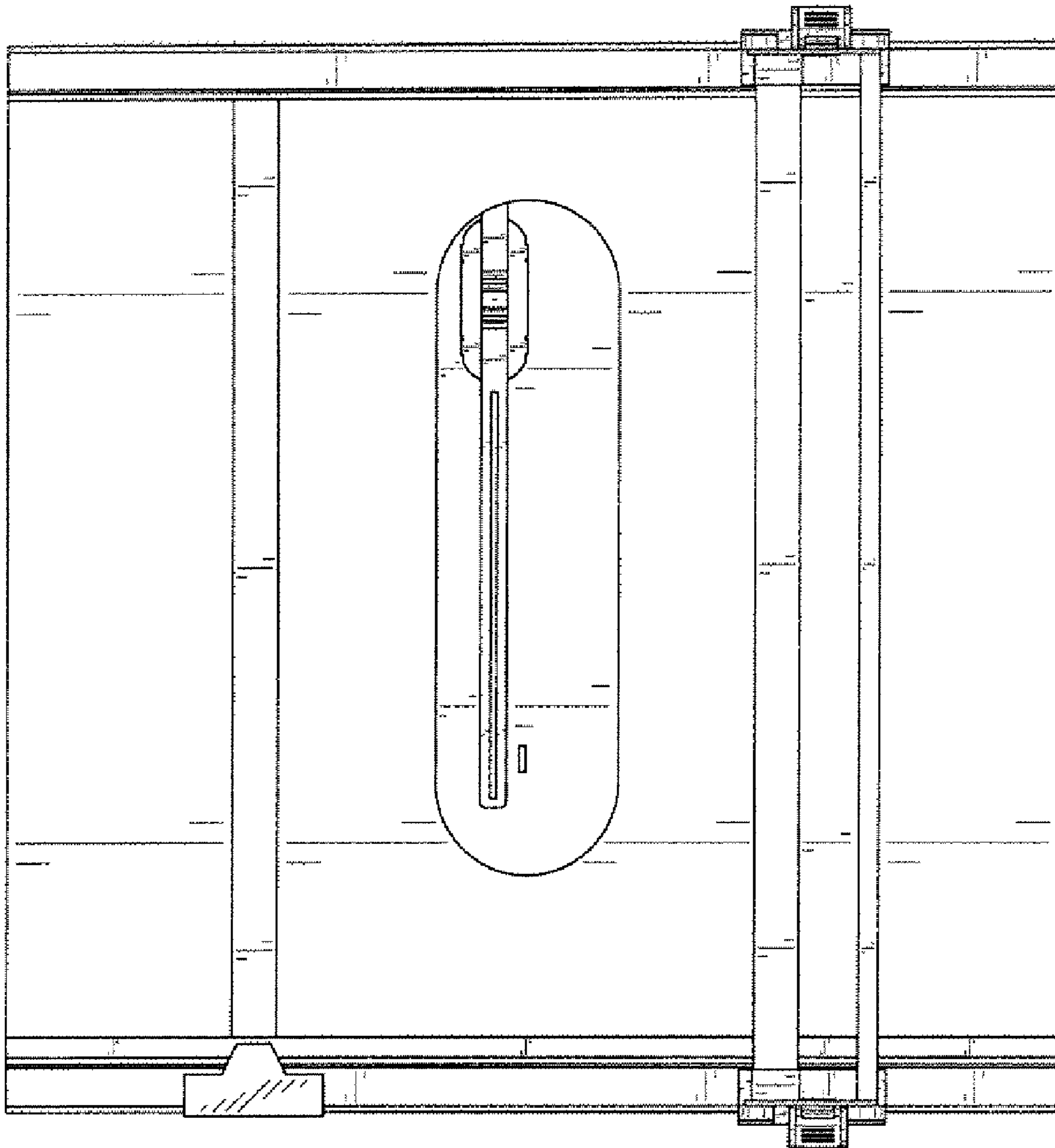


FIG. 13

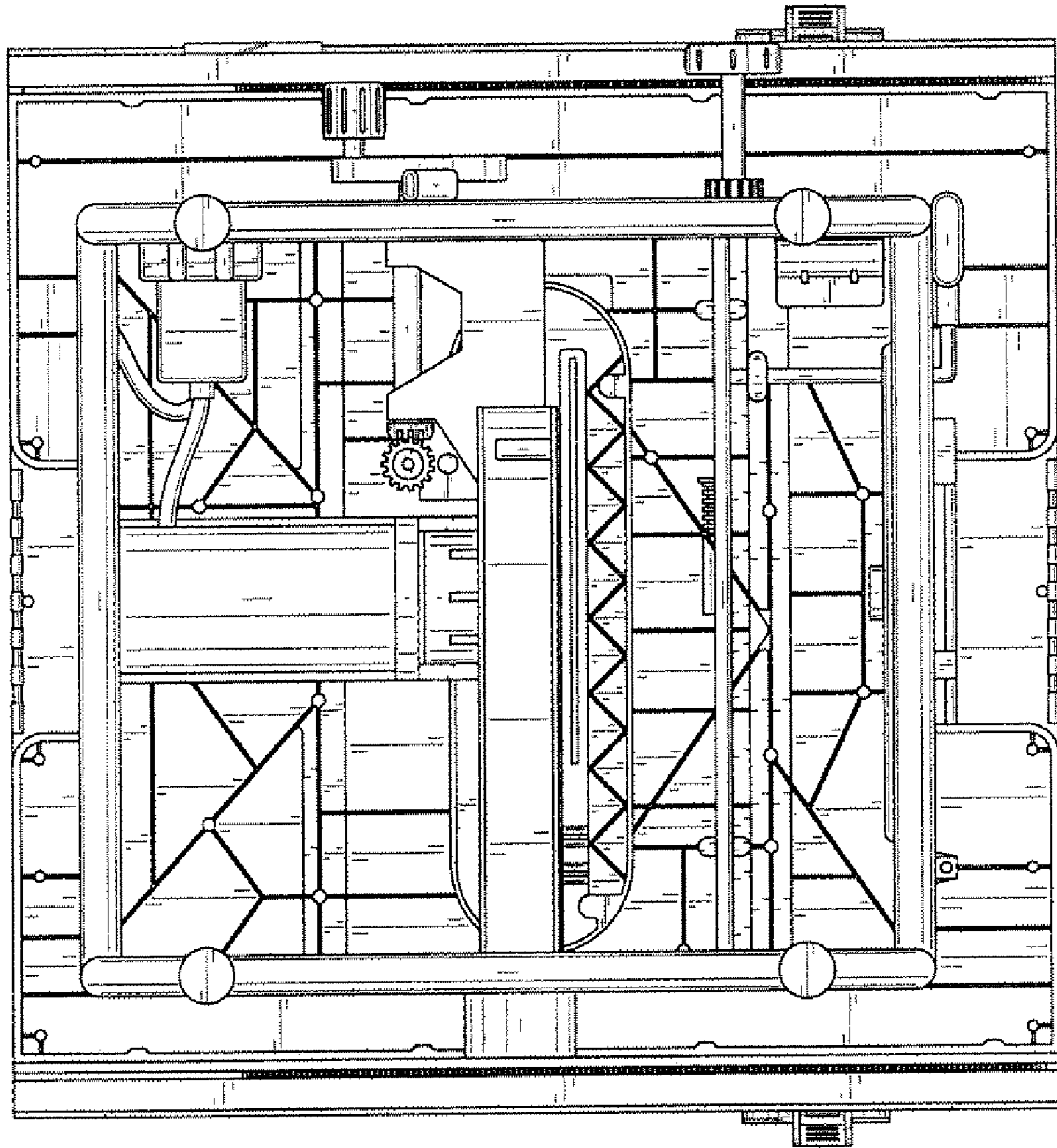


FIG. 14