

US00D545326S

(12) **United States Design Patent**
Zellers

(10) **Patent No.:** **US D545,326 S**

(45) **Date of Patent:** **** Jun. 26, 2007**

(54) **PUMP**

D479,722 S * 9/2003 Poon D15/7
D486,159 S * 2/2004 Poon D15/7
D487,752 S * 3/2004 Tsai D15/7

(75) Inventor: **Troy Glenn Zellers**, Castle Rock, CO
(US)

* cited by examiner

(73) Assignee: **Multi-Duti Manufacutring, Inc.**,
Colorado Springs, CO (US)

Primary Examiner—Ralf Seifert
(74) *Attorney, Agent, or Firm*—Linda Flewellen Gould

(**) Term: **14 Years**

(57) **CLAIM**

(21) Appl. No.: **29/269,621**

The ornamental design for a pump, as shown and described.

(22) Filed: **Dec. 5, 2006**

DESCRIPTION

(51) **LOC (8) Cl.** **15-02**

(52) **U.S. Cl.** **D15/7**

(58) **Field of Classification Search** D15/7-9;
D23/232, 231; 417/359, 415-416, 410.1,
417/321, 265, 405

See application file for complete search history.

FIG. 1 is a perspective front, top, and right side view of a pump, showing my new design;

FIG. 2 is a perspective front, top, and left side view thereof;

FIG. 3 is a front view thereof;

FIG. 4 is a cross-sectional view thereof taken along line 4-4 of FIG. 3;

FIG. 5 is a top view thereof;

FIG. 6 is a right side view thereof;

FIG. 7 is a back view thereof; and,

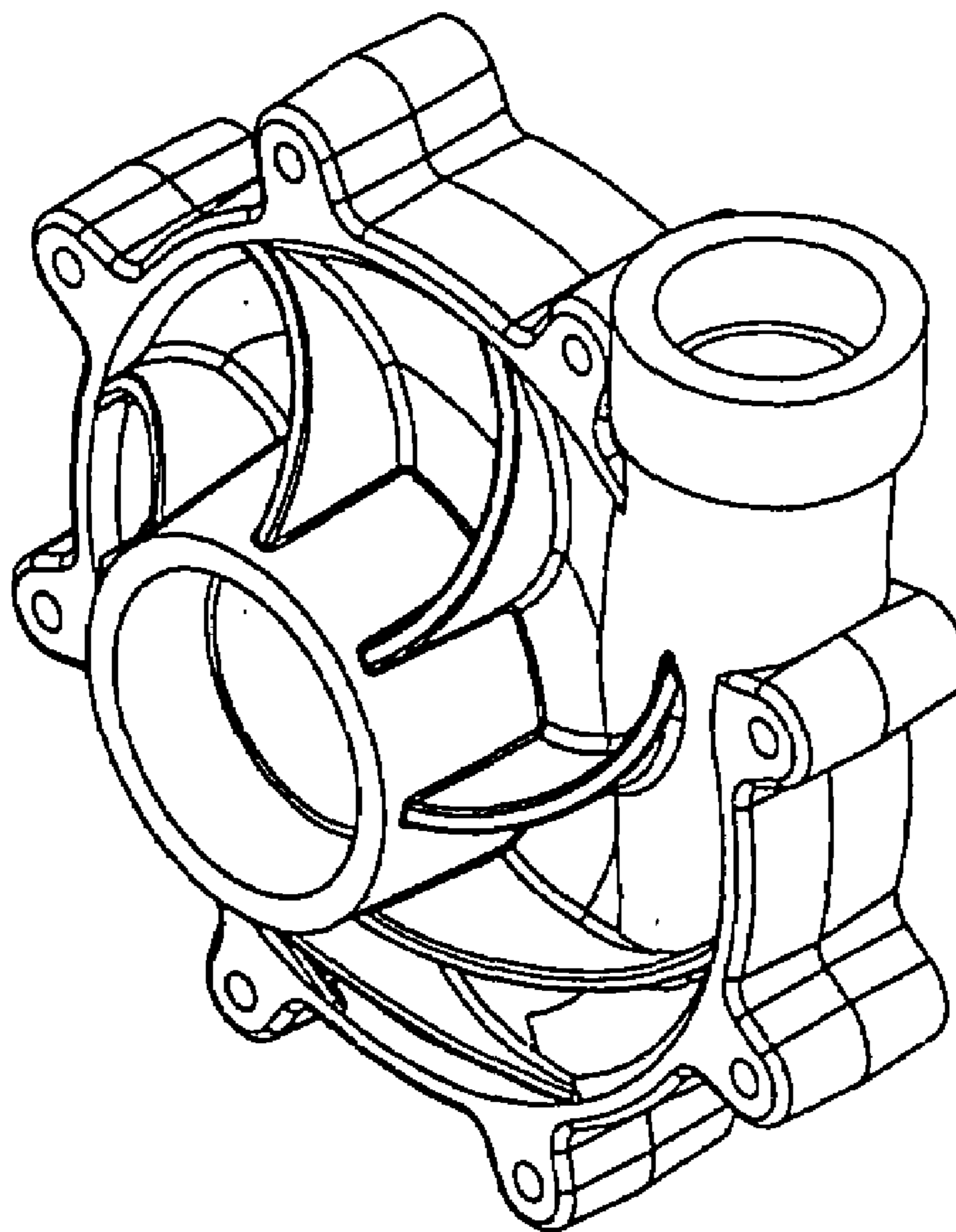
FIG. 8 is a left side view thereof.

(56) **References Cited**

U.S. PATENT DOCUMENTS

3,319,573 A * 5/1967 Judd 415/144
D368,913 S * 4/1996 Wightley D15/7
D381,339 S * 7/1997 Wightley D15/7
D422,601 S * 4/2000 Bonzer D15/7
D453,342 S * 2/2002 Wu D15/7

1 Claim, 2 Drawing Sheets



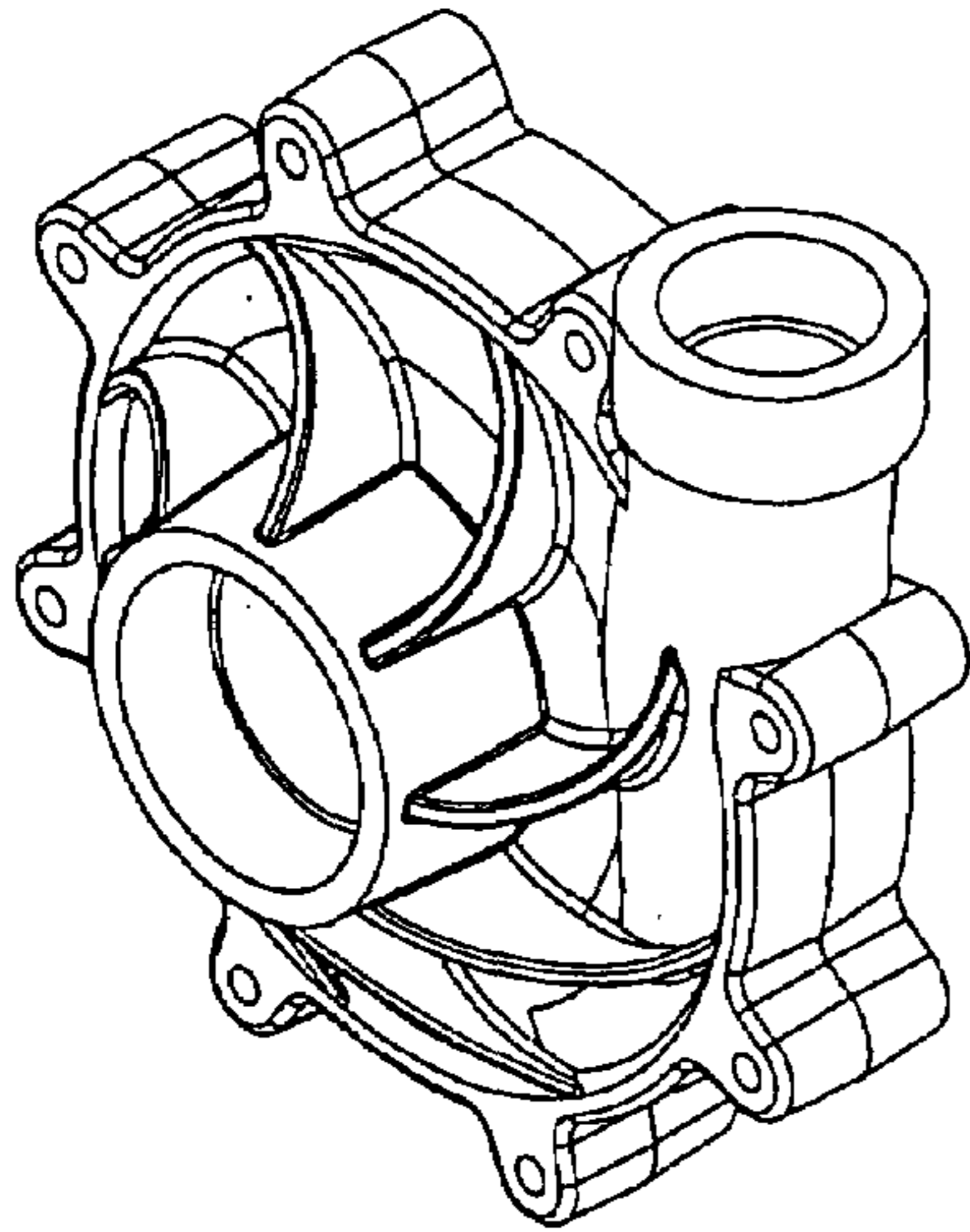


Figure 1

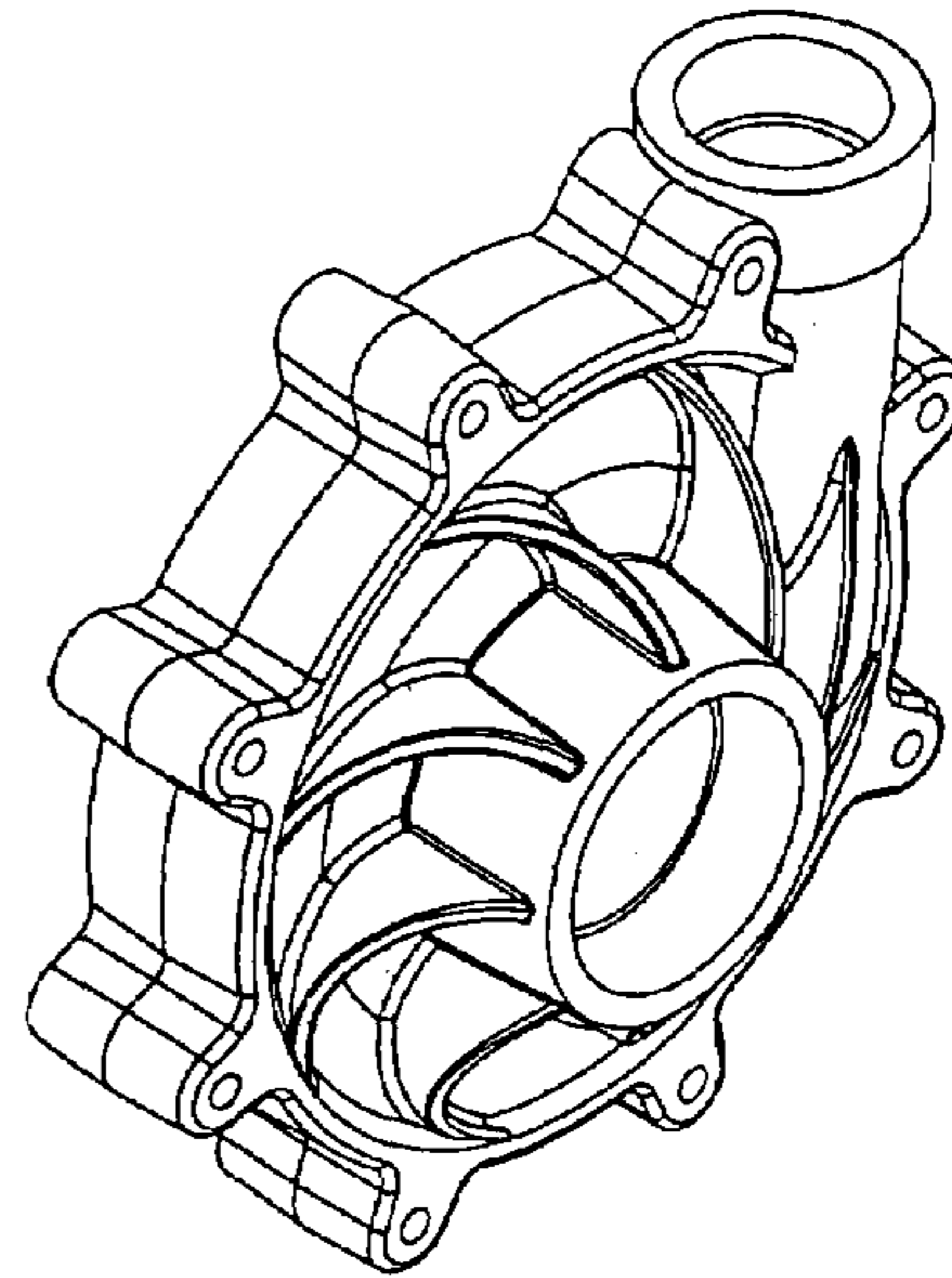


Figure 2

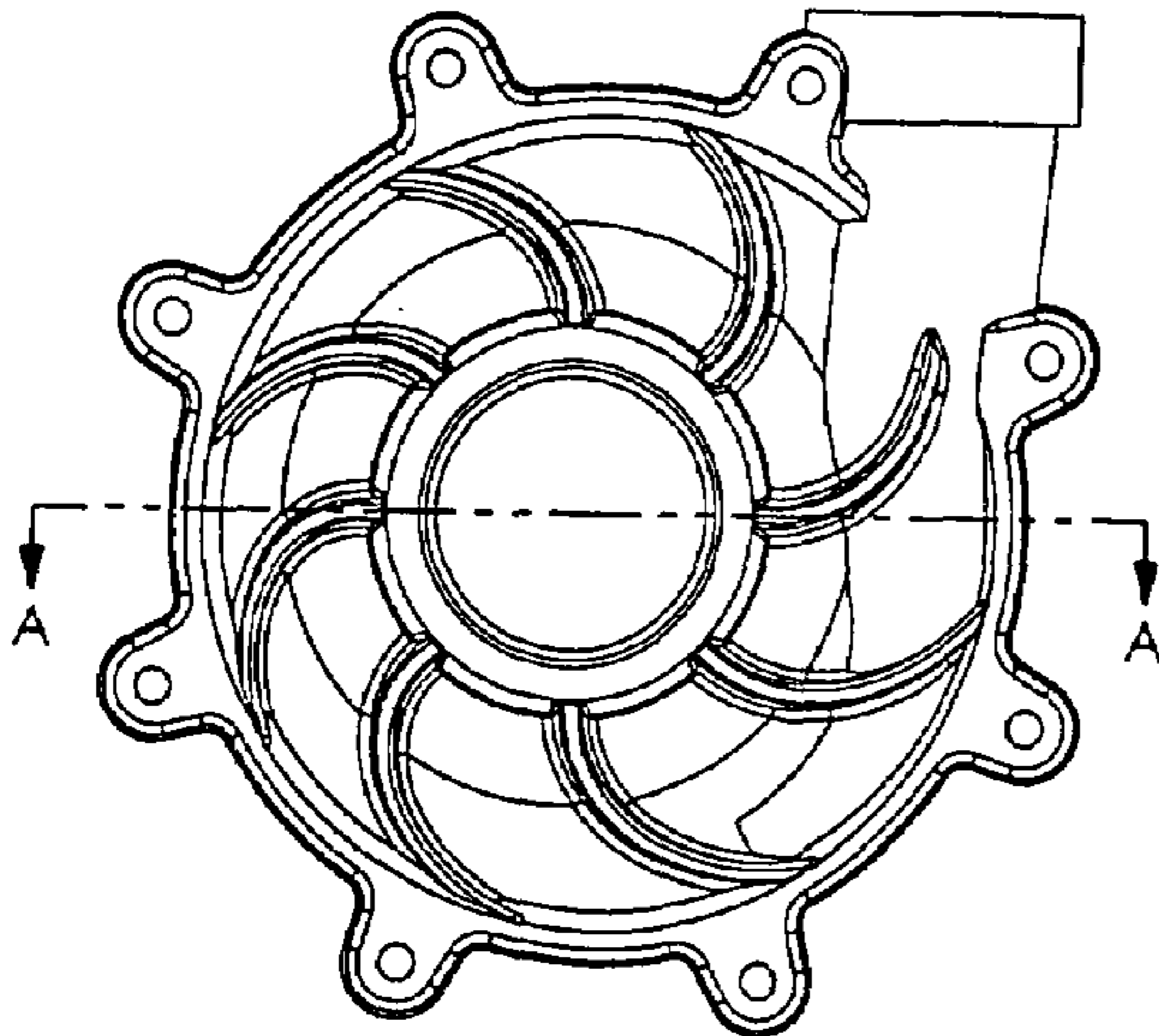


Figure 3

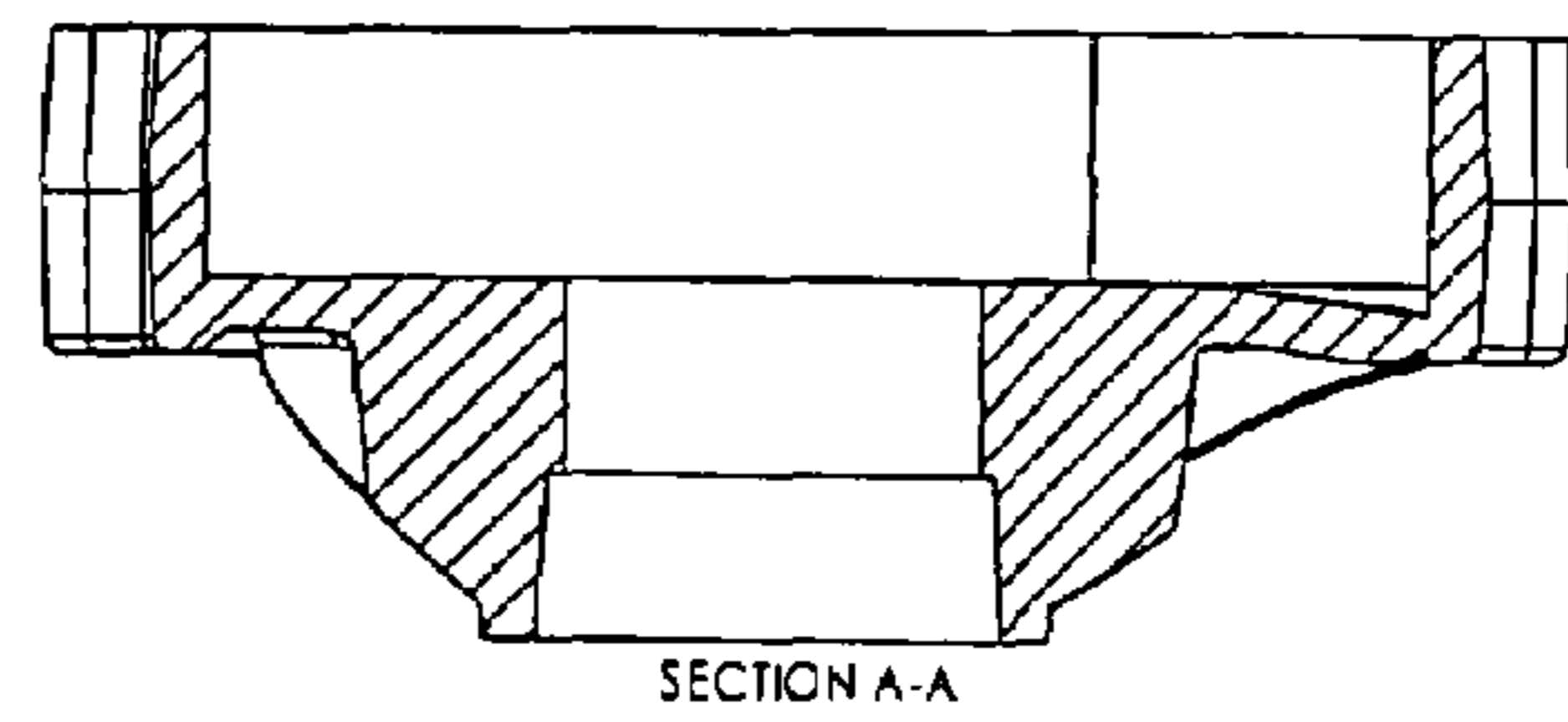


Figure 4

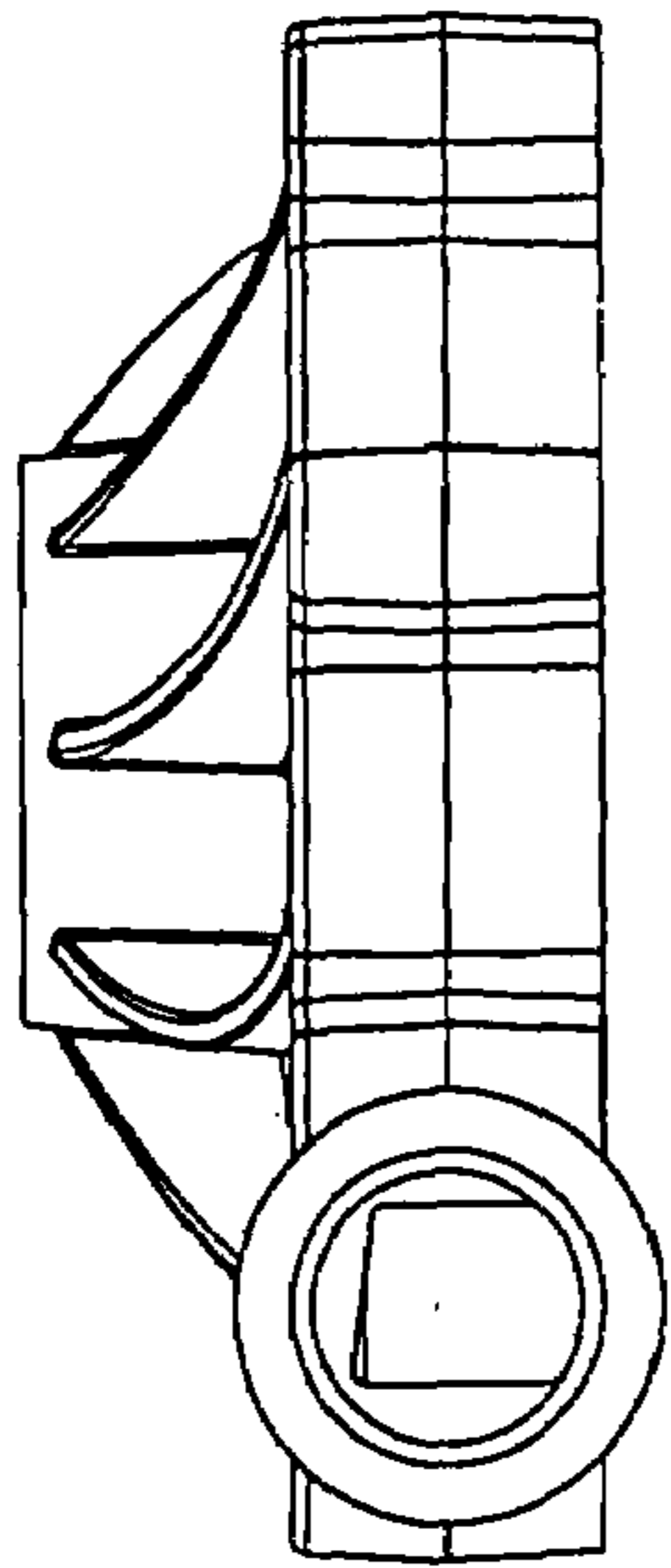


Figure 5

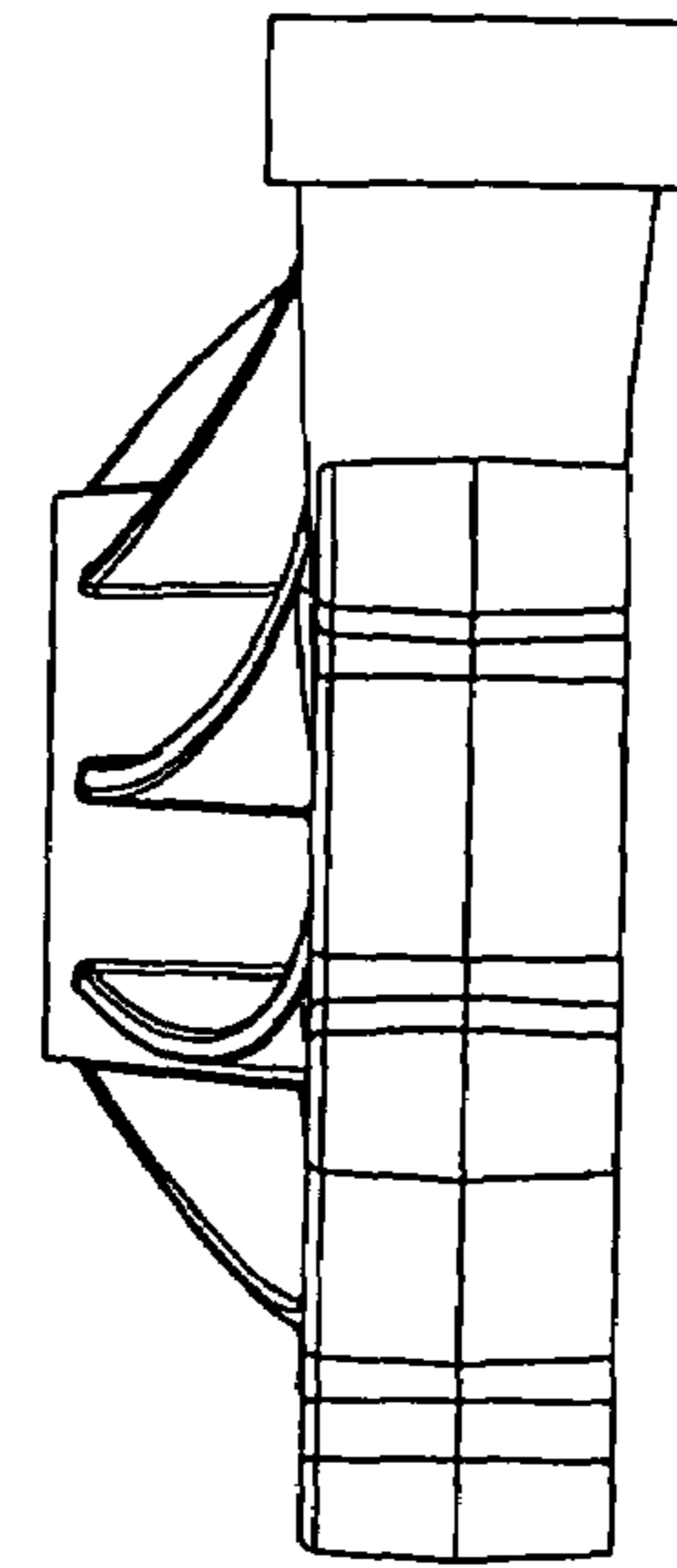


Figure 6

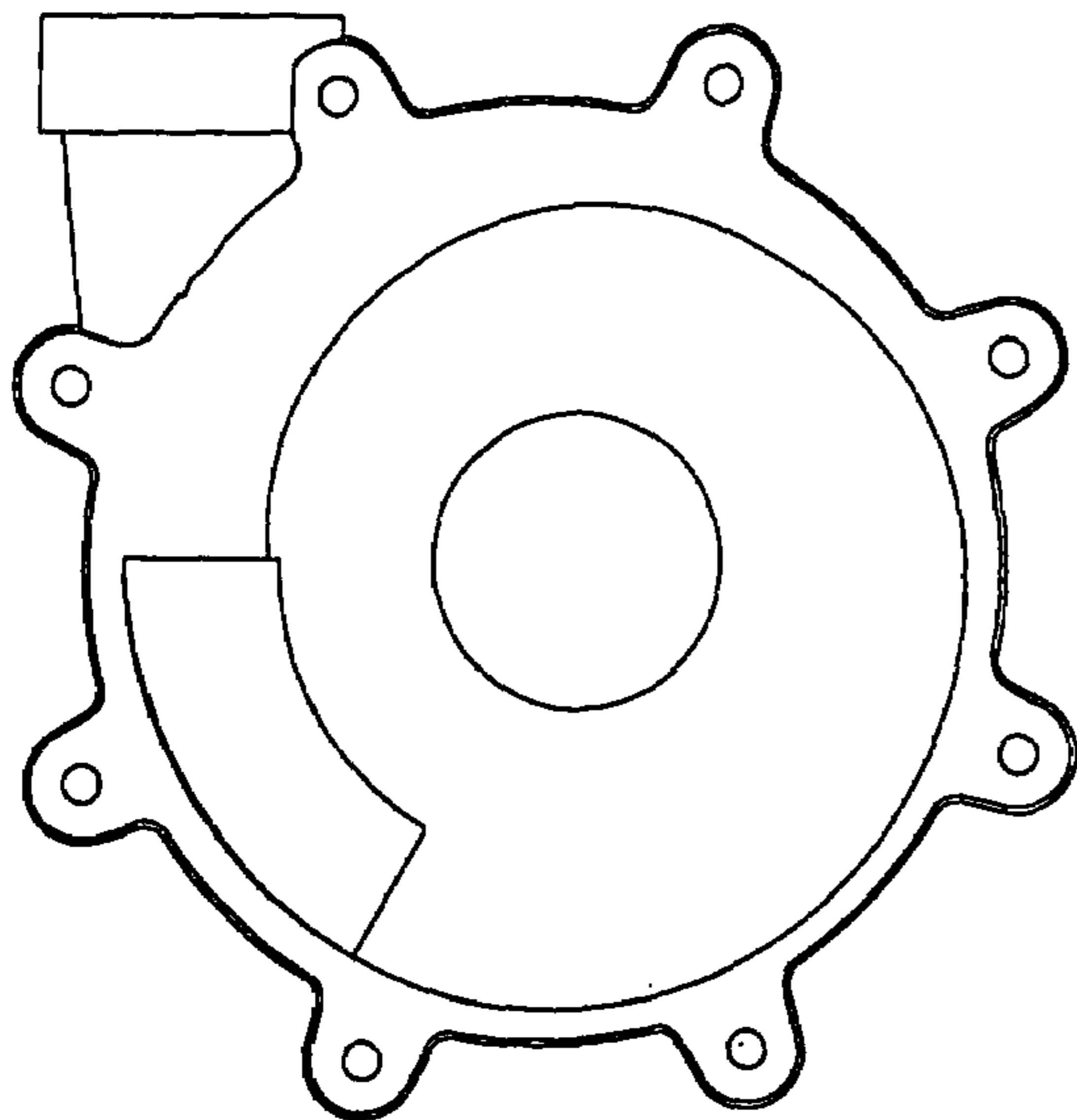


Figure 7

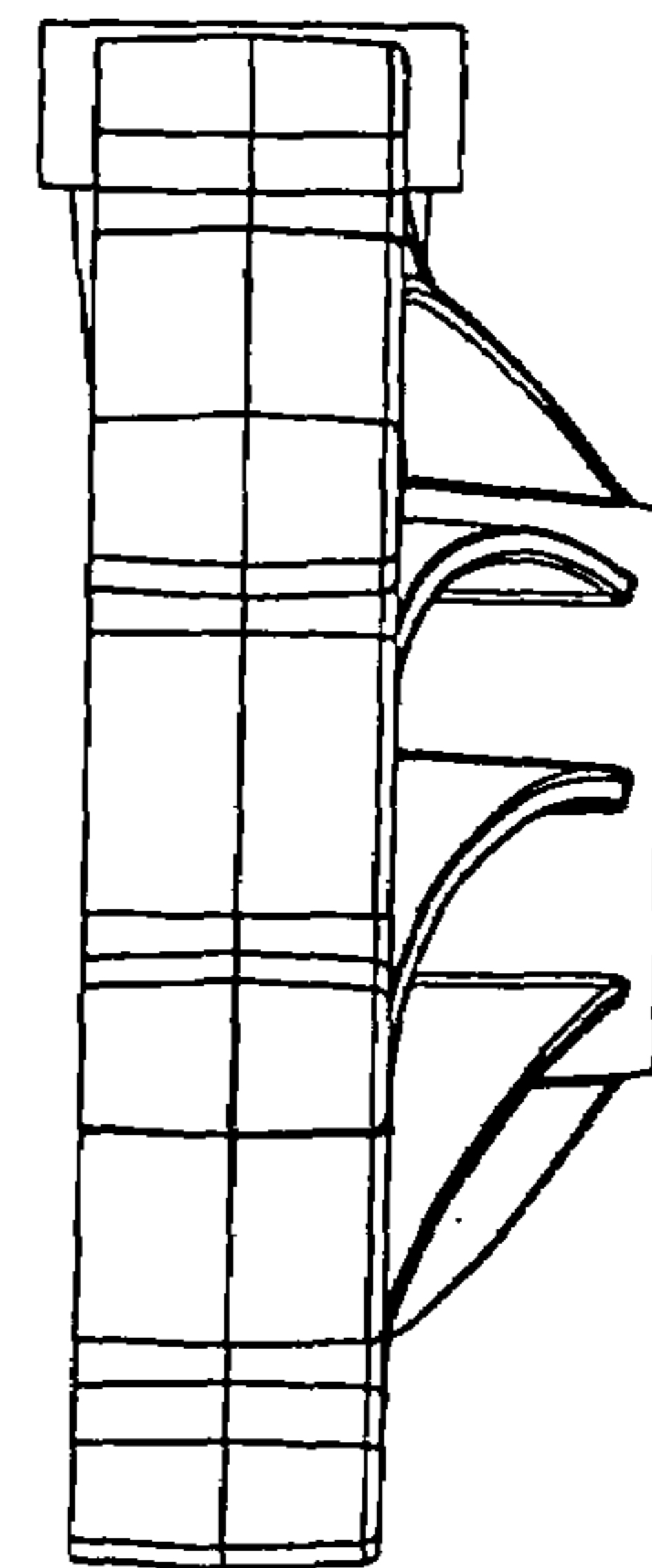


Figure 8