



US00D545322S

(12) **United States Design Patent**
Hoshiya et al.

(10) **Patent No.:** **US D545,322 S**
(45) **Date of Patent:** **** Jun. 26, 2007**

(54) **FACSIMILE MACHINE**
(75) Inventors: **Kazuhiro Hoshiya**, Nagoya (JP);
Toshiya Inada, Nagoya (JP)
(73) Assignee: **Brother Industries, Ltd.**, Nagoya (JP)
(**) Term: **14 Years**
(21) Appl. No.: **29/225,725**
(22) Filed: **Mar. 21, 2005**
(30) **Foreign Application Priority Data**
Sep. 30, 2004 (JP) 2004-029819

(51) **LOC (8) Cl.** **16-03**
(52) **U.S. Cl.** **D14/462**
(58) **Field of Classification Search** D14/420-425,
D14/462-471; D18/36-41, 50, 53, 55, 56;
D24/190-192; 5/622, 623, 630, 633, 646,
5/648; 358/400-404
See application file for complete search history.

(56) **References Cited**
U.S. PATENT DOCUMENTS
3,512,189 A * 5/1970 Swanson 5/630
4,611,719 A * 9/1986 Dudek et al. 211/50
4,646,382 A * 3/1987 Smith 15/236.01
4,908,891 A * 3/1990 Blagg 5/633

D364,202 S * 11/1995 Benson D21/686
D376,141 S * 12/1996 Takeuchi D14/463
D397,333 S * 8/1998 Kawai D14/462
D455,755 S * 4/2002 Levine et al. D14/447

* cited by examiner
Primary Examiner—Stella Reid
Assistant Examiner—Keli' L. Acker
(74) *Attorney, Agent, or Firm*—Oliff & Berridge, PLC

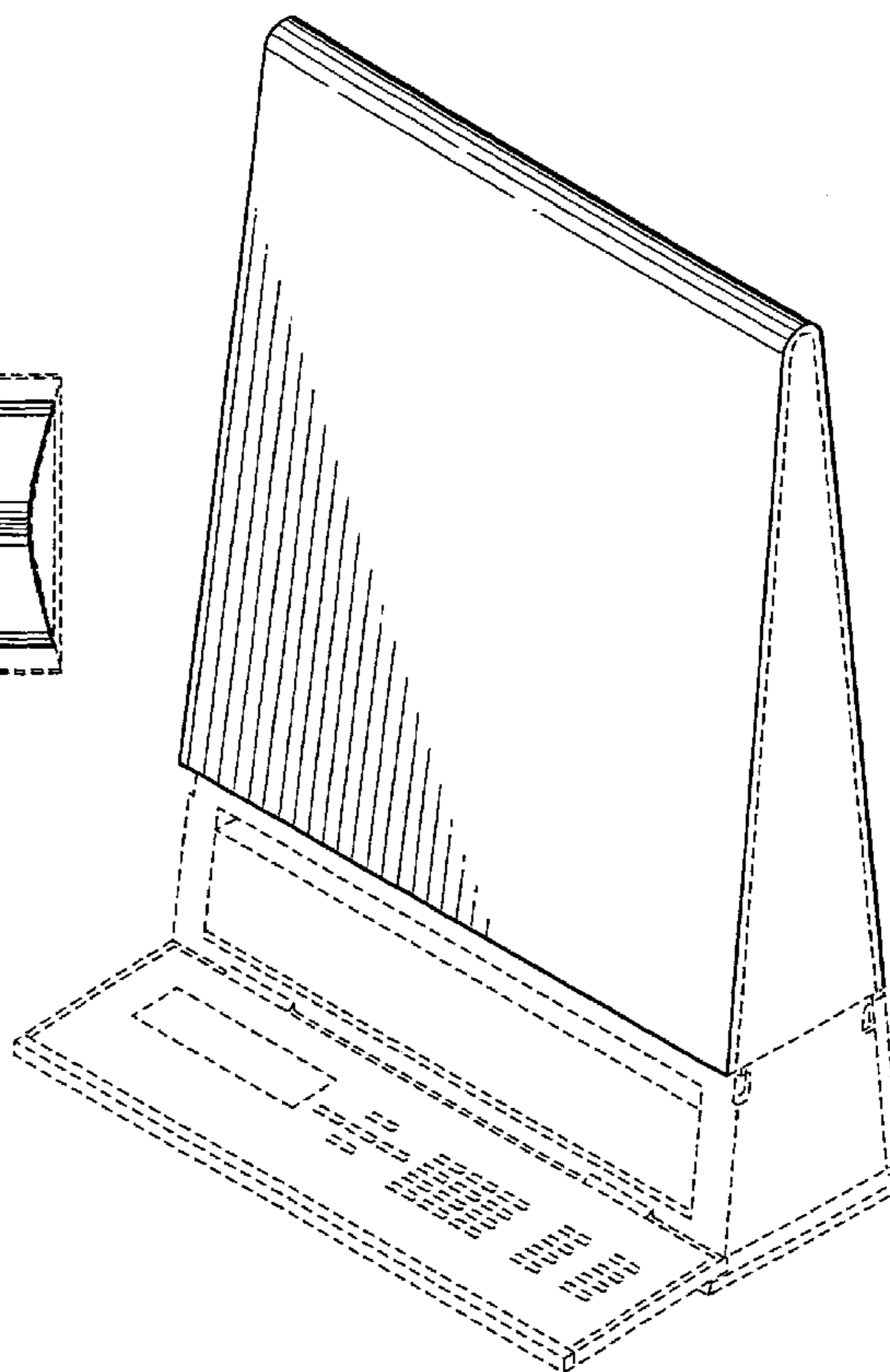
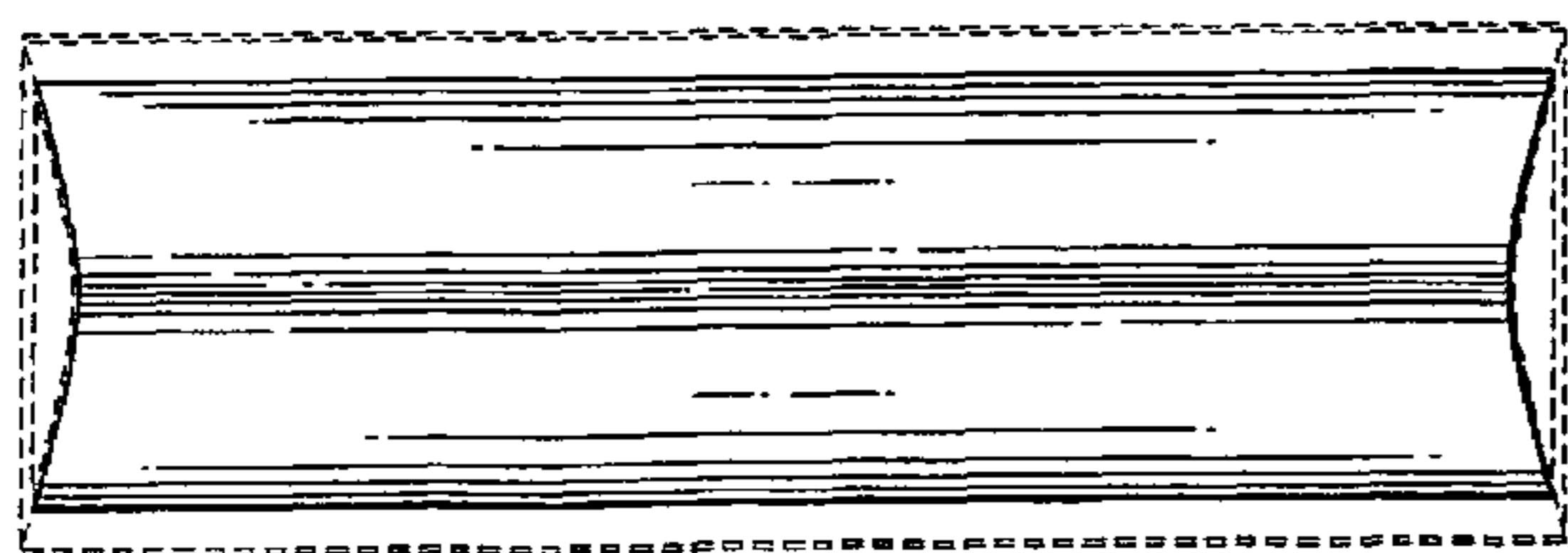
(57) **CLAIM**

The ornamental design for facsimile machine, as shown and described.

DESCRIPTION

FIG. 1 is a perspective view of a facsimile machine;
FIG. 2 is a front view thereof;
FIG. 3 is a top view thereof;
FIG. 4 is a right view thereof;
FIG. 5 is a left view thereof;
FIG. 6 is a rear view thereof; and,
FIG. 7 is a perspective view thereof similar to FIG. 1, with a display cover in an open position.
The broken lines are for illustrative purposes and form no part of the claimed design.

1 Claim, 5 Drawing Sheets



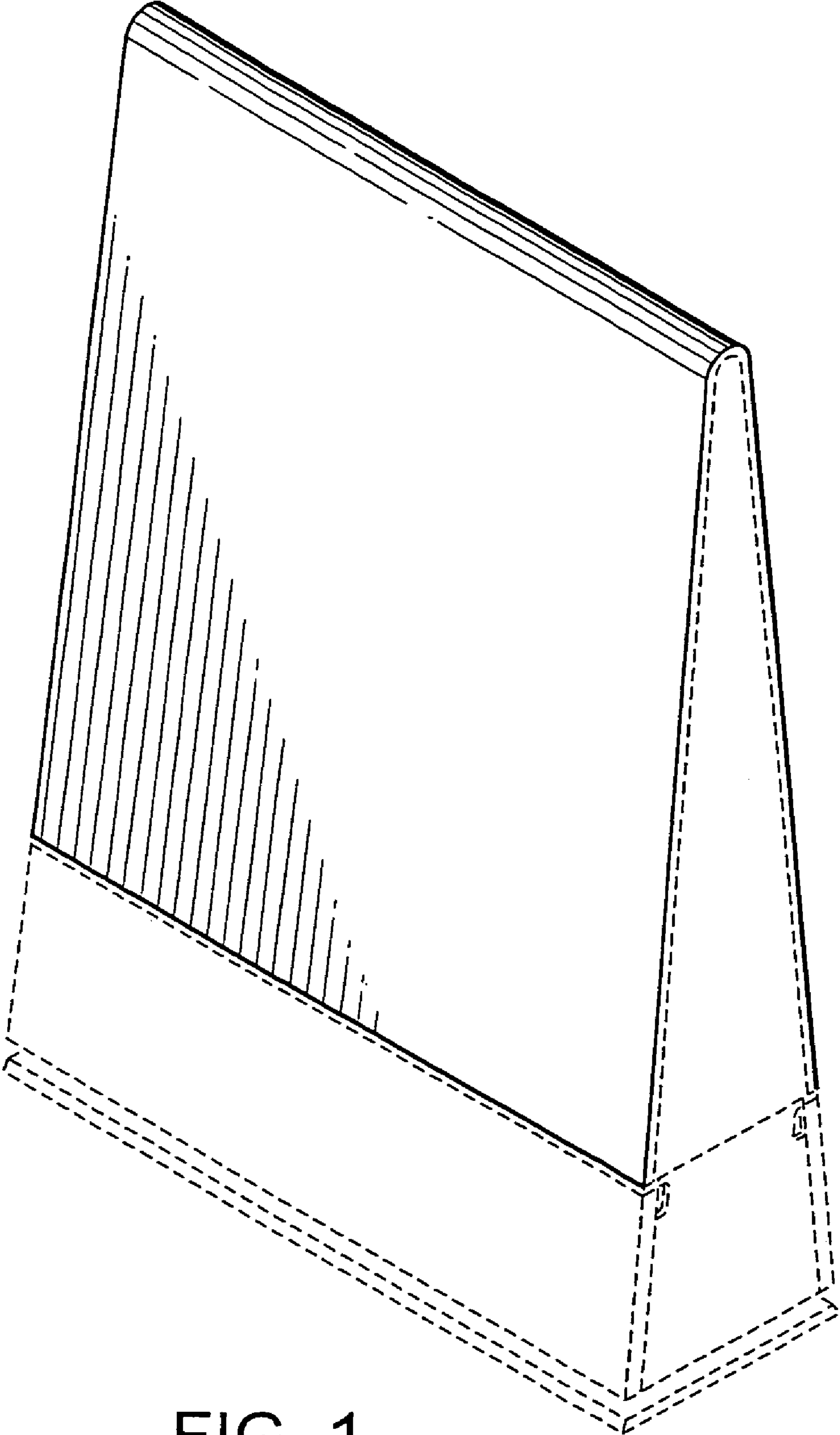


FIG. 1

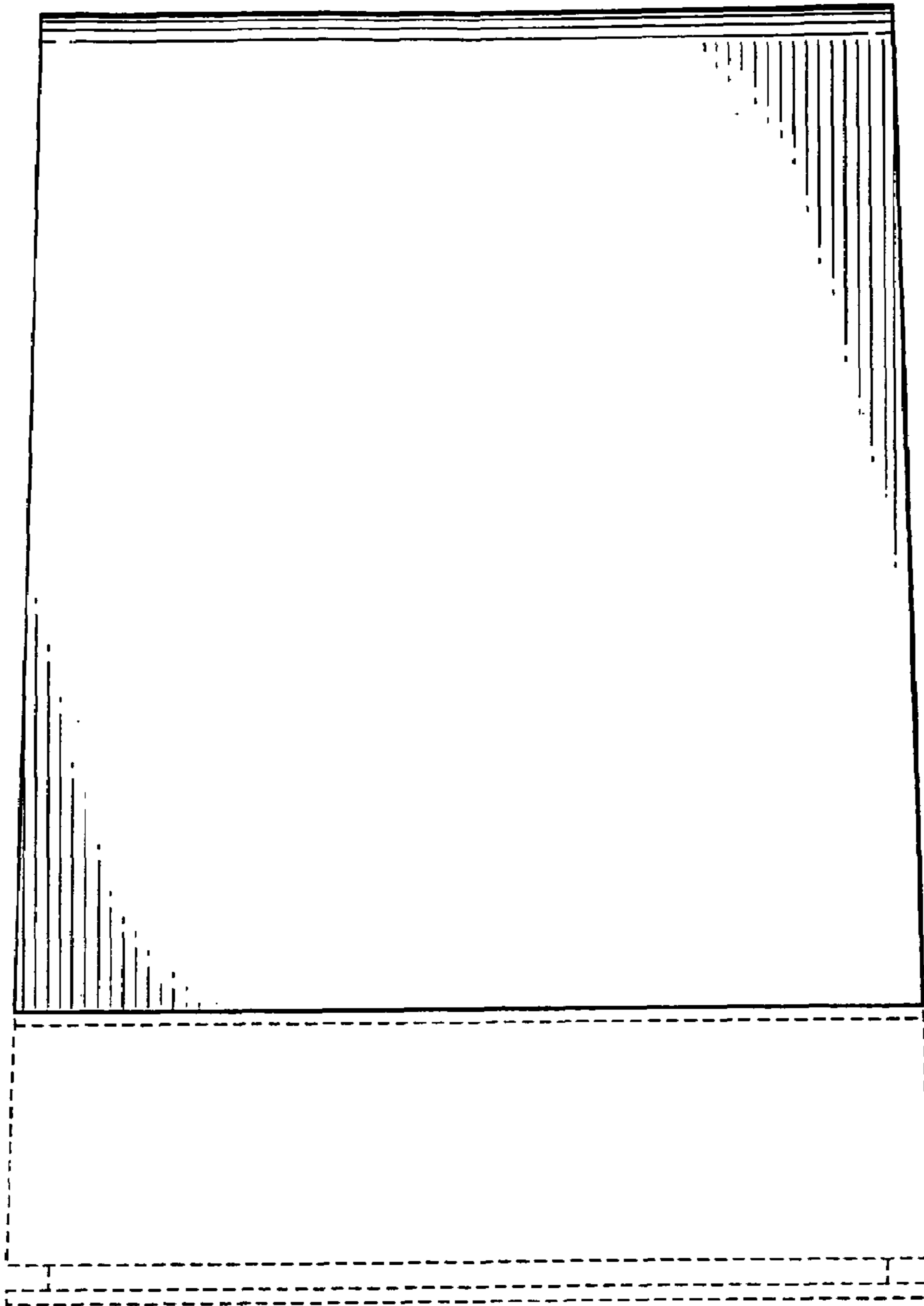


FIG. 2

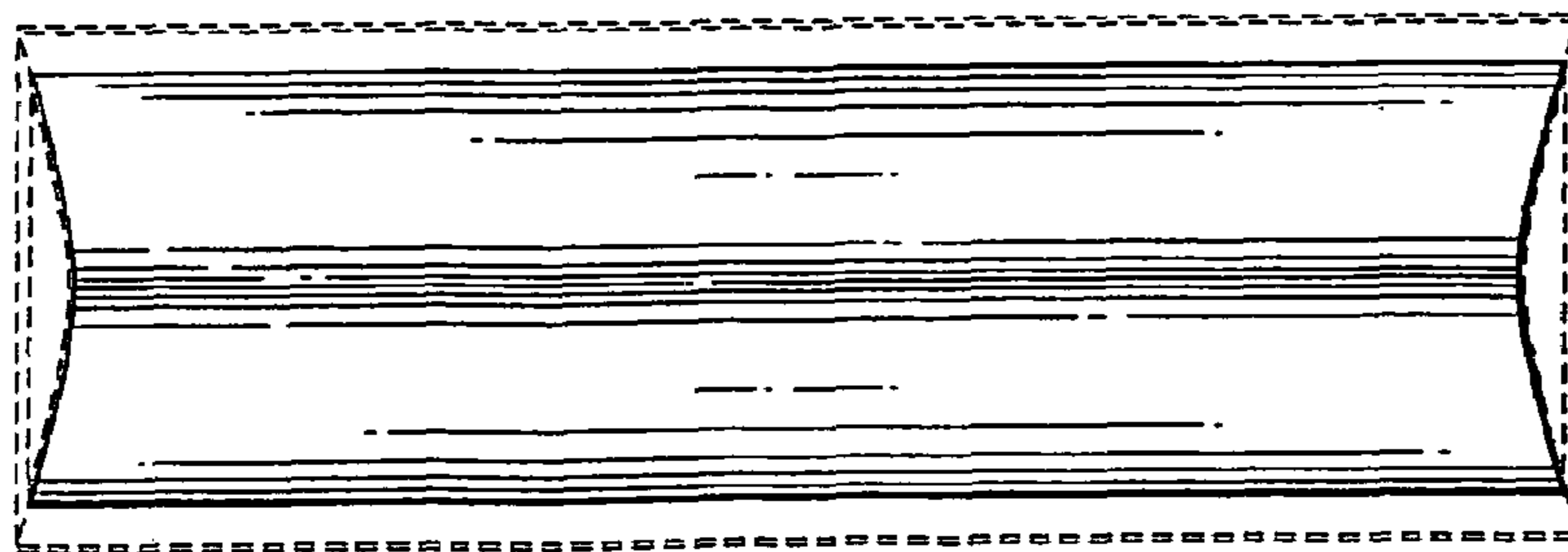


FIG. 3

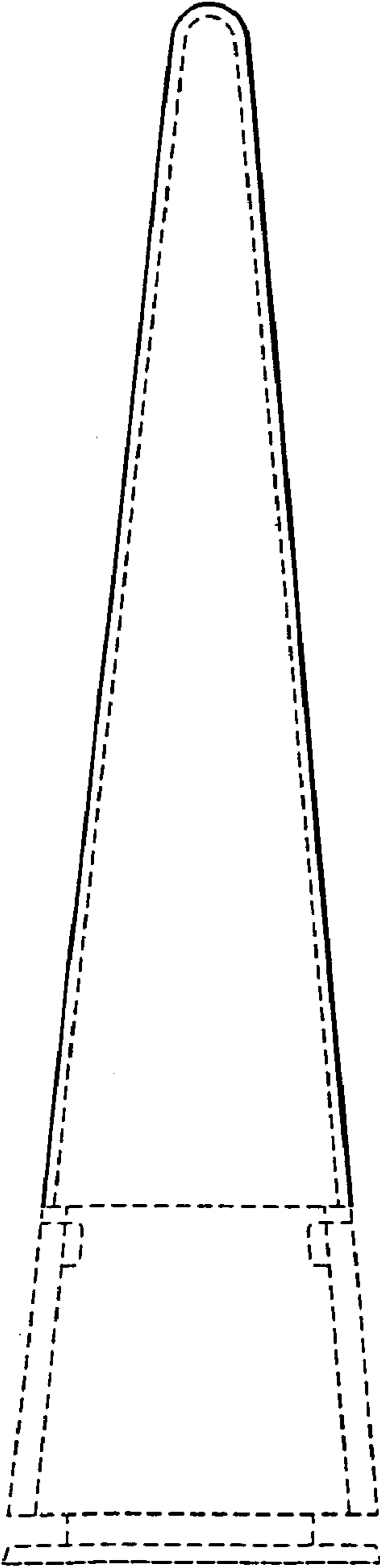


FIG. 4

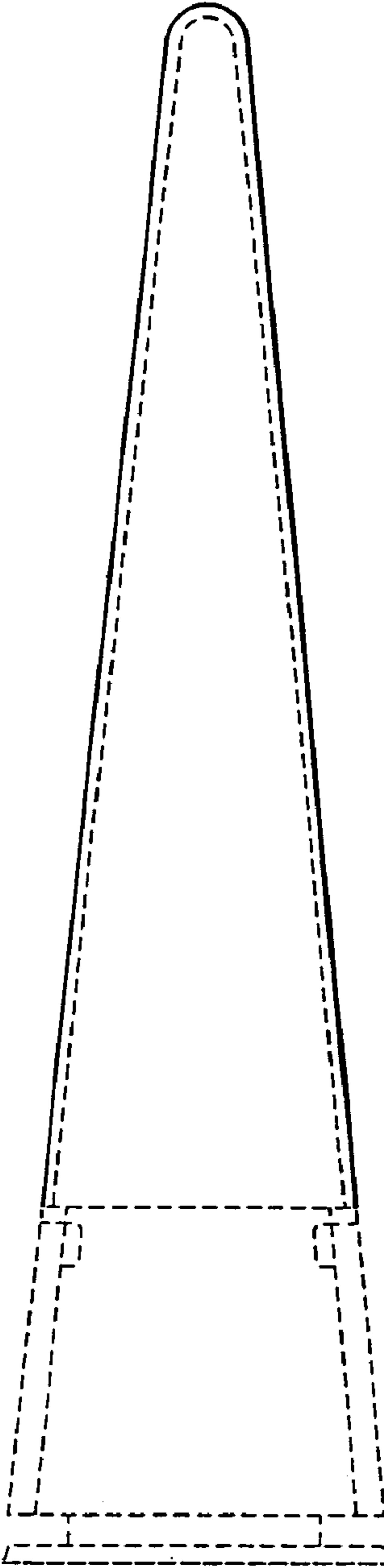


FIG. 5

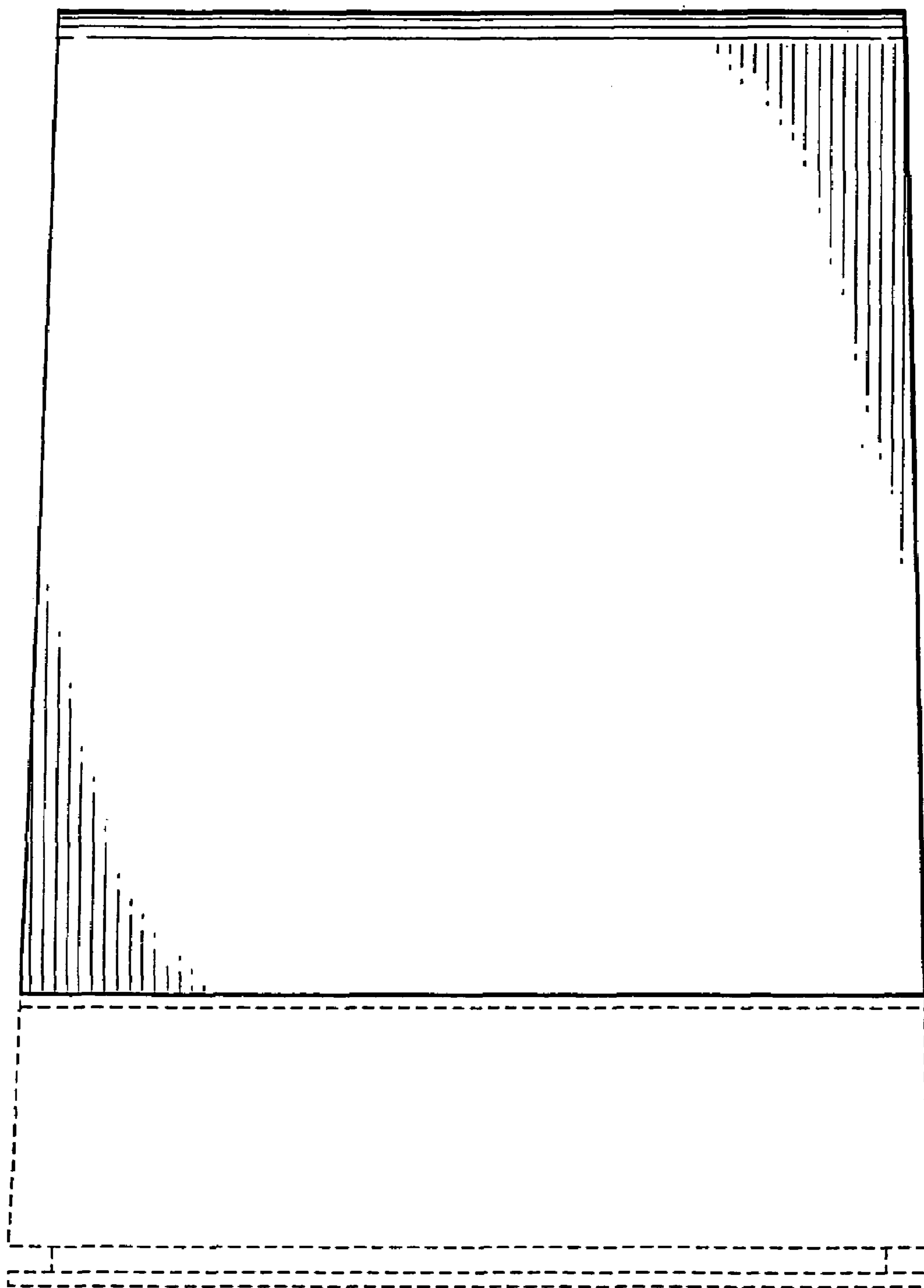


FIG. 6

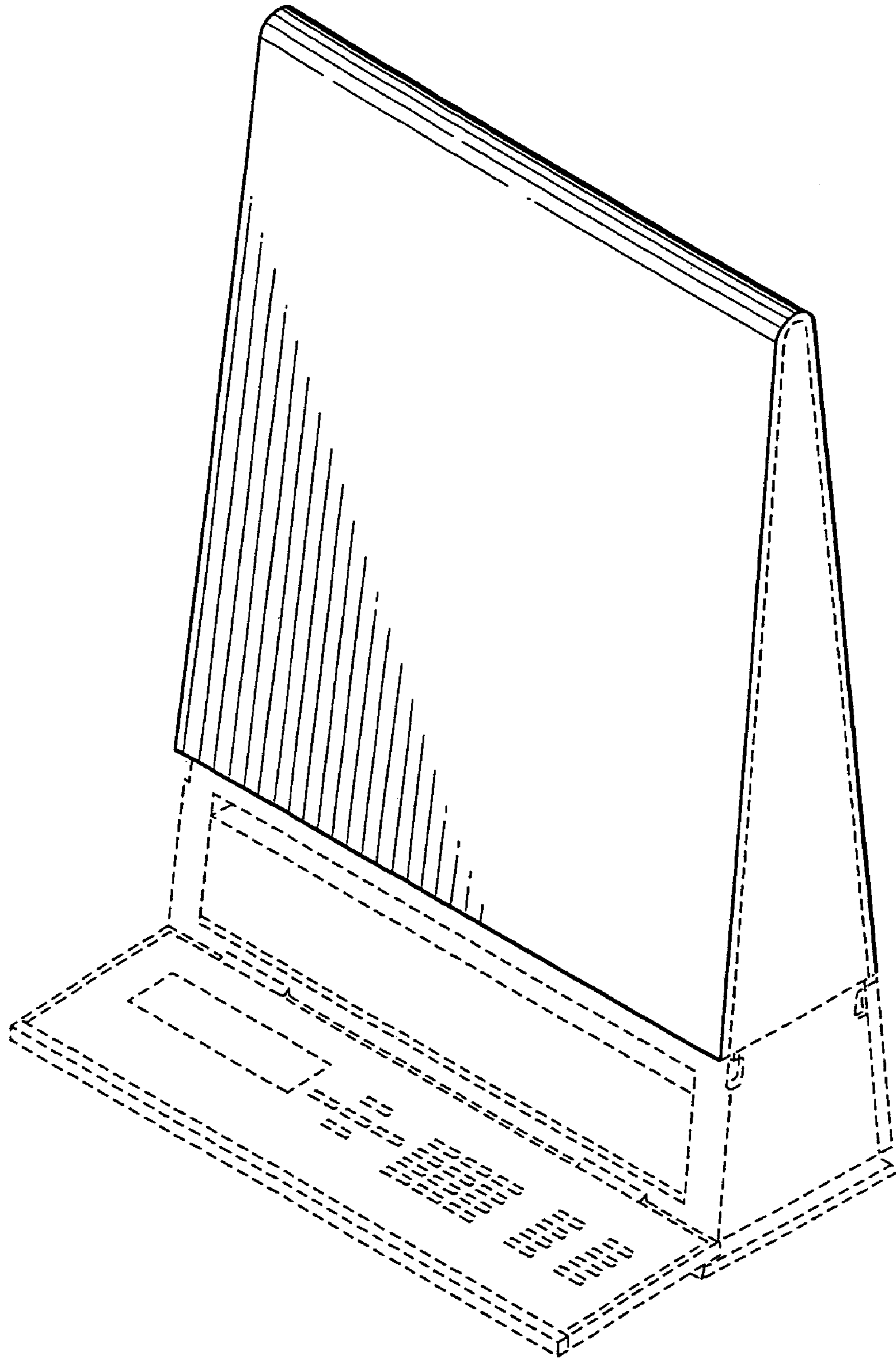


FIG. 7