

US00D545321S

(12) **United States Design Patent**
Frank et al.

(10) **Patent No.:** **US D545,321 S**
(45) **Date of Patent:** **** Jun. 26, 2007**

(54) **DRIVE BRACKET**

(75) Inventors: **Christopher H. Frank**, San Jose, CA (US); **June Lee**, San Francisco, CA (US); **Denise Silverman**, San Carlos, CA (US); **Andrew P. Tosh**, Arlington, MA (US); **Edward J. Cornelius, III**, San Francisco, CA (US); **Sarah T. Aquino**, Newark, CA (US)

(73) Assignee: **Sun Microsystems, Inc.**, Santa Clara, CA (US)

(**) Term: **14 Years**

(21) Appl. No.: **29/238,109**

(22) Filed: **Sep. 9, 2005**

(51) **LOC (8) Cl.** **14-02**

(52) **U.S. Cl.** **D14/439**

(58) **Field of Classification Search** D14/363,
D14/367, 432-35, 438, 439; D13/182; 361/685;
312/223.1-223.2; 439/928.1

See application file for complete search history.

(56) **References Cited**

U.S. PATENT DOCUMENTS

D308,671 S * 6/1990 Aderman et al. D14/445
D316,546 S * 4/1991 Pedinielli et al. D14/242
5,557,499 A * 9/1996 Reiter et al. 361/685
D393,632 S * 4/1998 Sherry D14/435
6,067,225 A * 5/2000 Reznikov et al. 361/685

D447,484 S * 9/2001 Reznikov et al. D14/441
6,351,374 B1 * 2/2002 Sherry 361/685
6,356,441 B1 * 3/2002 Claprod 361/685
6,378,965 B1 * 4/2002 Reznikov et al. 312/332.1
6,487,071 B1 * 11/2002 Tata et al. 361/685
D473,852 S * 4/2003 Frank et al. D13/182
D494,975 S * 8/2004 McClelland et al. D14/435
6,798,650 B2 * 9/2004 Reznikov et al. 361/685
2002/0043908 A1 * 4/2002 Gan 312/233.2
2002/0181198 A1 * 12/2002 White et al. 361/685
2003/0184964 A1 * 10/2003 Neukam et al. 361/685
2004/0100761 A1 * 5/2004 Liu 361/685

* cited by examiner

Primary Examiner—M. H. Tung

Assistant Examiner—Susan Moon Lee

(74) *Attorney, Agent, or Firm*—Osha Liang LLP

(57) **CLAIM**

The ornamental design for a drive bracket, as shown and described.

DESCRIPTION

FIG. 1 is a perspective view of a drive bracket according to the present invention;

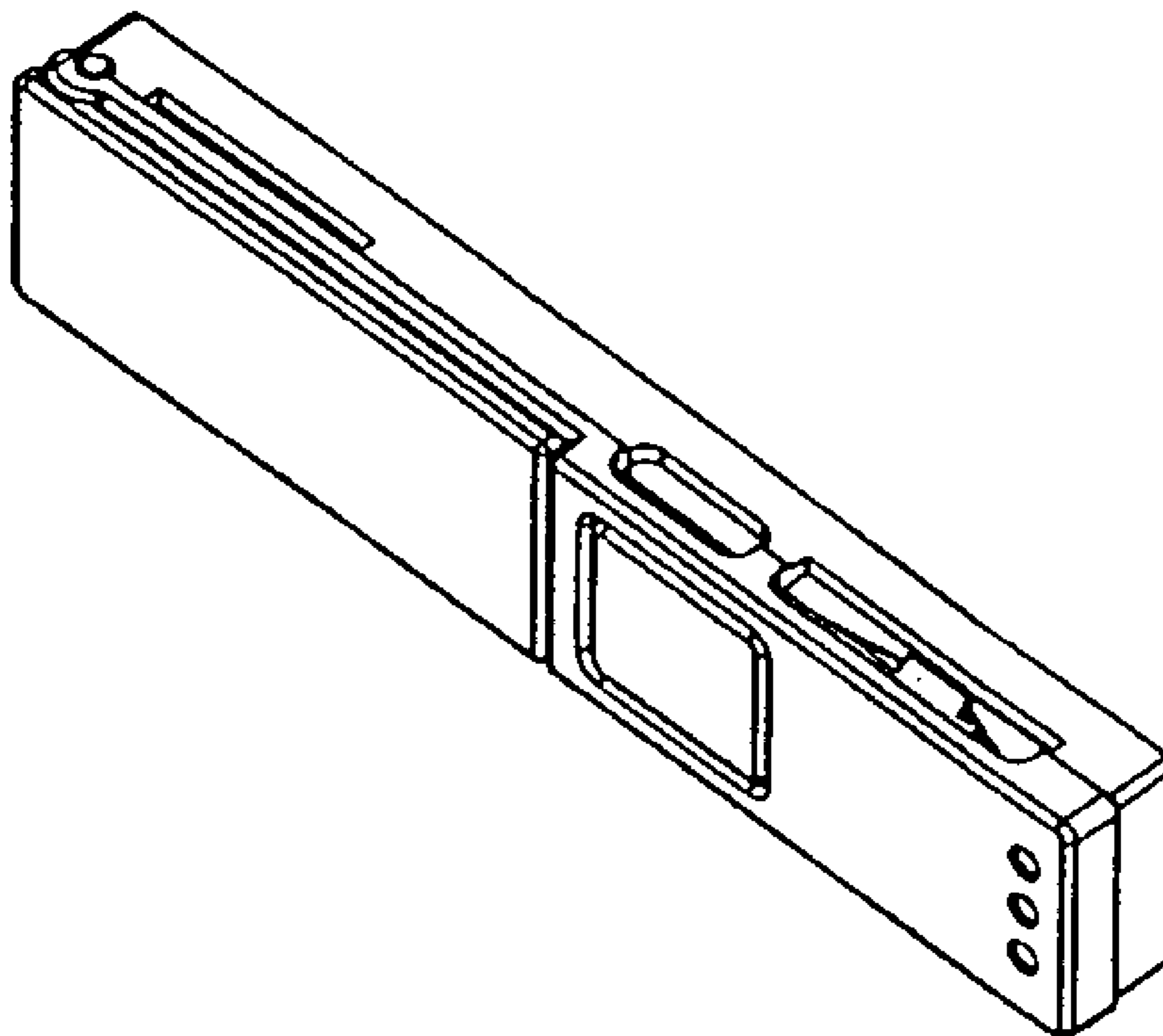
FIG. 2 is a front view thereof;

FIG. 3 is a top view thereof;

FIG. 4 is a side view thereof; and,

FIG. 5 is the opposite side view thereof.

1 Claim, 2 Drawing Sheets



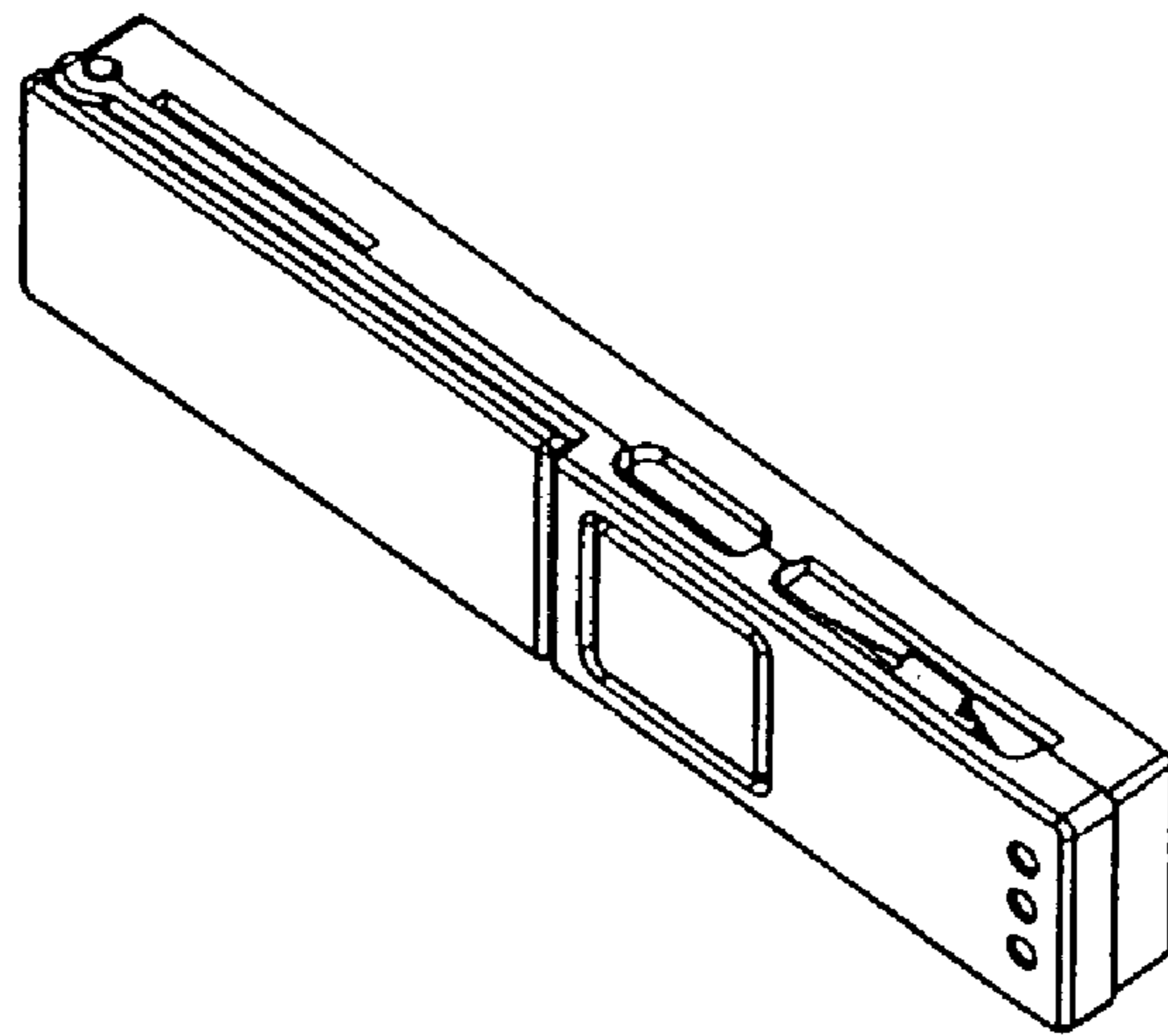


Fig. 1

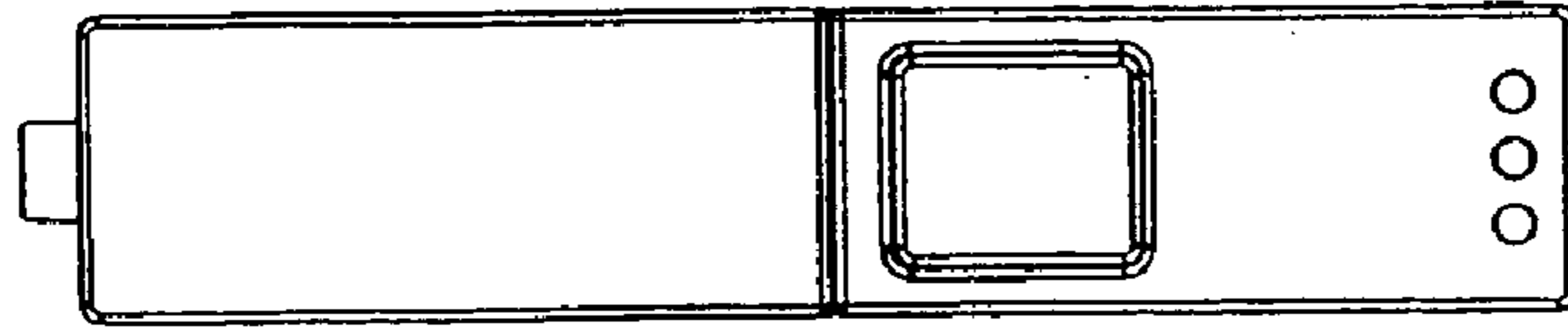


Fig. 2

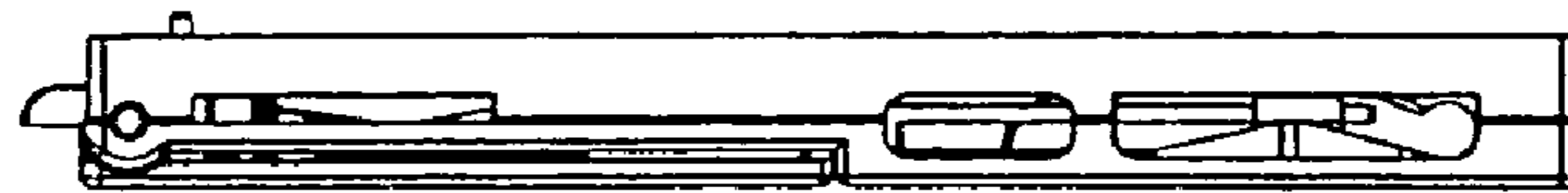


Fig. 3

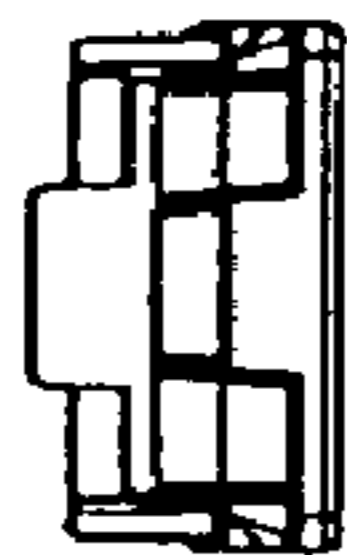


Fig. 4

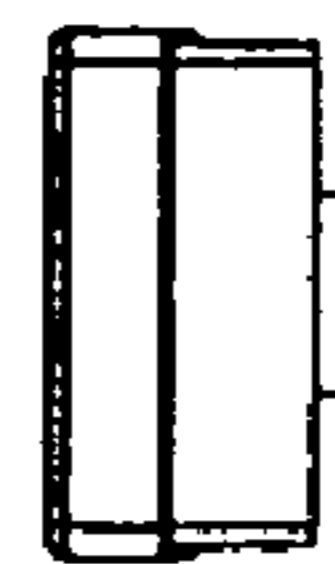


Fig. 5