

US00D545309S

(12) **United States Design Patent**  
**Noda et al.**

(10) **Patent No.:** **US D545,309 S**  
(45) **Date of Patent:** **\*\* Jun. 26, 2007**

(54) **COMPUTER**

(75) Inventors: **Hiroyuki Noda**, Musashino (JP); **Yoko Sato**, Fuchu (JP); **Tadahiro Yamaguchi**, Tama (JP); **Koji Suso**, Kokubunji (JP); **Shinichiro Aikawa**, Yokohama (JP)

(73) Assignee: **Hitachi, Ltd.**, Tokyo (JP)

(\*\*) Term: **14 Years**

(21) Appl. No.: **29/245,395**

(22) Filed: **Dec. 23, 2005**

(30) **Foreign Application Priority Data**

Jun. 27, 2005 (JP) ..... 2005-018546

(51) **LOC (8) Cl.** ..... **14-02**

(52) **U.S. Cl.** ..... **D14/349**

(58) **Field of Classification Search** ..... D14/349-356;  
D13/162, 184, 199; 312/223.2; 361/680-686,  
361/690-696; 369/34.01, 36.01  
See application file for complete search history.

(56) **References Cited**

**U.S. PATENT DOCUMENTS**

D369,030 S \* 4/1996 Lechleiter et al. .... D6/396

5,934,774 A \* 8/1999 Wu et al. .... 312/223.2  
5,992,955 A \* 11/1999 Yang ..... 312/265.6  
D452,239 S \* 12/2001 Kitayama et al. .... D14/349

\* cited by examiner

*Primary Examiner*—Freda S. Nunn

(74) *Attorney, Agent, or Firm*—Antonelli, Terry, Stout & Kraus, LLP.

(57) **CLAIM**

The ornamental design for computer, as shown.

**DESCRIPTION**

FIG. 1 is a front, top and right side perspective view of a computer showing our new design.

FIG. 2 is a front elevational view thereof;

FIG. 3 is a rear elevational view thereof;

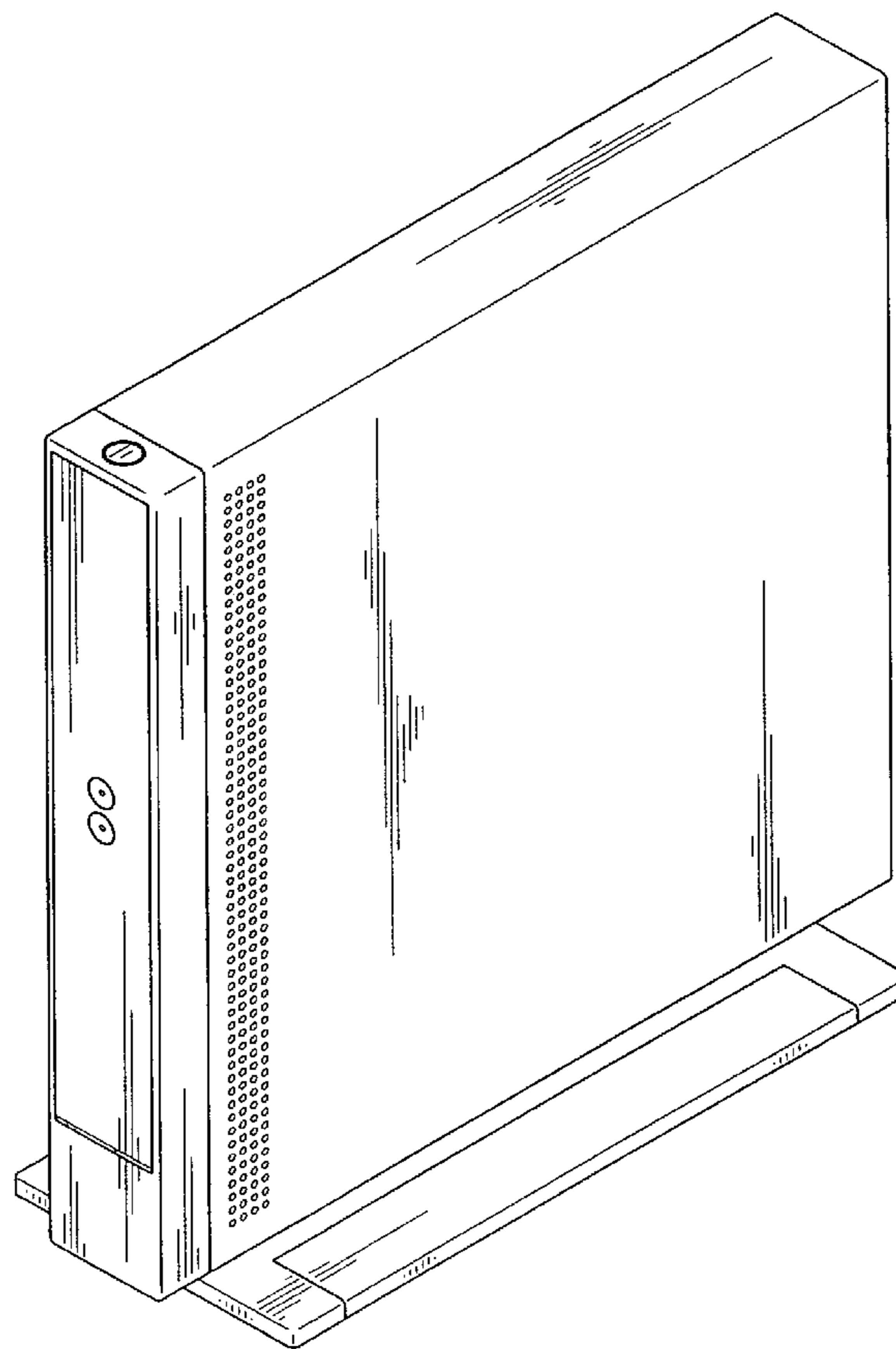
FIG. 4 is a left side elevational view thereof;

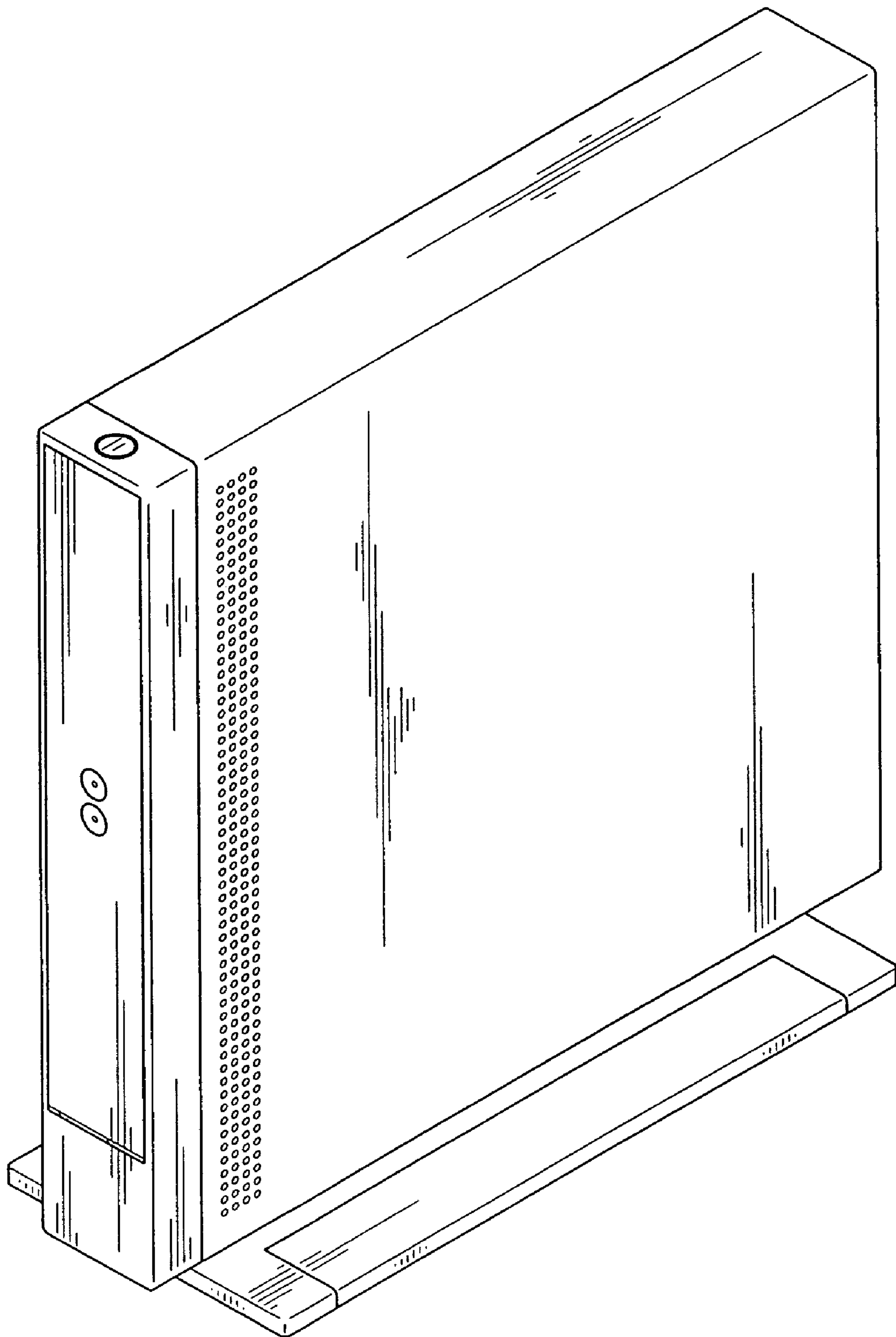
FIG. 5 is a right side elevational view thereof;

FIG. 6 is a top plan view thereof; and,

FIG. 7 is a bottom plan view thereof.

**1 Claim, 5 Drawing Sheets**





*FIG. 1*

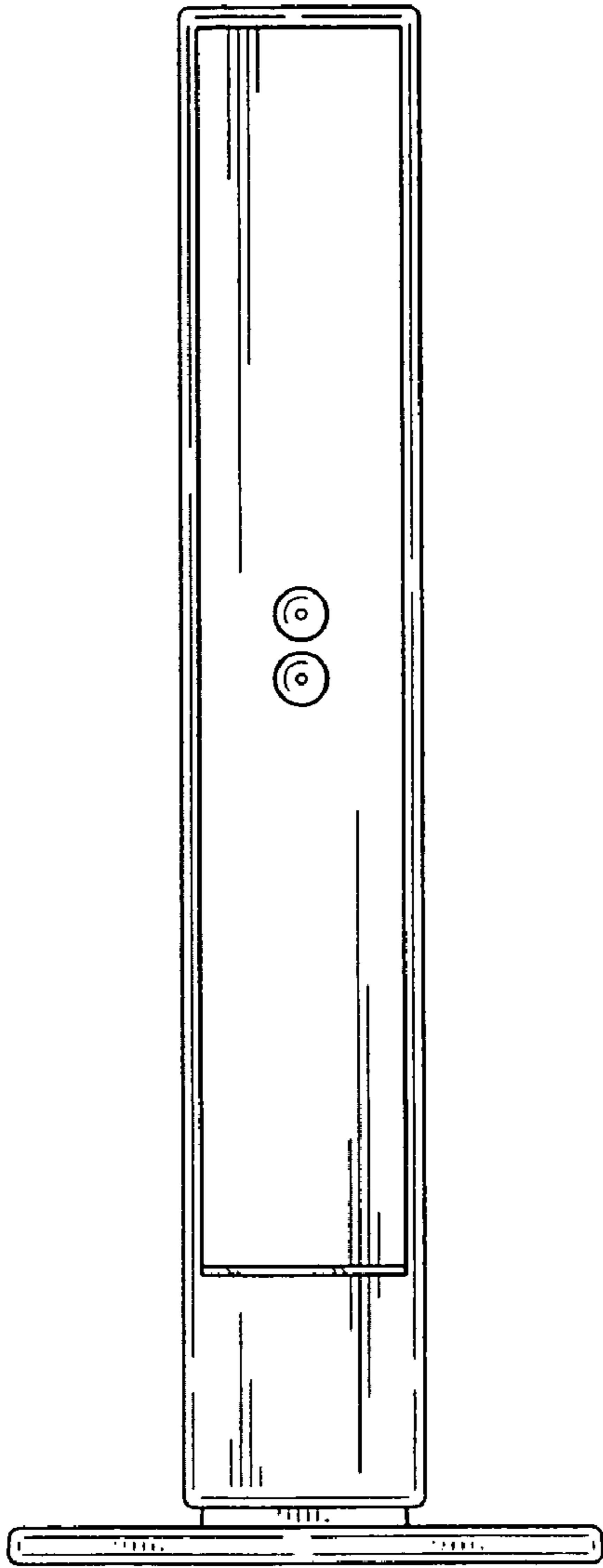


FIG. 2

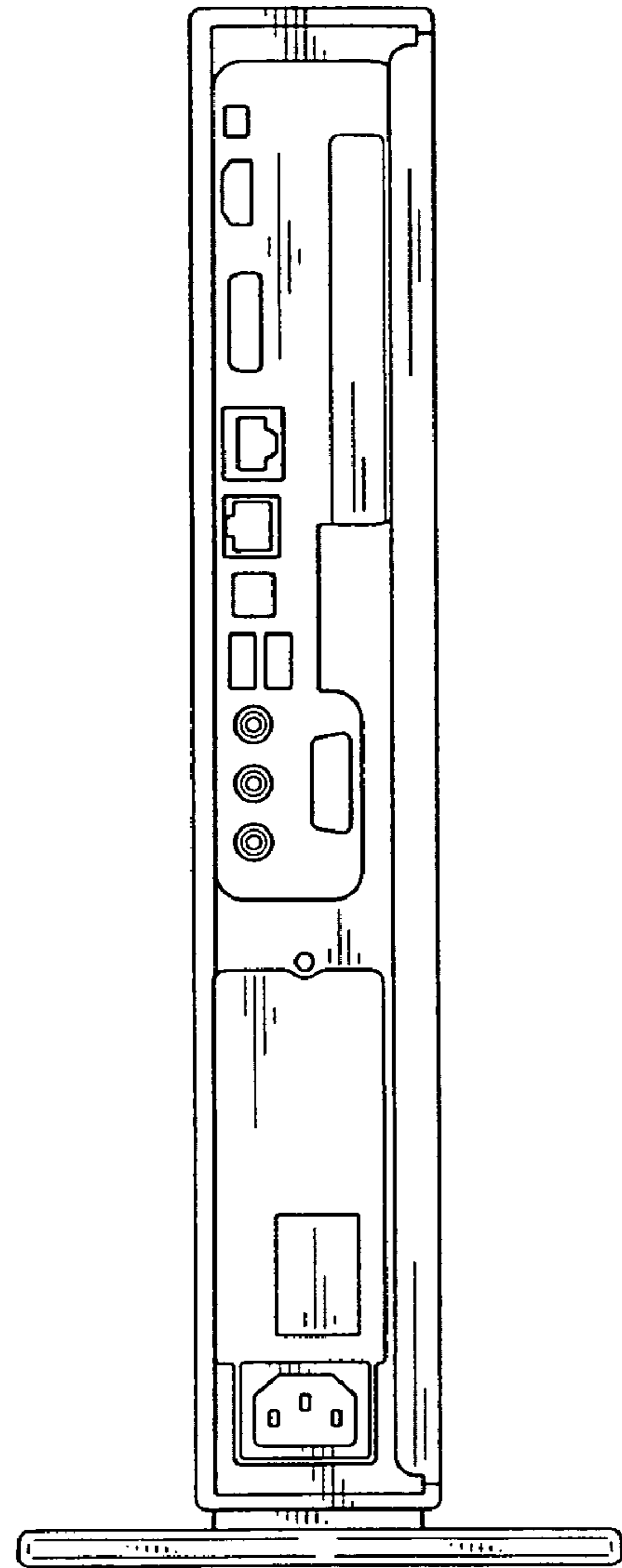


FIG. 3

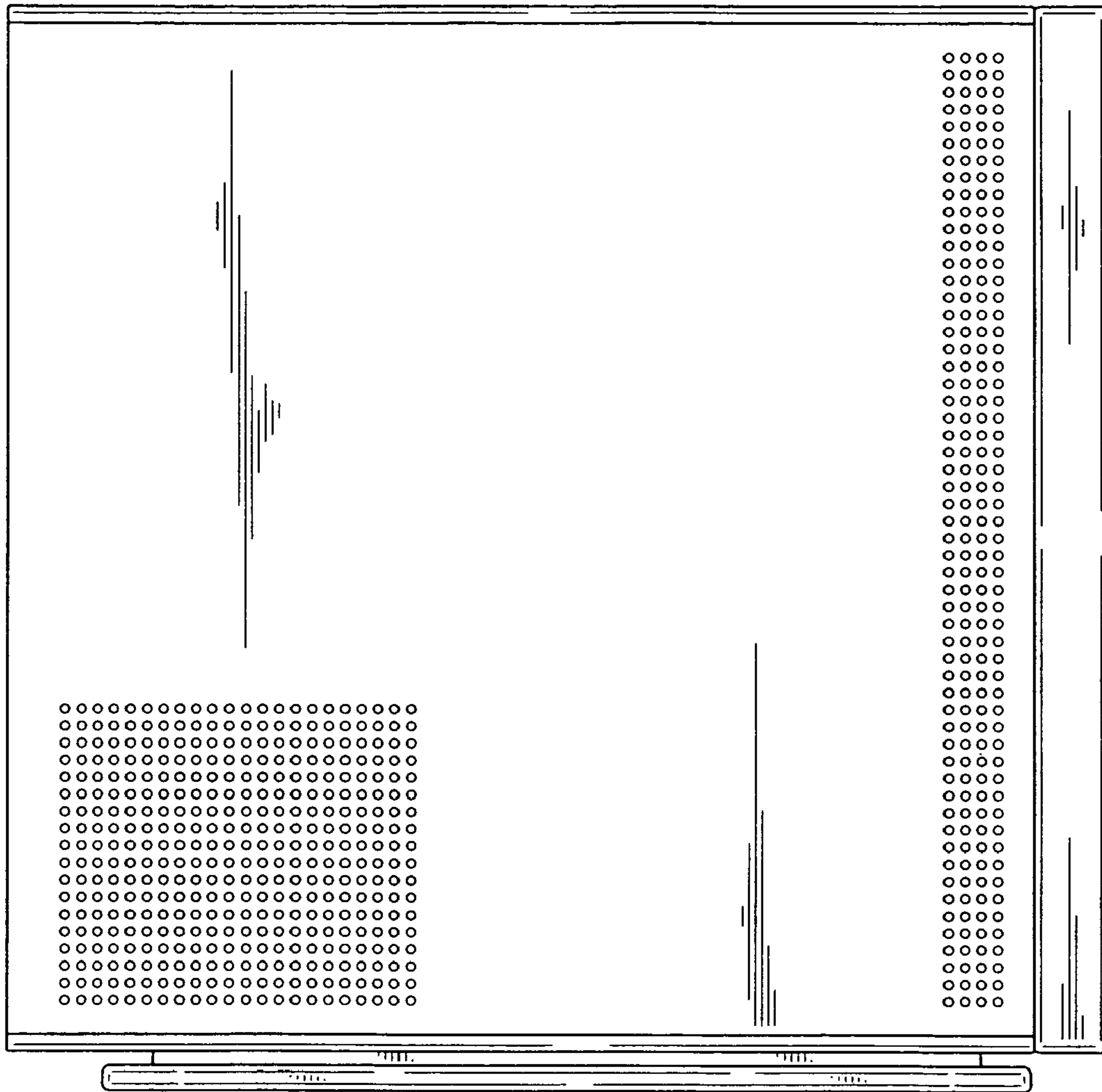
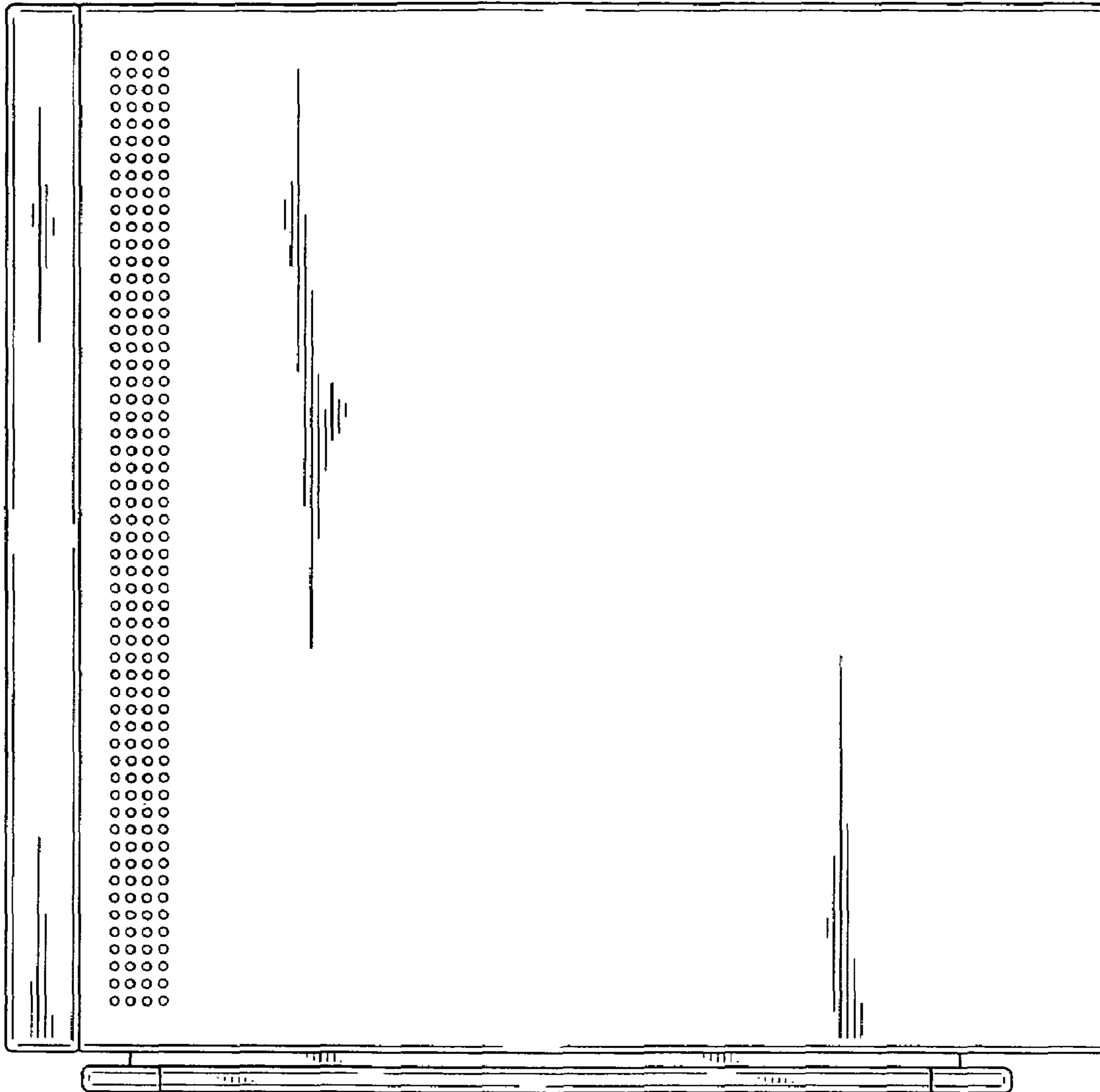
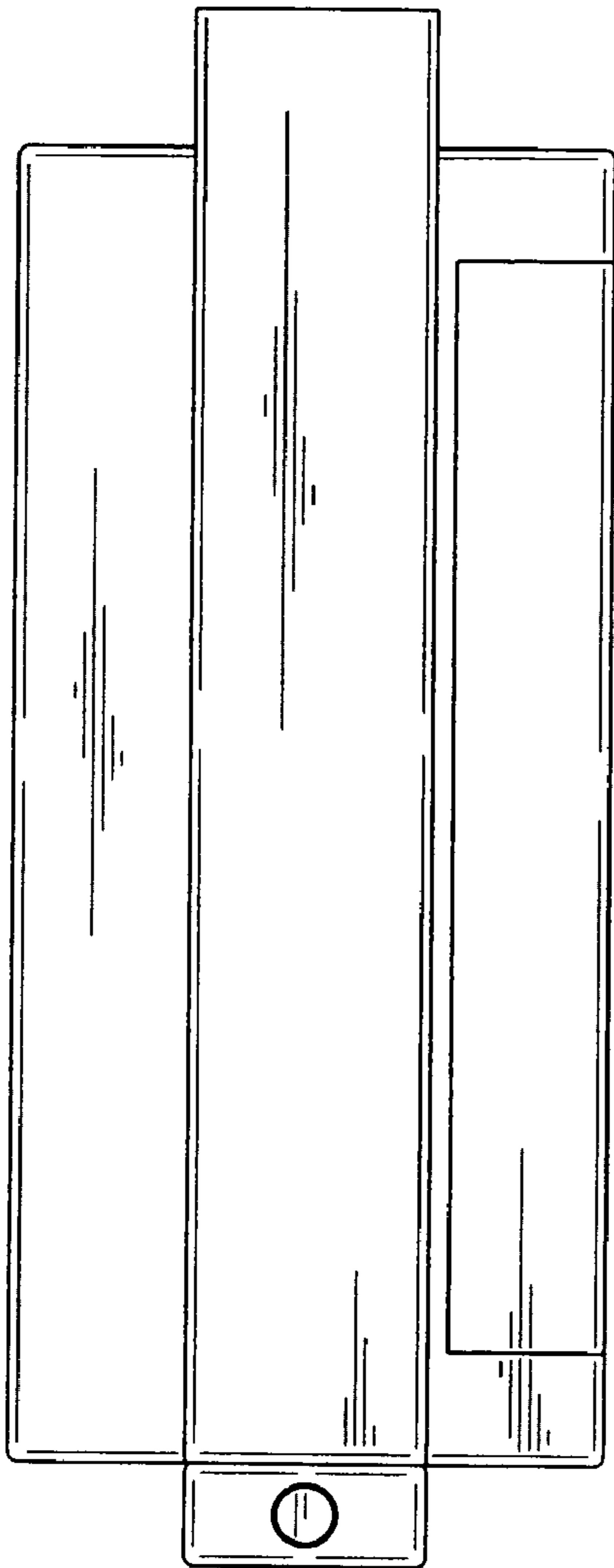


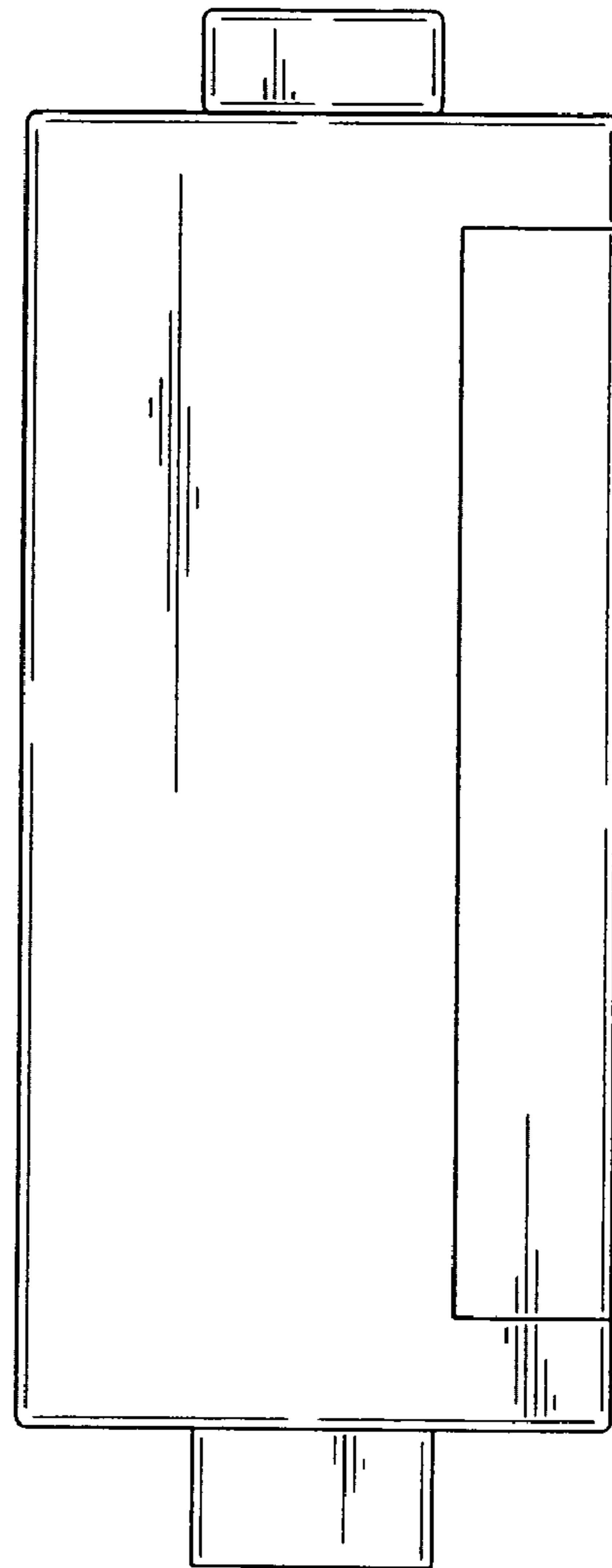
FIG. 4



*FIG. 5*



*FIG. 6*



*FIG. 7*