

US00D545300S

(12) **United States Design Patent**
Hong et al.

(10) **Patent No.:** **US D545,300 S**

(45) **Date of Patent:** **** Jun. 26, 2007**

(54) **SPEAKER**

(75) Inventors: **Sung-Hoon Hong**, Suwon-si (KR);
Beom-Ku Han, Seoul (KR);
Chang-Hwan Hwang, Goyang-si (KR)

(73) Assignee: **Samsung Electronics Co., Ltd.**,
Suwon-Si (KR)

(**) Term: **14 Years**

(21) Appl. No.: **29/260,505**

(22) Filed: **May 26, 2006**

(30) **Foreign Application Priority Data**

Mar. 9, 2006 (KR) 30-2006-0008578

(51) **LOC (8) Cl.** **14-01**

(52) **U.S. Cl.** **D14/214**

(58) **Field of Classification Search** D14/204,
D14/209-216; 181/143-144, 147-148, 150,
181/157, 198-199, 151, 153; 381/300-302,
381/306, 333, 345, 361-364, 386-388, 332,
381/336

See application file for complete search history.

(56) **References Cited**

U.S. PATENT DOCUMENTS

D394,064 S * 5/1998 Freadman D14/214

D396,717 S * 8/1998 Sidman et al. D14/162
D402,657 S * 12/1998 Renk D14/214
D436,096 S * 1/2001 Nagele et al. D14/214
D485,825 S * 1/2004 Yoneda D14/215
D511,339 S * 11/2005 Tsuge D14/214

* cited by examiner

Primary Examiner—Nanda Bondade

(74) *Attorney, Agent, or Firm*—Staas & Halsey LLP

(57) **CLAIM**

The ornamental design for the speaker, as shown and described.

DESCRIPTION

FIG. 1 is a perspective view of the speaker showing our design;

FIG. 2 is a front view thereof;

FIG. 3 is a rear view thereof;

FIG. 4 is a left side view thereof;

FIG. 5 is a right side view thereof;

FIG. 6 is a top plan view thereof; and,

FIG. 7 is a bottom plan view thereof.

1 Claim, 3 Drawing Sheets

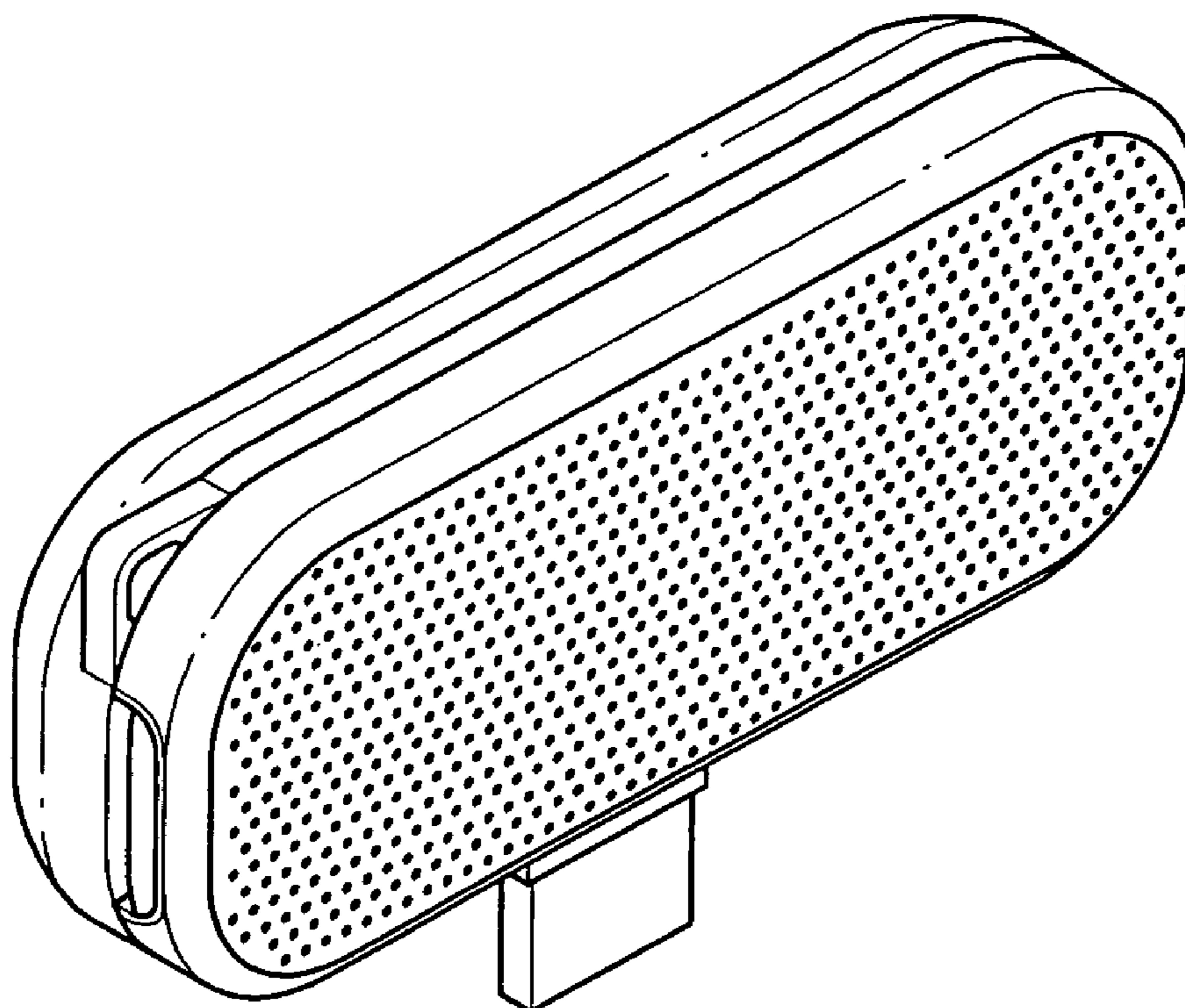


FIG. 1

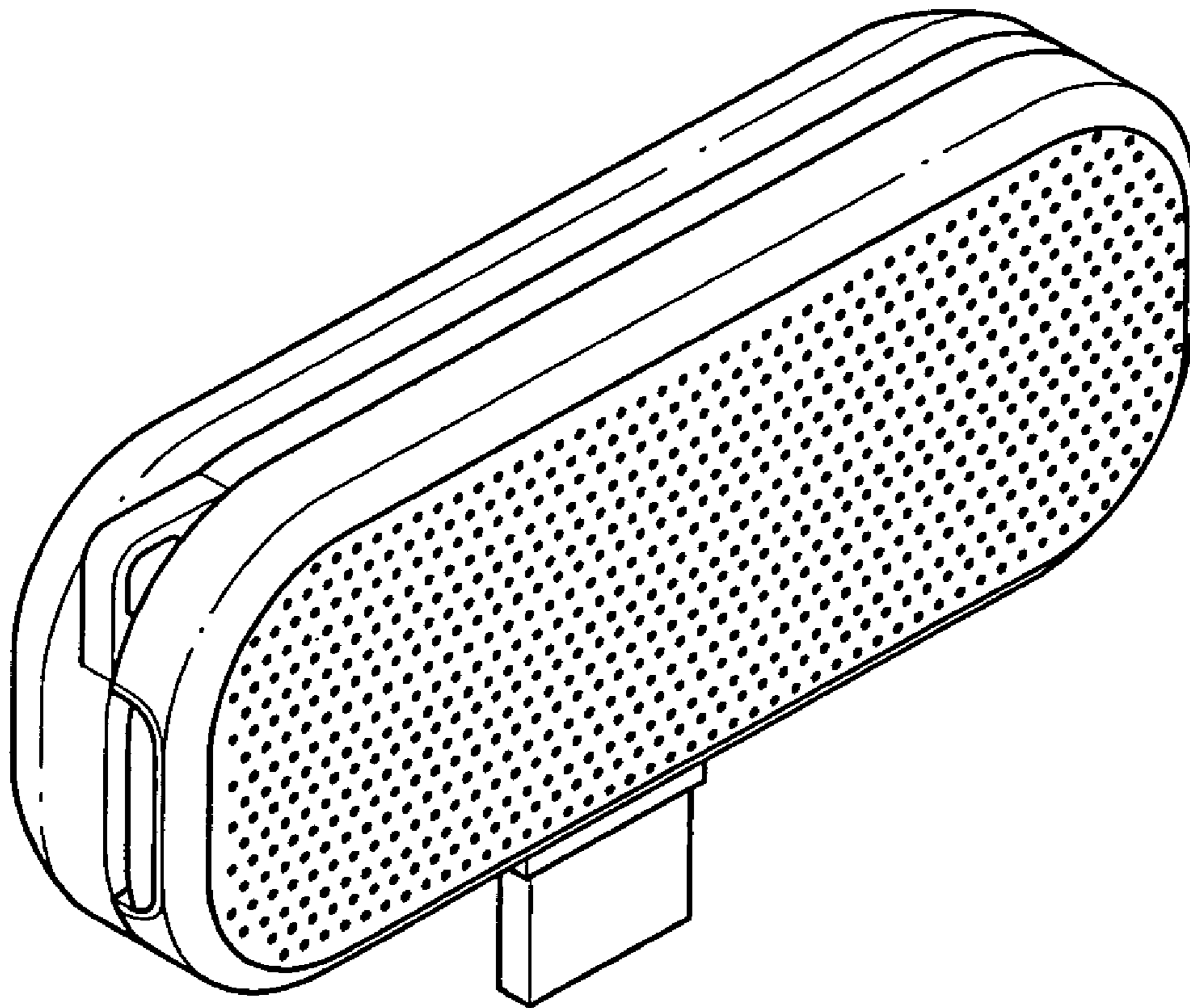


FIG. 2

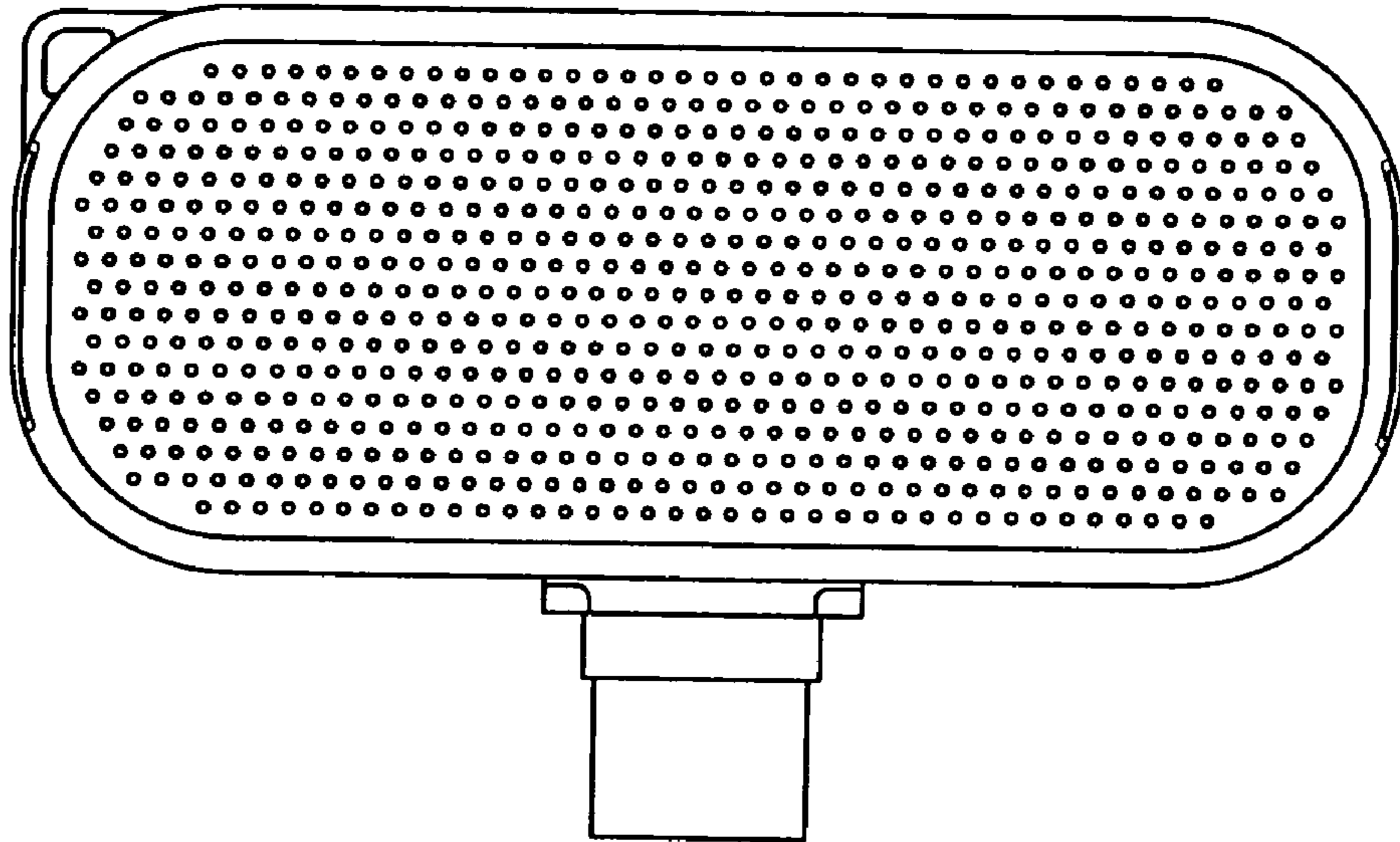


FIG. 3

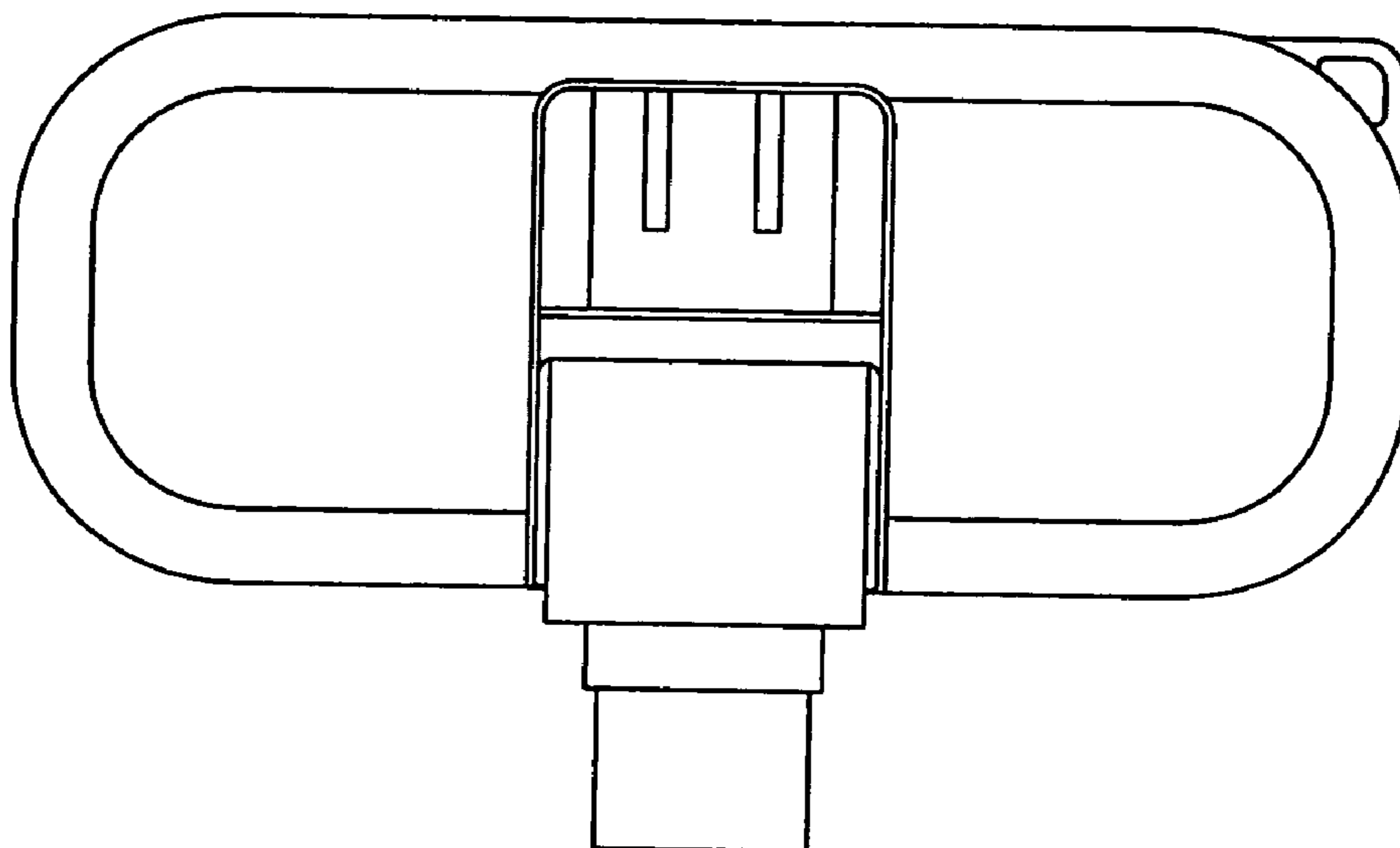


FIG. 4

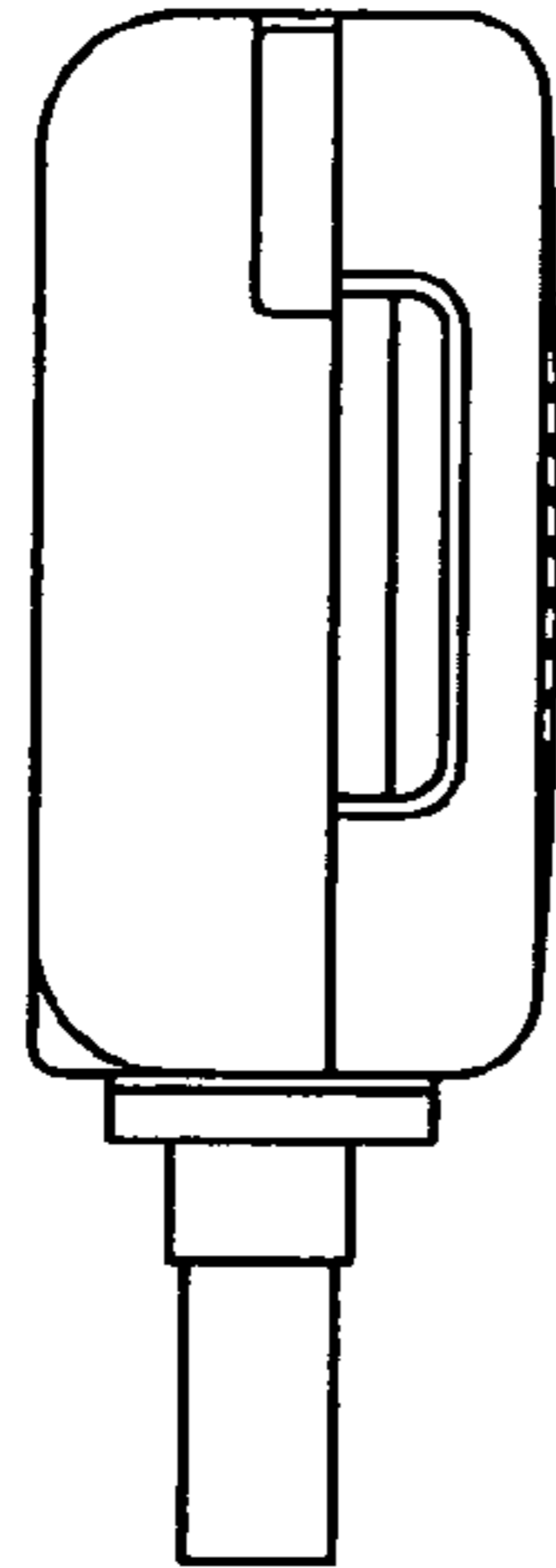


FIG. 5

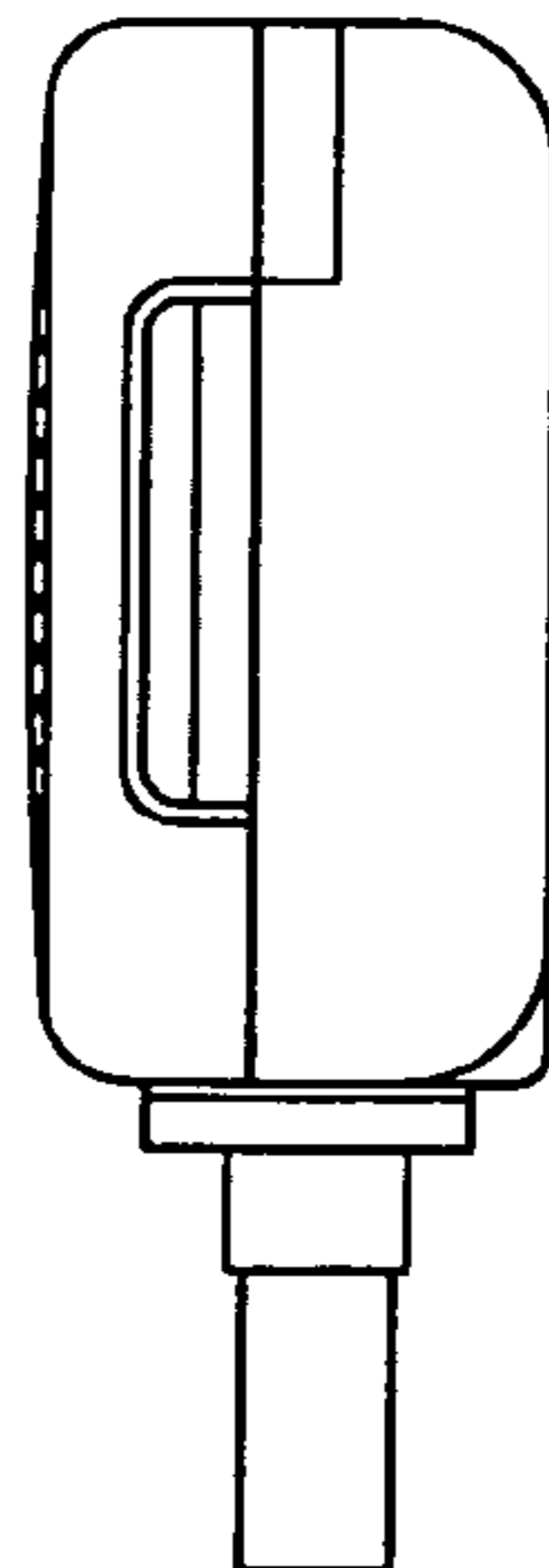


FIG. 6

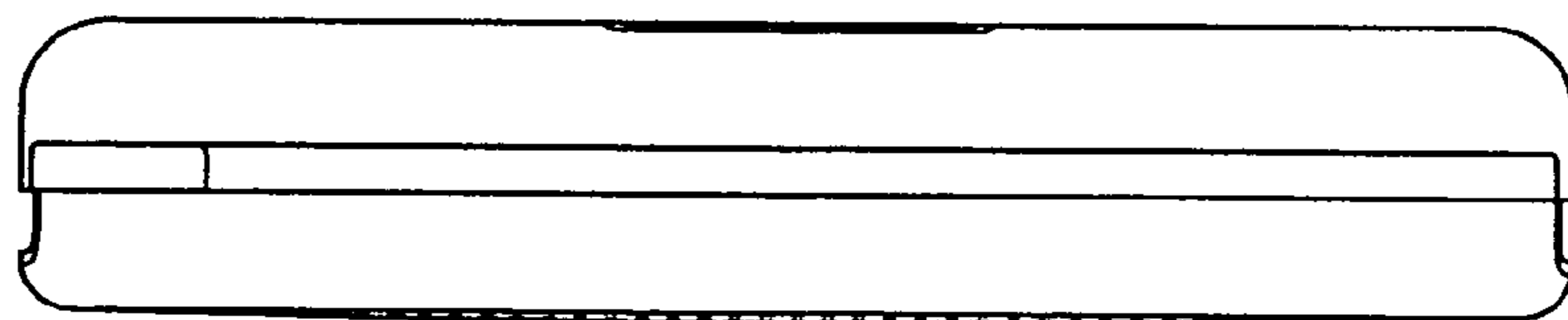


FIG. 7

