



US00D545282S

(12) **United States Design Patent**  
**Kita**

(10) **Patent No.:** **US D545,282 S**  
(45) **Date of Patent:** **\*\* Jun. 26, 2007**

(54) **TELEVISION SET**

(75) Inventor: **Toshiyuki Kita**, Osaka (JP)

(73) Assignee: **Sharp Kabushiki Kaisha**, Osaka (JP)

(\*\*) Term: **14 Years**

(21) Appl. No.: **29/261,801**

(22) Filed: **Jun. 21, 2006**

(30) **Foreign Application Priority Data**

Dec. 27, 2005 (JP) ..... 2005-038214

(51) **LOC (8) Cl.** ..... **14-03**

(52) **U.S. Cl.** ..... **D14/126**

(58) **Field of Classification Search** ..... D14/125-134,  
D14/239, 371, 136, 374-377; 312/7.2; 348/836,  
348/838, 180, 184, 325, 739; 341/12; 248/917-924,  
248/465; 345/104, 133, 156, 168, 87, 173;  
720/605, 669, 600, 655; 369/99, 197; 455/344-347  
See application file for complete search history.

(56) **References Cited**

**U.S. PATENT DOCUMENTS**

- D337,113 S 7/1993 Saito
- D342,497 S 12/1993 Saito et al.
- D342,501 S 12/1993 Saeki et al.
- D351,155 S 10/1994 Usami et al.
- D351,156 S 10/1994 Usami et al.
- D357,244 S 4/1995 Usami et al.
- D357,245 S 4/1995 Usami et al.
- D357,472 S 4/1995 Usami et al.
- D369,596 S 5/1996 Akiyama et al.
- D372,026 S 7/1996 Akiyama et al.
- D373,583 S 9/1996 Akiyama et al.
- D427,169 S 6/2000 Saeki et al.
- D429,227 S 8/2000 Shimizu
- D431,537 S 10/2000 Saeki et al.
- D438,848 S 3/2001 Kita
- D439,224 S 3/2001 Kita
- D439,225 S 3/2001 Kita
- D453,747 S 2/2002 Kita
- D453,748 S 2/2002 Kita

- D456,370 S 4/2002 Kita
- D458,910 S 6/2002 Kita
- D483,020 S \* 12/2003 Nagao et al. .... D14/126
- D492,269 S 6/2004 Kita
- D496,915 S 10/2004 Kita
- D497,351 S 10/2004 Kita
- D497,599 S 10/2004 Kita
- D499,076 S 11/2004 Kita
- D501,186 S 1/2005 Kita
- D501,654 S 2/2005 Kita
- D502,451 S 3/2005 Kita
- D502,931 S 3/2005 Kita
- D505,123 S 5/2005 Kita
- D505,731 S 5/2005 Kita
- D512,385 S 12/2005 Kita
- D512,386 S 12/2005 Kita
- D512,387 S 12/2005 Kita

**OTHER PUBLICATIONS**

Fuji et al., entitled, "Television Set," U.S. Appl. No. 29/228,974, filed May 2, 2005, pending.

(Continued)

*Primary Examiner*—Raphael Barkai  
(74) *Attorney, Agent, or Firm*—Nixon & Vanderhye, PC

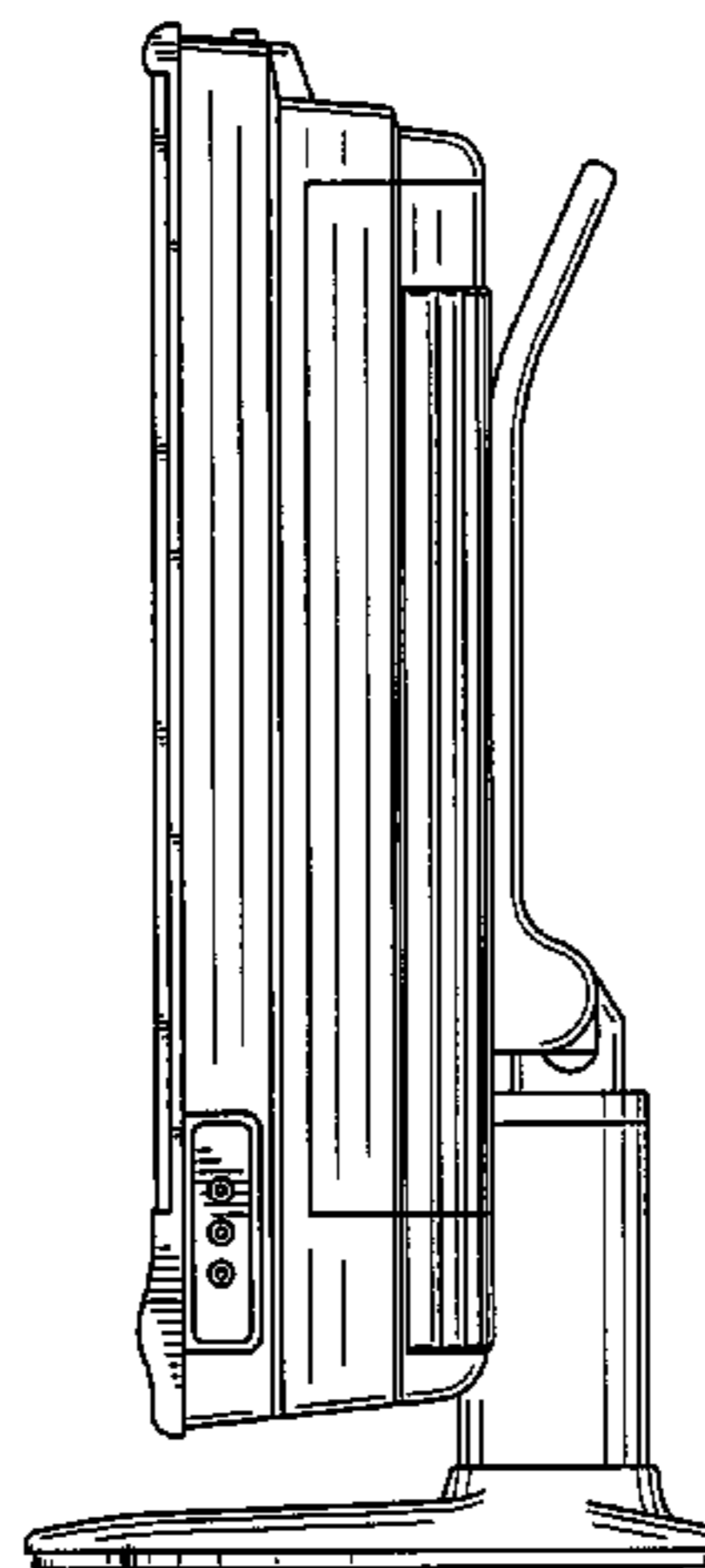
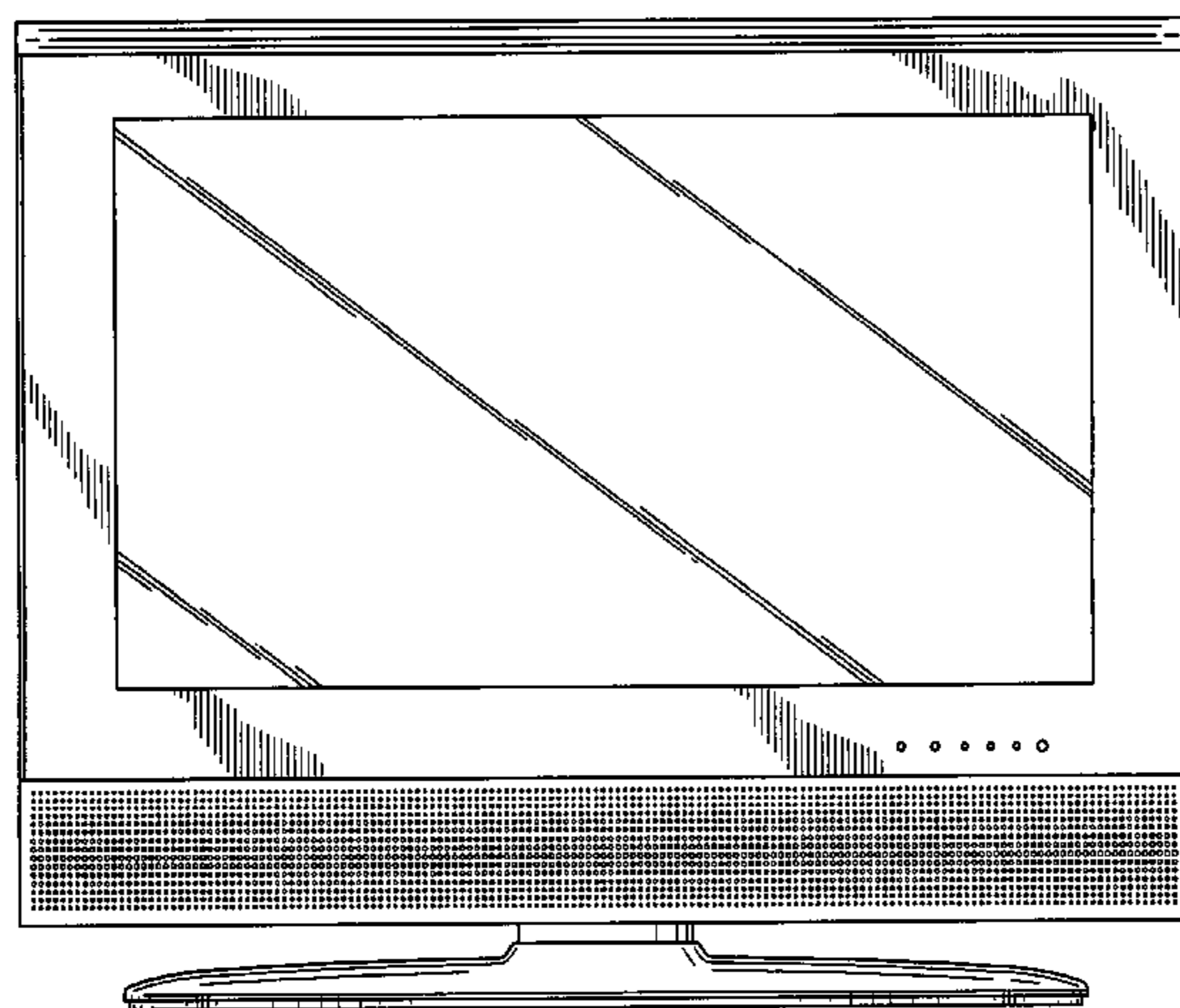
(57) **CLAIM**

The ornamental design for an "television set," as shown and described.

**DESCRIPTION**

FIG. 1 is a perspective view of a television set in accordance with my new design;  
FIG. 2 is a front elevation view thereof;  
FIG. 3 is a rear elevation view thereof;  
FIG. 4 is a top plan view thereof;  
FIG. 5 is a bottom plan view thereof;  
FIG. 6 is a right side elevational view thereof;  
FIG. 7 is a left side elevational view thereof; and,  
FIG. 8 is a rear perspective view thereof.

**1 Claim, 7 Drawing Sheets**



OTHER PUBLICATIONS

Kita, entitled, "Television Set," U.S. Appl. No. 29/229,686, filed May 11, 2005, pending.  
Fuji et al., entitled, "Television Set," U.S. Appl. No. 29/228,975, filed May 2, 2005, pending.  
Kita, entitled, "Television Set," U.S. Appl. No. 29/232,697, filed Jun. 23, 2005, pending.  
Kita, entitled, "Television Set," U.S. Appl. No. 29/232,616, filed Jun. 22, 2005, pending.  
Kita, entitled, "Television Set," U.S. Appl. No. 29/232,622, filed Jun. 22, 2005, pending.  
Kita, entitled, "Television Set," U.S. Appl. No. 29/232,620, filed Jun. 22, 2005, pending.  
Kita, entitled, "Television Set," U.S. Appl. No. 29/232,607, filed Jun. 22, 2005, pending.  
Kita, entitled, "Television Set," U.S. Appl. No. 29/232,621, filed Jun. 22, 2005, pending.  
Kita, entitled, "Television Set," U.S. Appl. No. 29/232,614, filed Jun. 22, 2005, pending.  
Totsuka, entitled, "Television Set," U.S. Appl. No. 29/245,754, filed Dec. 29, 2005, pending.  
Kita, entitled, "Television Set," U.S. Appl. No. 29/243,346, filed Nov. 23, 2005, pending.  
Kita, entitled, "Television Set," U.S. Appl. No. 29/243,348, filed Nov. 23, 2005, pending.  
Kita, entitled, "Television Set," U.S. Appl. No. 29/243,347, filed Nov. 23, 2005, pending.  
Kita, entitled, "Television Set," U.S. Appl. No. 29/243,703, filed Nov. 30, 2005, pending.  
Kita, entitled, "Television Set," U.S. Appl. No. 29/243,704, filed Nov. 30, 2005, pending.  
Kita, entitled, "Television Set," U.S. Appl. No. 29/243,707, filed Nov. 30, 2005, pending.  
Kita, entitled, "Television Set," U.S. Appl. No. 29/245,015, filed Dec. 19, 2005, pending.

Kita, entitled, "Television Set," U.S. Appl. No. 29/253,456, filed Feb. 8, 2006, pending.  
Kita, entitled, "Television Set," U.S. Appl. No. 29/243,350, filed Nov. 23, 2005, pending.  
Kita, entitled, "Externally Exposed Surfaces of a Speaker for a Television Set," U.S. Appl. No. 29/243,705, filed Nov. 30, 2005, pending.  
Kita, entitled, "Television Set," U.S. Appl. No. 29/253,455, filed Feb. 8, 2006, pending.  
Kita, entitled, "Television Set," U.S. Appl. No. 29/261,811, filed Jun. 21, 2006, pending.  
Kita, entitled, "Television Set," U.S. Appl. No. 29/261,807, filed Jun. 21, 2006, pending.  
Kita, entitled, "Television Set," U.S. Appl. No. 29/261,813, filed Jun. 21, 2006, pending.  
Kita, entitled, "Television Set," U.S. Appl. No. 29/260,910, filed Jun. 21, 2006, pending.  
Kita, entitled, "Television Set," U.S. Appl. No. 29/261,815, filed Jun. 21, 2006, pending.  
Kita, entitled, "Television Set," U.S. Appl. No. 29/261,810, filed Jun. 21, 2006, pending.  
Kita, entitled, "Television Set," U.S. Appl. No. 29/261,805, filed Jun. 21, 2006, pending.  
Kita, entitled, "Television Set," U.S. Appl. No. 29/261,804, filed Jun. 21, 2006, pending.  
Kita, entitled, "Television Set," U.S. Appl. No. 29/261,803, filed Jun. 21, 2006, pending.  
Kita, entitled, "Television Set," U.S. Appl. No. 29/261,802, filed Jun. 21, 2006, pending.  
Inuma et al., entitled, "Television Set," U.S. Appl. No. 29/261,809, filed Jun. 21, 2006, pending.

\* cited by examiner

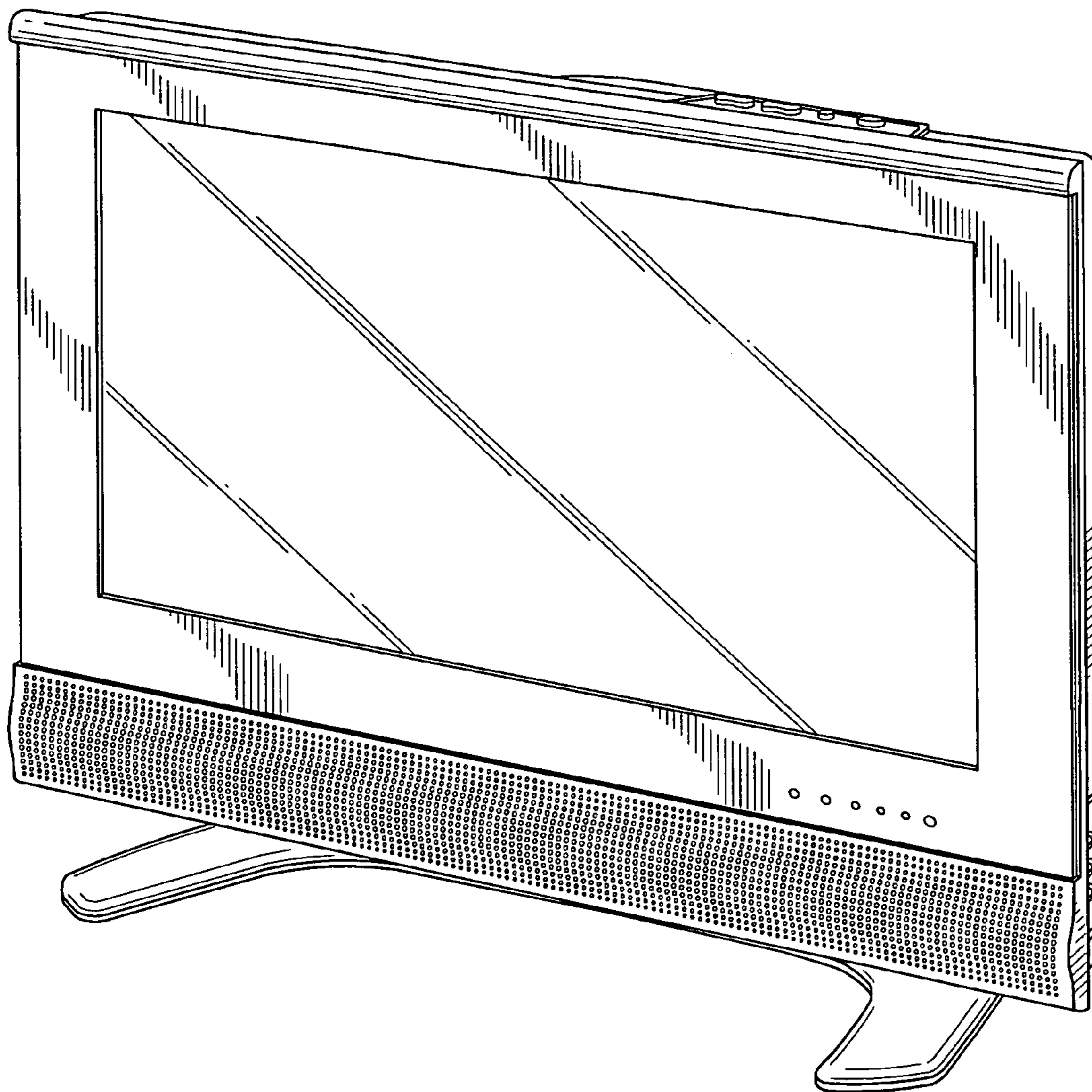


FIG. 1

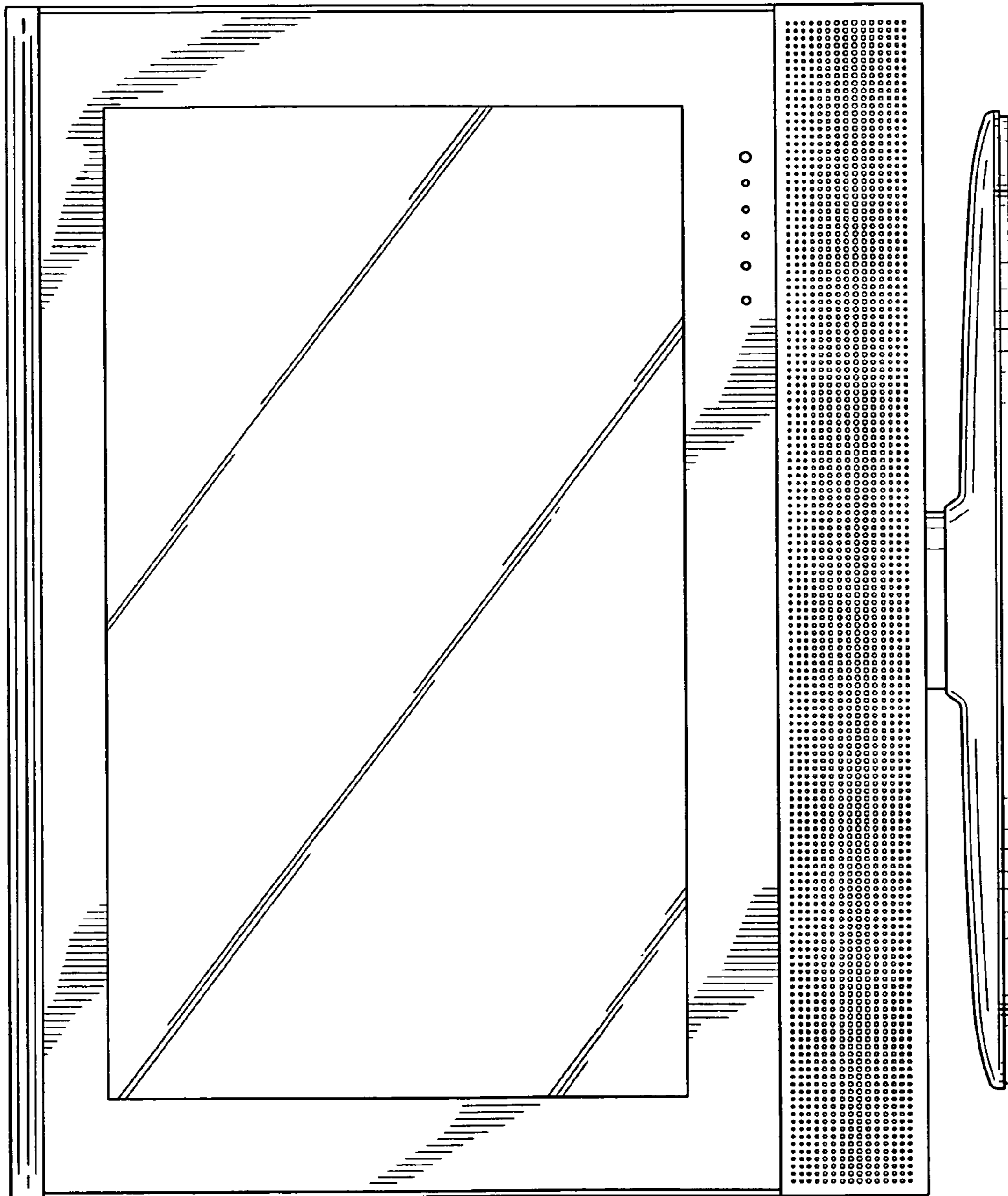


FIG. 2

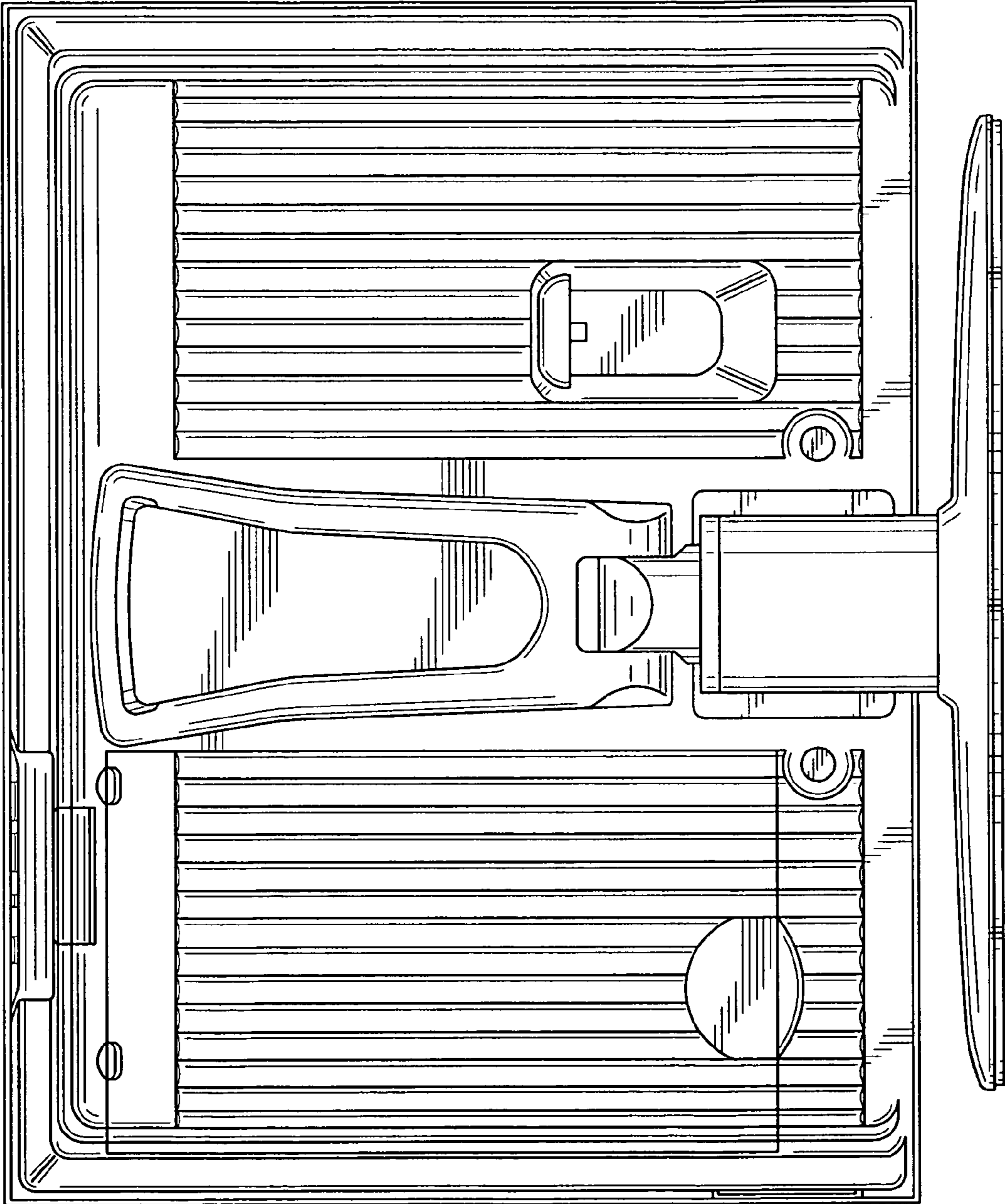


FIG. 3

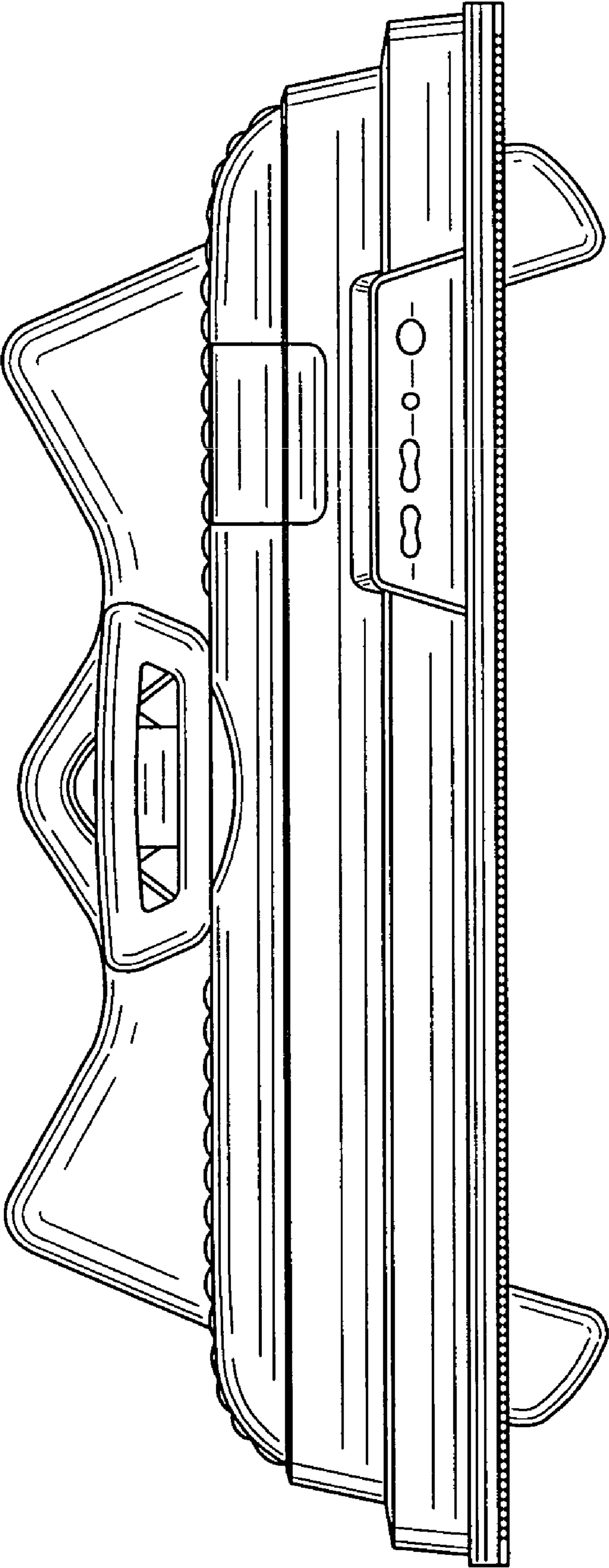


FIG. 4

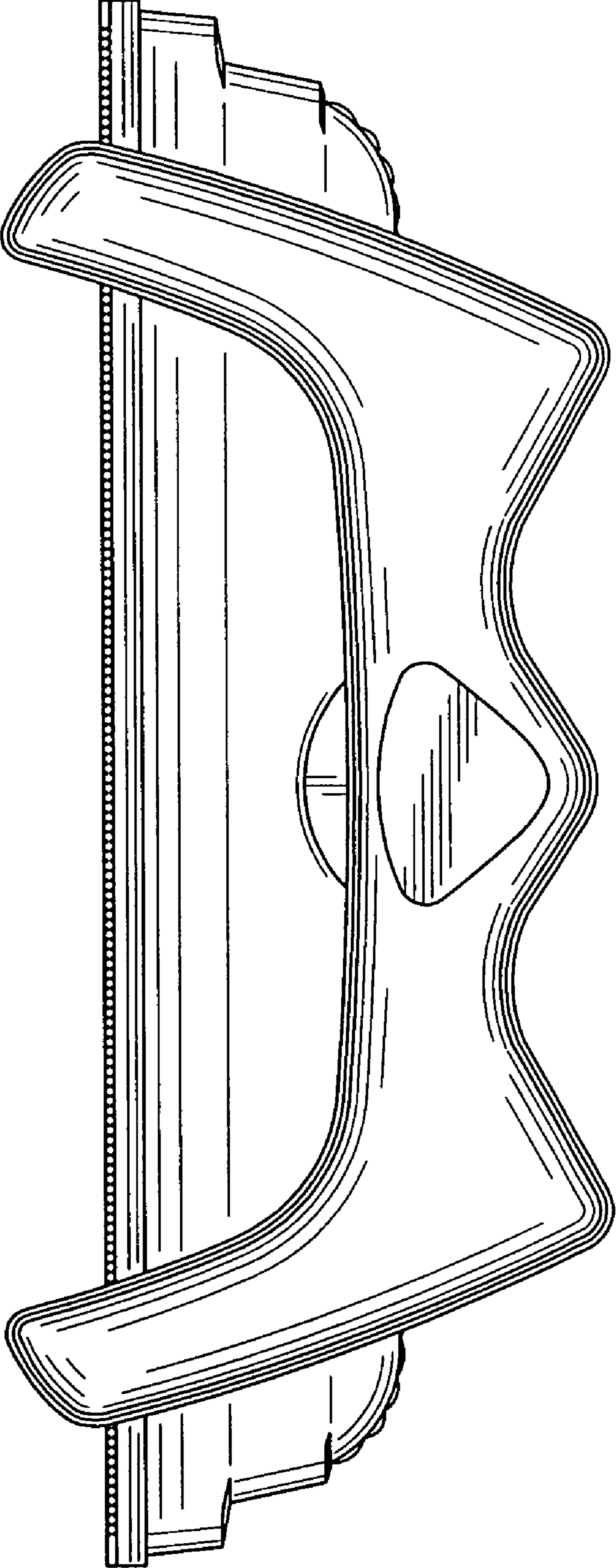


FIG. 5

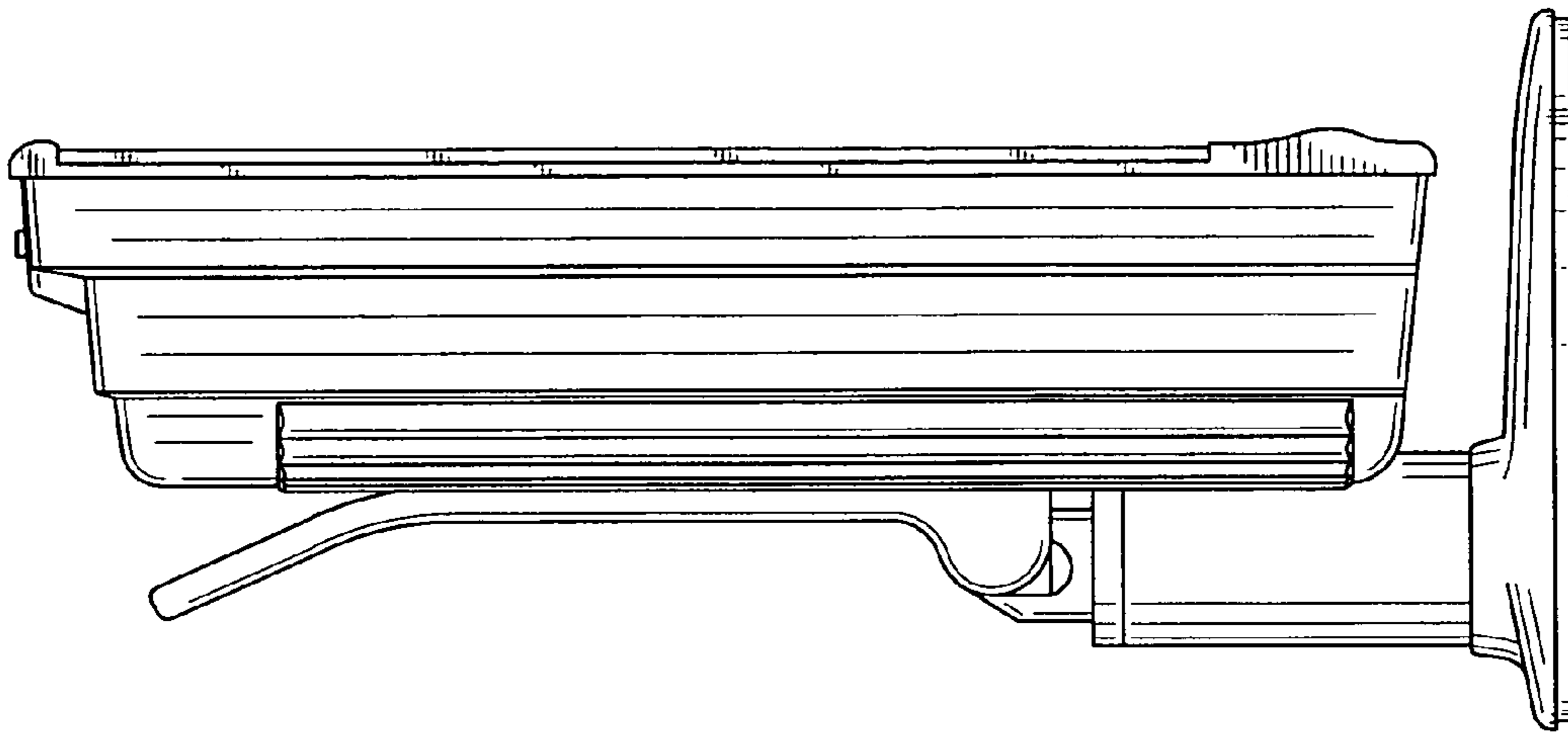


FIG. 7

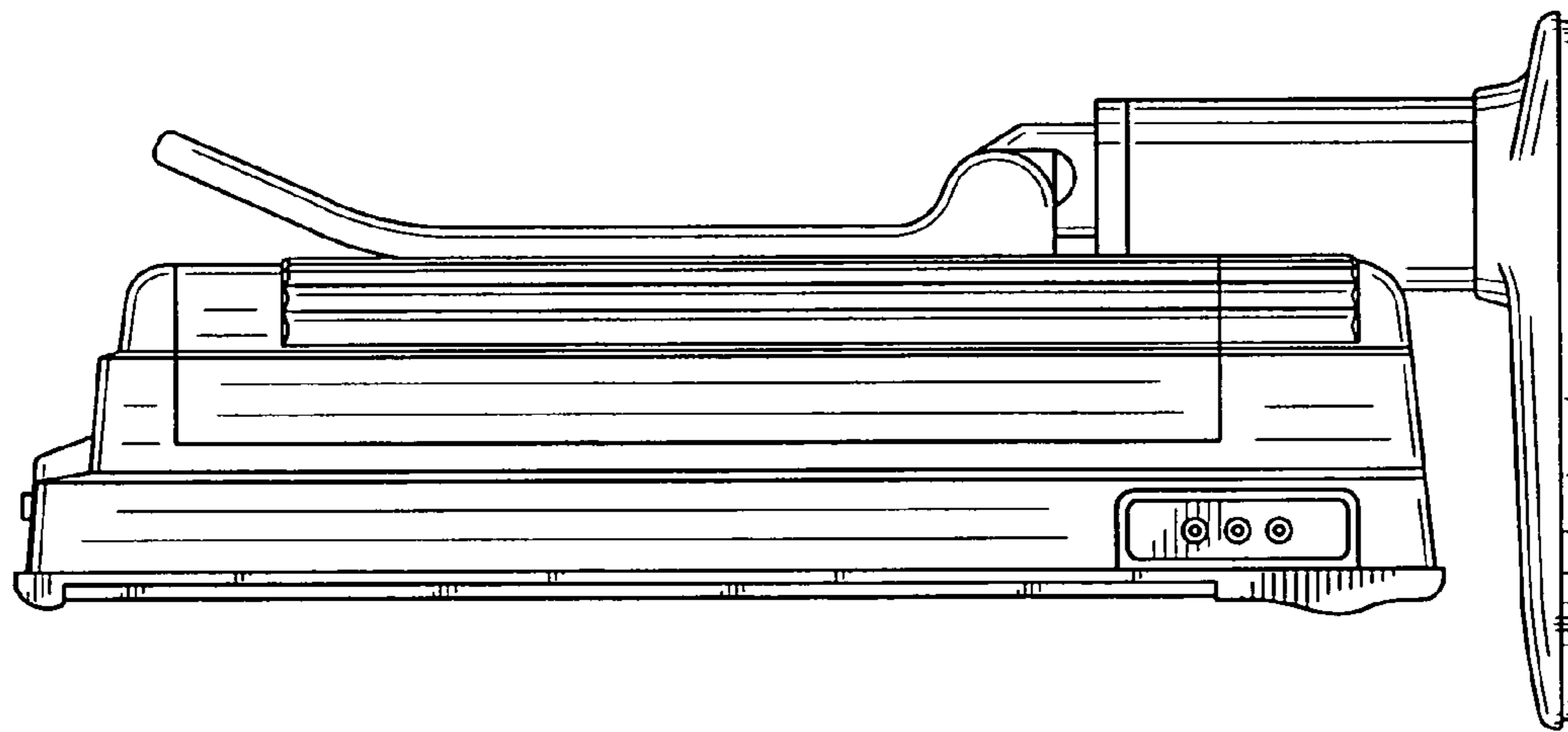


FIG. 6



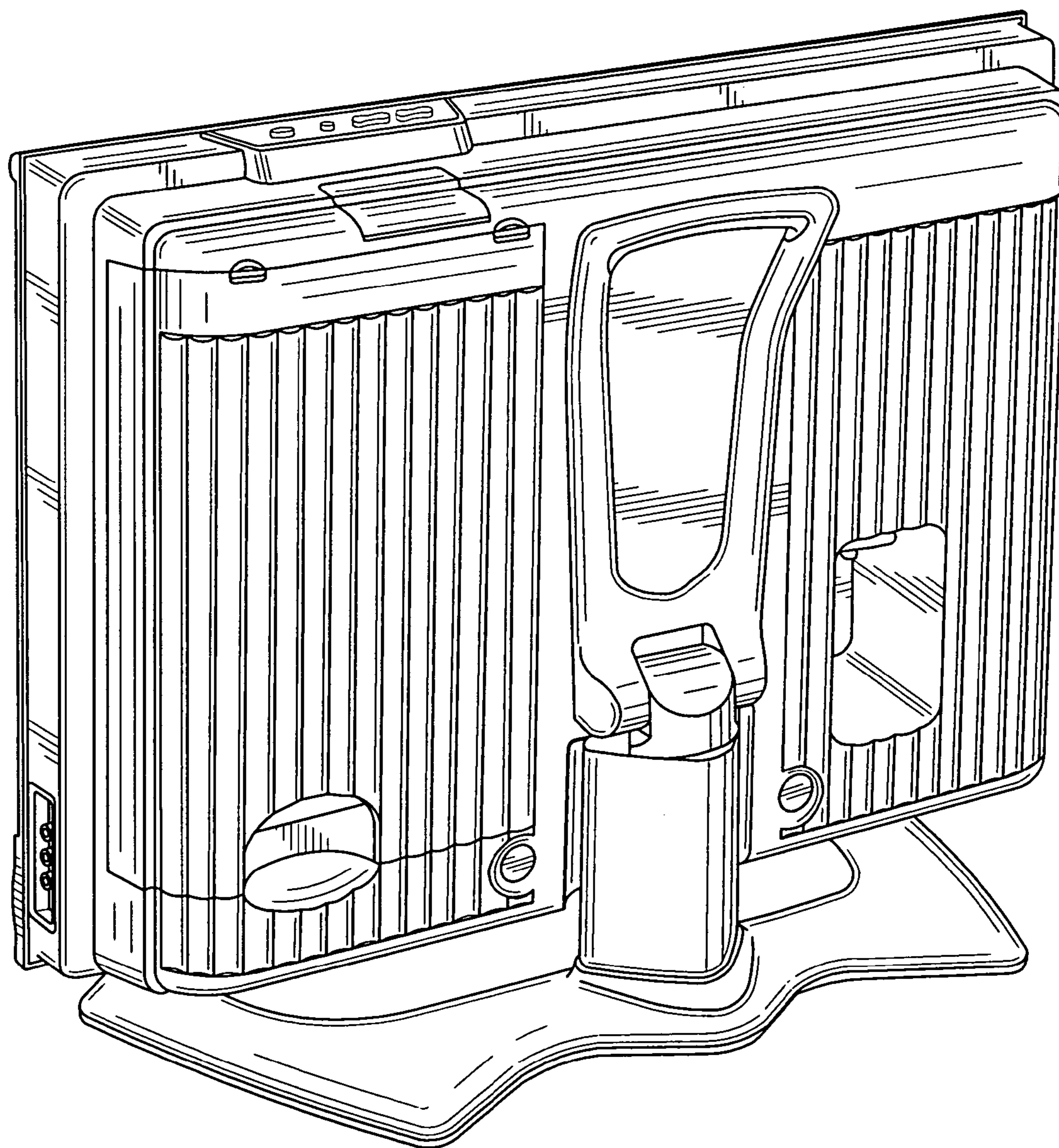


FIG. 8