



US00D545278S

(12) **United States Design Patent**  
**Niitsu**

(10) **Patent No.:** **US D545,278 S**

(45) **Date of Patent:** **\*\* Jun. 26, 2007**

(54) **TELEVISION RECEIVER**

JP D1177014 S 6/2003  
JP D1203796 S 4/2004

(75) Inventor: **Takuya Niitsu**, Tokyo (JP)

(73) Assignee: **Sony Corporation**, Tokyo (JP)

(\*\*) Term: **14 Years**

(21) Appl. No.: **29/221,110**

(22) Filed: **Jan. 12, 2005**

(51) **LOC (8) Cl.** ..... **14-03**

(52) **U.S. Cl.** ..... **D14/126**

(58) **Field of Classification Search** ..... D14/125-135,  
D14/239, 379, 371, 374, 375, 376, 113; D13/151,  
D13/153; 312/7.2; 348/836, 838, 180, 184,  
348/325, 739; 341/12; 248/917-924; 345/104,  
345/133, 156, 168, 87, 173; 349/1, 2, 11,  
349/62

See application file for complete search history.

(56) **References Cited**

**U.S. PATENT DOCUMENTS**

D265,315 S *	7/1982	McKinsey et al. ....	D14/334
D355,176 S *	2/1995	Maeno et al. ....	D14/375
D355,646 S *	2/1995	Yasuno et al. ....	D14/375
D387,041 S *	12/1997	Horiki et al. ....	D14/374
D389,124 S *	1/1998	Givati .....	D13/184
D390,206 S *	2/1998	Smith et al. ....	D14/382
D412,891 S	8/1999	Sumii	
D432,102 S	10/2000	Arie	
D454,565 S *	3/2002	Harriman .....	D14/374
D458,237 S	6/2002	Niitsu	
D474,452 S	5/2003	Kanatani	
D474,453 S	5/2003	Kanatani	

**FOREIGN PATENT DOCUMENTS**

JP D1126606 S 11/2001

**OTHER PUBLICATIONS**

Web page "WEGA, KDL-L28HX2" <http://www.ecat.sony.co.jp/wega/products/index.cfm?PD=15223&KM=KDL-L28HX2>, 1 sheet, Sony (Jan. 2005).

U.S. Appl. No. 29/221,105, filed Jan. 12, 2005.

\* cited by examiner

*Primary Examiner*—Raphael Barkai

*Assistant Examiner*—Randall H. Gholson

(74) *Attorney, Agent, or Firm*—Rader, Fishman & Grauer PLLC

(57) **CLAIM**

The ornamental design for a television receiver, as shown and described.

**DESCRIPTION**

FIG. 1 is a front right top perspective view of a television receiver showing my new design;

FIG. 2 is a rear right top perspective view thereof;

FIG. 3 is a rear elevational view thereof;

FIG. 4 is a top plan view thereof;

FIG. 5 is a left side elevational view thereof; and,

FIG. 6 is a right side elevational view thereof.

The even broken line showings of a pickup for optical disc player in FIGS. 1-6 are for illustrative purpose only and form no part of the claimed design. The dot-dash broken lines shown in FIGS. 2 and 3 define, but are not included in, the boundaries of the claimed design.

**1 Claim, 6 Drawing Sheets**

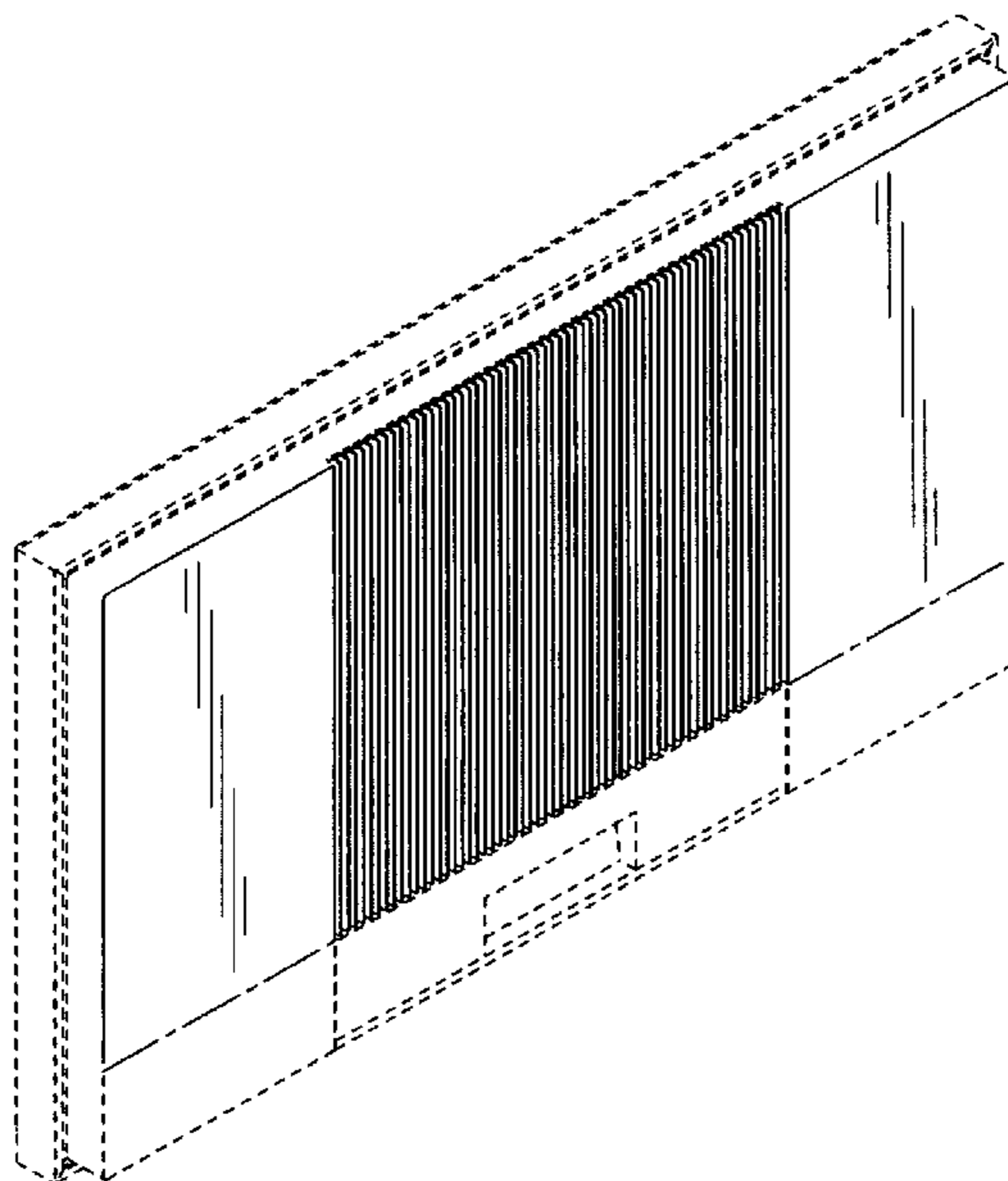


Fig.1

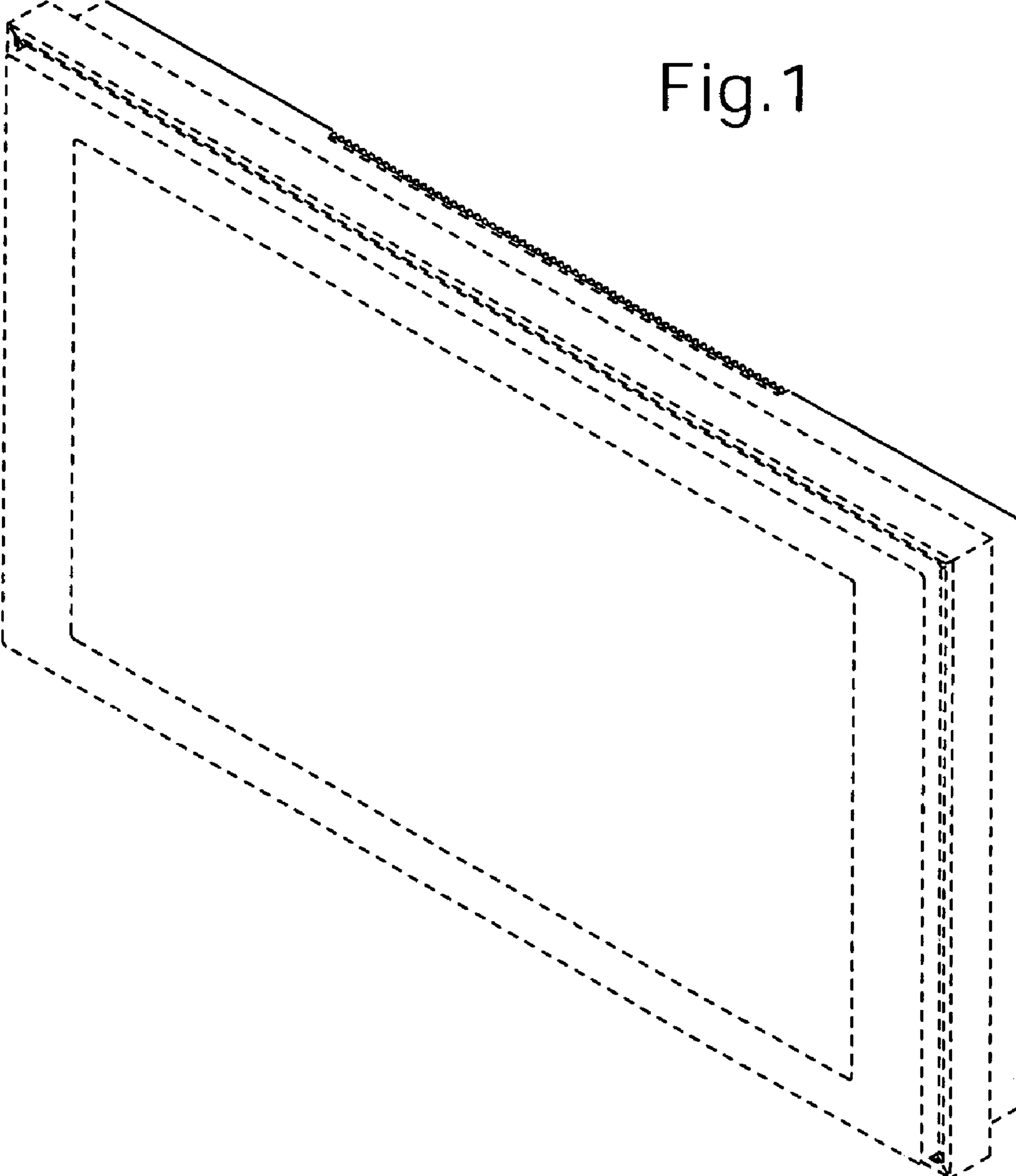


Fig.2

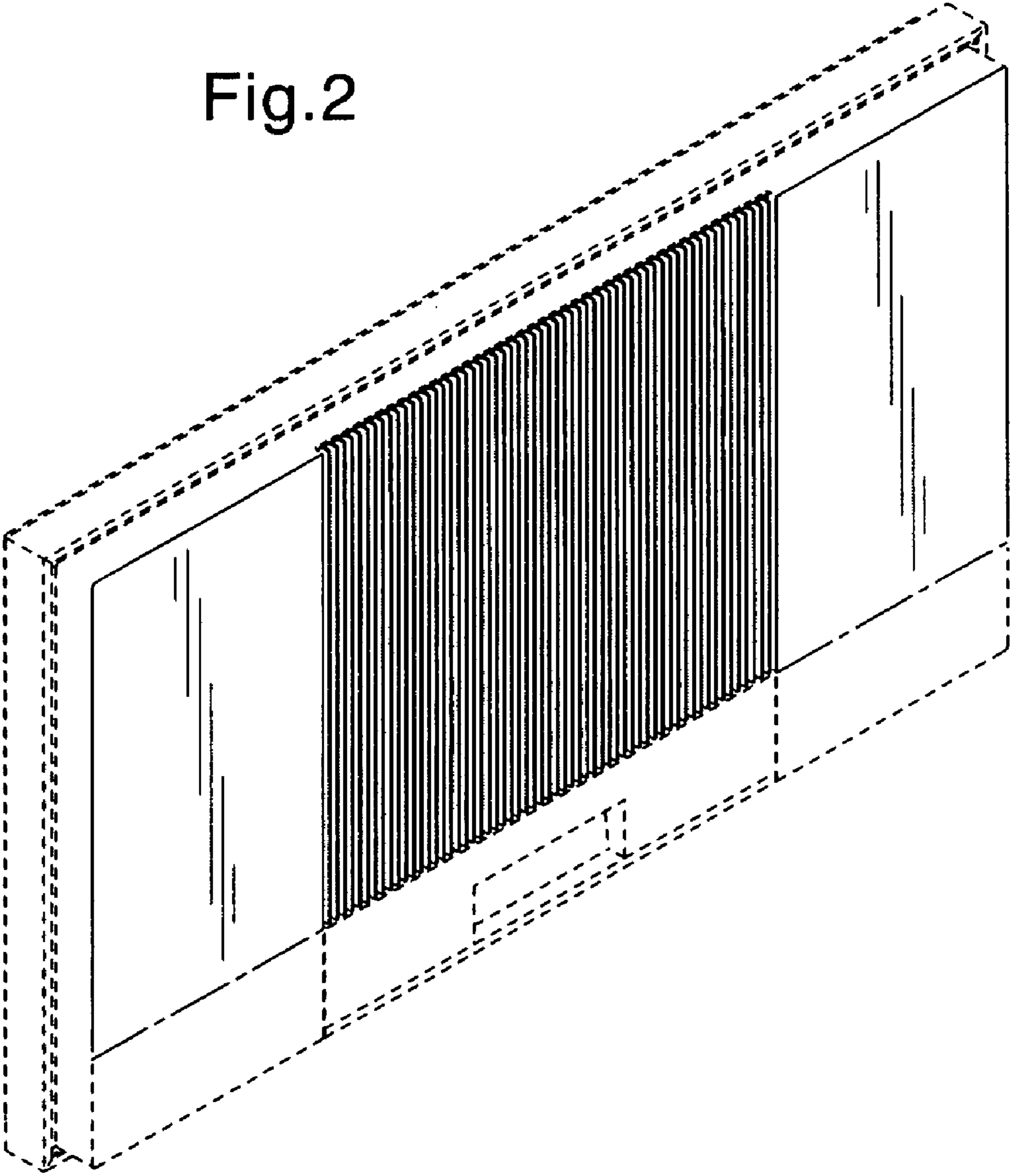


Fig.3

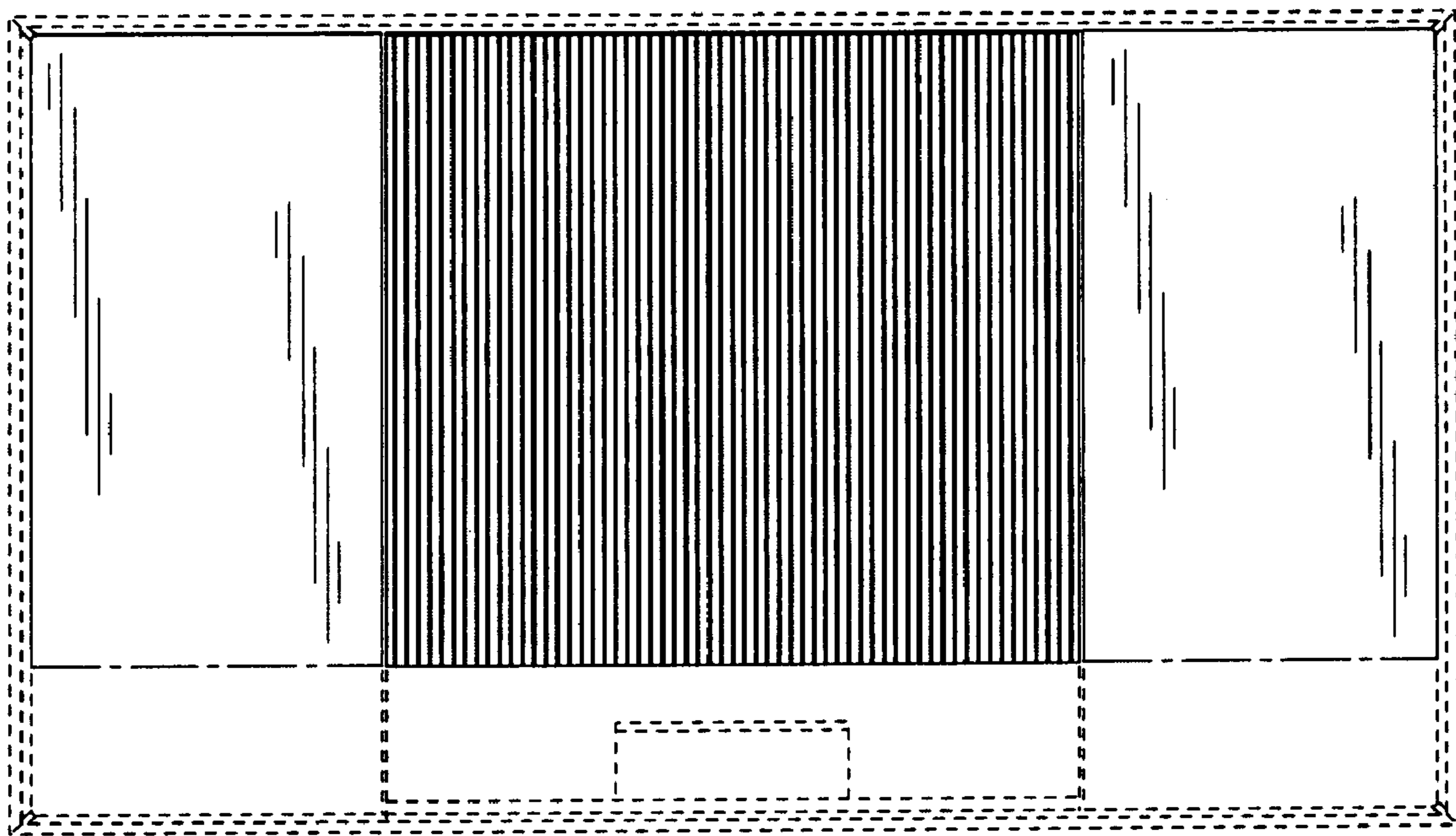
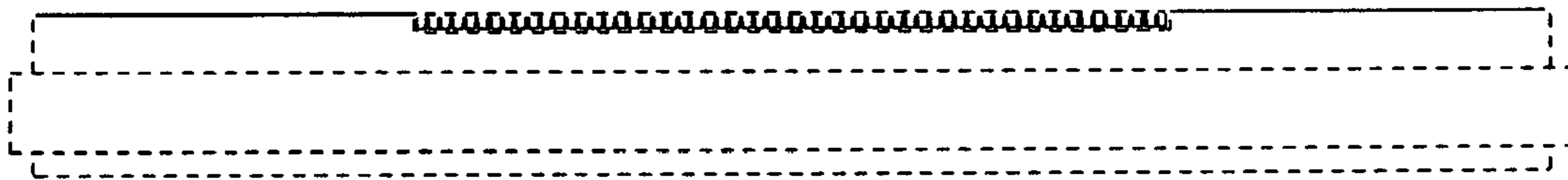
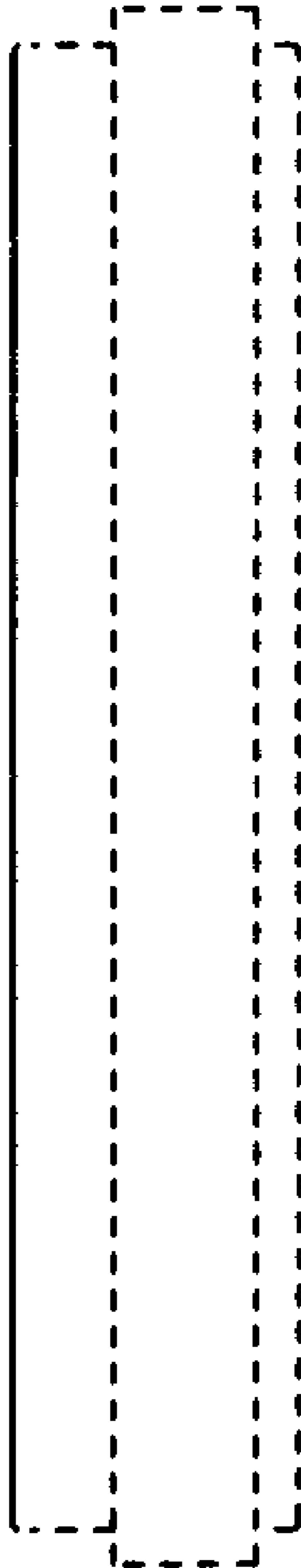


Fig.4



# Fig. 5



# Fig. 6

