



US00D545272S

(12) **United States Design Patent**
Zhang et al.

(10) **Patent No.:** **US D545,272 S**

(45) **Date of Patent:** **** Jun. 26, 2007**

(54) **SOCKET**

(75) Inventors: **Kuiyang Zhang**, Leqing (CN);
Songling Lin, Leqing (CN)

(73) Assignee: **Suzhou Songbao Electric Co., Ltd.**,
Wujiang, Jiangsu Province (CN)

(**) Term: **14 Years**

(21) Appl. No.: **29/237,073**

(22) Filed: **Aug. 26, 2005**

(51) **LOC (8) Cl.** **13-03**

(52) **U.S. Cl.** **D13/139.3**

(58) **Field of Classification Search** D13/137.1,
D13/139.1, 139.3, 139.6, 184; 174/50-51,
174/53, 55, 58, 66-67

See application file for complete search history.

(56) **References Cited**

U.S. PATENT DOCUMENTS

D269,510 S *	6/1983	Doyle et al.	D13/139.3
D413,862 S *	9/1999	Huang et al.	D13/139.3
D419,531 S *	1/2000	Keung et al.	D13/160
D430,539 S *	9/2000	Leopold et al.	D13/139.3
D462,660 S *	9/2002	Huang et al.	D13/139.3
D470,108 S *	2/2003	Daoxian et al.	D13/139.3
D512,021 S *	11/2005	Fort et al.	D13/139.6

D515,505 S *	2/2006	Lin	D13/139.6
7,034,224 B2 *	4/2006	Kim et al.	174/53
D532,376 S *	11/2006	Bazayev et al.	D13/139.3
D535,254 S *	1/2007	Bazayev et al.	D13/139.3
D535,255 S *	1/2007	Bazayev et al.	D13/139.3
D536,305 S *	2/2007	Fort et al.	D13/139.6

* cited by examiner

Primary Examiner—Alan P. Douglas

Assistant Examiner—Rosemary K. Tarcza

(74) *Attorney, Agent, or Firm*—Venable LLP; Robert Kinberg

(57) **CLAIM**

The ornamental design for a socket, as shown and described.

DESCRIPTION

FIG. 1 is a perspective view from the front-bottom-left side of the socket showing our new design;

FIG. 2 is a front view of the design shown in FIG. 1;

FIG. 3 is a rear view of the design shown in FIG. 1;

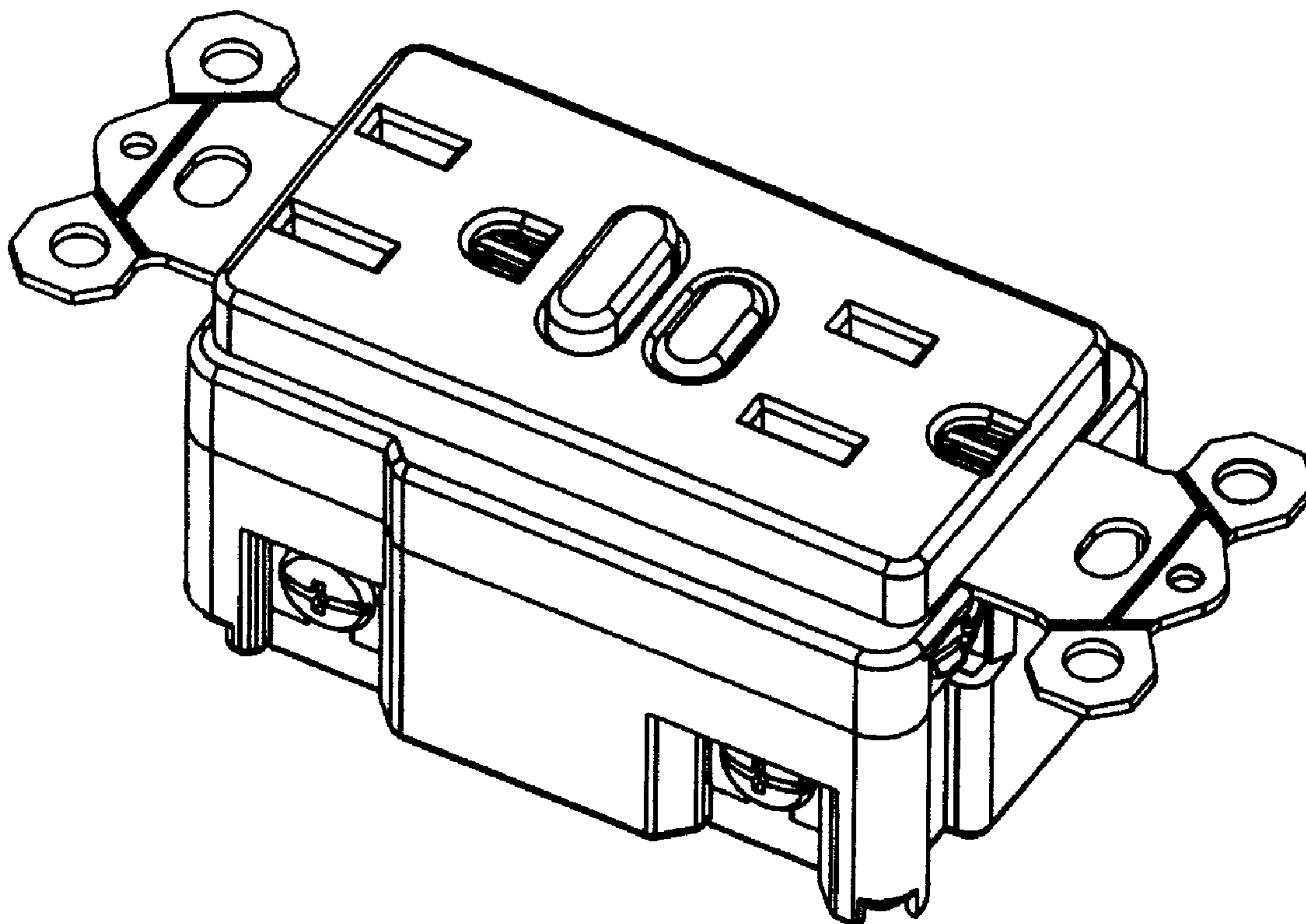
FIG. 4 is a bottom view of the design shown in FIG. 1;

FIG. 5 is a top view of the design shown in FIG. 1;

FIG. 6 is a left side view of the design shown in FIG. 1; and,

FIG. 7 is a right side view of the design shown in FIG. 1.

1 Claim, 4 Drawing Sheets



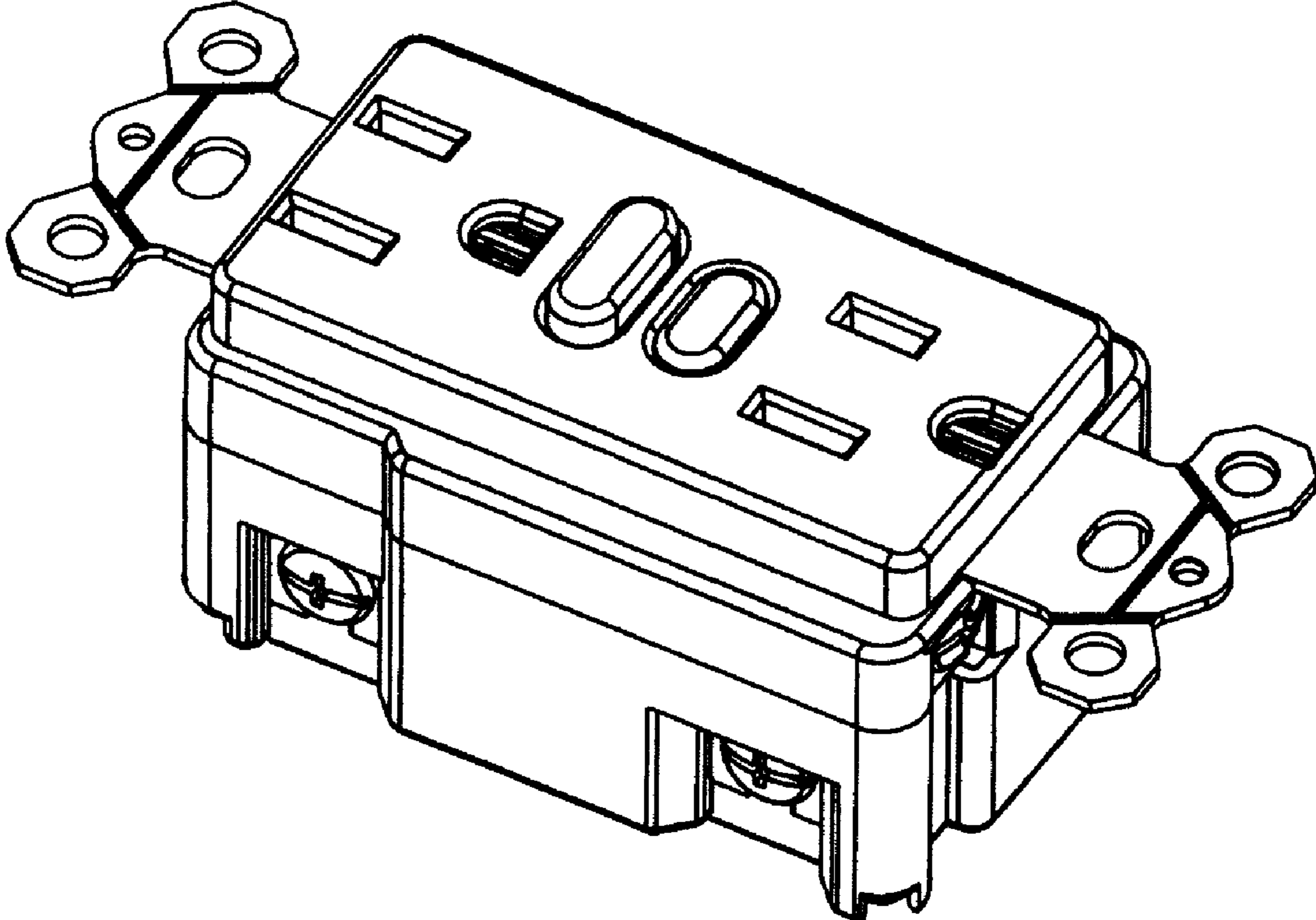


Fig. 1

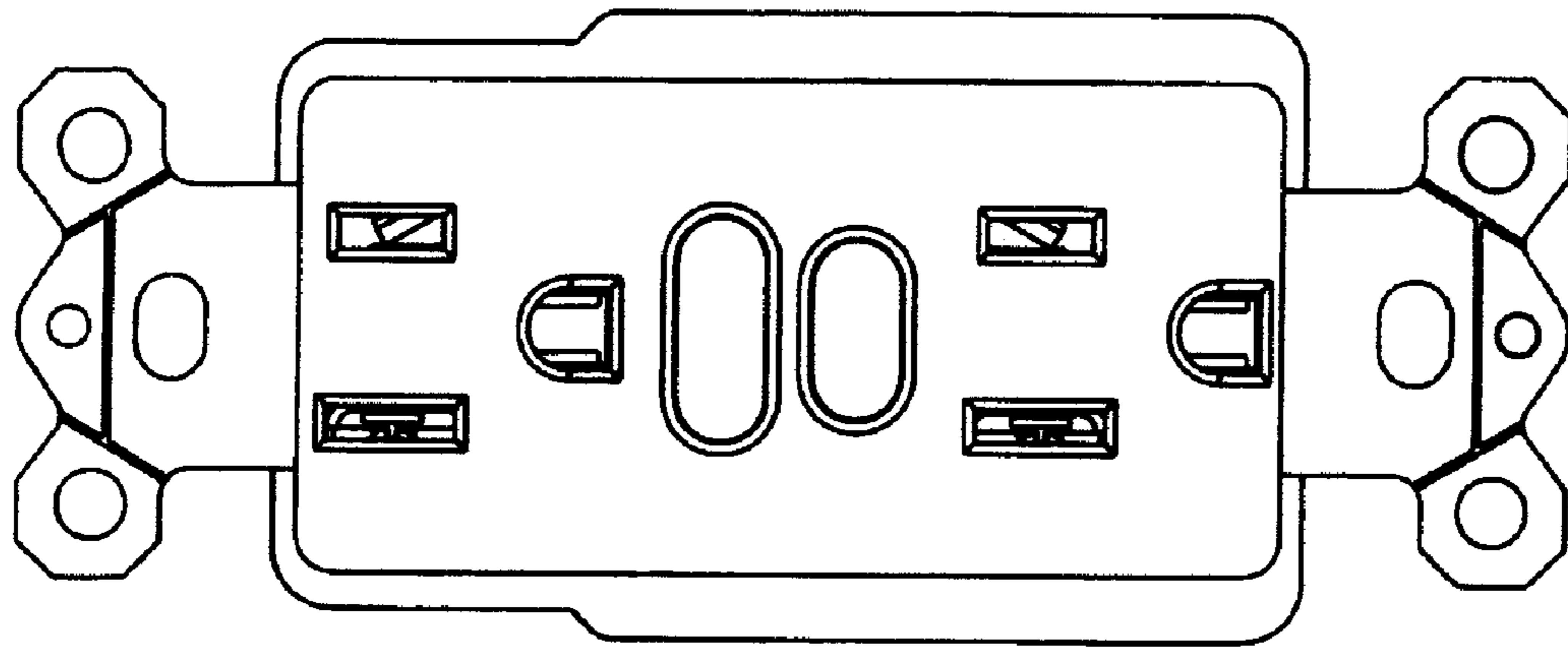


Fig. 2

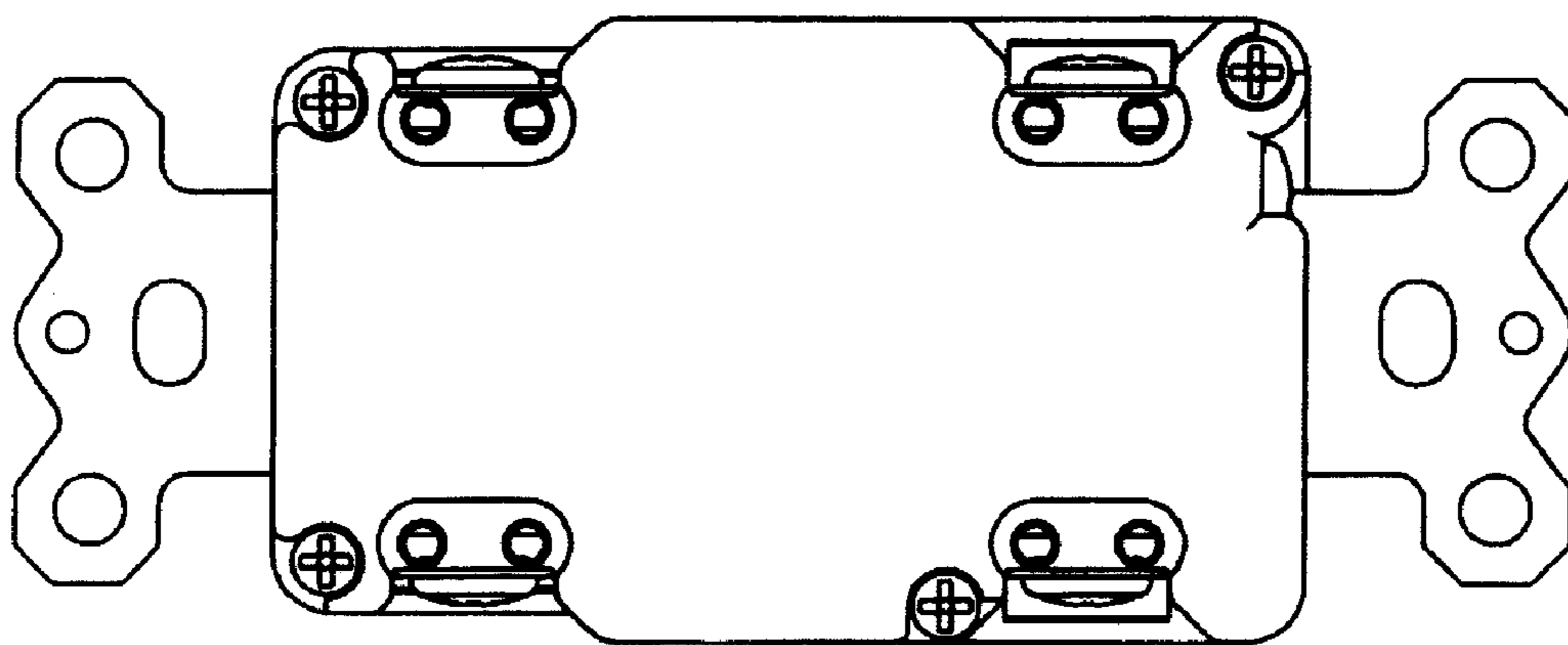


Fig. 3

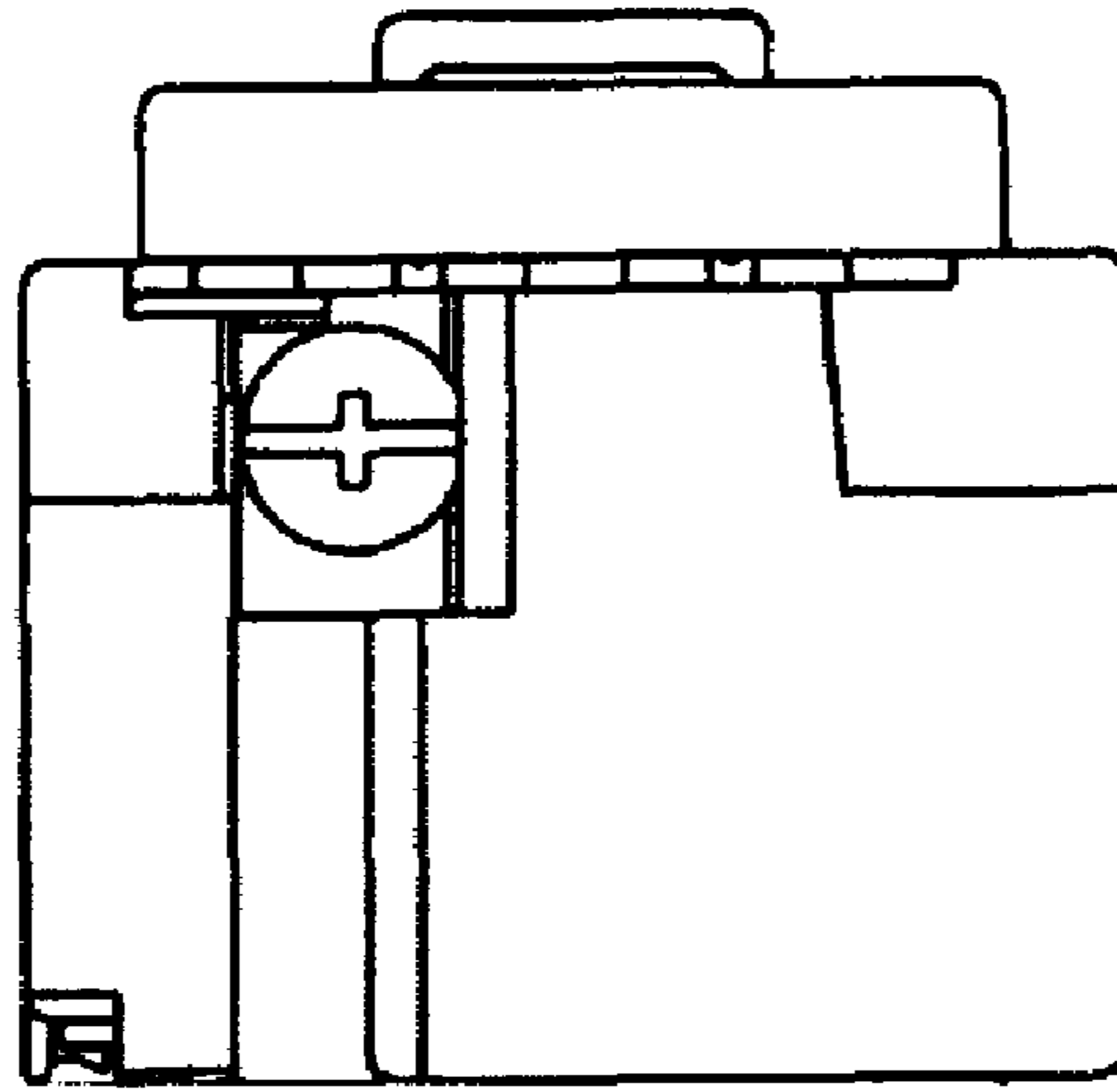


Fig. 4

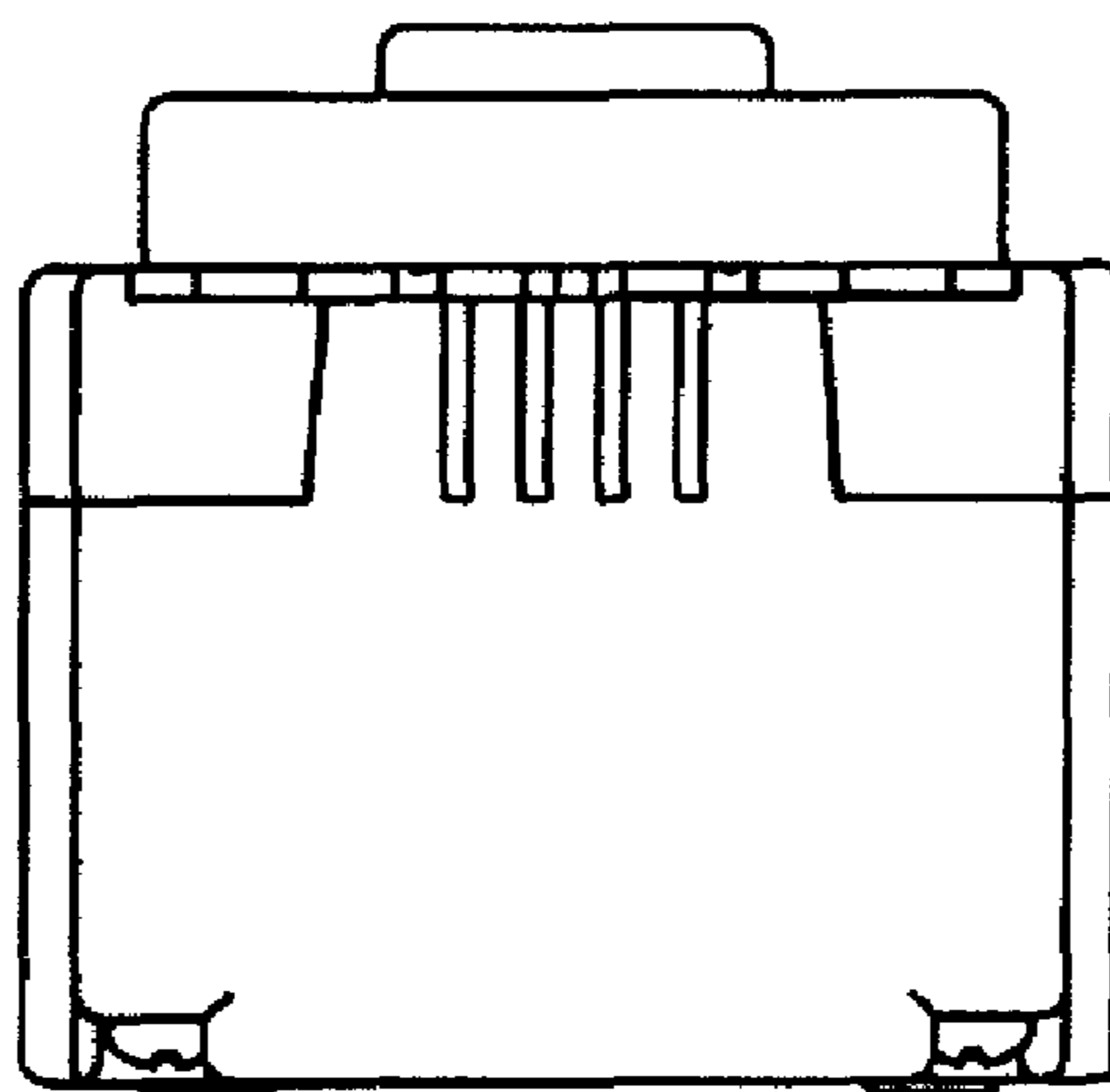


Fig. 5

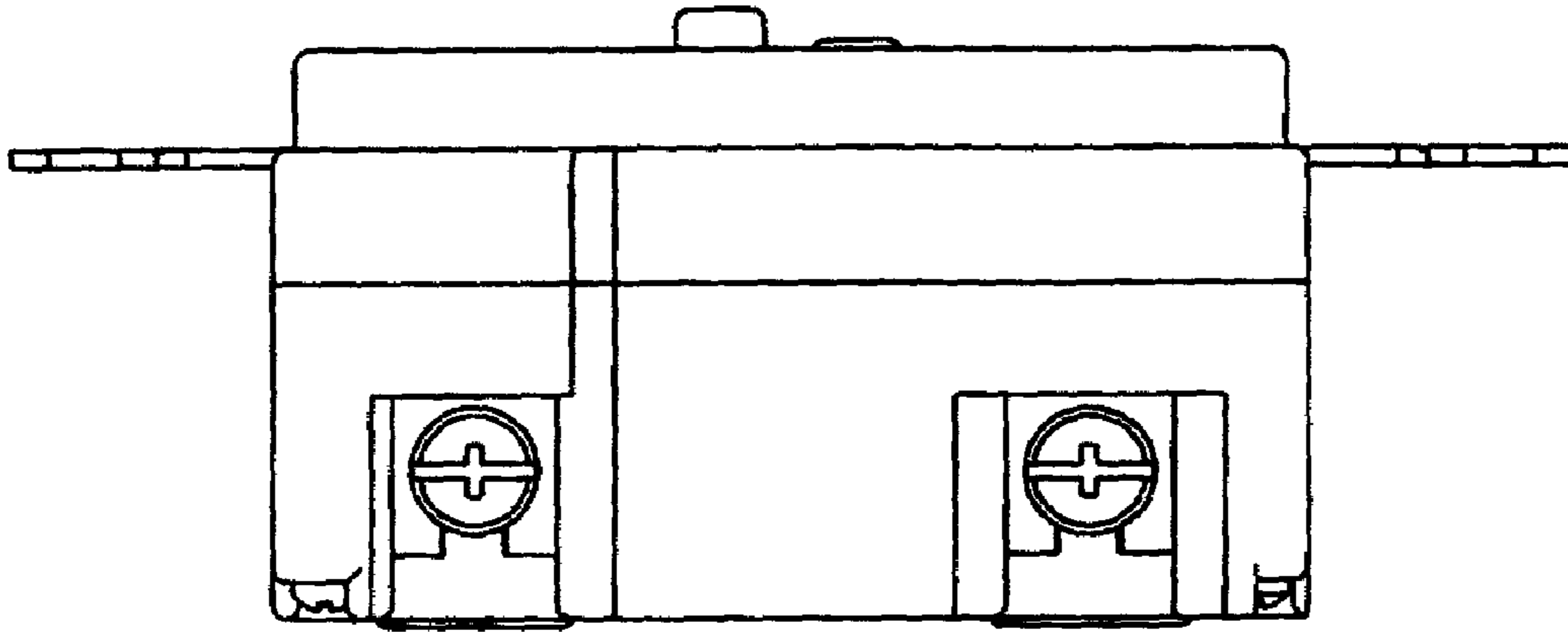


Fig. 6

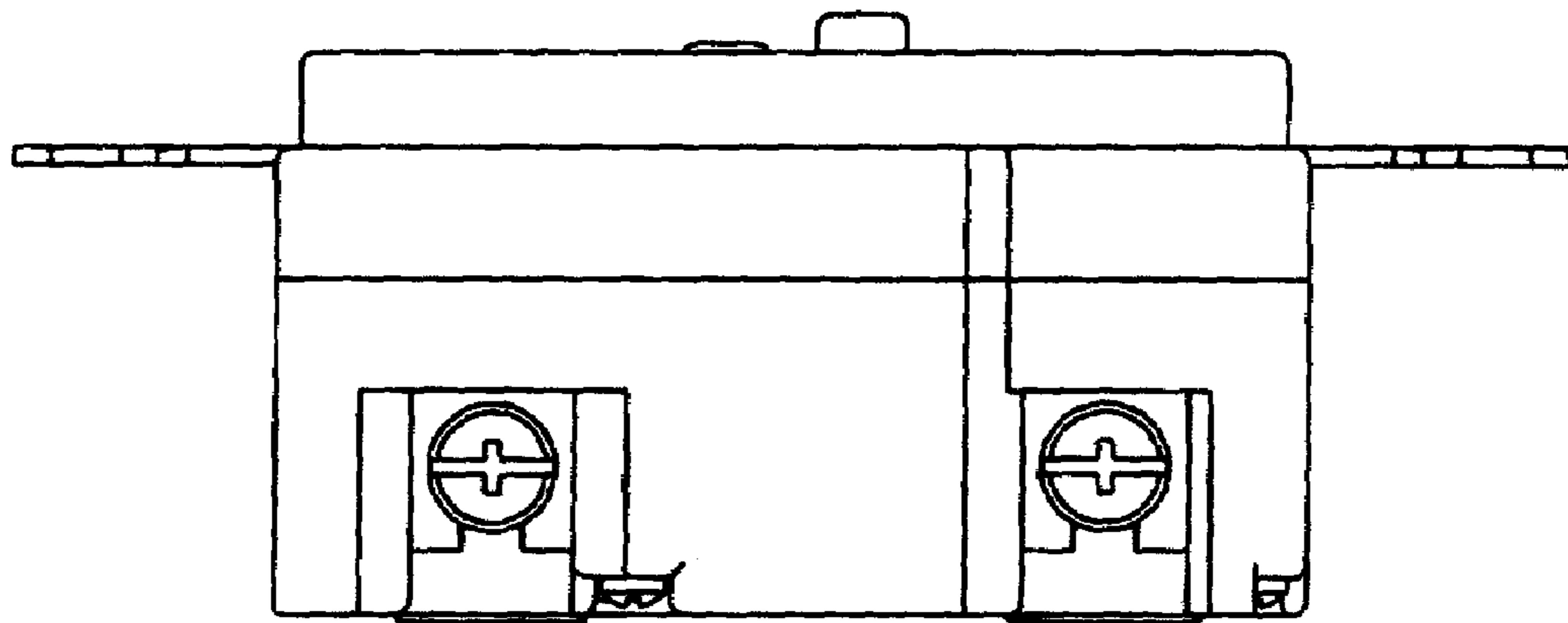


Fig. 7