



US00D545271S

(12) **United States Design Patent**  
**Robertson**

(10) **Patent No.:** **US D545,271 S**  
(45) **Date of Patent:** **\*\* Jun. 26, 2007**

(54) **SECONDARY ELECTRICAL DISTRIBUTION SPOOL INSULATOR**

(76) Inventor: **Dale Robertson**, 22 Julies Walk,  
Halifax, Nova Scotia (CA), B3M 2F7

(\*\*) Term: **14 Years**

(21) Appl. No.: **29/185,521**

(22) Filed: **Jun. 30, 2003**

(51) **LOC (8) Cl.** ..... **13-03**

(52) **U.S. Cl.** ..... **D13/129; D13/131**

(58) **Field of Classification Search** ..... D13/129,  
D13/131; 174/158 R, 163 F, 172, 173, 174,  
174/194, 195

See application file for complete search history.

(56) **References Cited**

**U.S. PATENT DOCUMENTS**

D126,721 S	*	4/1941	Schilling	.....	D13/131
2,266,400 A	*	12/1941	Reed	.....	174/174
4,178,470 A	*	12/1979	Jean et al.	.....	174/168
D256,355 S	*	8/1980	Evans et al.	.....	D13/129
D274,616 S	*	7/1984	Essig	.....	D13/131
5,412,158 A	*	5/1995	Yearwood	.....	174/163 F
5,817,985 A	*	10/1998	Bonds	.....	174/172
5,945,636 A	*	8/1999	Sakich et al.	.....	174/174
5,981,878 A	*	11/1999	Zhao et al.	.....	174/158 R

D430,847 S	*	9/2000	LaCour et al.	.....	D13/132
D458,223 S	*	6/2002	Gagne	.....	D13/129

\* cited by examiner

*Primary Examiner*—Philip S. Hyder

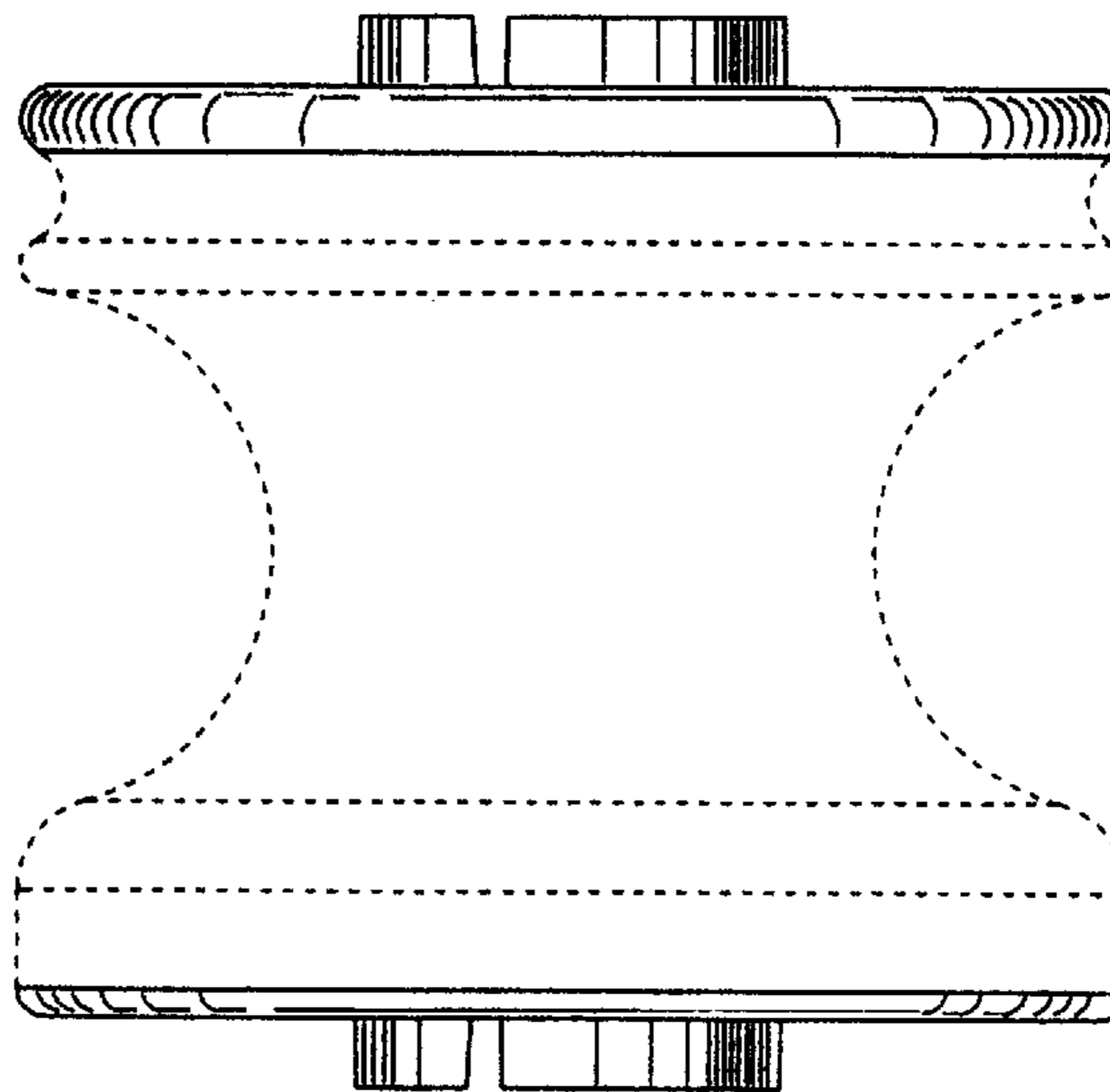
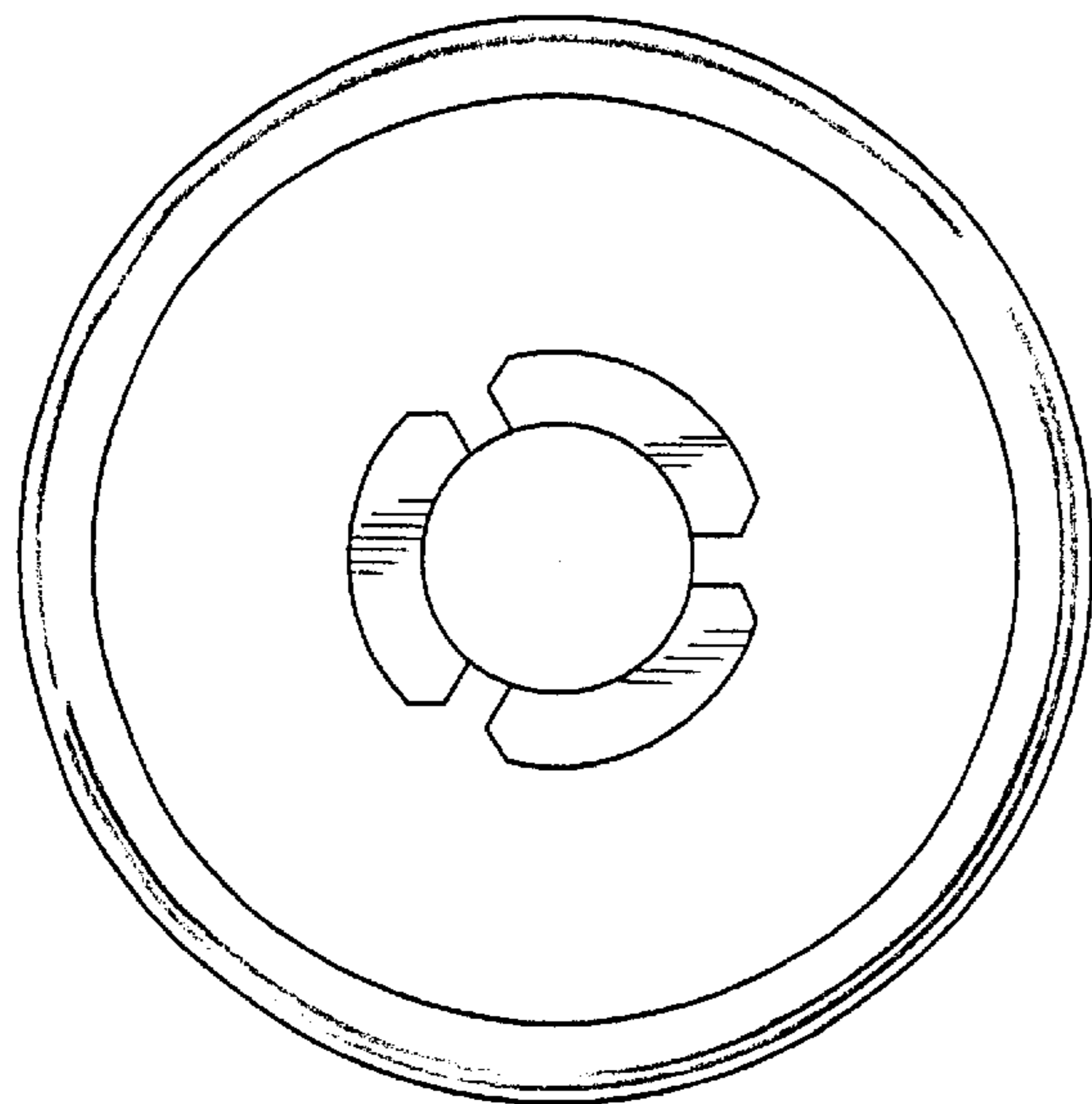
(57) **CLAIM**

The ornamental design for a secondary electrical distribution spool insulator, as shown and described.

**DESCRIPTION**

FIG. 1 is the top plan view of a spool insulator showing my new design;  
 FIG. 2 is a bottom plan view thereof;  
 FIG. 3 is a side elevation view thereof;  
 FIG. 4 is a top plan view of a modified embodiment of the spool insulator;  
 FIG. 5 is a bottom plan view of FIG. 4;  
 FIG. 6 is a side elevation view of FIG. 4;  
 FIG. 7 is a top plan view of a second modified embodiment of the spool insulator;  
 FIG. 8 is a bottom plan view of FIG. 7; and,  
 FIG. 9 is a side elevation view of FIG. 7.  
 The broken line portions of the spool insulator are for illustrative purposes only and form no part of the claimed design.

**1 Claim, 3 Drawing Sheets**



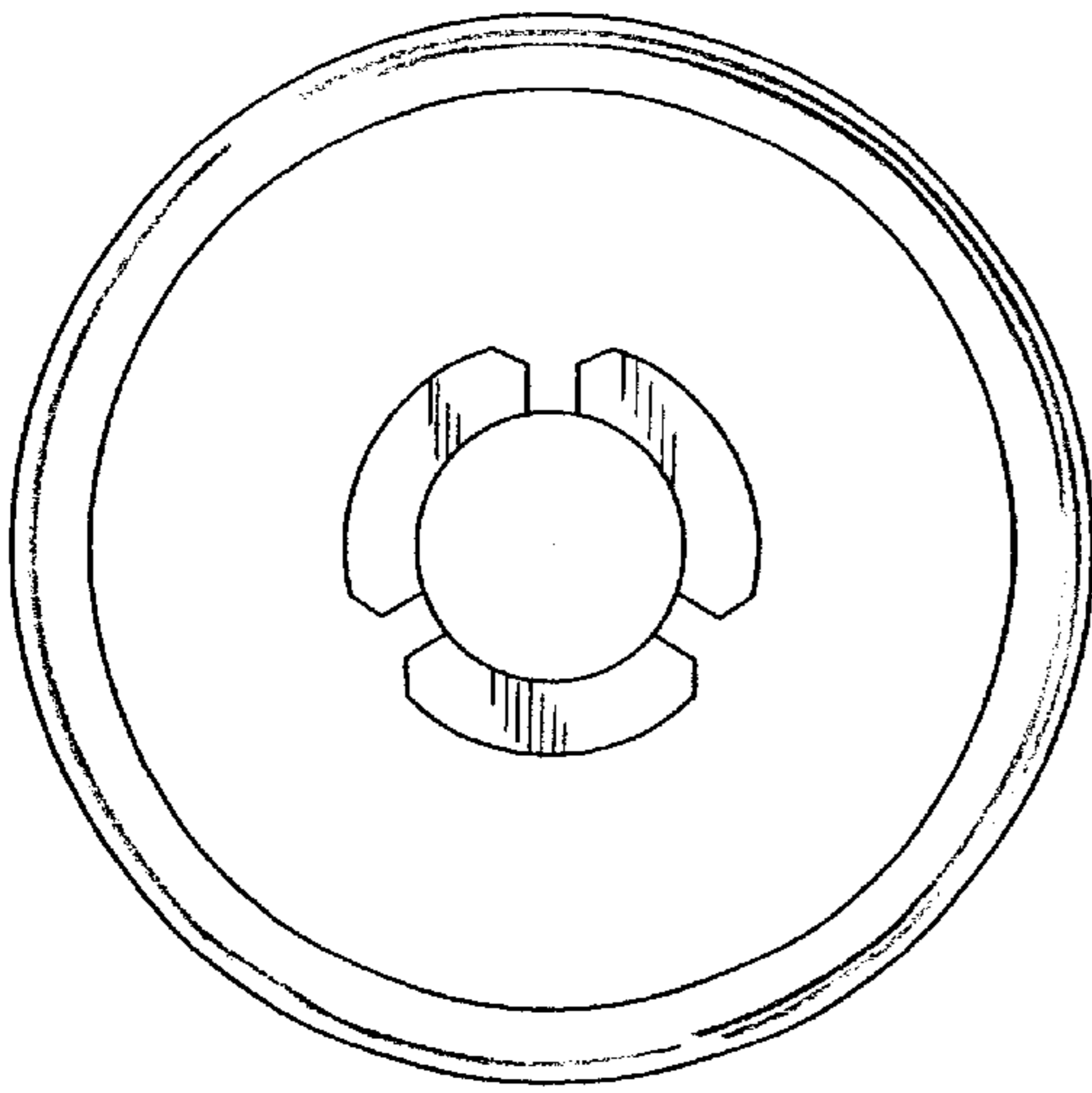


Figure 1

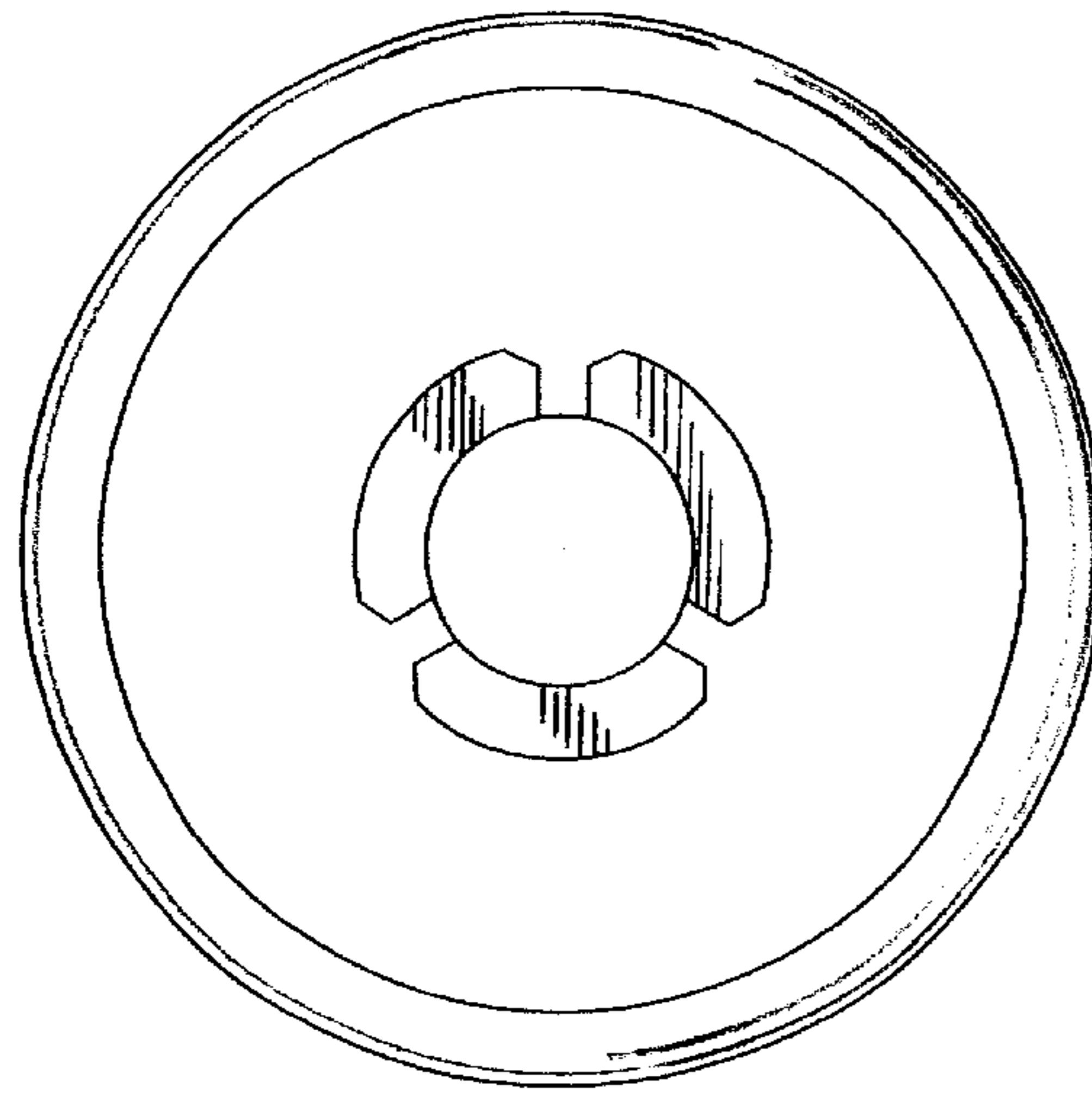


Figure 2

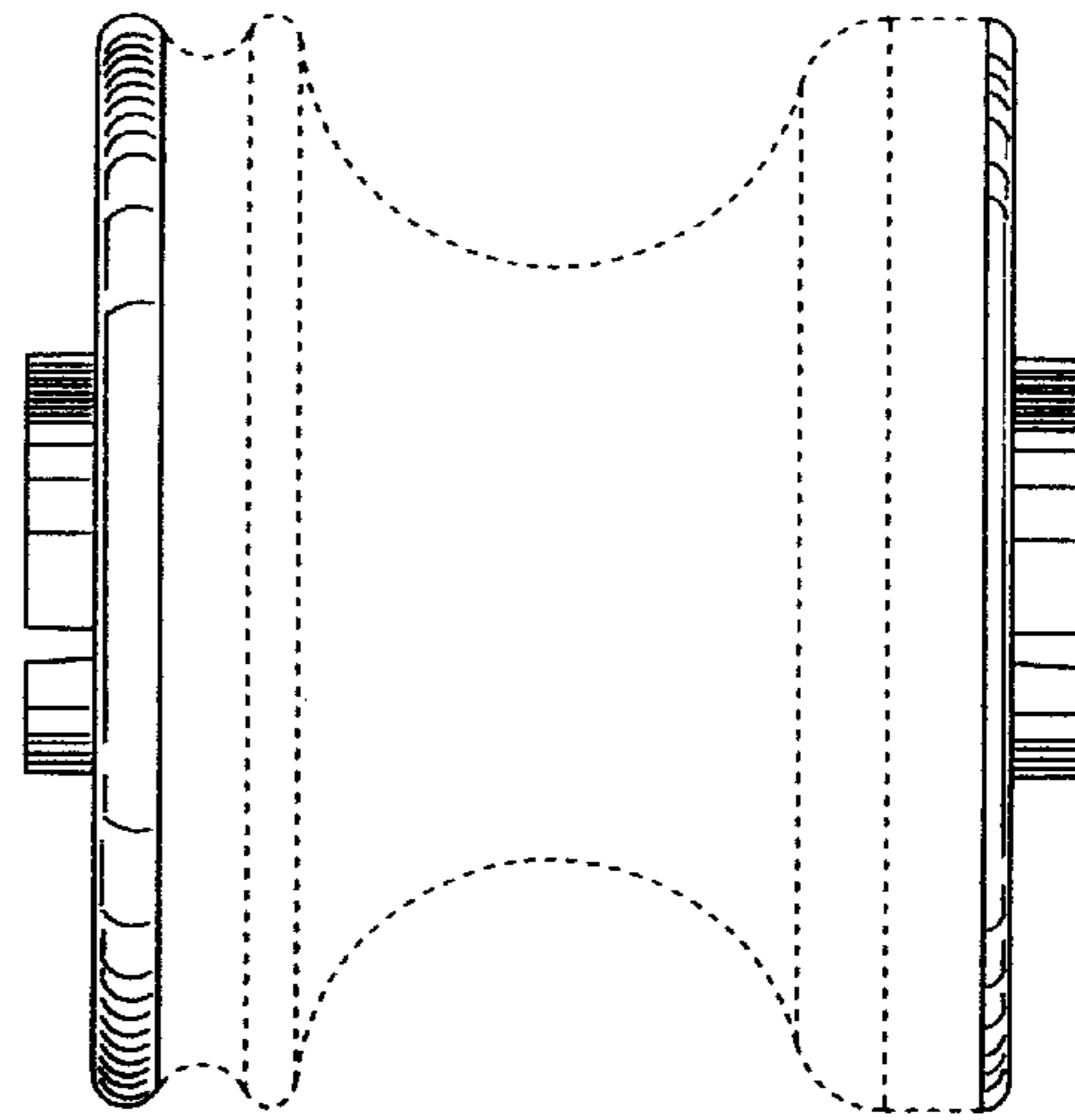


Figure 3

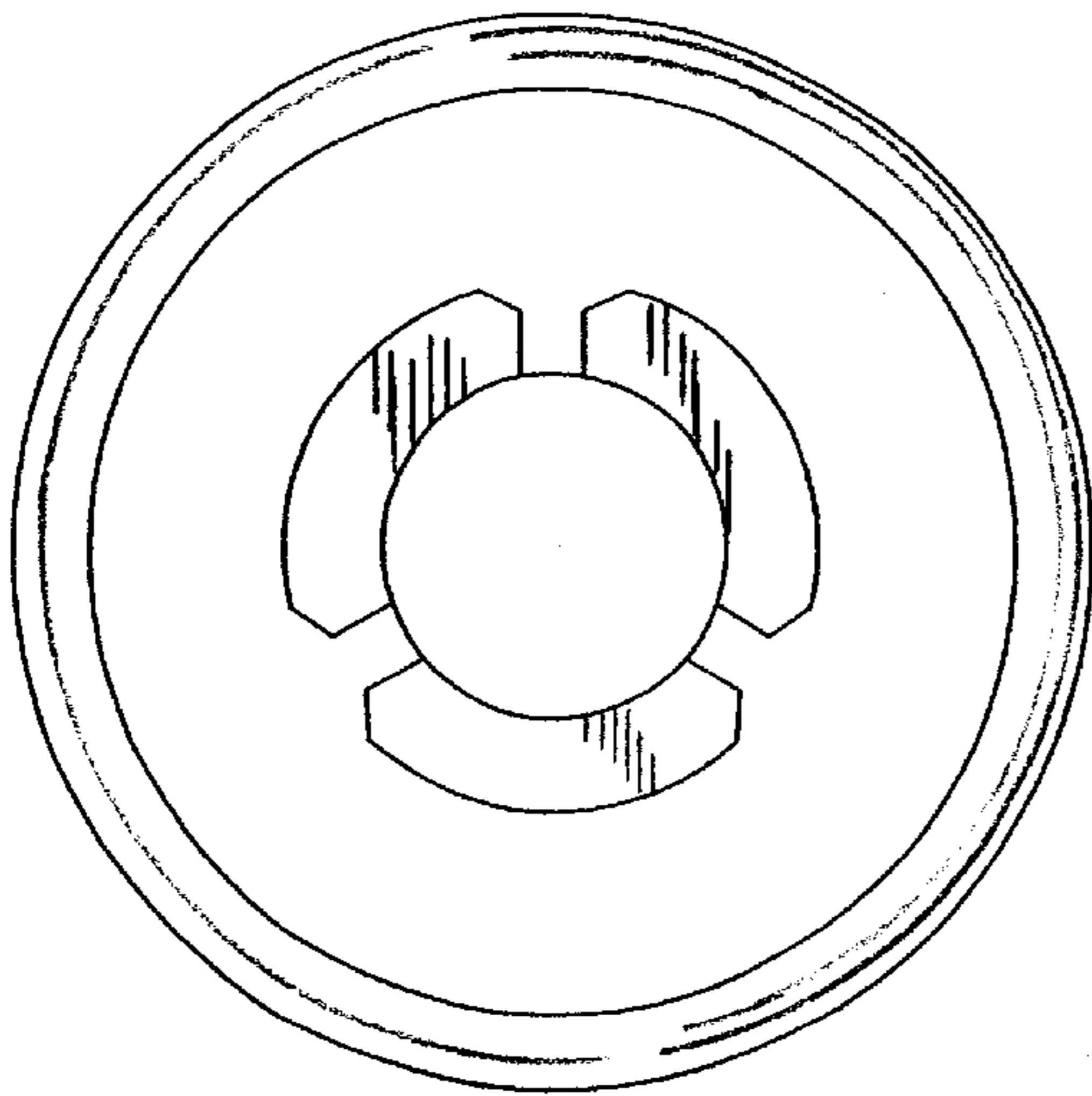


Figure 4

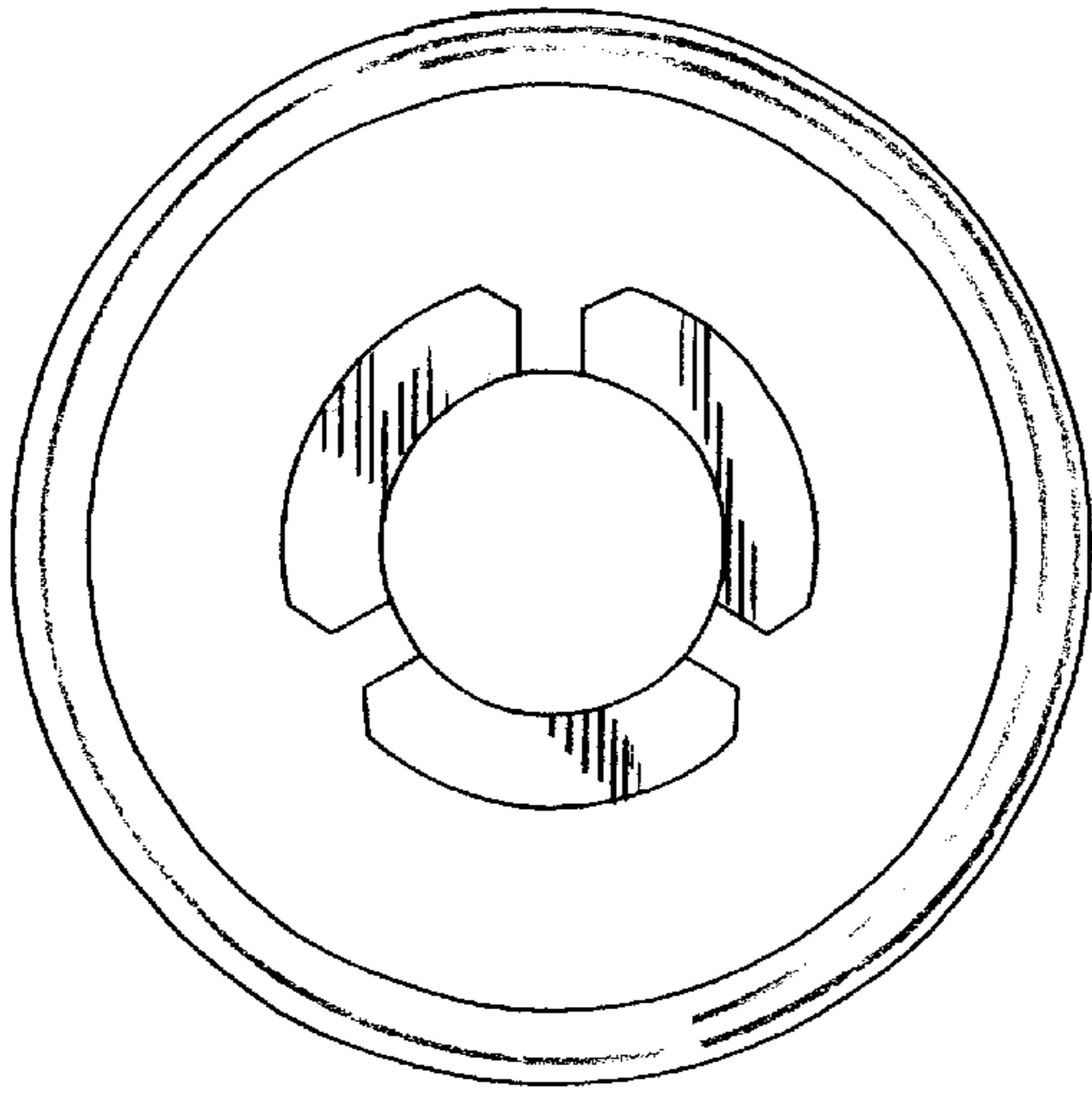


Figure 5

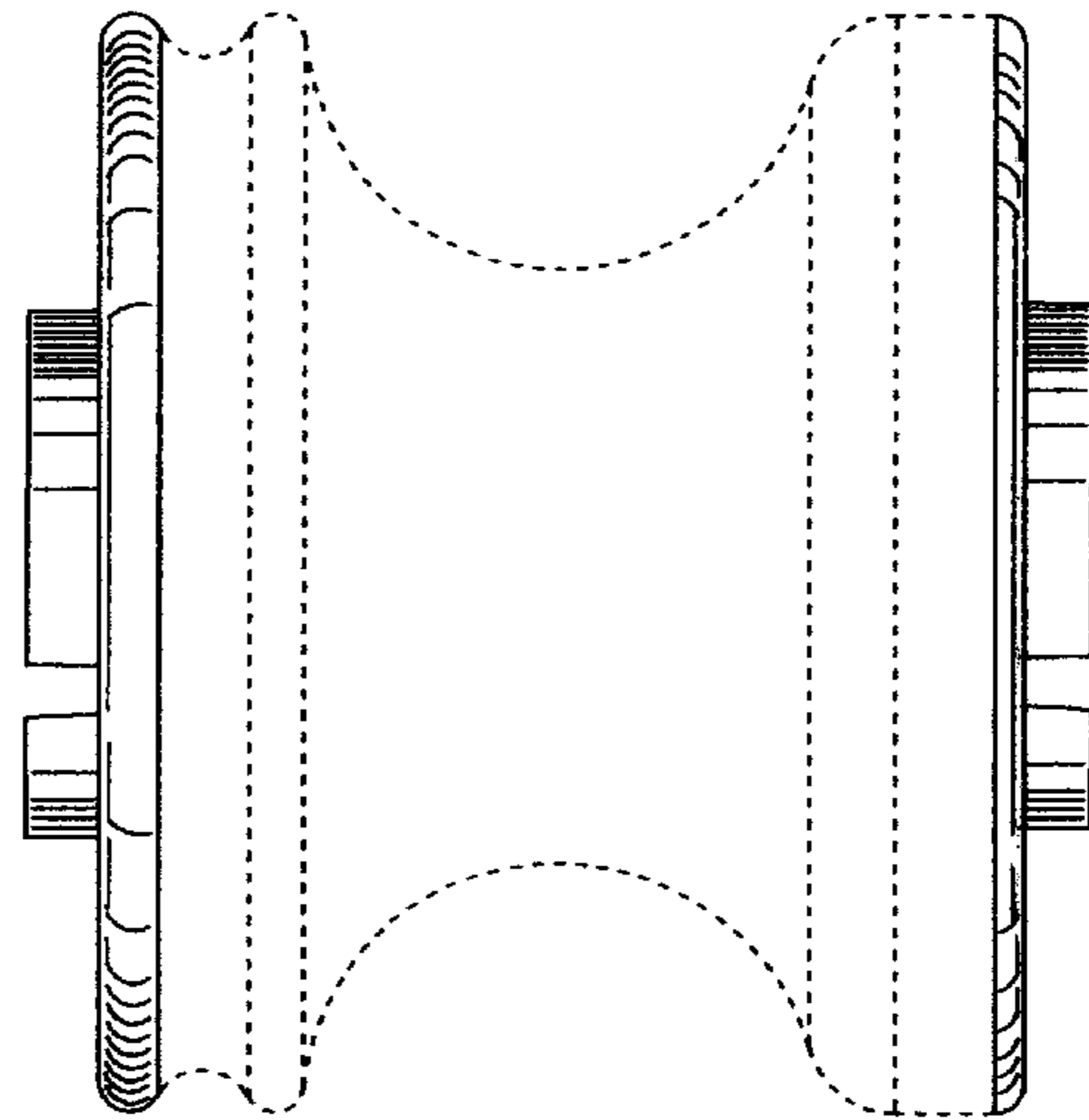


Figure 6

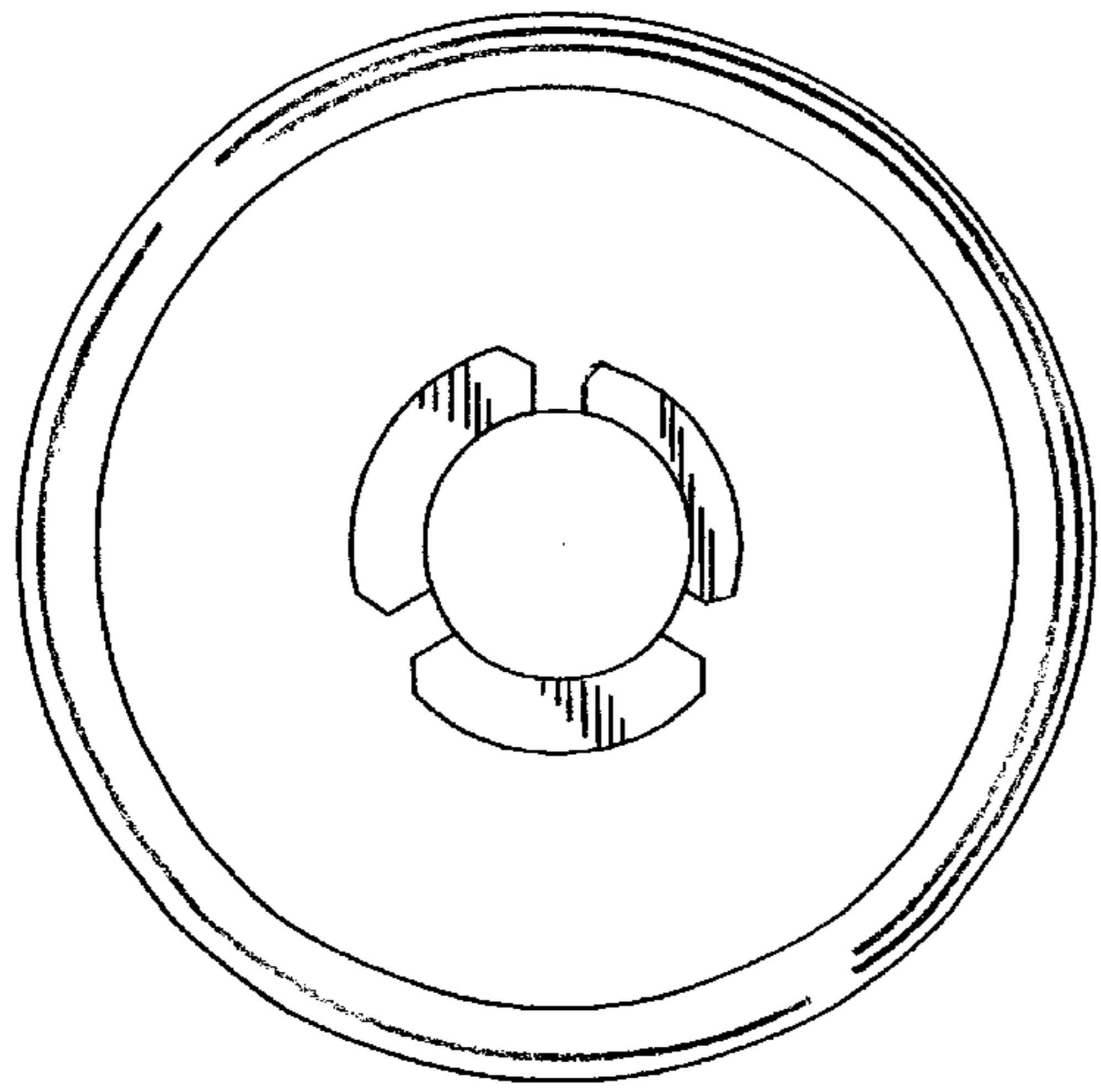


Figure 7

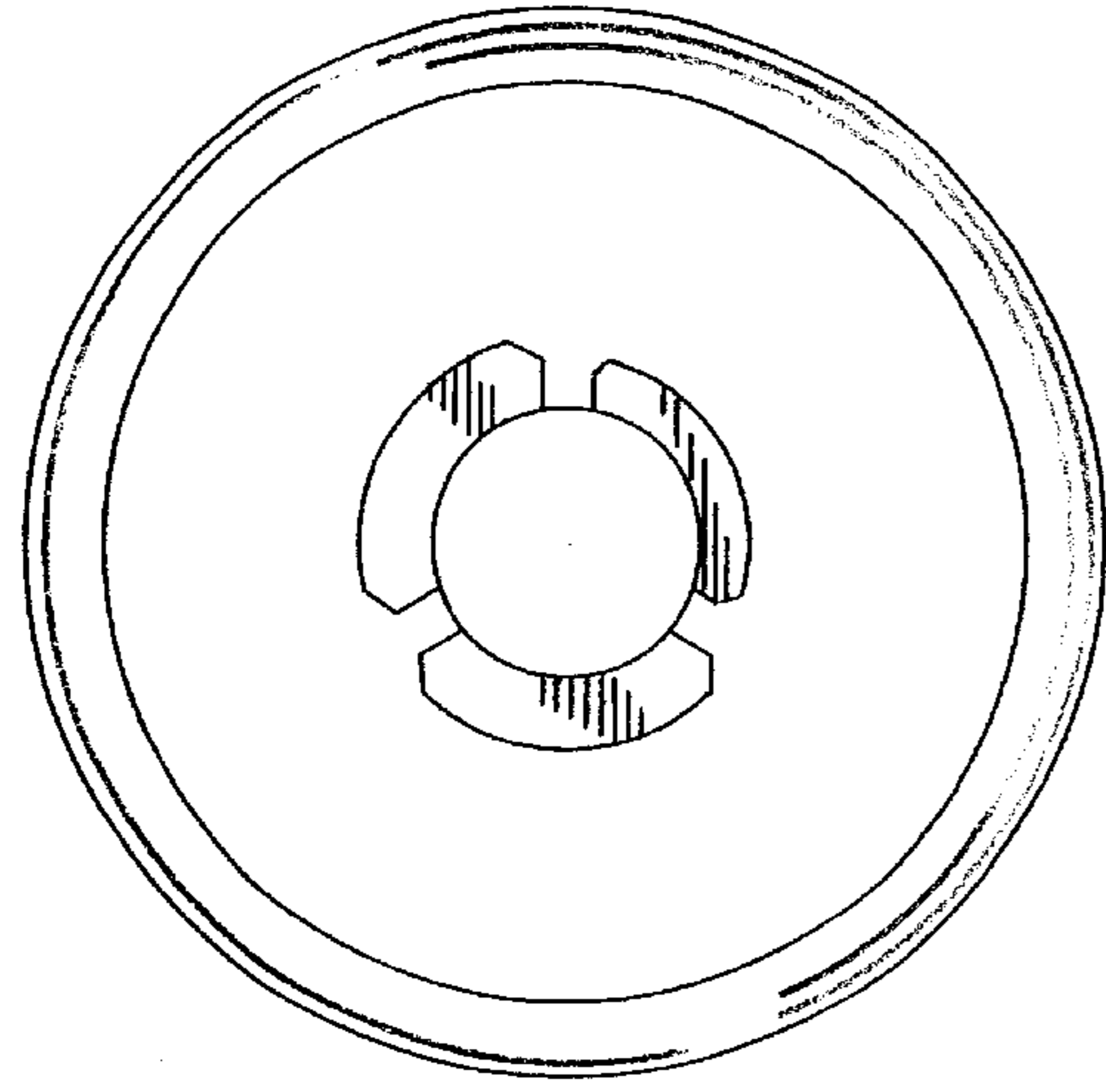


Figure 8

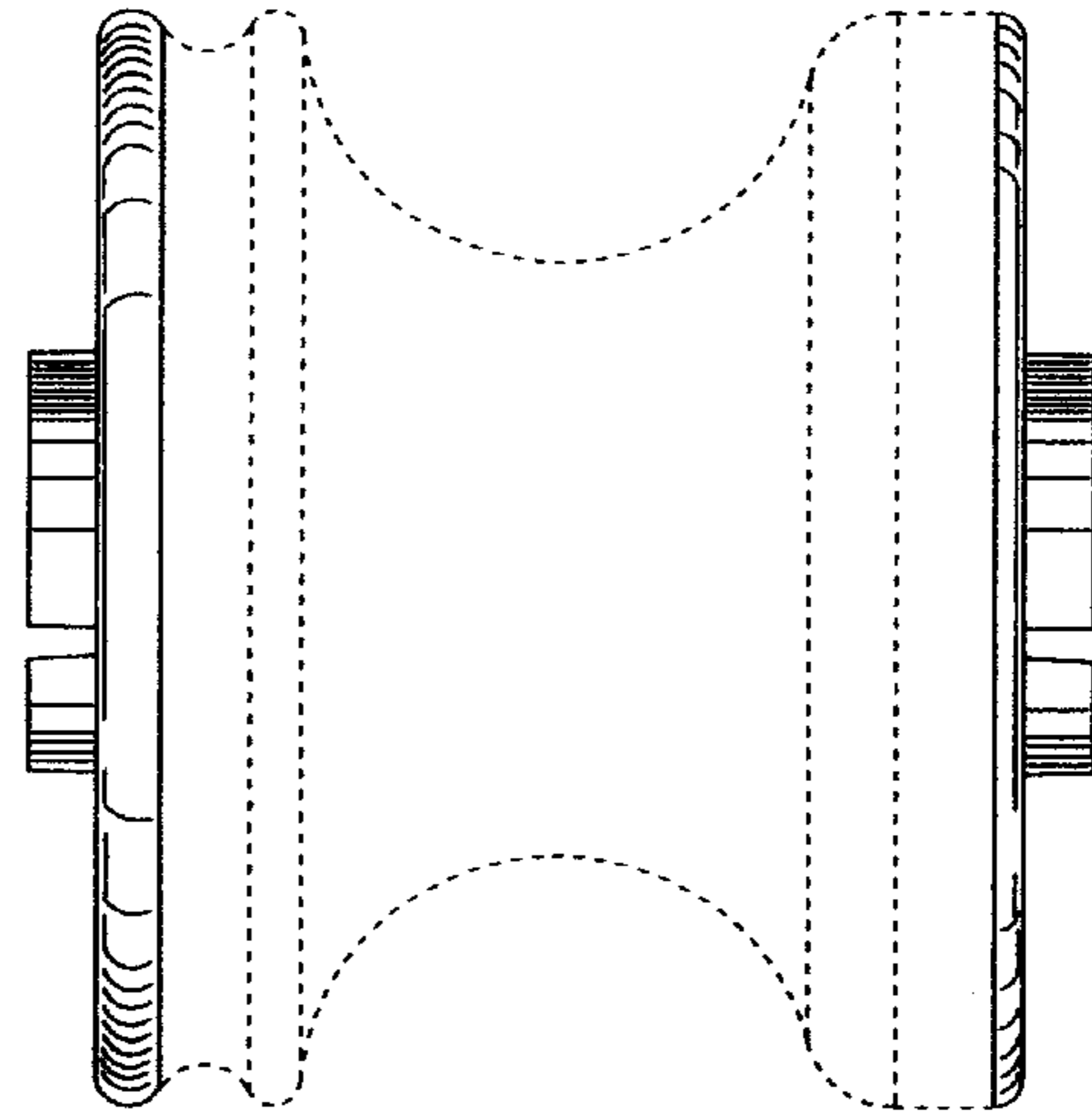


Figure 9