

US00D545269S

(12) **United States Design Patent**
Dayan

(10) **Patent No.:** **US D545,269 S**

(45) **Date of Patent:** **** Jun. 26, 2007**

(54) **PORTABLE POWER AND AIR STATION**

(75) Inventor: **Maurice S. Dayan**, Oakhurst, NJ (US)

(73) Assignee: **Intellectual Solutions, Inc.**

(**) Term: **14 Years**

(21) Appl. No.: **29/237,042**

(22) Filed: **Aug. 25, 2005**

(51) **LOC (8) Cl.** **13-02**

(52) **U.S. Cl.** **D13/107**

(58) **Field of Classification Search** D13/106-110,
D13/118-119, 184; D14/251, 253, 432,
D14/434; 320/103-105, 107-115

See application file for complete search history.

(56) **References Cited**

U.S. PATENT DOCUMENTS

D444,125 S *	6/2001	Shy	D13/110
D466,077 S *	11/2002	Wang	D13/110
D466,475 S *	12/2002	Super et al.	D13/107
D482,324 S *	11/2003	James et al.	D13/107
D484,852 S *	1/2004	James et al.	D13/107
D495,993 S *	9/2004	Krieger et al.	D13/107
D503,377 S *	3/2005	Krieger et al.	D13/107
D504,396 S *	4/2005	Hussaini et al.	D13/107
D506,181 S *	6/2005	Krieger et al.	D13/107
D514,508 S *	2/2006	Krieger et al.	D13/107
D514,509 S *	2/2006	Krieger et al.	D13/107
D530,664 S *	10/2006	Wingerter et al.	D13/107
D530,665 S *	10/2006	Krieger et al.	D13/107

* cited by examiner

Primary Examiner—Alan P. Douglas

Assistant Examiner—Rosemary K. Tarcza

(74) *Attorney, Agent, or Firm*—Brian L. Belles; Wolf, Block, Schorr & Solis-Cohen LLP

(57) **CLAIM**

The ornamental design for a portable power and air station, as shown and described.

DESCRIPTION

FIG. 1 is a right-side perspective view of a portable power and air station showing my design.

FIG. 2 is a front view of the portable power and air station of FIG. 1.

FIG. 3 is a rear view of the portable power and air station of FIG. 1.

FIG. 4 is a right side view of the portable power and air station of FIG. 1.

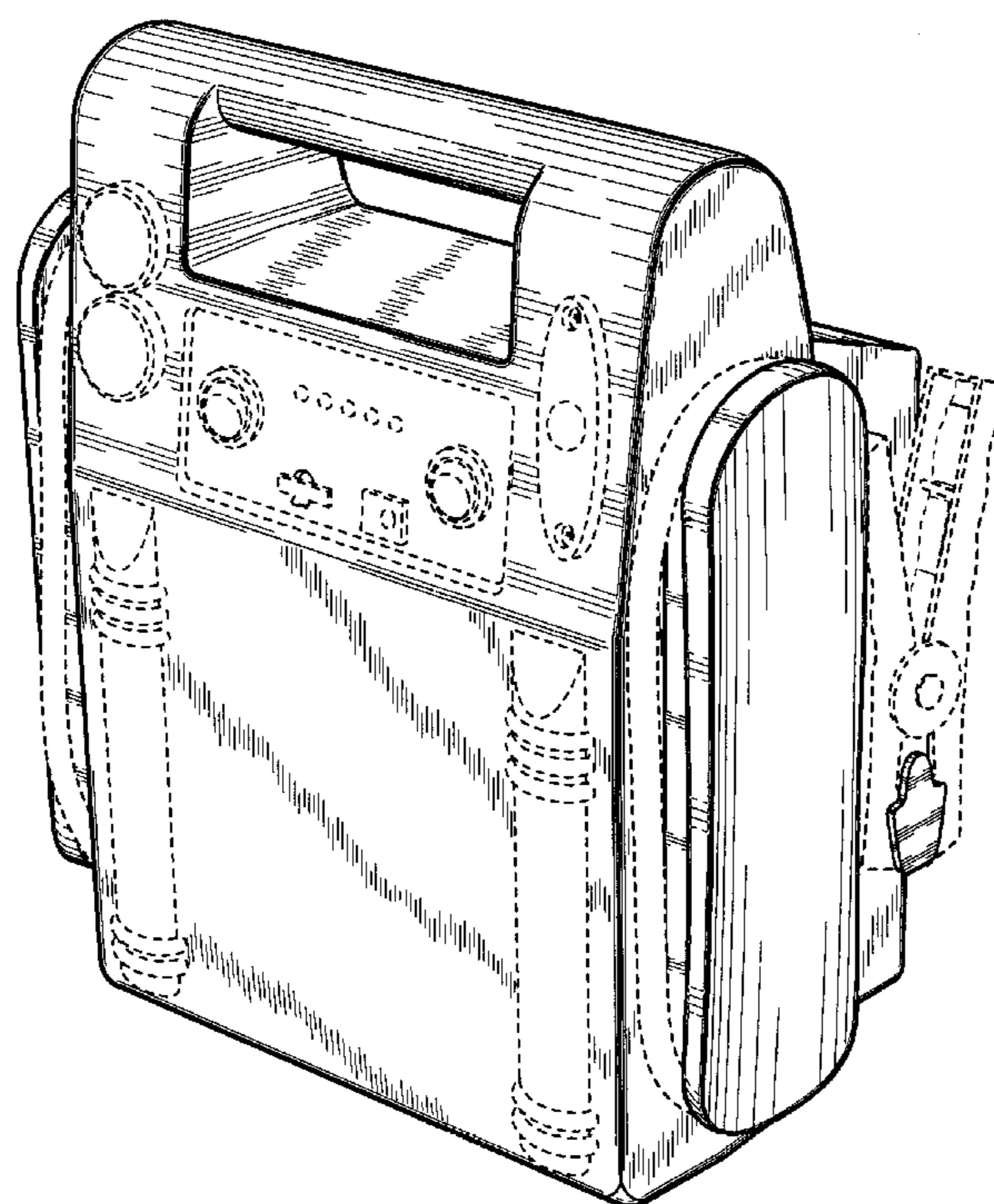
FIG. 5 is a left side view of the portable power and air station of FIG. 1.

FIG. 6 is a top view of the portable power and air station of FIG. 1; and,

FIG. 7 is a top view of the portable power and air station of FIG. 1.

Elements of the portable power and air station illustrated in broken lines are not intended to form part of the claimed design but merely exemplify one possible embodiment of the invention.

1 Claim, 7 Drawing Sheets



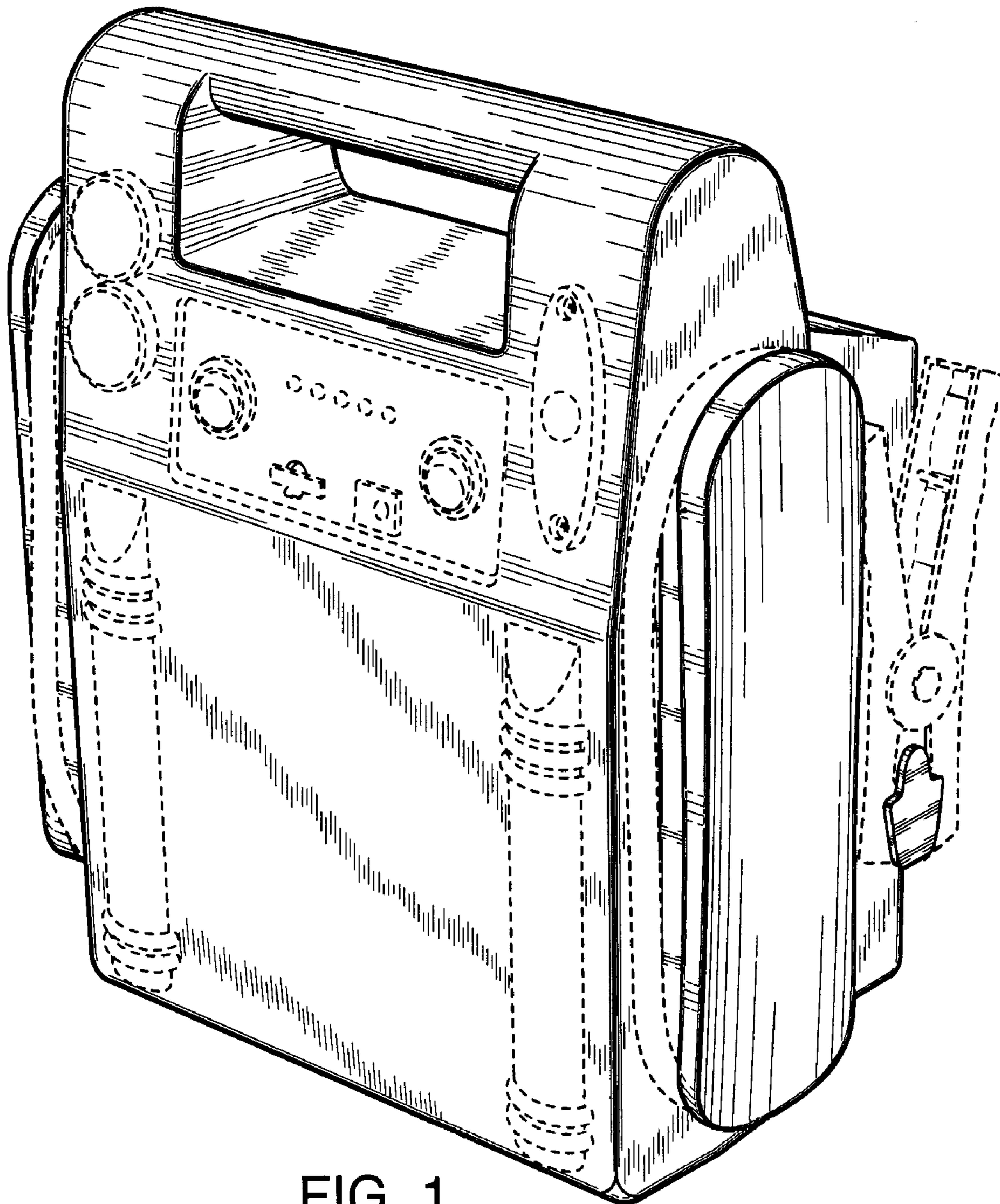


FIG. 1

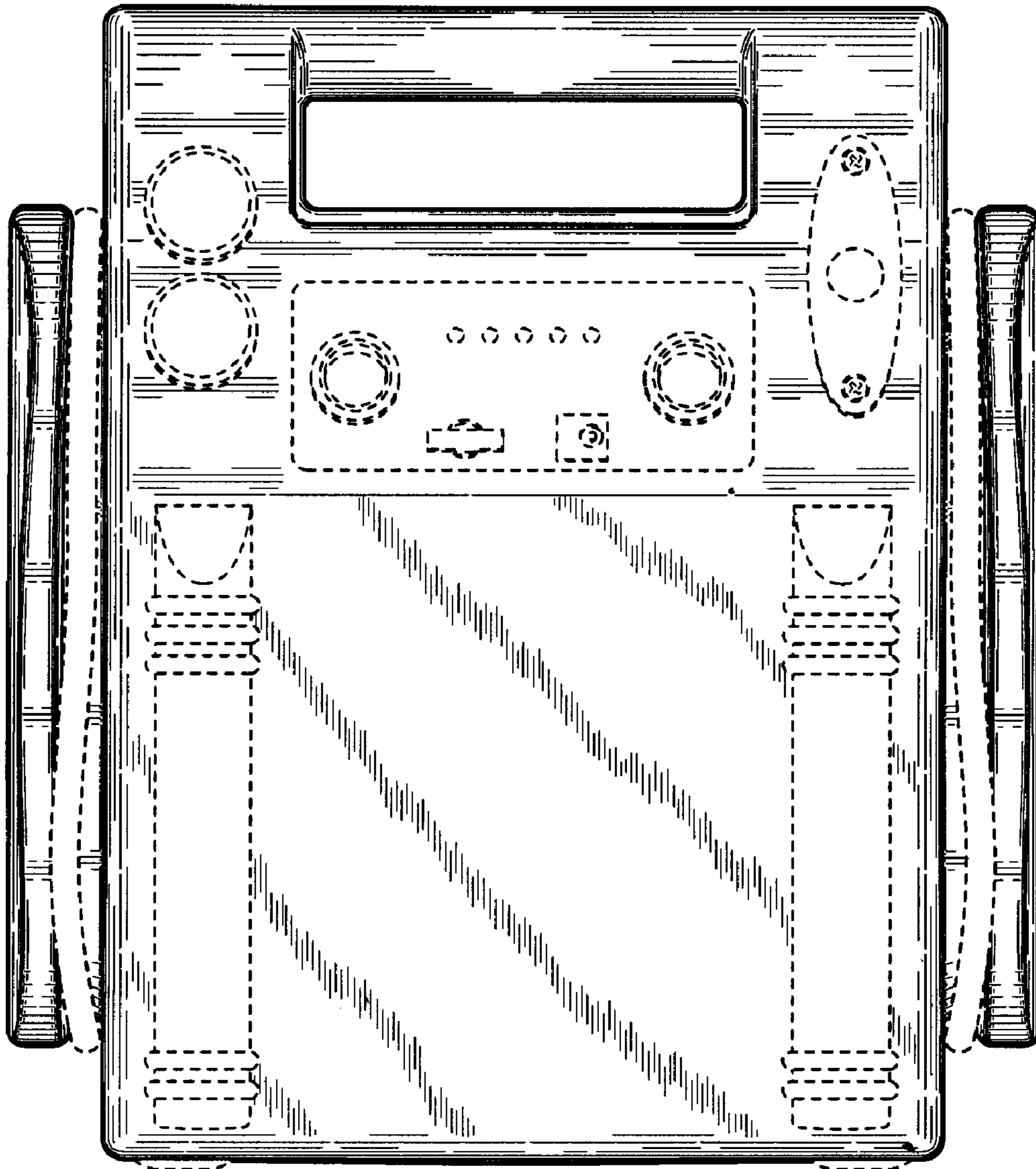


FIG. 2

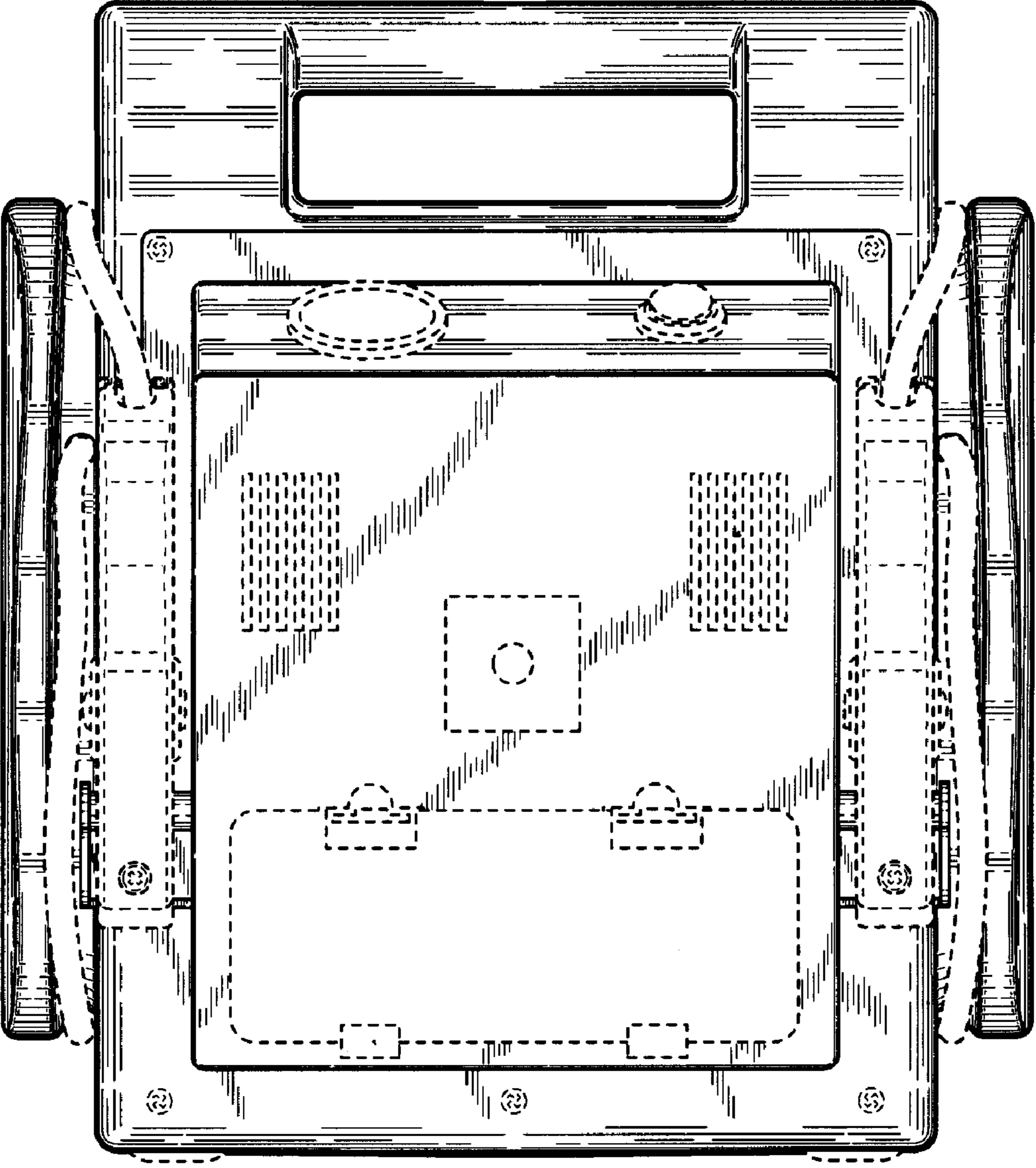


FIG. 3

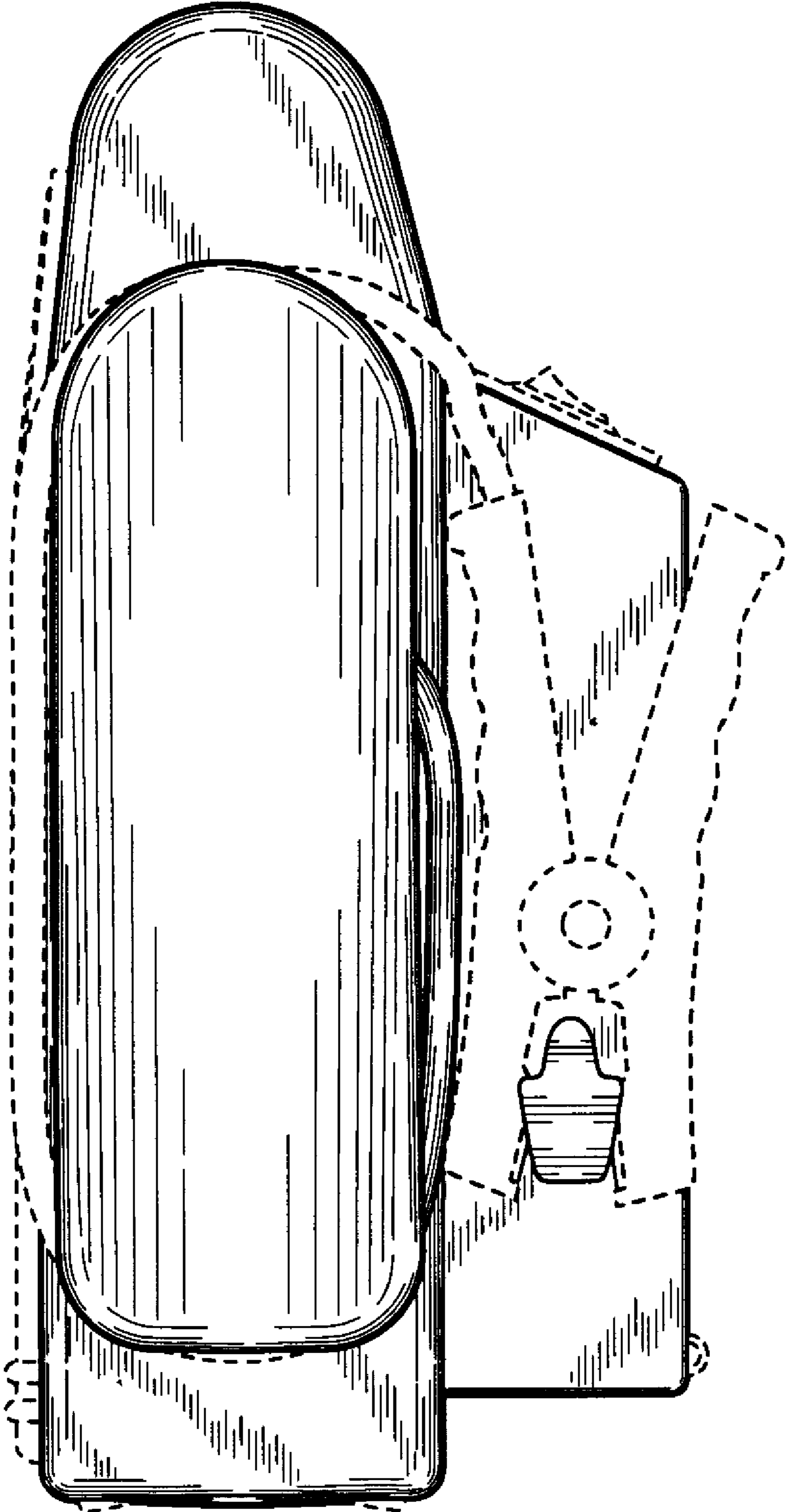


FIG. 4

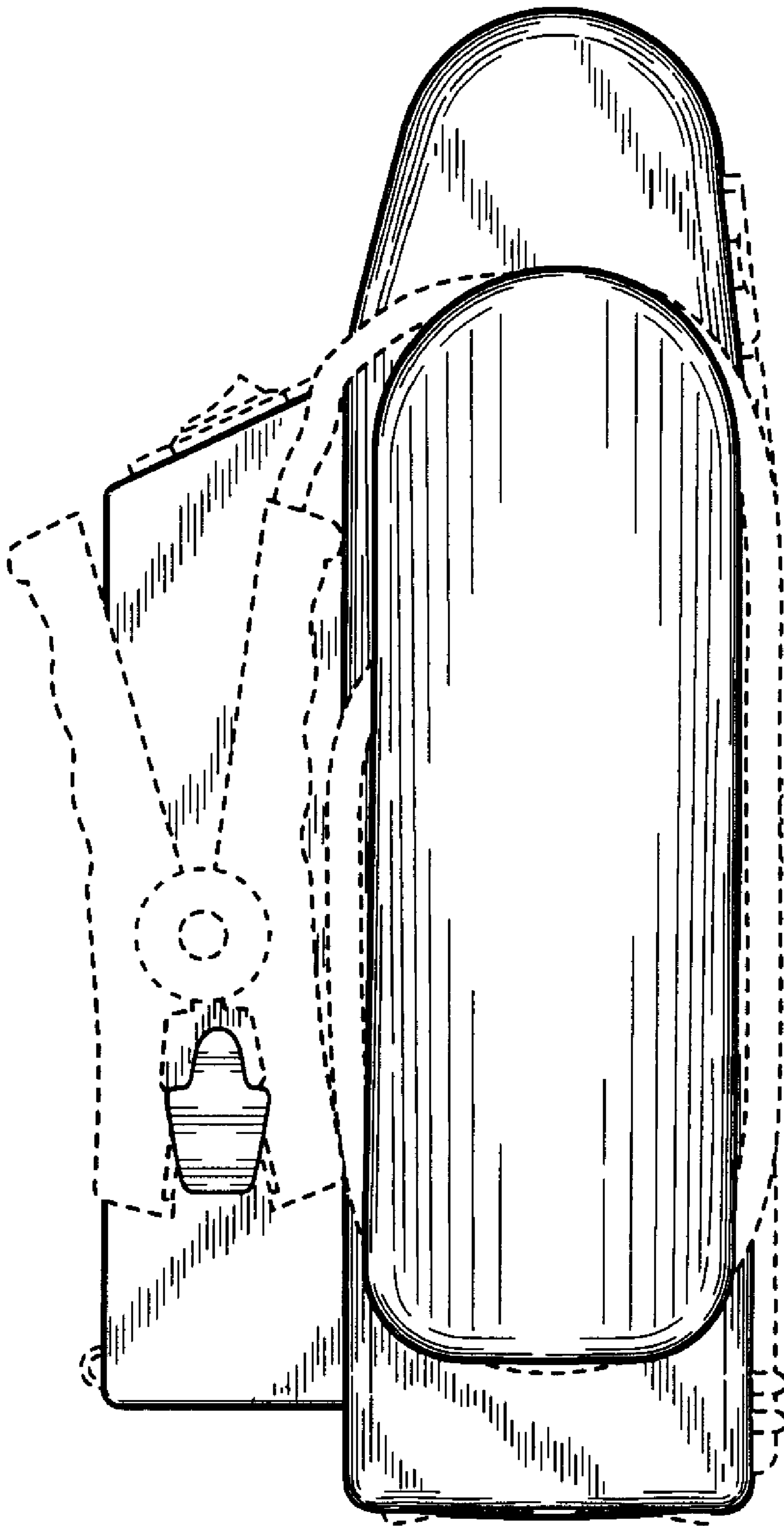


FIG. 5

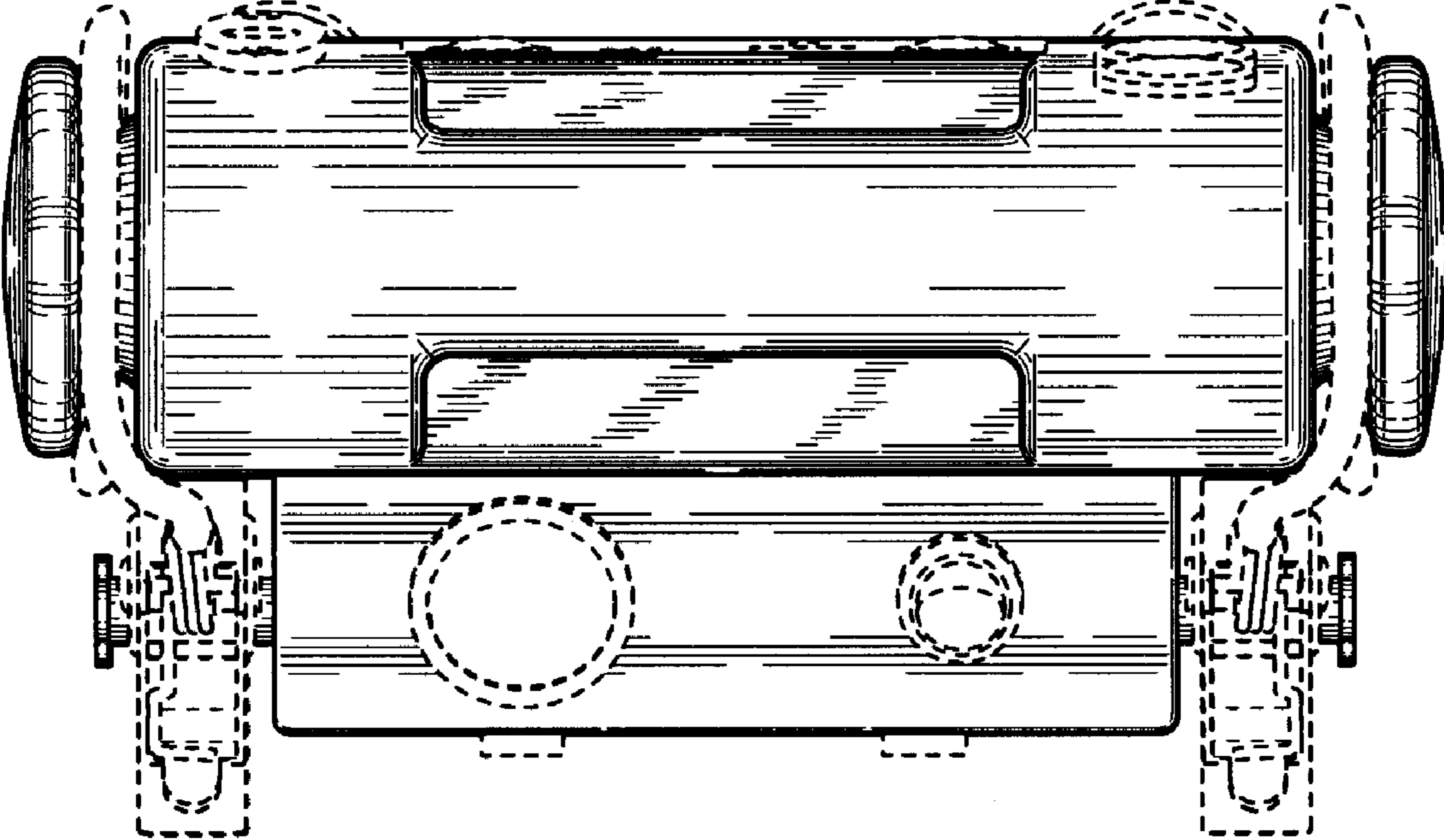


FIG. 6

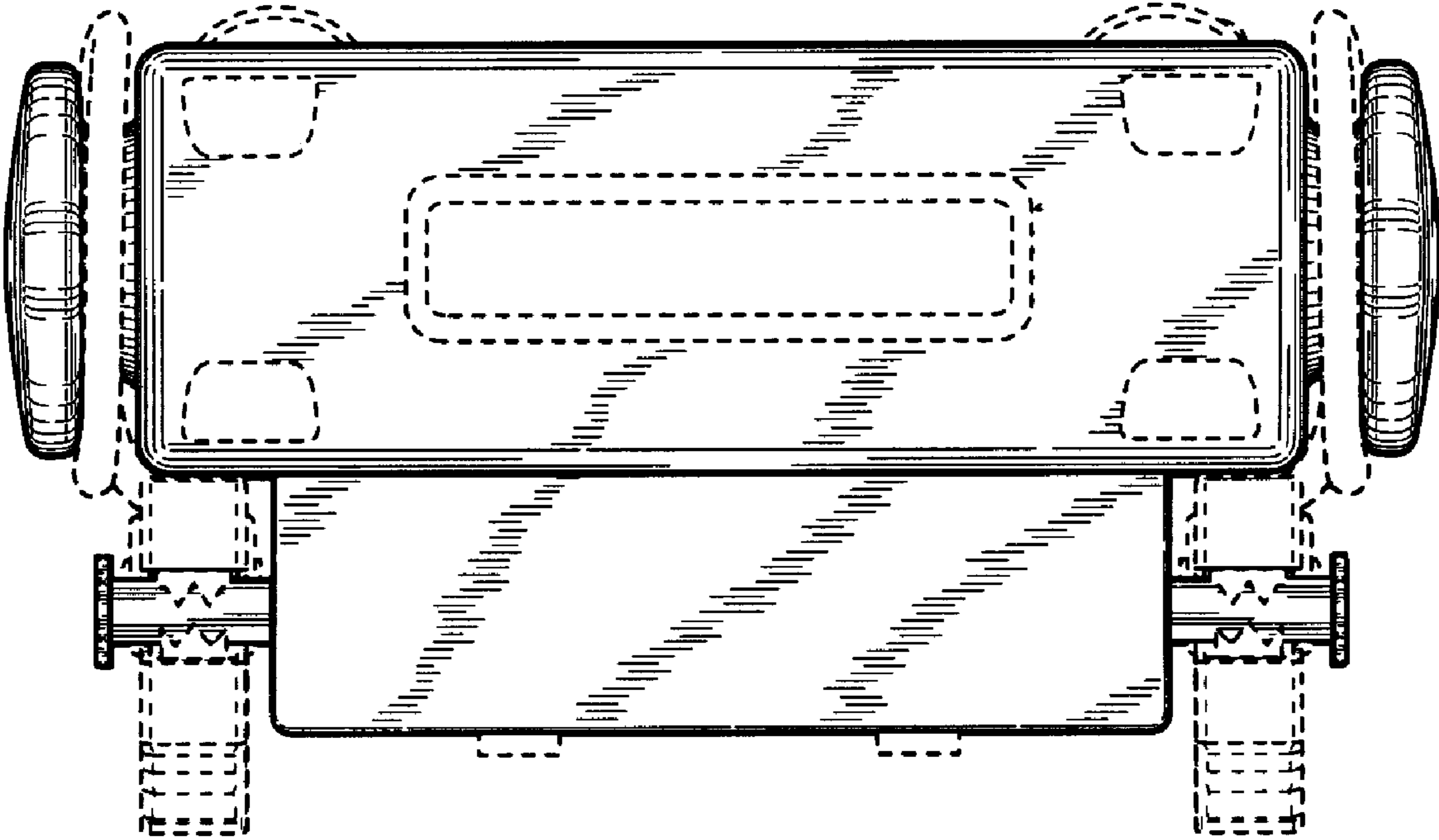


FIG. 7