

US00D545263S

(12) **United States Design Patent**  
**Ziaylek et al.**

(10) **Patent No.:** **US D545,263 S**  
(45) **Date of Patent:** **\*\* Jun. 26, 2007**

(54) **POWERED LADDER STORAGE APPARATUS FOR USE WITH A VEHICLE**

(75) Inventors: **Michael P. Ziaylek**, 15 Cold Spring Ave., Yardley, PA (US) 19067; **Cielito B. Agoncillo**, Newtown, PA (US)

(73) Assignees: **Michael P. Ziaylek**, Yardley, PA (US); **Theodore Ziaylek, Jr.**, Yardley, PA (US); **Theodore P. Ziaylek**, Yardley, PA (US)

(\*\*) Term: **14 Years**

(21) Appl. No.: **29/214,832**

(22) Filed: **Oct. 8, 2004**

(51) **LOC (8) Cl.** ..... **12-16**

(52) **U.S. Cl.** ..... **D12/400**

(58) **Field of Classification Search** ..... D12/400, D12/98-99, 406, 412, 414, 424-425; D6/512-513, D6/552, 567, 573-574; D25/64, 66, 68-69; 182/15, 64.1, 68.1, 102-103

See application file for complete search history.

(56) **References Cited**

**U.S. PATENT DOCUMENTS**

- 527,942 A \* 10/1894 Oairnes ..... 182/15
- 3,043,398 A \* 7/1962 Bakula ..... 182/127
- 3,197,036 A \* 7/1965 Mason ..... 212/231

- D245,247 S \* 8/1977 Russell et al. .... D12/412
- D438,413 S \* 3/2001 Hawkins ..... D6/513
- 2005/0079036 A1 \* 4/2005 Richter ..... 414/462
- 2005/0128442 A1 \* 6/2005 Huff ..... 353/119
- 2005/0236228 A1 \* 10/2005 Thibault ..... 182/127
- 2006/0185933 A1 \* 8/2006 Thibault ..... 182/127

\* cited by examiner

*Primary Examiner*—Robert M. Spear

*Assistant Examiner*—Katrina A. Kile

(74) *Attorney, Agent, or Firm*—Sperry, Zoda & Kane

(57) **CLAIM**

The ornamental design for a powered ladder storage apparatus for use with a vehicle, as shown.

**DESCRIPTION**

FIG. 1 is a top three-quarter perspective illustration embodying our new design;

FIG. 2 is a top plan view;

FIG. 3 is a bottom plan view;

FIG. 4 is an enlarged end view taken from the right in FIG. 1;

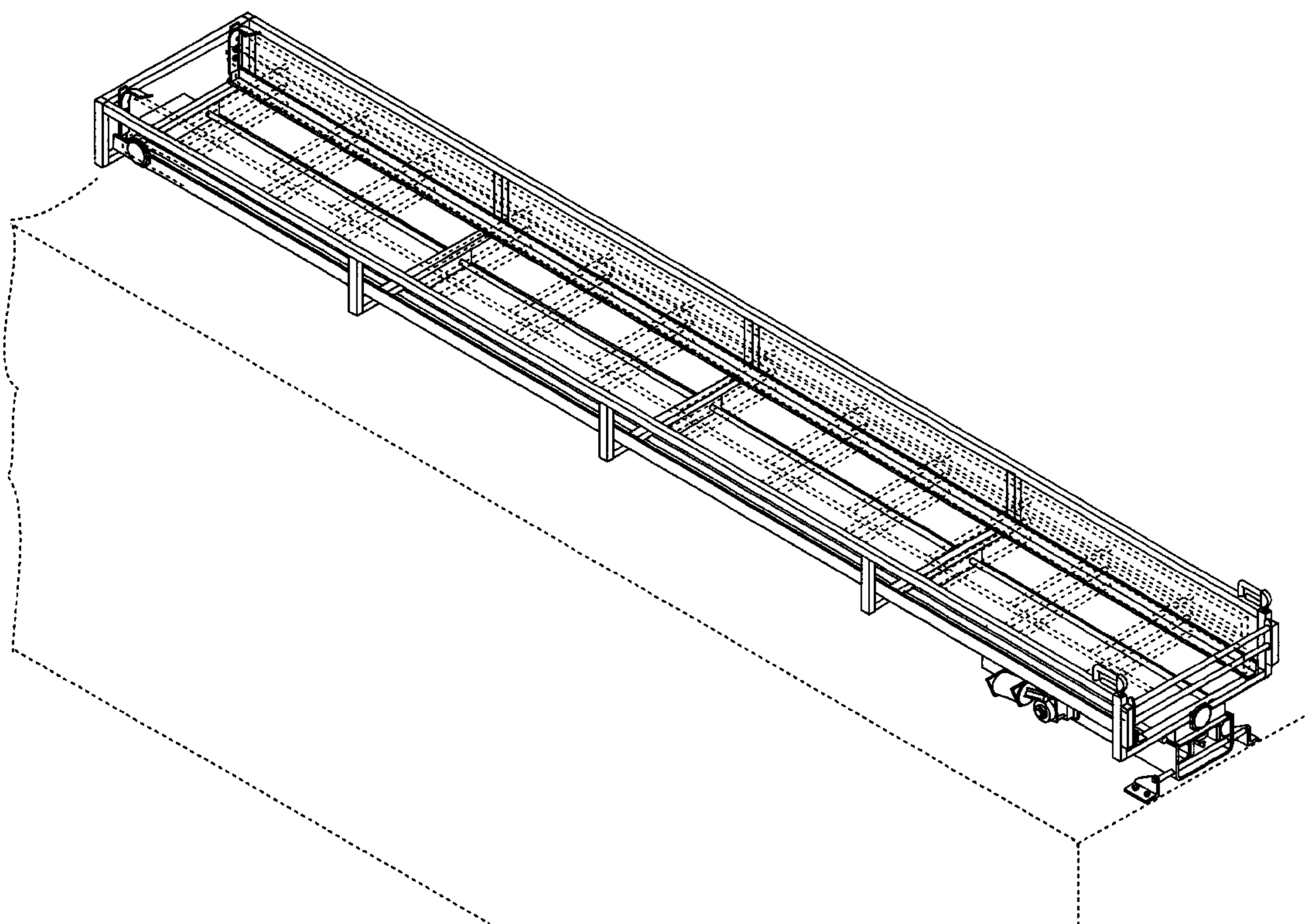
FIG. 5 is an enlarged end view taken from the left in FIG. 1;

FIG. 6 is a left side plan view; and,

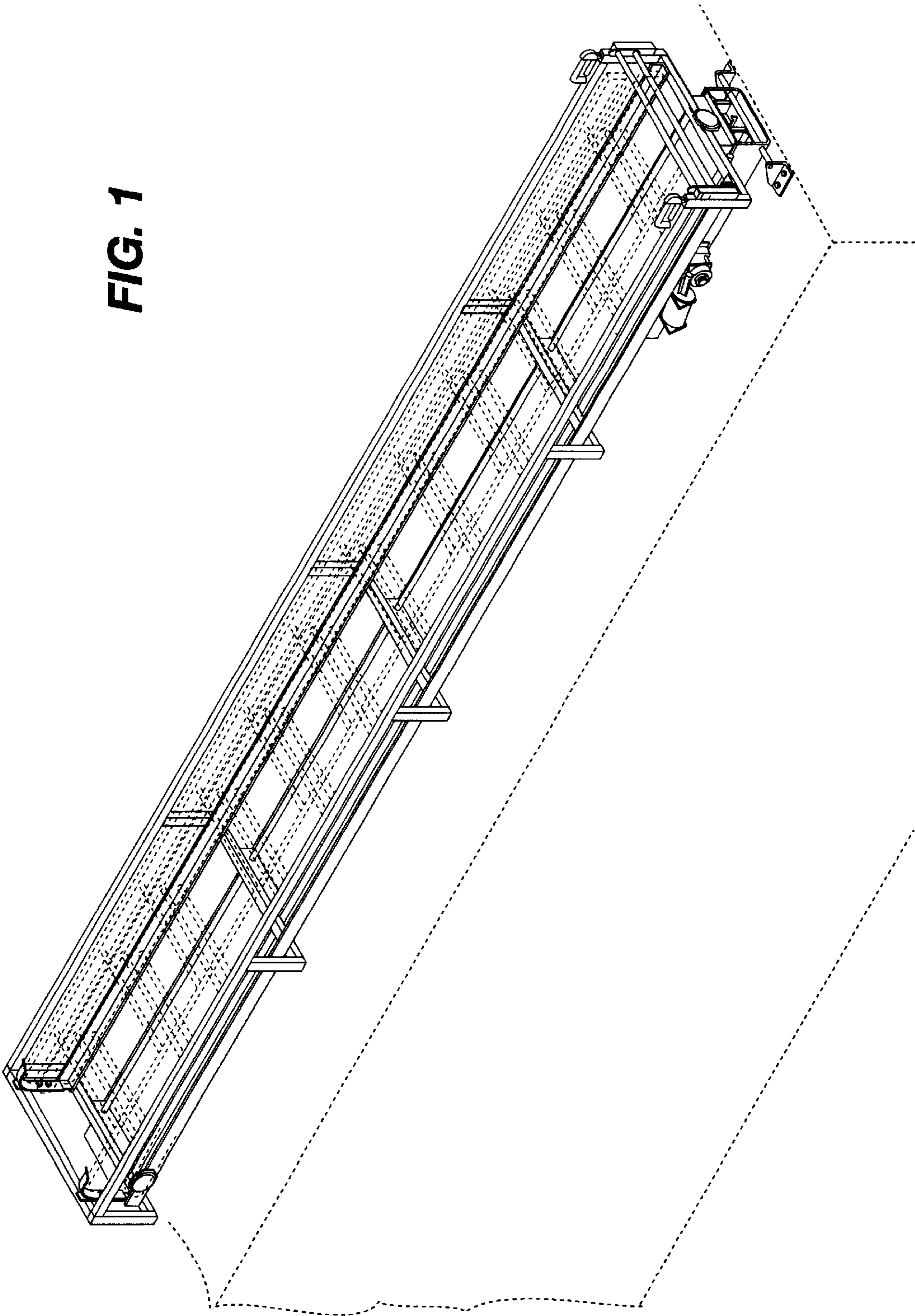
FIG. 7 is a right side plan view.

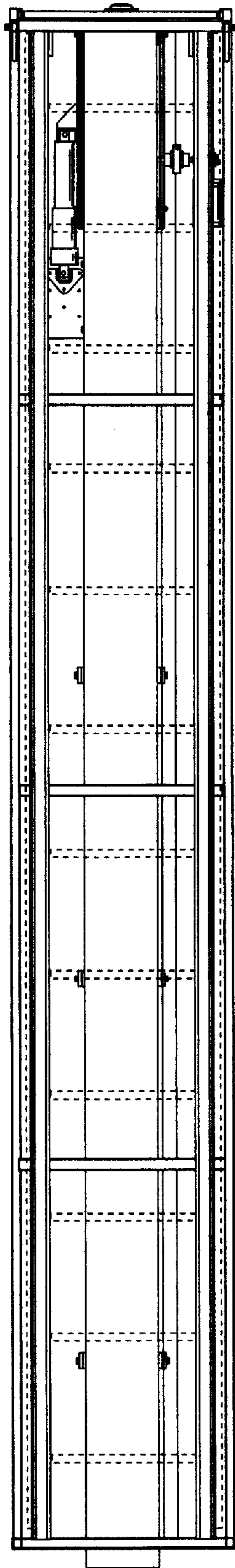
The broken lines are for the purpose of illustrating environment and form no part of the claimed design.

**1 Claim, 3 Drawing Sheets**

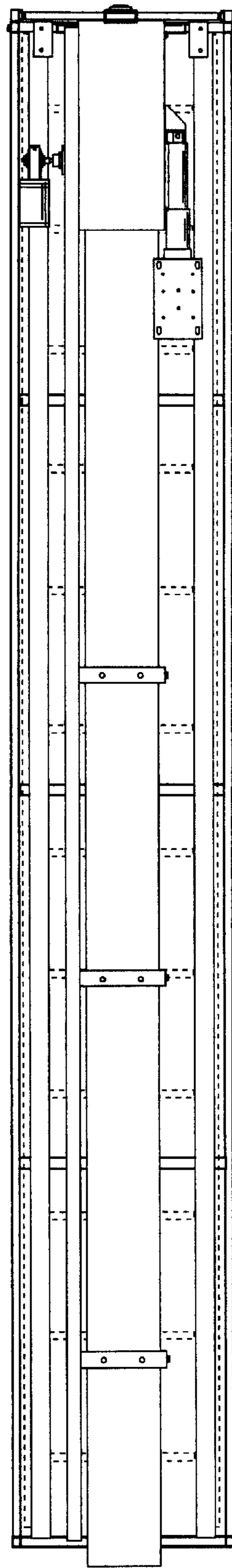


**FIG. 1**

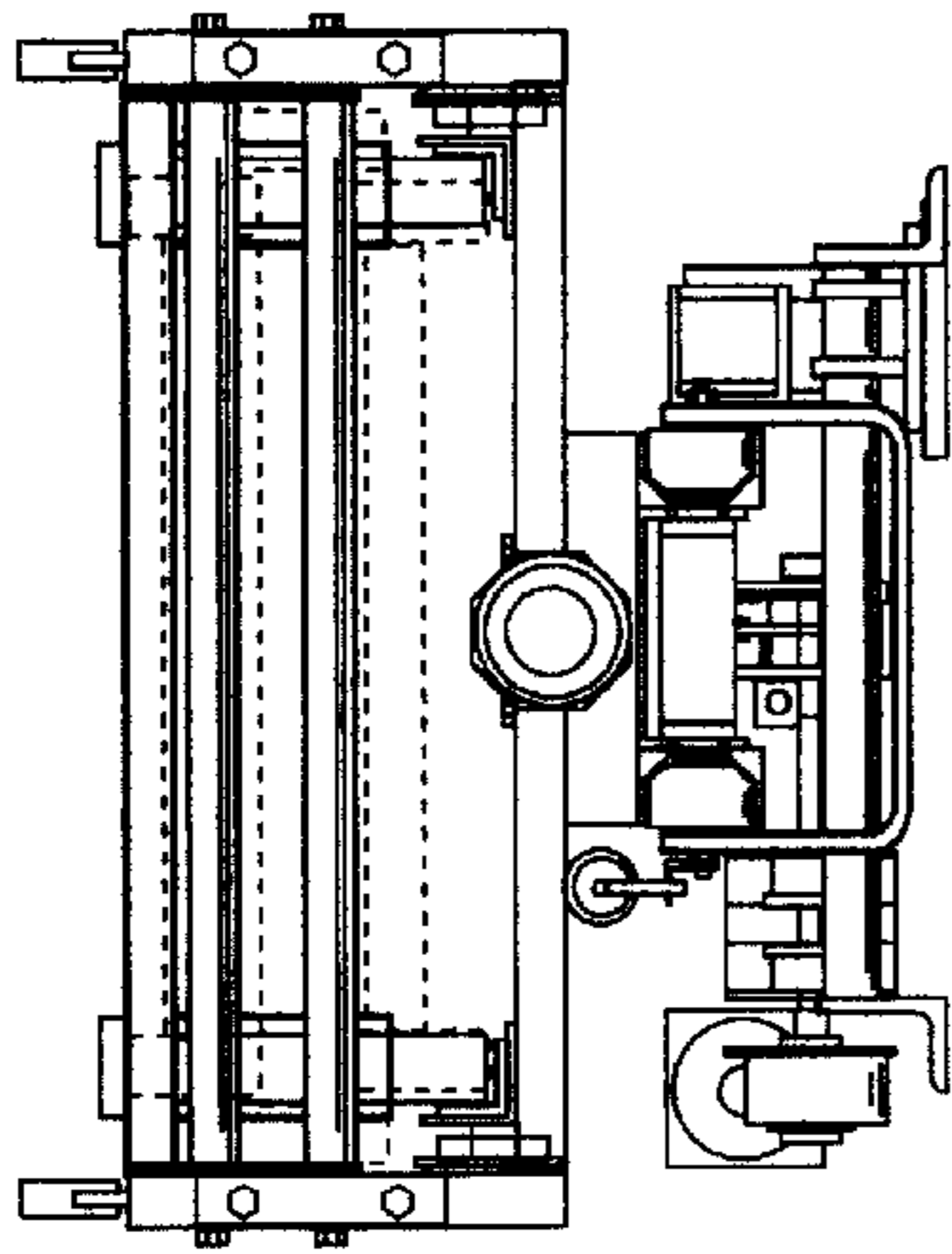




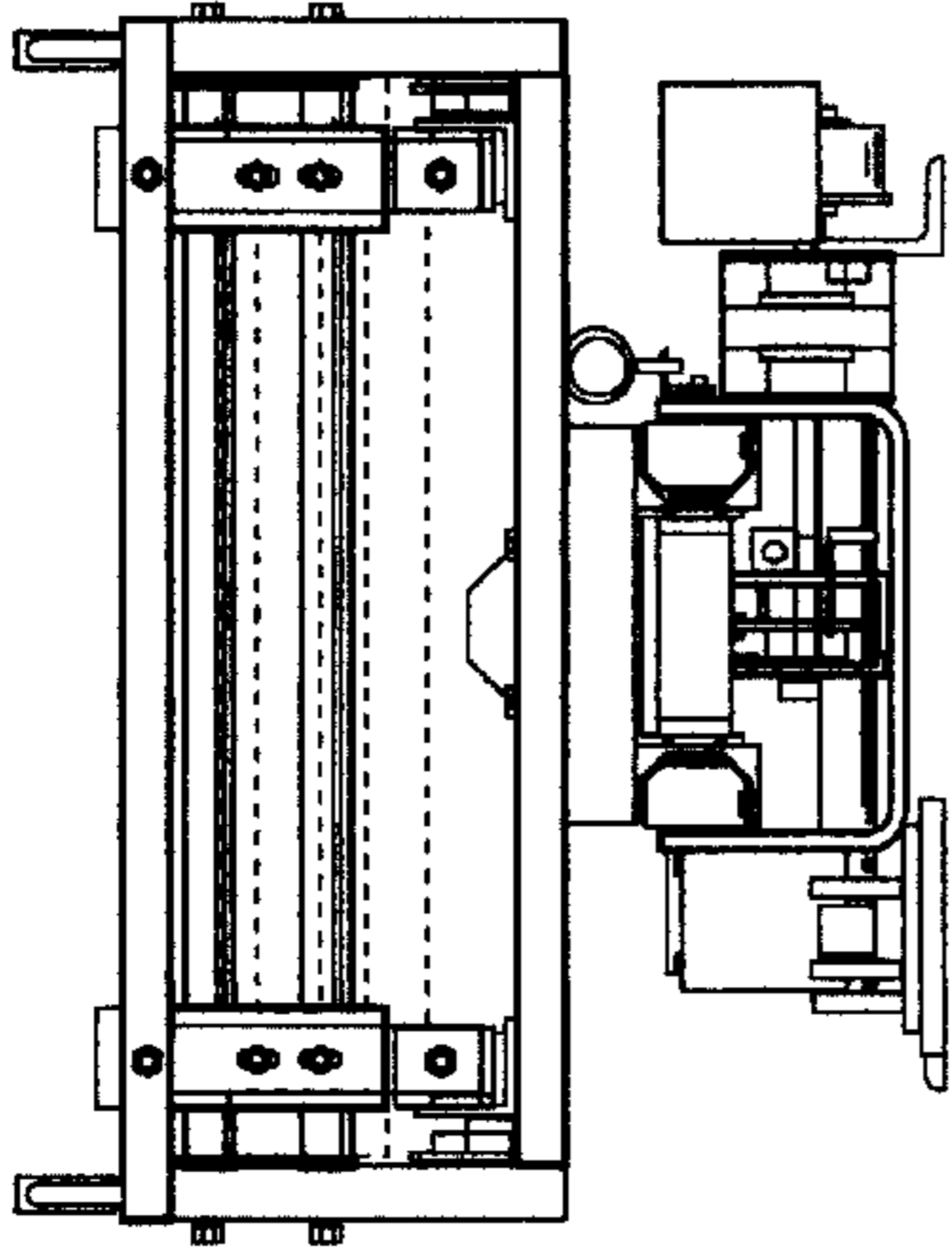
**FIG. 2**



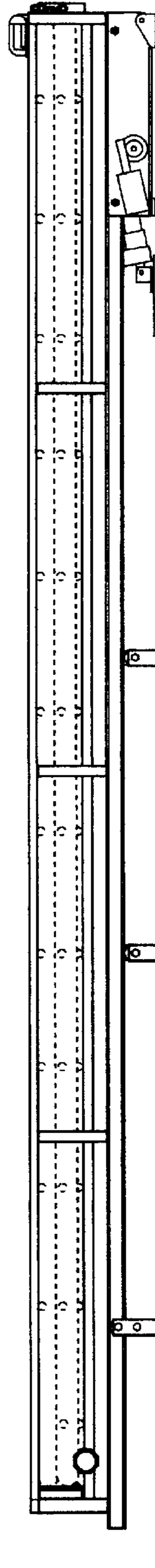
**FIG. 3**



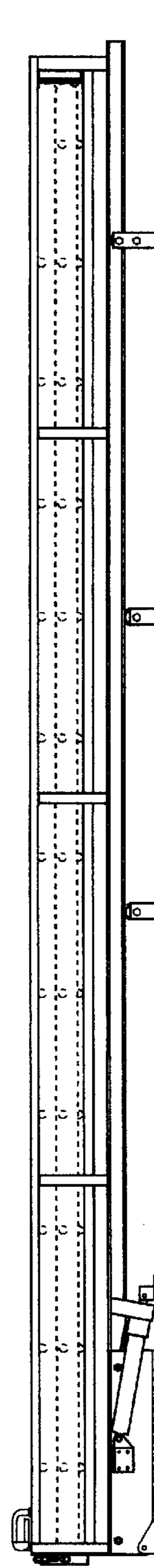
**FIG. 4**



**FIG. 5**



**FIG. 6**



**FIG. 7**