

US00D545261S

(12) **United States Design Patent**
Looho

(10) **Patent No.:** **US D545,261 S**
(45) **Date of Patent:** **** Jun. 26, 2007**

(54) **VEHICLE WHEEL**

(75) Inventor: **Justinus Looho**, Surabaya (ID)

(73) Assignee: **PT Prima Alloy Steel Universal**,
Sidoarjo (ID)

(**) Term: **14 Years**

(21) Appl. No.: **29/227,588**

(22) Filed: **Apr. 13, 2005**

(51) **LOC (8) Cl.** **12-16**

(52) **U.S. Cl.** **D12/209**

(58) **Field of Classification Search** D12/204–213;
301/37.101, 64.101, 65

See application file for complete search history.

(56) **References Cited**

U.S. PATENT DOCUMENTS

D452,211 S	*	12/2001	Takechi	D12/209
D456,331 S	*	4/2002	Chung	D12/209
D457,849 S	*	5/2002	Kataoka	D12/209
D480,345 S	*	10/2003	Kataoka	D12/209
D480,346 S	*	10/2003	Kataoka	D12/209
D495,285 S	*	8/2004	Phillips	D12/209
D495,986 S	*	9/2004	Walbey, Jr.	D12/211

D497,863 S	*	11/2004	Cahyono	D12/209
D499,062 S	*	11/2004	Cheng	D12/209
D500,977 S	*	1/2005	Kushartanto	D12/209
D505,372 S	*	5/2005	Kushartanto	D12/209
D507,774 S	*	7/2005	Calderone	D12/209
D508,885 S	*	8/2005	Marji	D12/209
D510,309 S	*	10/2005	Cheng	D12/211
D511,733 S	*	11/2005	van Hooydonk	D12/209

* cited by examiner

Primary Examiner—Stacia Cadmus

(74) *Attorney, Agent, or Firm*—Fulwider Patton LLP

(57) **CLAIM**

The ornamental design for a “vehicle wheel,” as shown and described.

DESCRIPTION

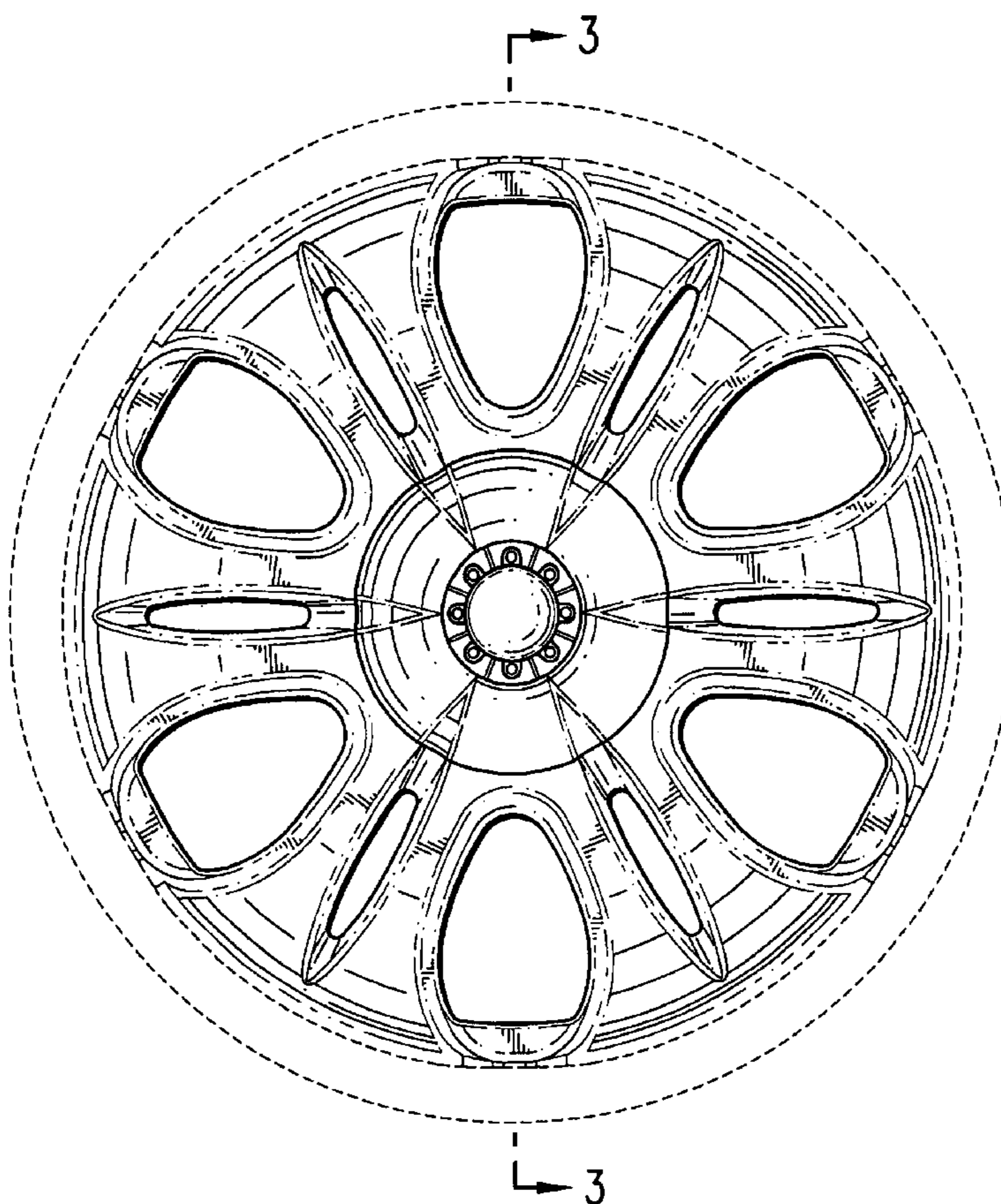
FIG. 1 is a perspective view of the vehicle wheel showing my new design;

FIG. 2 is a front elevational view thereof; and,

FIG. 3 is a cross-sectional view taken along the lines of 3—3 of FIG. 2.

The broken line showing of environment is for illustrative purposes only and forms no part of the claimed design.

1 Claim, 3 Drawing Sheets



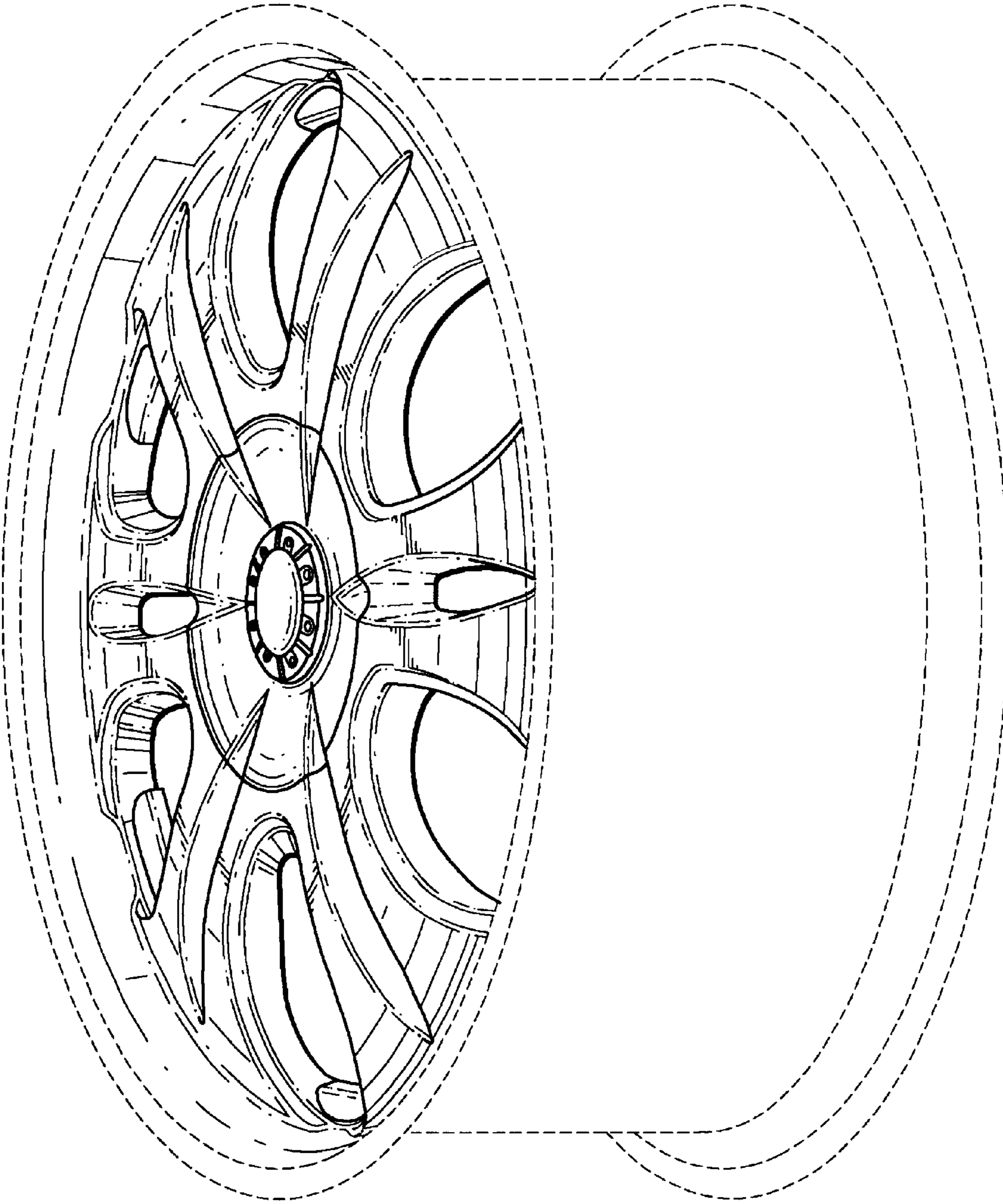


FIG. 1

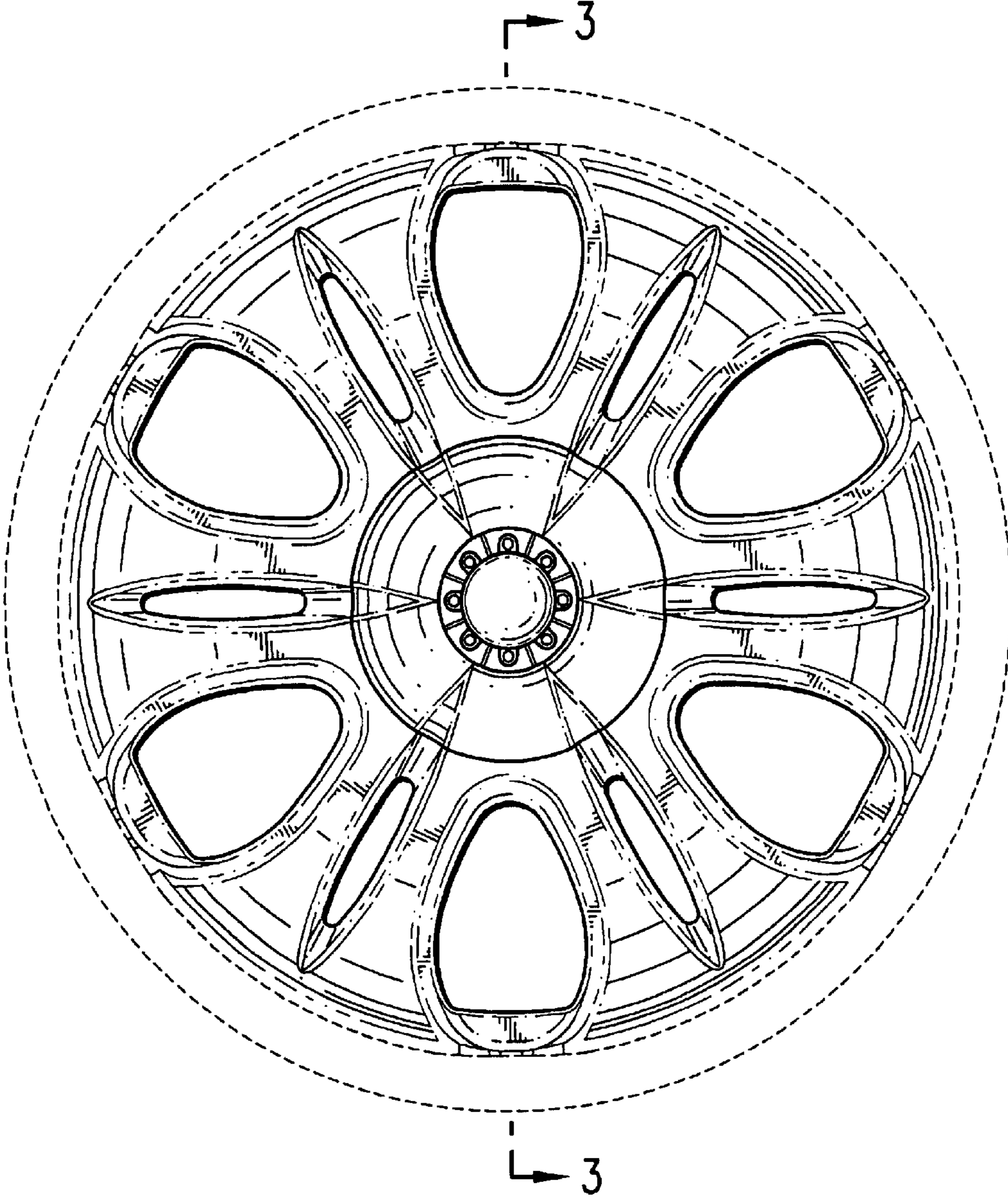


FIG. 2

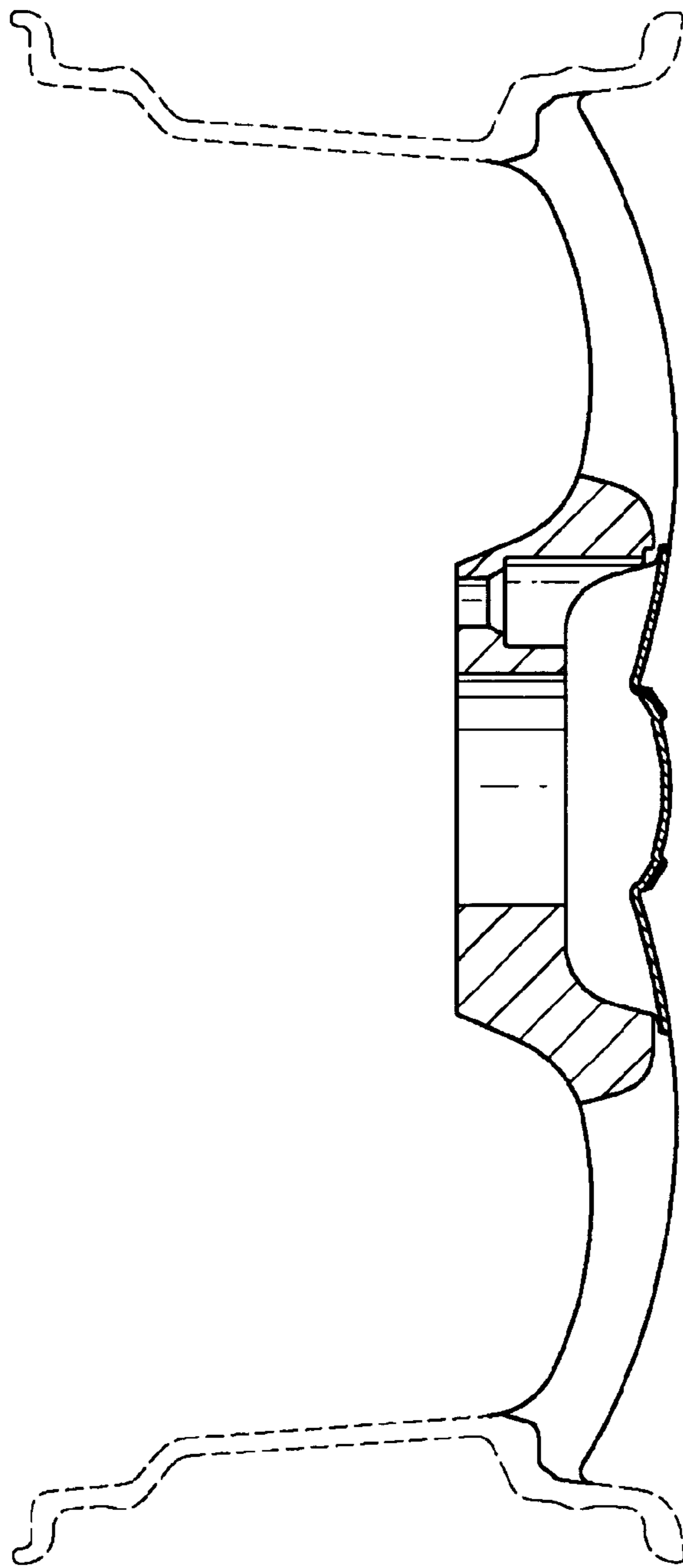


FIG. 3