

US00D545258S

(12) **United States Design Patent**
Teng

(10) **Patent No.:** **US D545,258 S**

(45) **Date of Patent:** **** Jun. 26, 2007**

(54) **SPOILER PLAQUE FOR AUTOMOBILE OR MOTORCYCLE**

(76) Inventor: **Wei-Cheng Teng**, No. 30-20, Lane 53, Jyun-an Street, Shu-Lin City, Taipei (TW)

(**) Term: **14 Years**

(21) Appl. No.: **29/269,058**

(22) Filed: **Nov. 20, 2006**

(51) **LOC (8) Cl.** **12-08**

(52) **U.S. Cl.** **D12/190**

(58) **Field of Classification Search** D12/190, D12/400, 90, 92, 199, 197, 196, 195, 415, D12/86, 171, 163; D11/132; 293/102, 115; 296/1.07-1.08, 205, 193.05, 193.06, 203.01, 296/203.03; D20/11; 40/413, 760, 591-594; 428/98-99, 31

See application file for complete search history.

(56) **References Cited**

U.S. PATENT DOCUMENTS

D162,049 S *	2/1951	Malachowski	D12/190
D190,637 S *	6/1961	Walker	D12/190
D192,416 S *	3/1962	Bordinat	D12/190
D199,487 S *	11/1964	Lentini	D12/197
D278,621 S *	4/1985	Scher	D12/190
D368,463 S *	4/1996	Kazenelson et al.	D12/190
D393,617 S *	4/1998	Smith et al.	D12/197
D443,852 S *	6/2001	Huang	D12/190

D453,315 S *	2/2002	Sacco et al.	D12/196
D458,200 S *	6/2002	Horowitz	D12/190
D497,860 S *	11/2004	Hoelzel et al.	D12/196
D505,898 S *	6/2005	Marchese et al.	D12/190
D512,947 S *	12/2005	Buerlein	D12/196

* cited by examiner

Primary Examiner—Stacia Cadmus

(74) *Attorney, Agent, or Firm*—Troxell Law Office, PLLC

(57) **CLAIM**

The ornamental design for a spoiler plaque for automobile or motorcycle, as shown and described.

DESCRIPTION

FIG. 1 is a perspective view of a spoiler plaque for automobile or motorcycle;

FIG. 2 is a front view thereof;

FIG. 3 is a back view thereof;

FIG. 4 is a left side view thereof;

FIG. 5 is a right side view thereof;

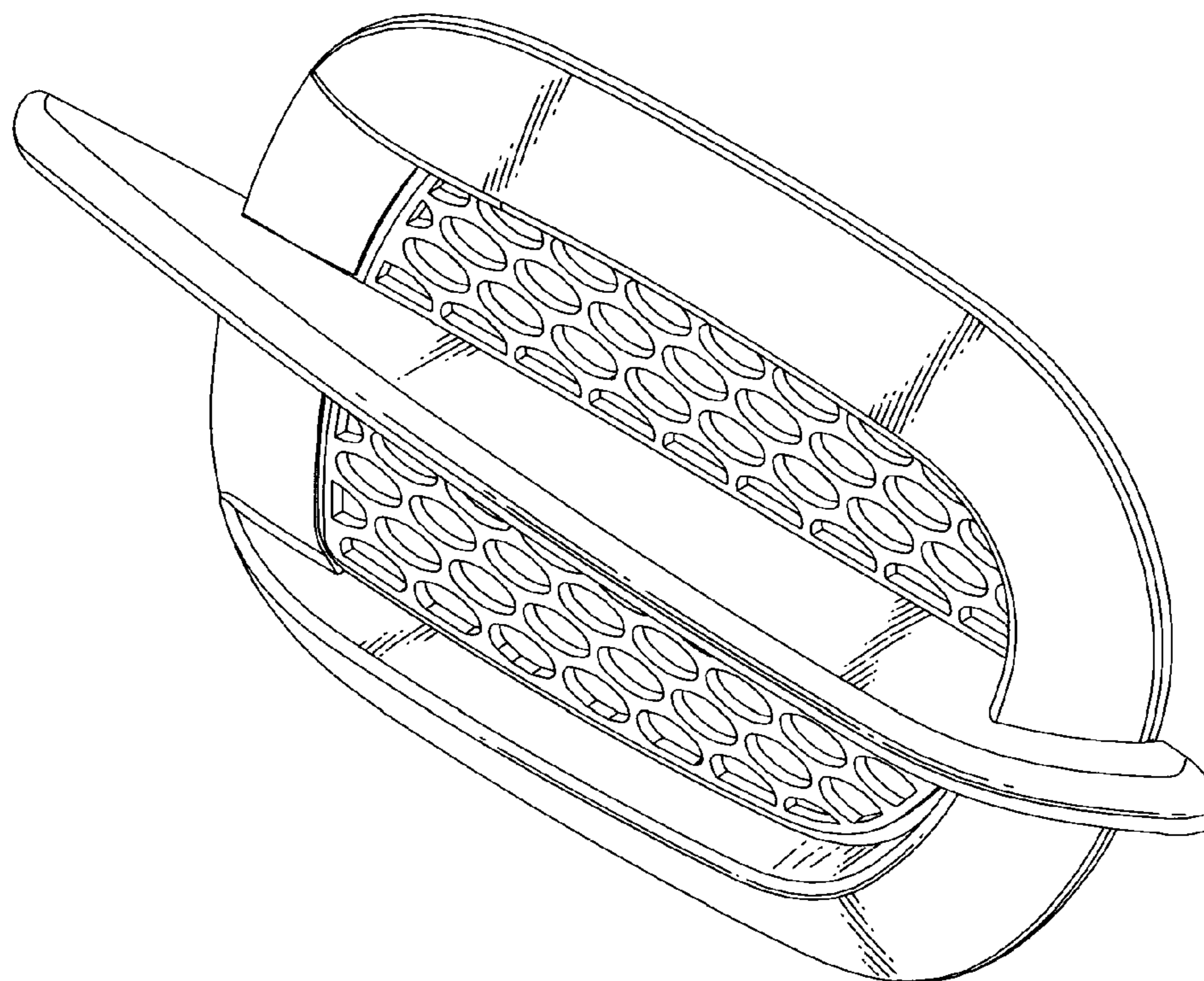
FIG. 6 is a top view thereof; and

FIG. 7 is a bottom view thereof; and,

FIG. 8 is a reduced perspective view, wherein the spoiler plaque is attached to the automobile.

The broken line showing of environment is for illustrative purposes only and forms no part of the claimed design.

1 Claim, 6 Drawing Sheets



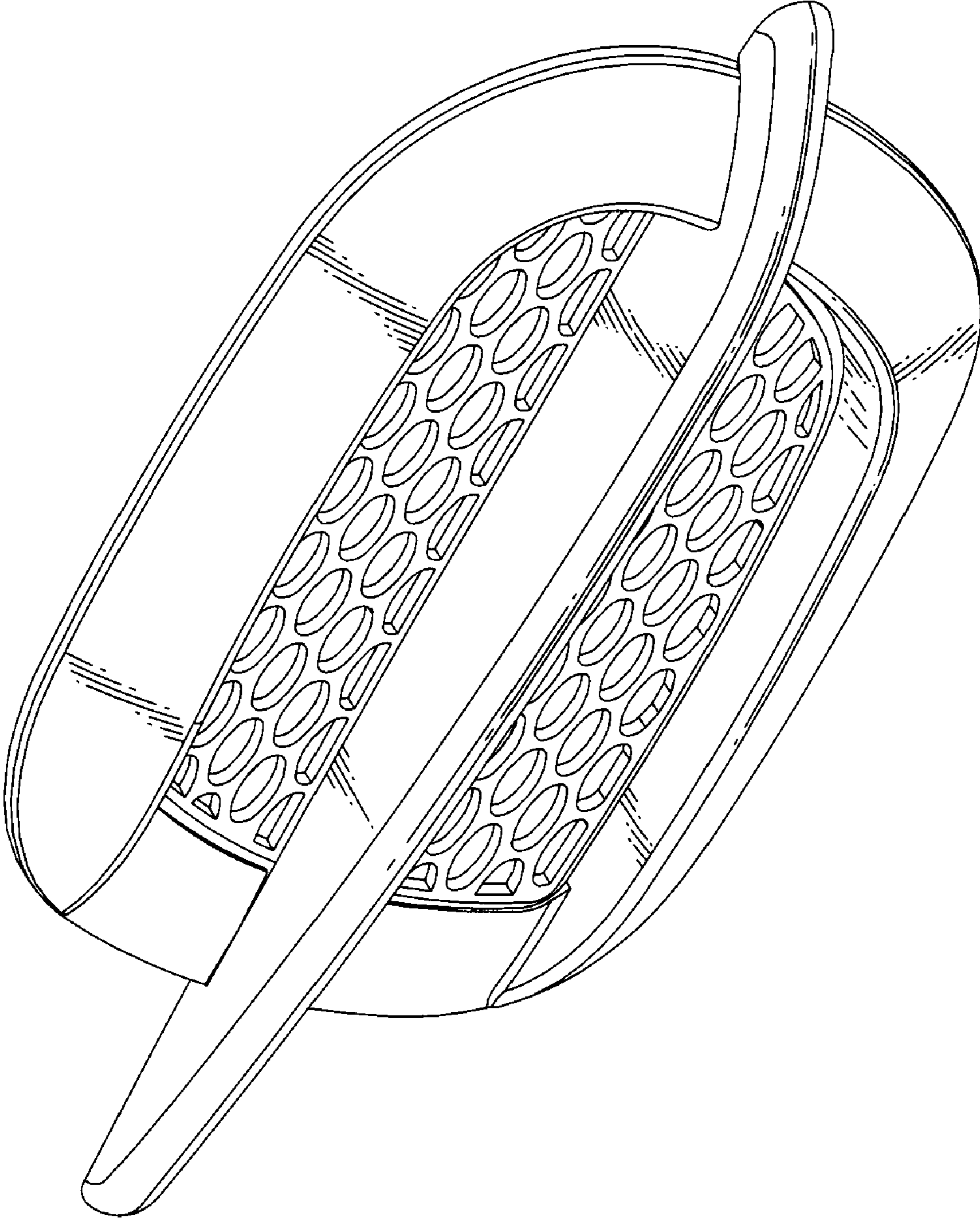


FIG. 1

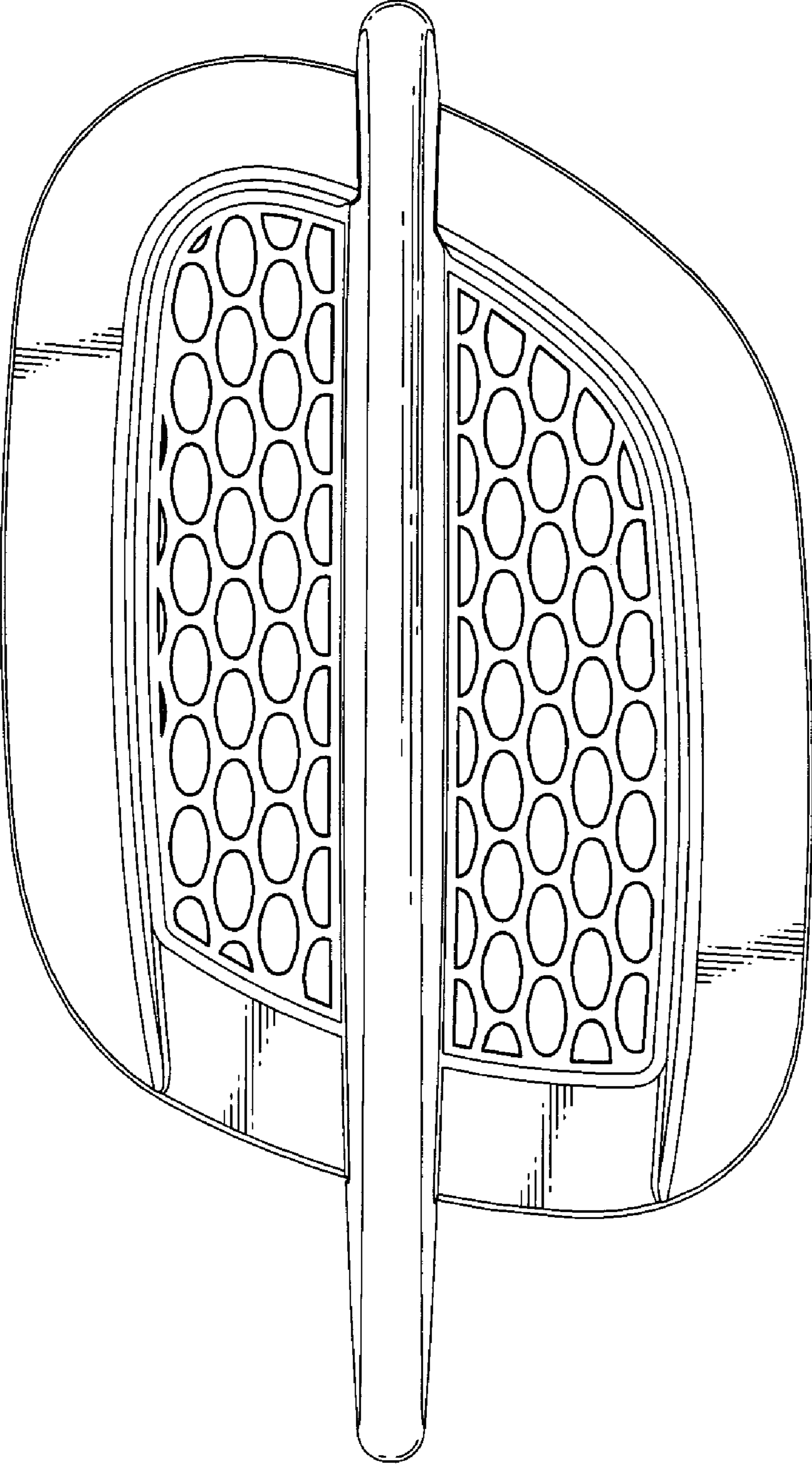


FIG. 2

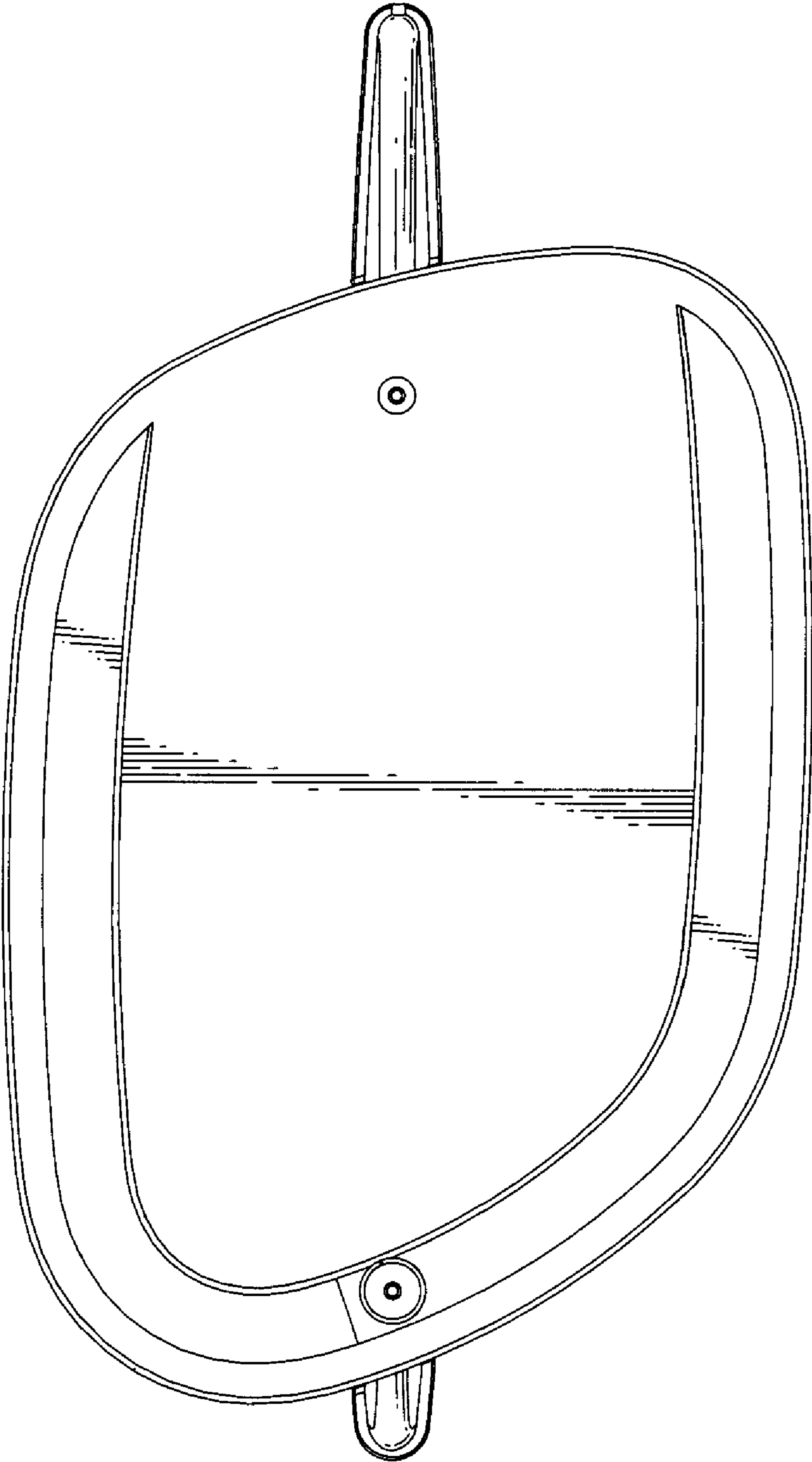


FIG. 3

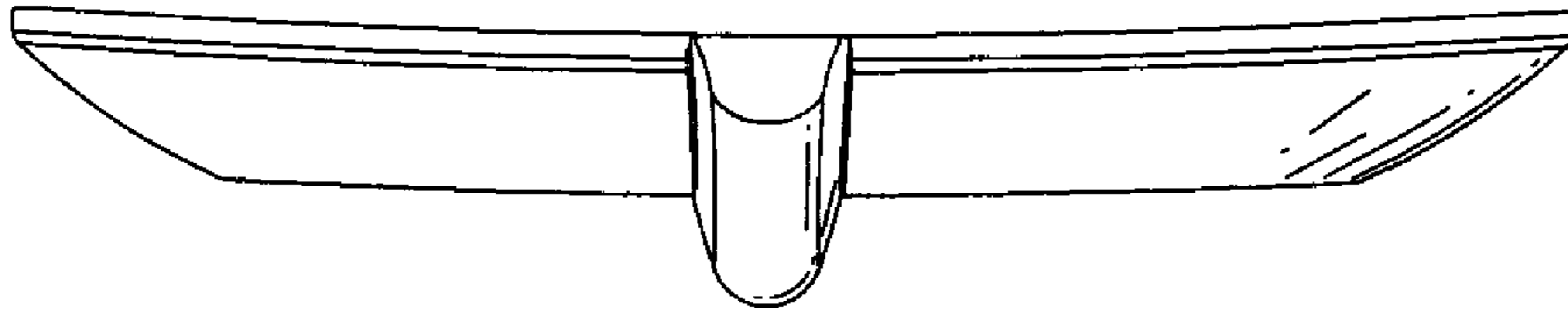


FIG. 5

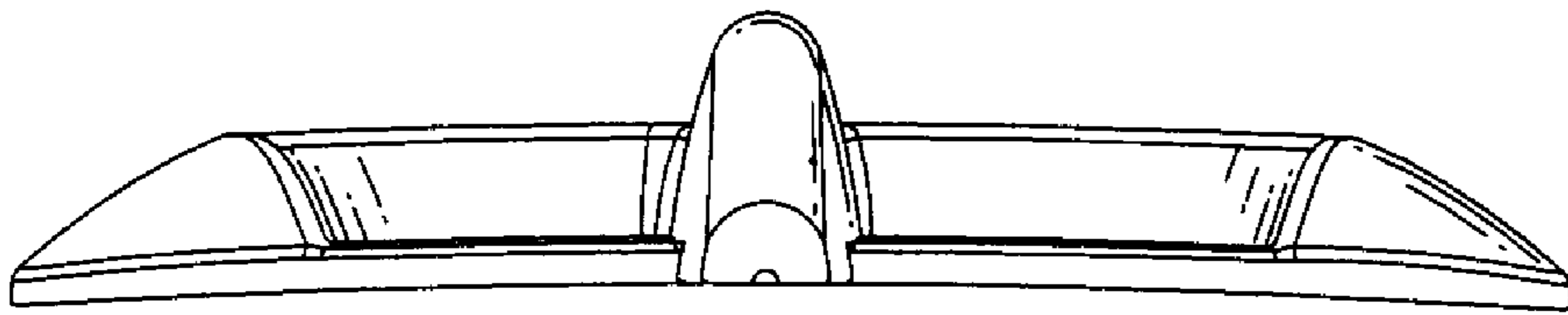


FIG. 4

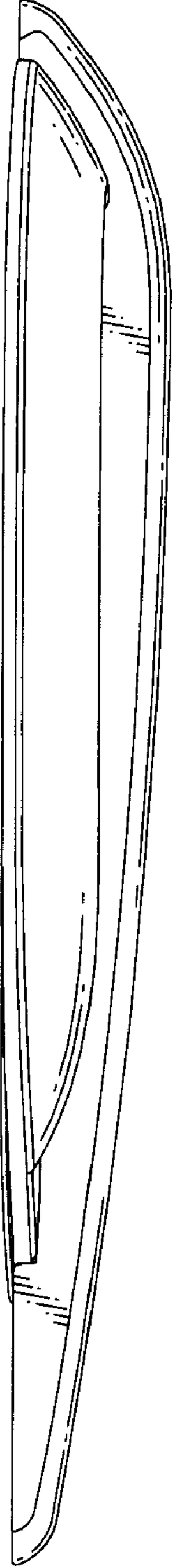


FIG. 6

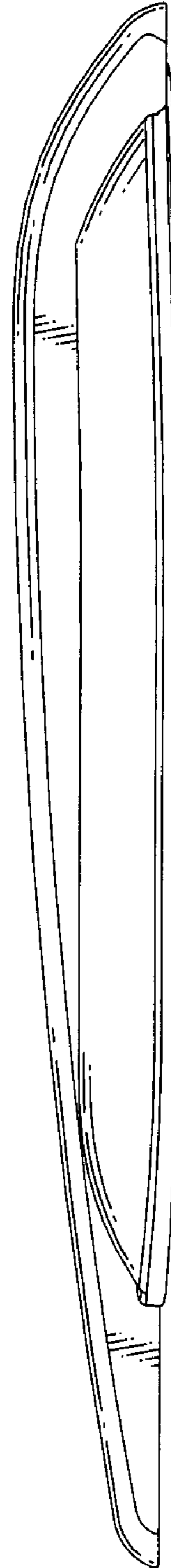


FIG. 7

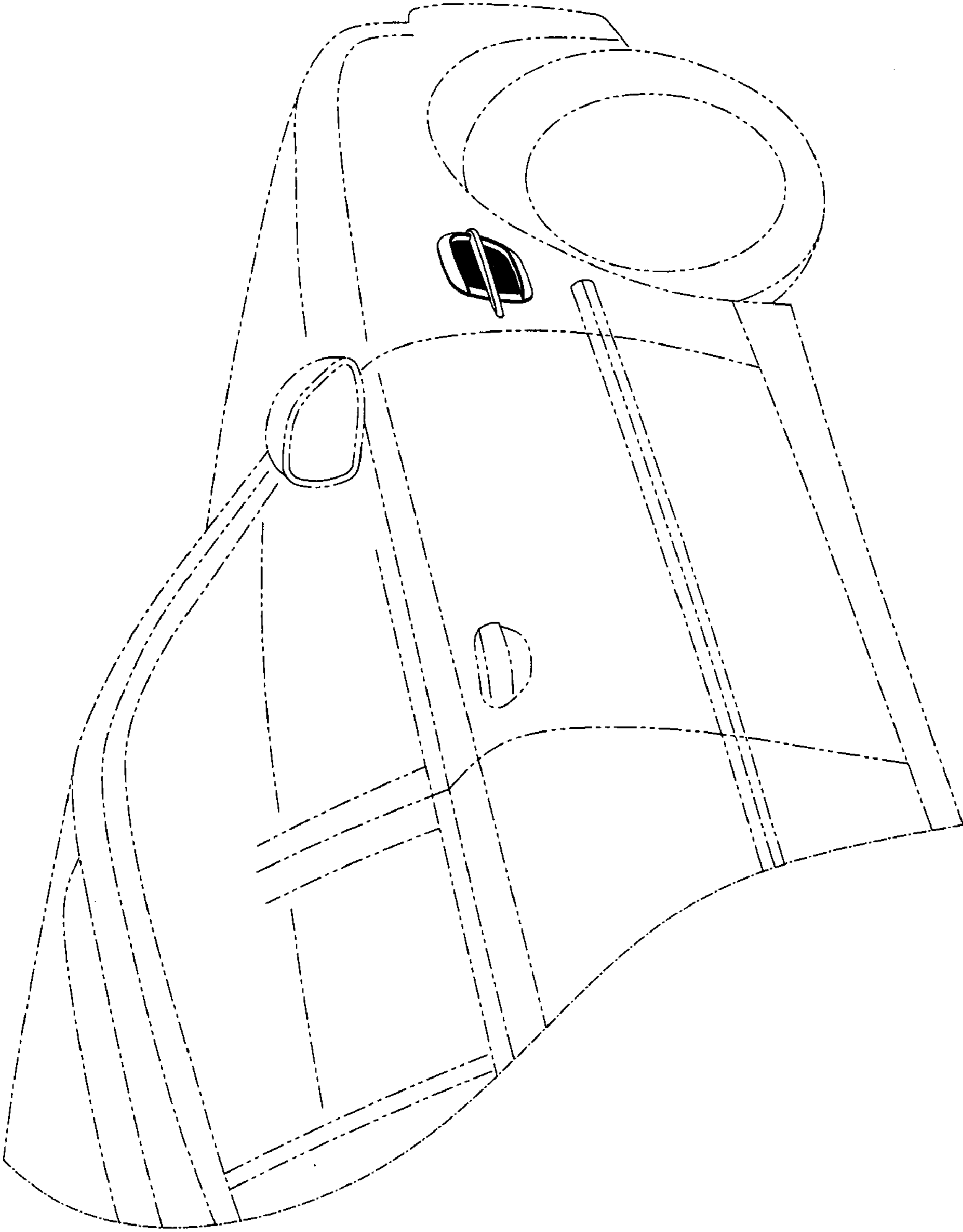


FIG. 8