



US00D545247S

(12) **United States Design Patent**  
**McWain**

(10) **Patent No.:** **US D545,247 S**

(45) **Date of Patent:** **\*\* Jun. 26, 2007**

(54) **RADIATOR TANK**

(75) Inventor: **Lyman J. McWain**, Madison, CT (US)

(73) Assignee: **Proliance International Inc.**, New Haven, CT (US)

(\*\*) Term: **14 Years**

(21) Appl. No.: **29/226,111**

(22) Filed: **Mar. 24, 2005**

(51) **LOC (8) Cl.** ..... **12-16**

(52) **U.S. Cl.** ..... **D12/166**

(58) **Field of Classification Search** ..... D12/166;  
165/67, 140, 149; 228/183; 180/68.4  
See application file for complete search history.

(56) **References Cited**

**U.S. PATENT DOCUMENTS**

D263,461 S *	3/1982	Young	.....	D12/166
6,318,454 B1 *	11/2001	Schule et al.	.....	165/140
7,036,562 B2 *	5/2006	Ayres et al.	.....	165/81
7,051,789 B2 *	5/2006	Sheppard	.....	165/67

**OTHER PUBLICATIONS**

Automotive Cooling Journal; Oct. 2002; vol. 45, No. 10; pp. 7, 14, 17, 20-22 and back cover; Various Advertisements for Radiators.  
Automotive Cooling Journal; Apr. 2004; vol. 47, No. 4; p. 23 and inside front cover; Various Radiator Advertisements.

Automotive Cooling Journal; Oct. 2004; vol. 47, No. 10; p. 19; Radiator Advertisement.

Automotive Cooling Journal; Jun. 2005; vol. 48, No. 6; page—back cover; Radiator Advertisement.

\* cited by examiner

*Primary Examiner*—Melody N. Brown

(74) *Attorney, Agent, or Firm*—DeLio & Peterson, LLC; Peter W. Peterson

(57) **CLAIM**

The ornamental design for a radiator tank, as shown and described.

**DESCRIPTION**

FIG. 1 is a top perspective view of a radiator tank showing my new design, the broken lines are shown for illustrative purposes only and form no part of the claimed design;

FIG. 2 is a bottom perspective view thereof;

FIG. 3 is a top plan view thereof;

FIG. 4 is a rear elevational view thereof;

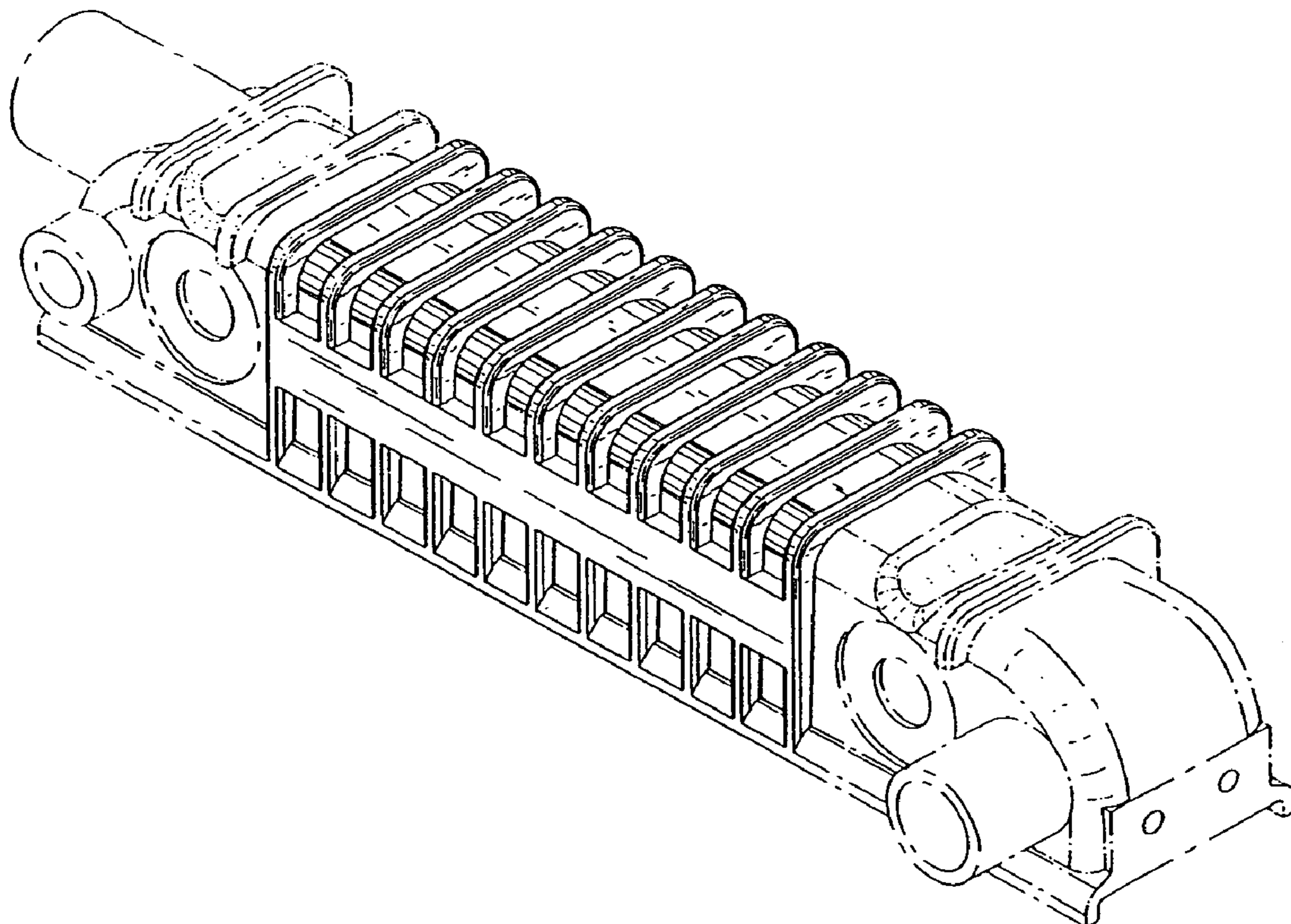
FIG. 5 is a front elevational view thereof;

FIG. 6 is a bottom plan view thereof;

FIG. 7 is a right side elevational view thereof; and,

FIG. 8 is a left side elevational view thereof.

**1 Claim, 5 Drawing Sheets**



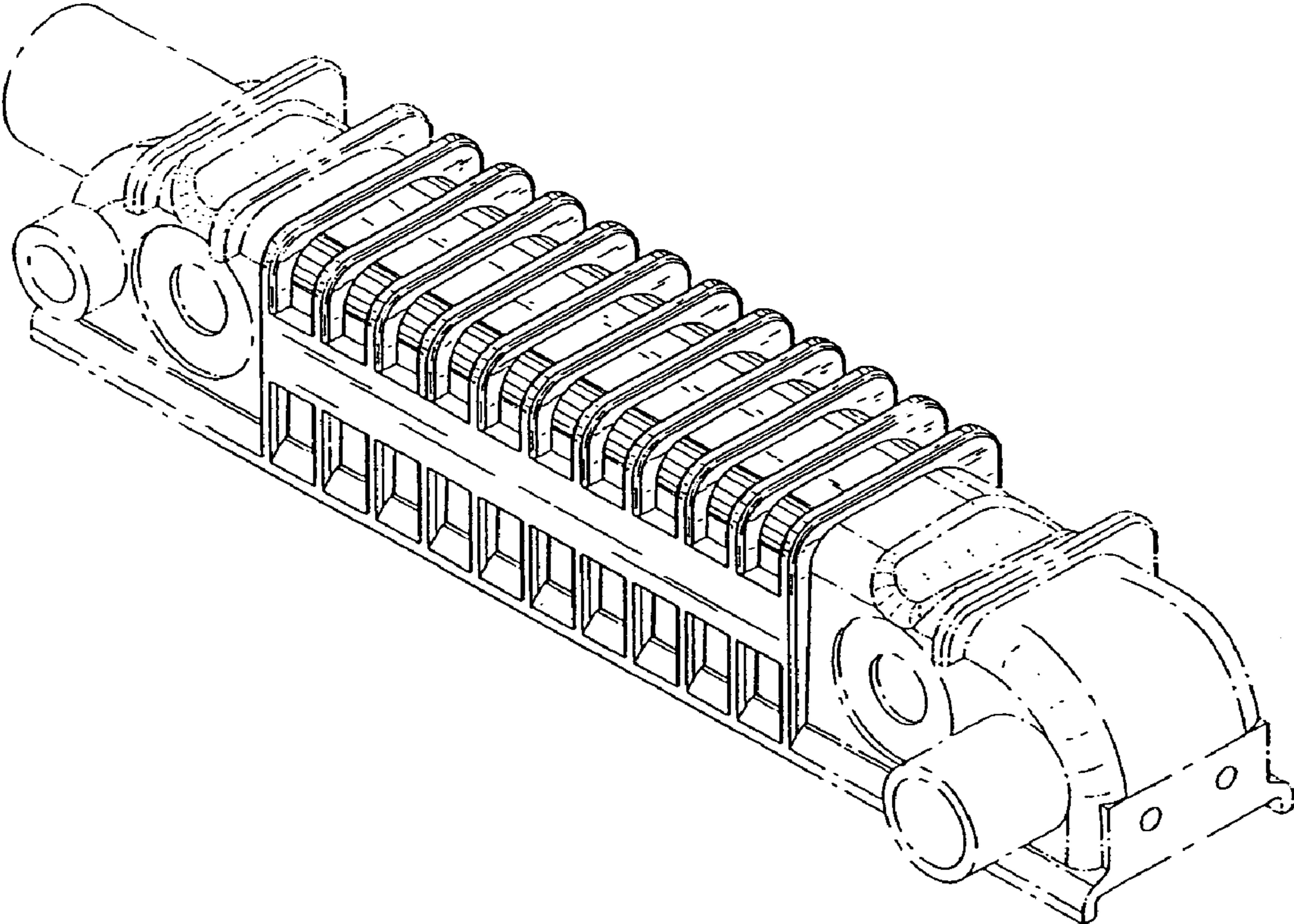


Fig. 1

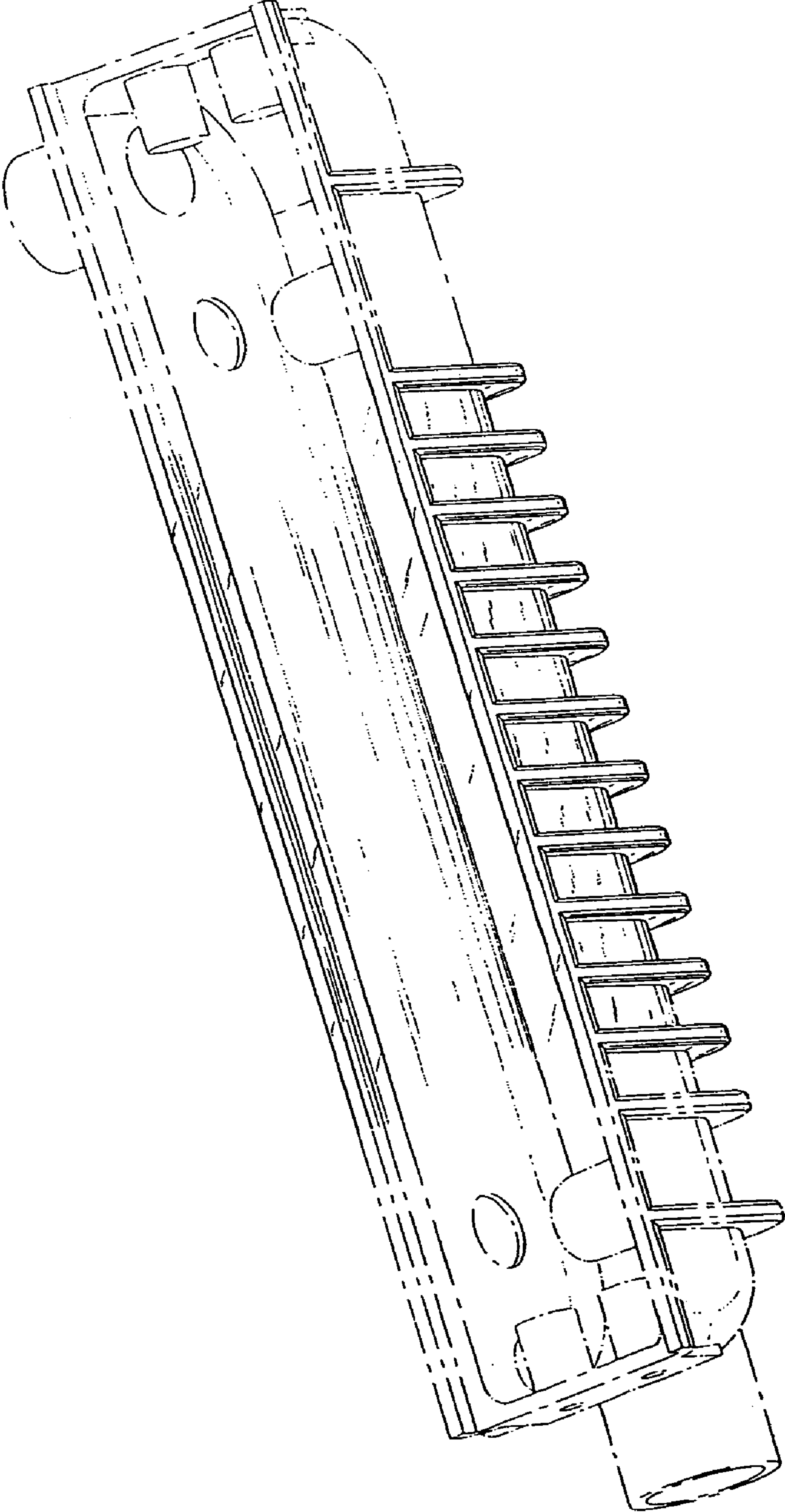


Fig. 2

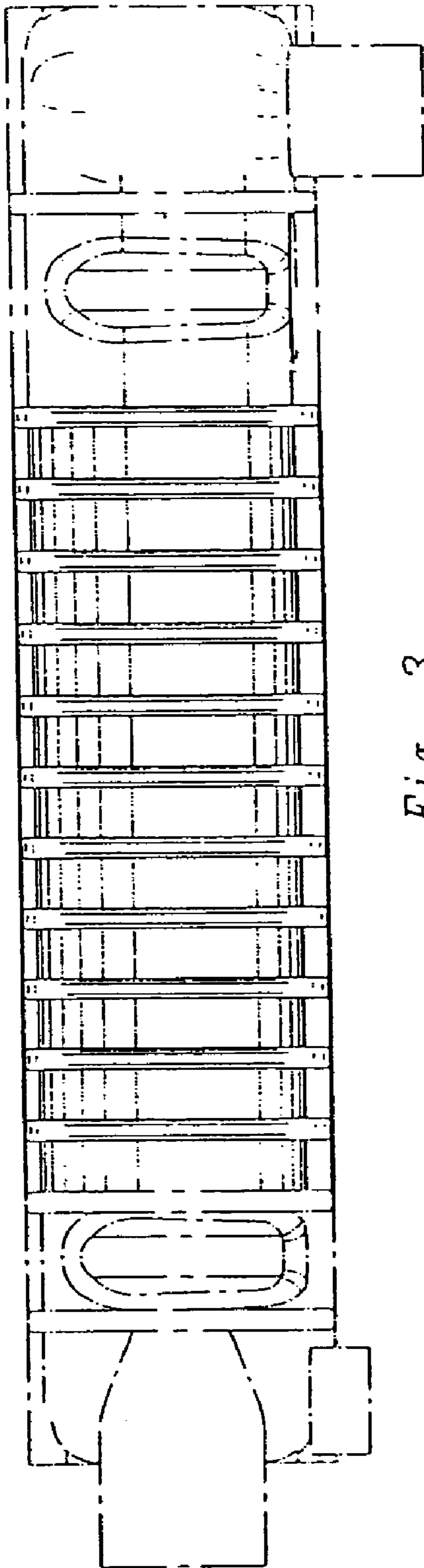


Fig. 3

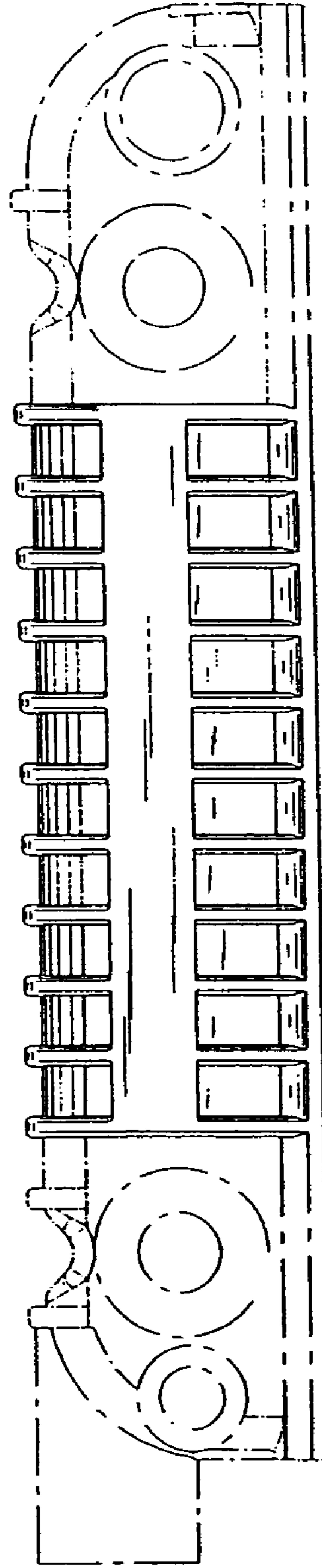


Fig. 4

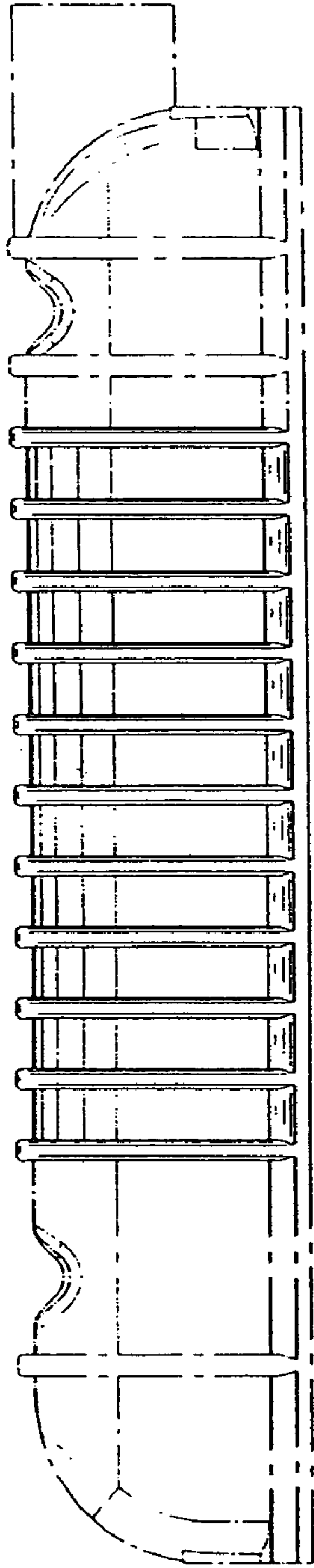


Fig. 5

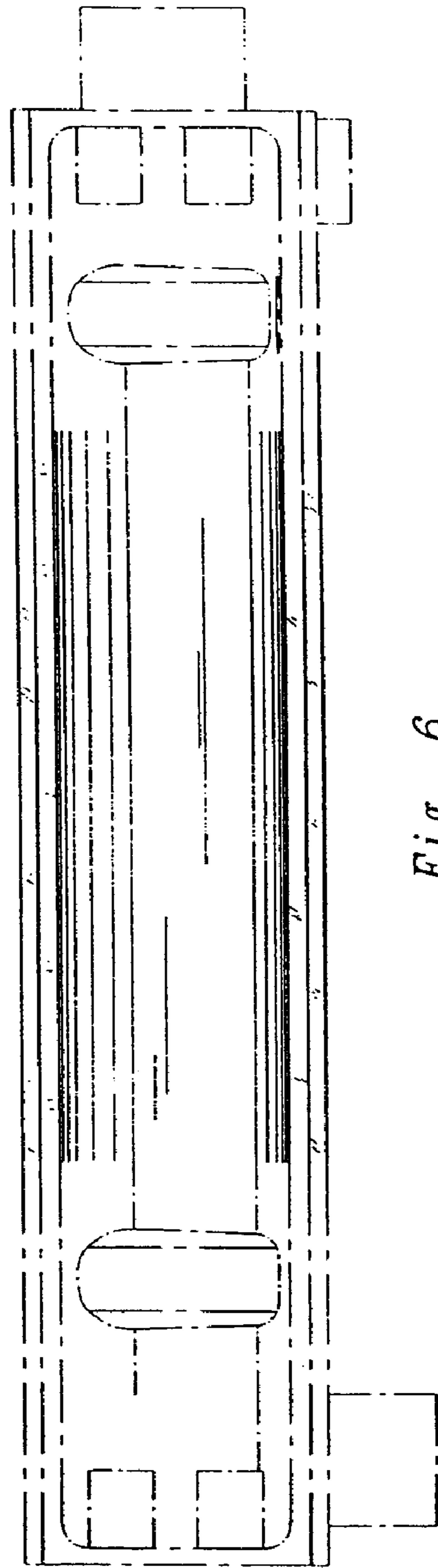


Fig. 6

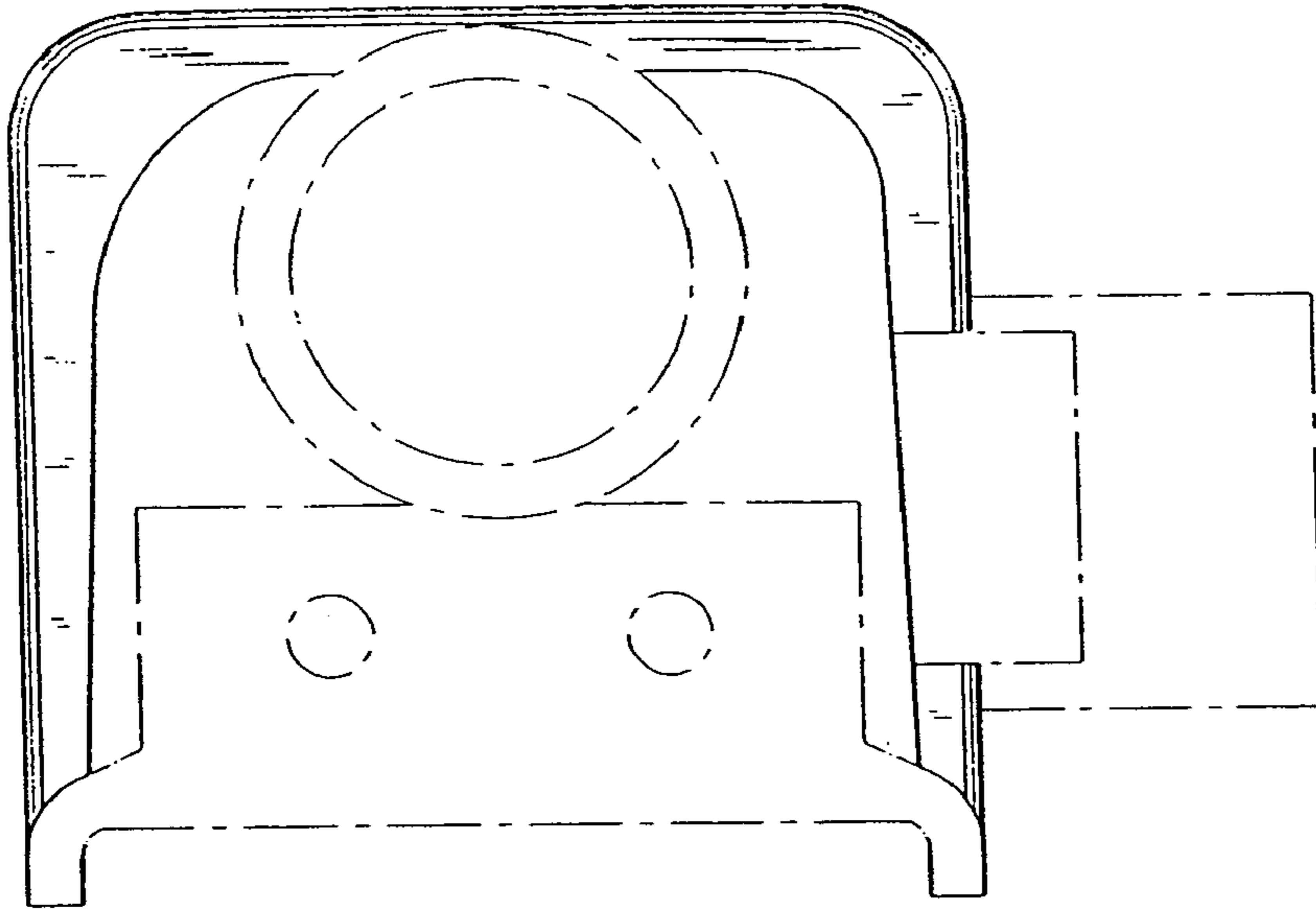


Fig. 7

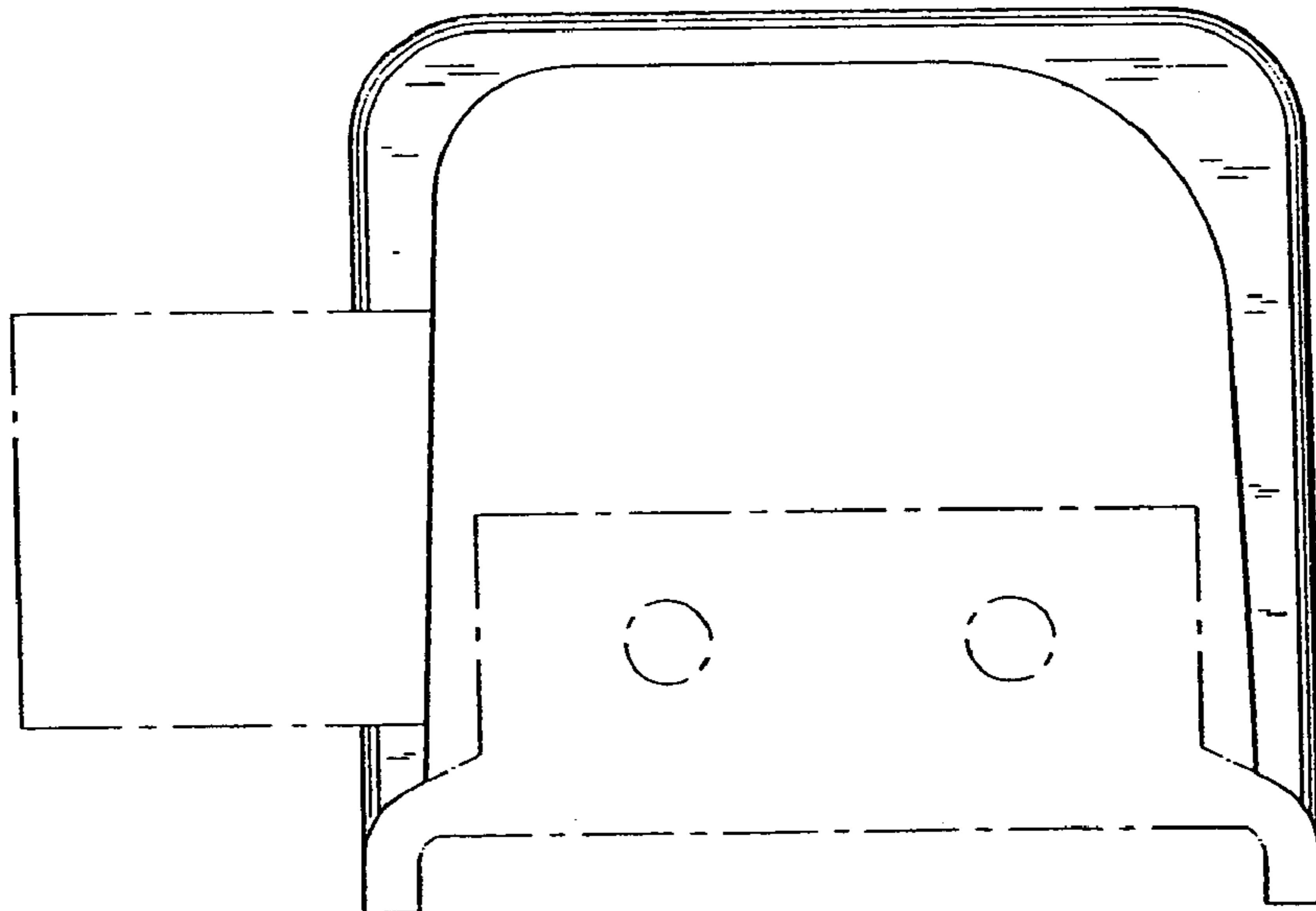


Fig. 8