



US00D545245S

(12) **United States Design Patent**
Masera

(10) **Patent No.:** **US D545,245 S**

(45) **Date of Patent:** **** Jun. 26, 2007**

(54) **VELOCIPEDE FOR DOWNHILL RIDING**

(75) Inventor: **Lorenzo Masera**, Turin (IT)

(73) Assignee: **Asteas S.R.L.** (IT)

(**) Term: **14 Years**

(21) Appl. No.: **29/212,578**

(22) Filed: **Sep. 7, 2004**

(30) **Foreign Application Priority Data**

Mar. 19, 2004 (EM) 000152632-001

(51) **LOC (8) Cl.** **12-11**

(52) **U.S. Cl.** **D12/111**

(58) **Field of Classification Search** D21/419,
D21/423, 424, 426, 533, 538, 421, 435, 760,
D21/765, 771; 180/180, 181, 216, 219; 280/87.01,
280/87.04, 87.045, 87.041, 87.042, 87.043,
280/220, 281.1, 264; D12/107, 111, 1, 7
See application file for complete search history.

(56) **References Cited**

U.S. PATENT DOCUMENTS

3,887,210 A * 6/1975 Funke 280/87.01
D382,310 S * 8/1997 Lehle D21/423
D457,197 S * 5/2002 Becker D21/423

* cited by examiner

Primary Examiner—Alan P. Douglas

Assistant Examiner—Linda Brooks

(74) *Attorney, Agent, or Firm*—Bacon & Thomas PLLC

(57) **CLAIM**

The ornamental design for the velocipede for downhill riding, as shown and described.

DESCRIPTION

FIG. 1 is a top plan view of the velocipede for downhill riding embodying our new design;

FIG. 2 is a bottom view of the velocipede for downhill riding illustrated in FIG. 1;

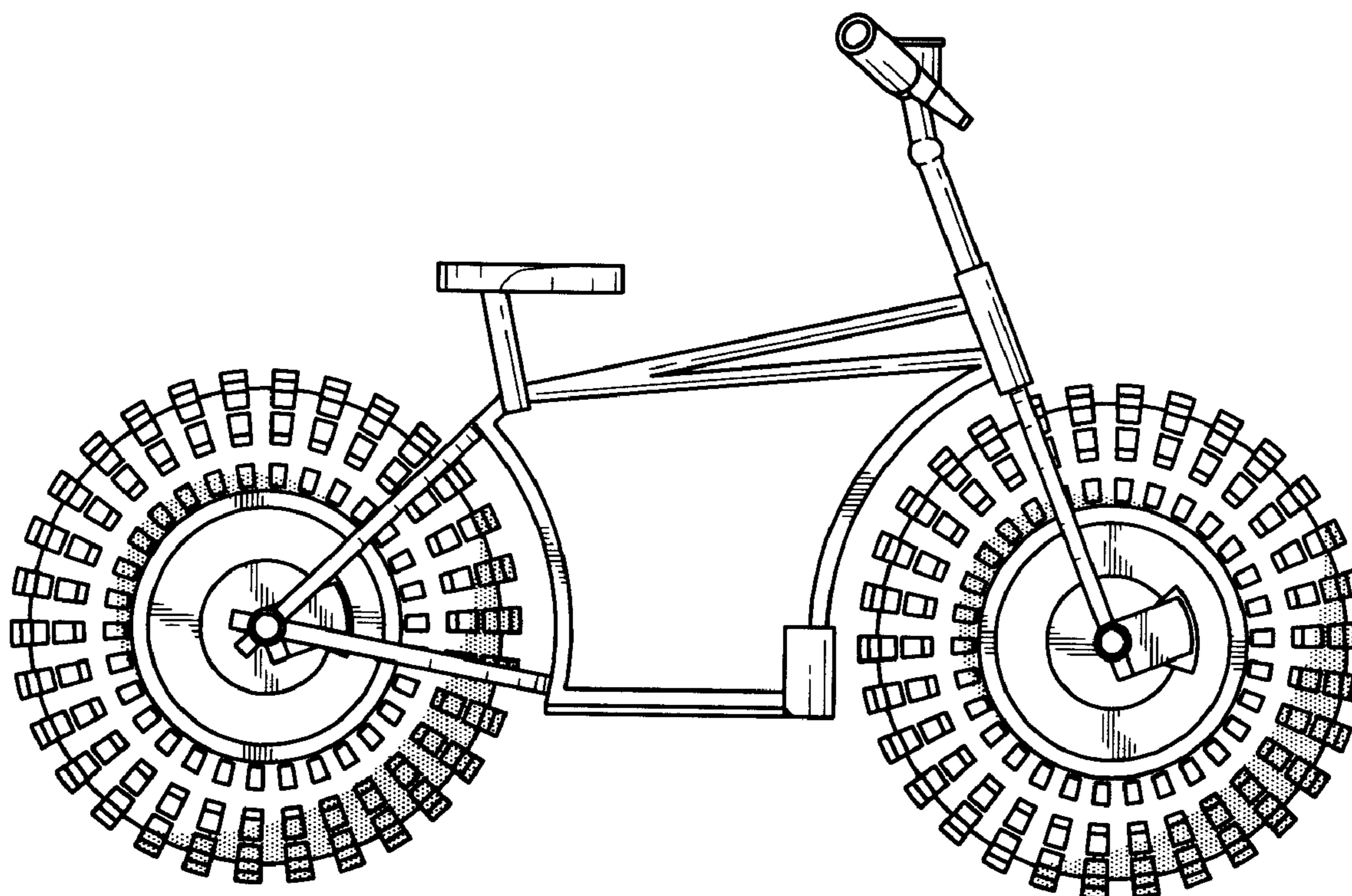
FIG. 3 is an elevation view of the velocipede for downhill riding illustrated in FIG. 1, as seen from the right;

FIG. 4 is an elevation view of the velocipede for downhill riding illustrated in FIG. 1, as seen from the left;

FIG. 5 is a front view of the velocipede for downhill riding illustrated in FIG. 1; and,

FIG. 6 is a rear view of the velocipede for downhill riding illustrated in FIG. 1.

1 Claim, 5 Drawing Sheets



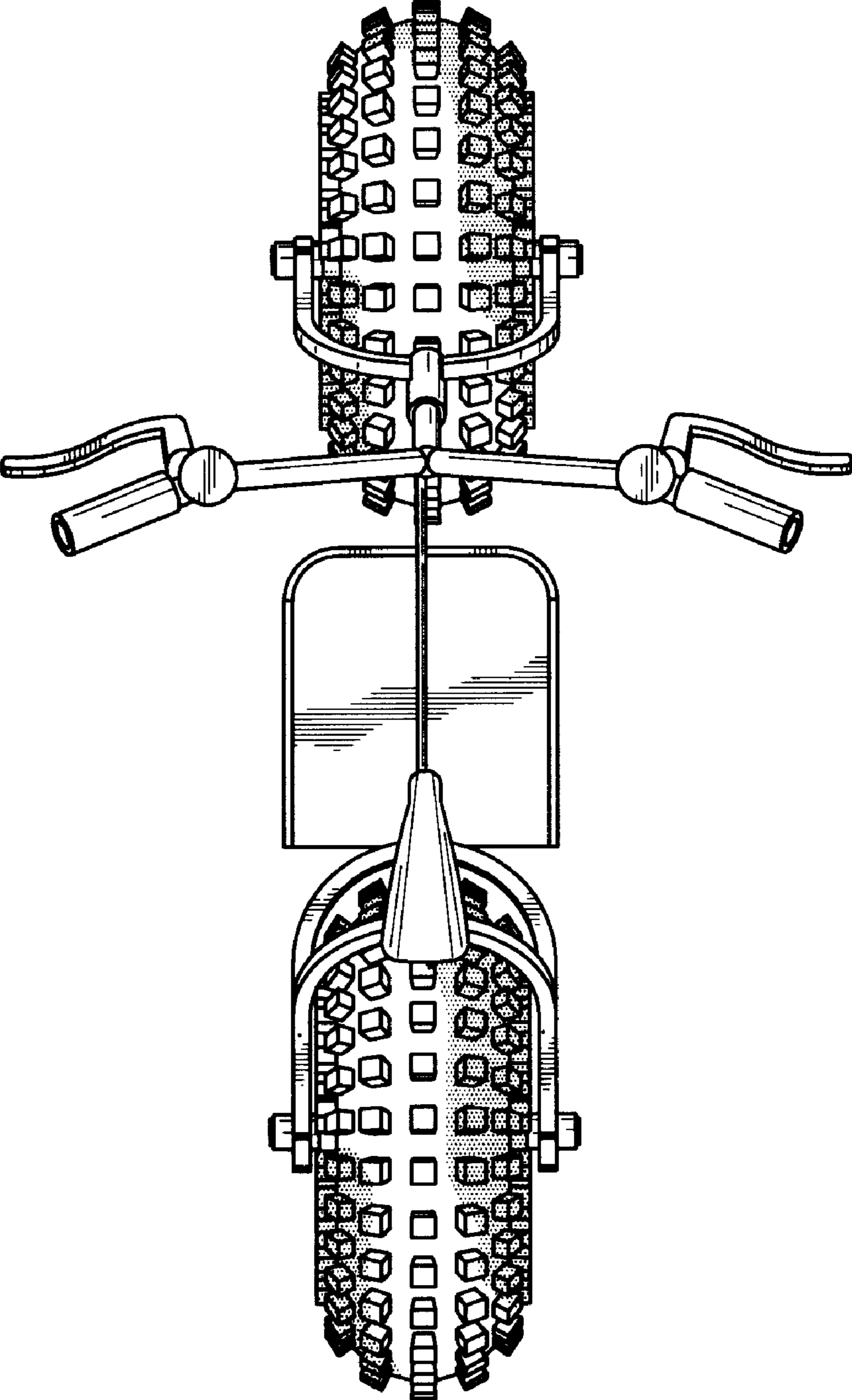


FIG. 1

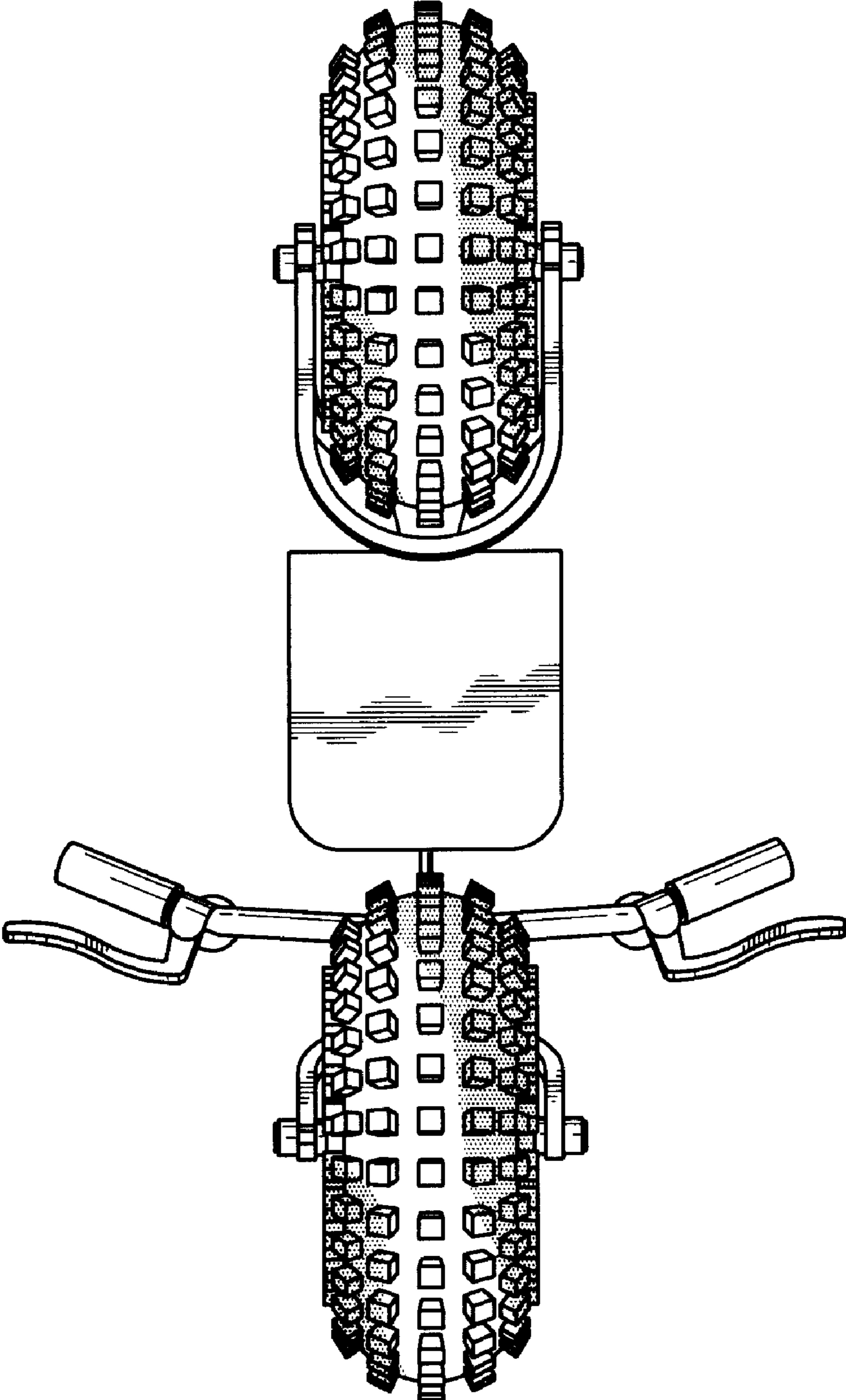


FIG. 2

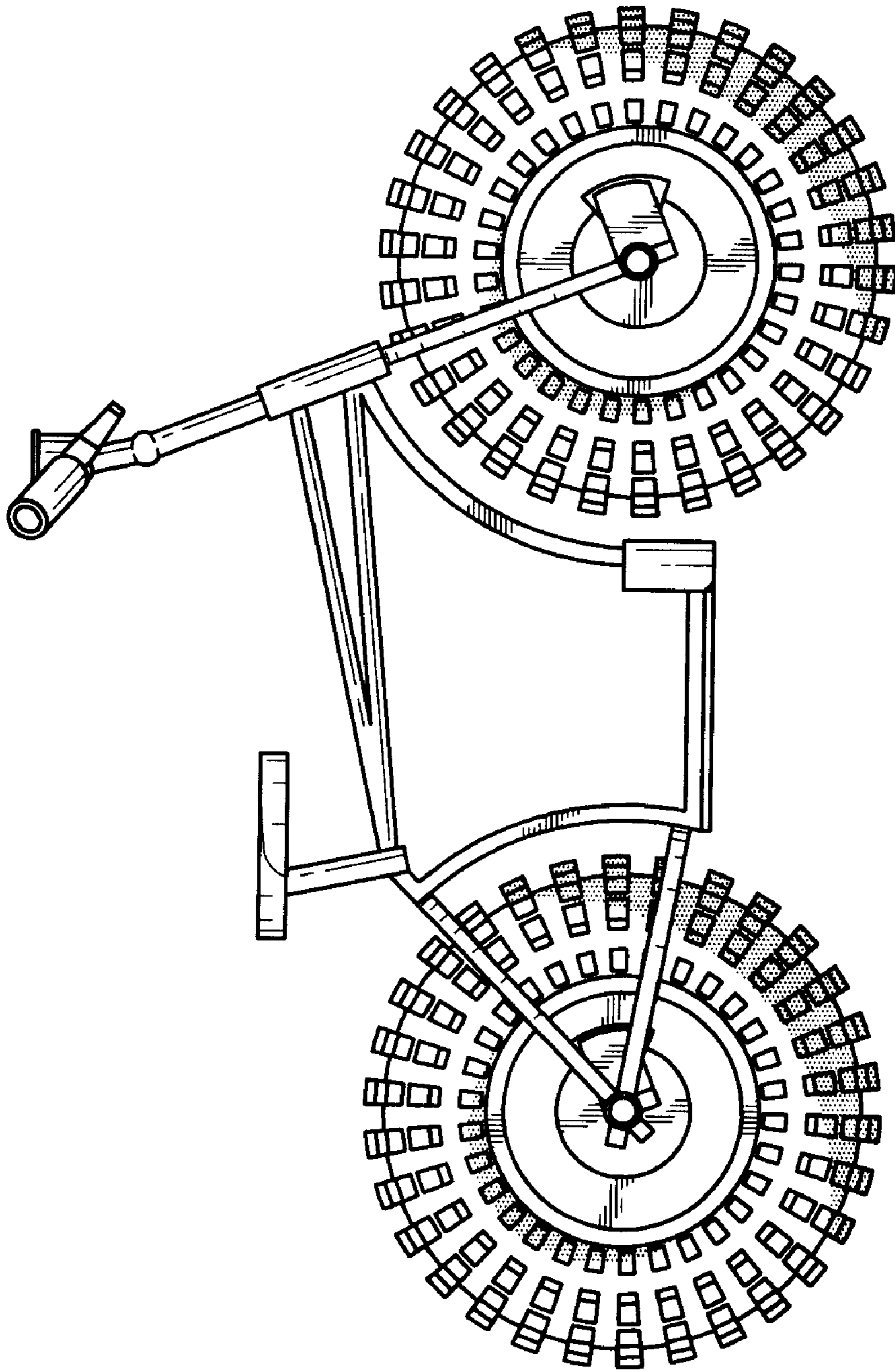


FIG. 3

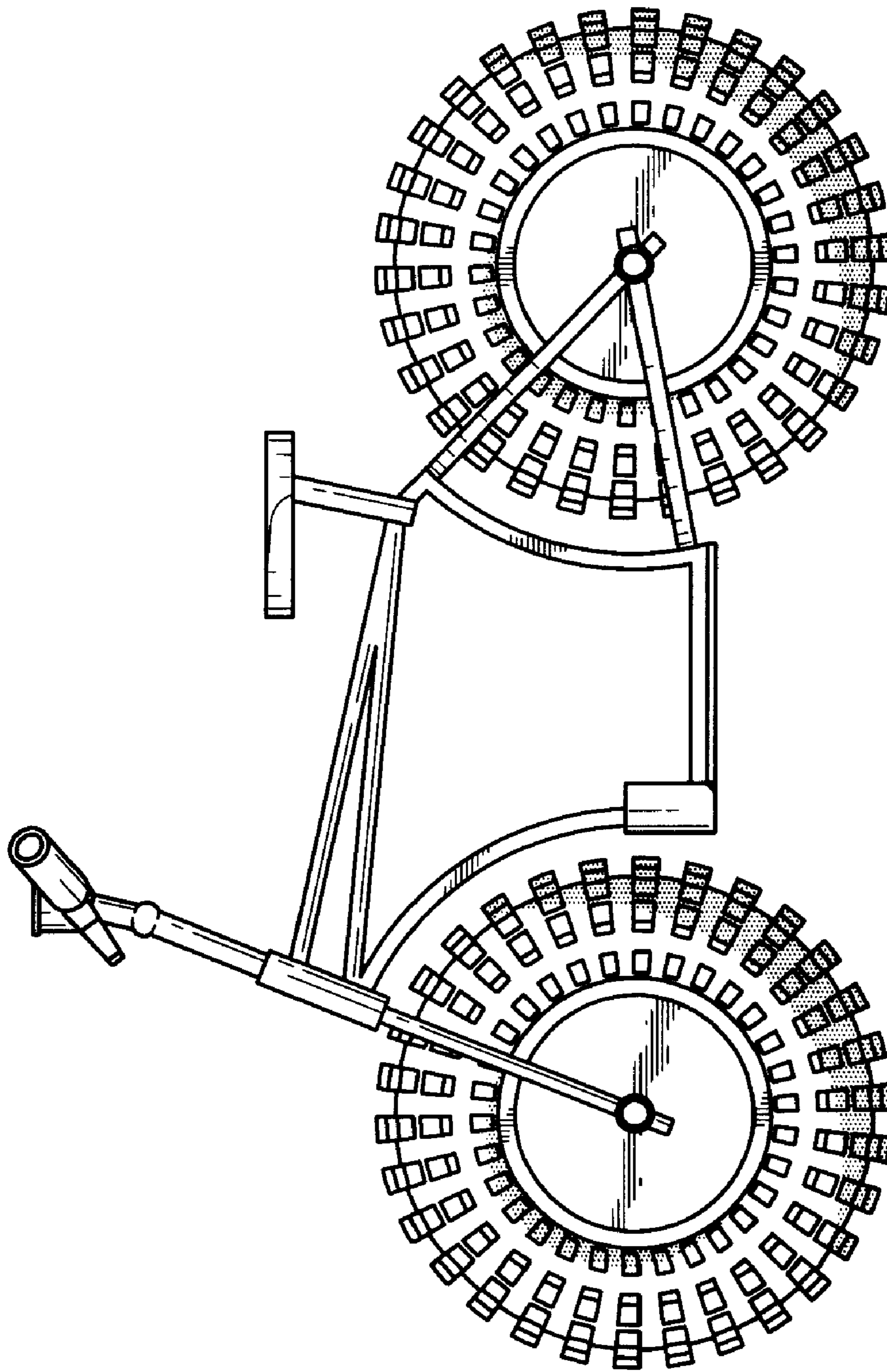


FIG. 4

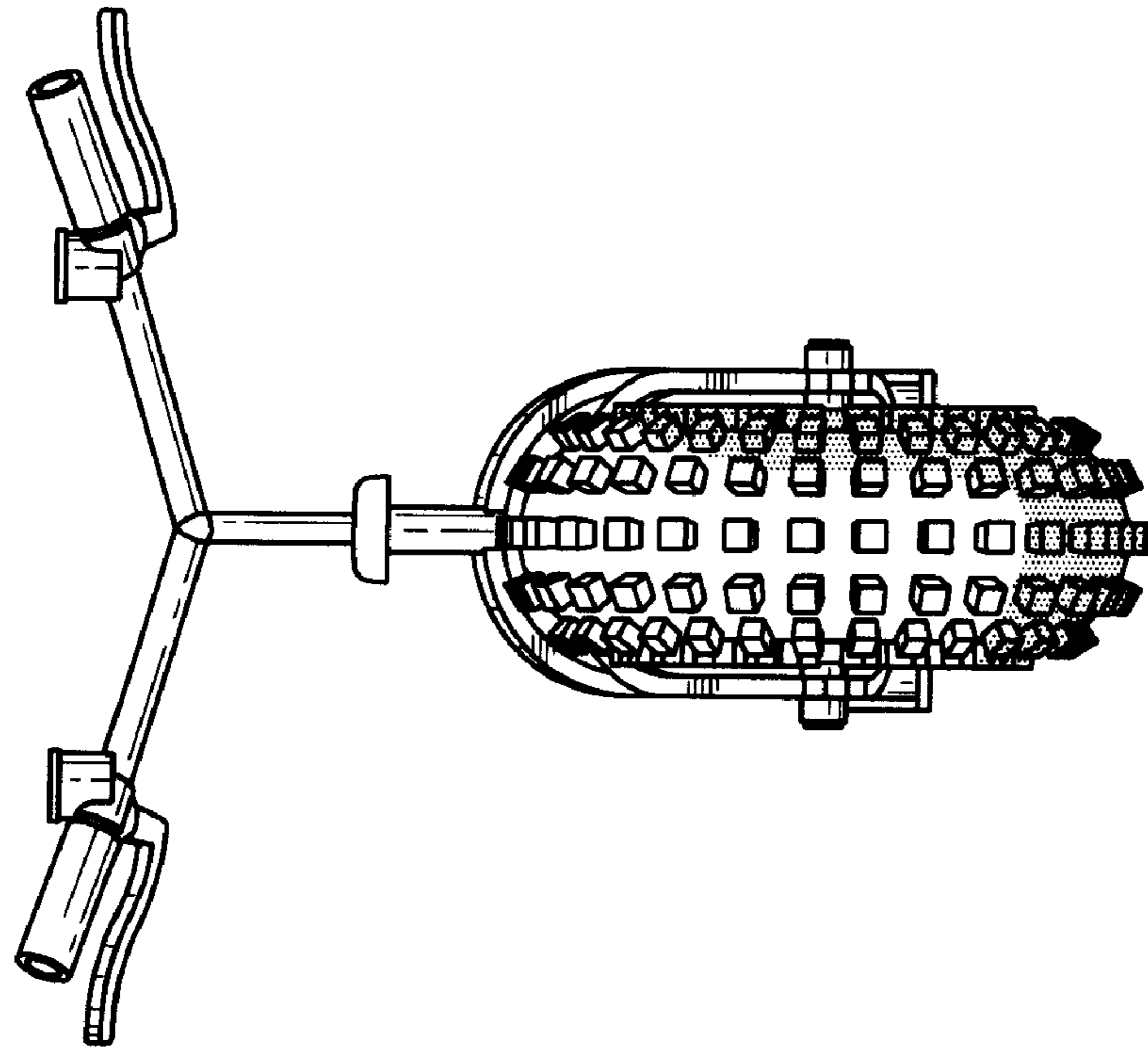


FIG. 6

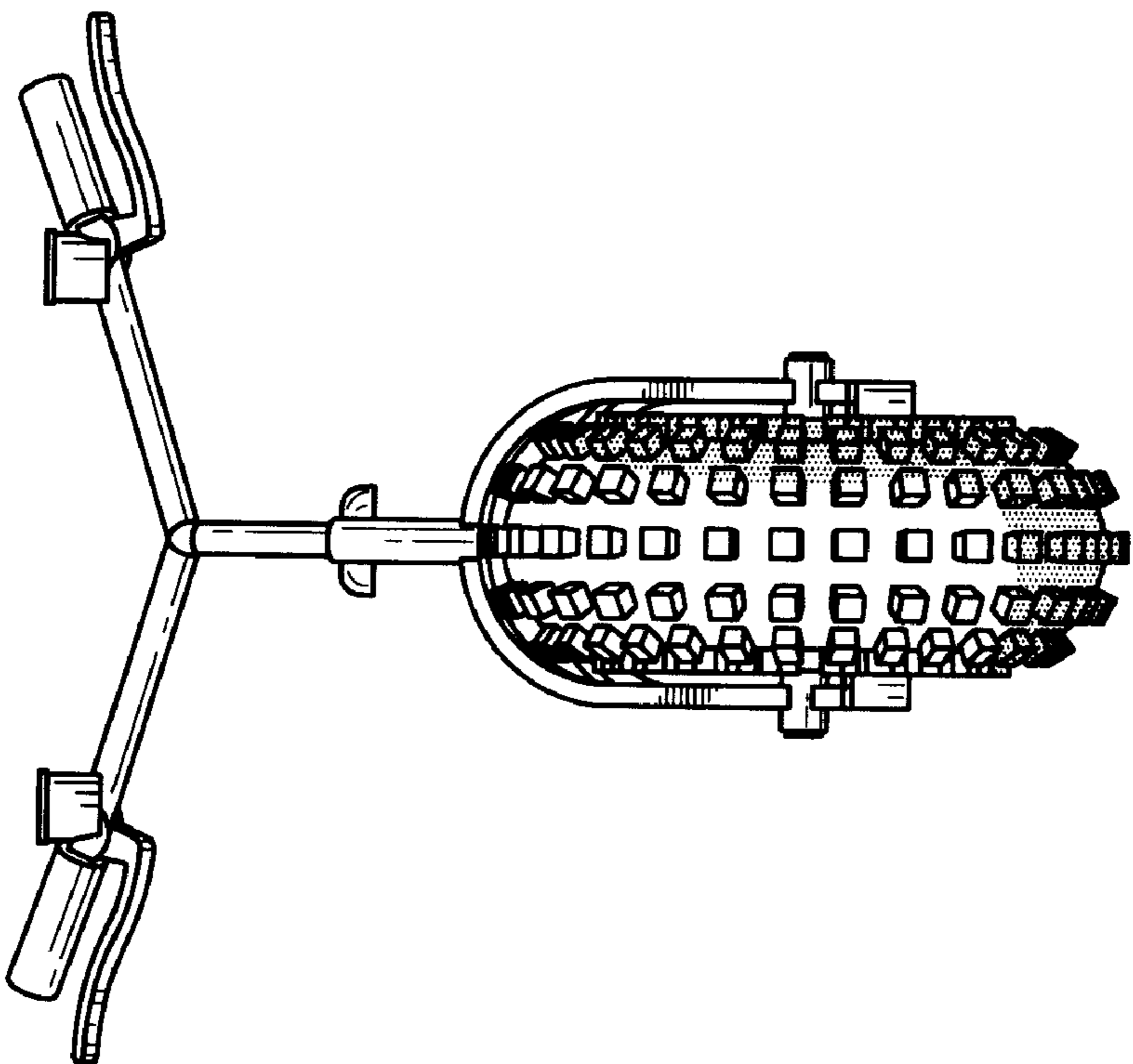


FIG. 5