

US00D545244S

(12) **United States Design Patent**
James

(10) **Patent No.:** **US D545,244 S**
(45) **Date of Patent:** **** Jun. 26, 2007**

(54) **BICYCLE TRAILER**

D512,942 S * 12/2005 Wittkowski D12/101
D522,409 S * 6/2006 Wittkowski D12/101

(76) Inventor: **Daryl I. James**, 69 Pond La.,
Willingboro, NJ (US) 08046

* cited by examiner

(**) Term: **14 Years**

Primary Examiner—Stacia Cadmus
(74) *Attorney, Agent, or Firm*—Stuart M. Goldstein

(21) Appl. No.: **29/271,055**

(57) **CLAIM**

(22) Filed: **Jan. 9, 2007**

The ornamental design for a bicycle trailer, as shown and described.

(51) **LOC (8) Cl.** **12-10**

(52) **U.S. Cl.** **D12/101**

(58) **Field of Classification Search** D12/101–106,
D12/111–112; 280/475, 204, 63, 418.6,
280/656–658, 763.1, 47.25; 296/173, 190,
296/181.2–181.3, 183.1, 100.01–100.08;
D21/424, 435; D34/24

DESCRIPTION

See application file for complete search history.

FIG. 1 is a front isometric view of the bicycle trailer of the present invention.

FIG. 2 is the side view of the bicycle trailer of the present invention, the opposite side view being identical.

FIG. 3 is the front view of the bicycle trailer of the present invention.

(56) **References Cited**

U.S. PATENT DOCUMENTS

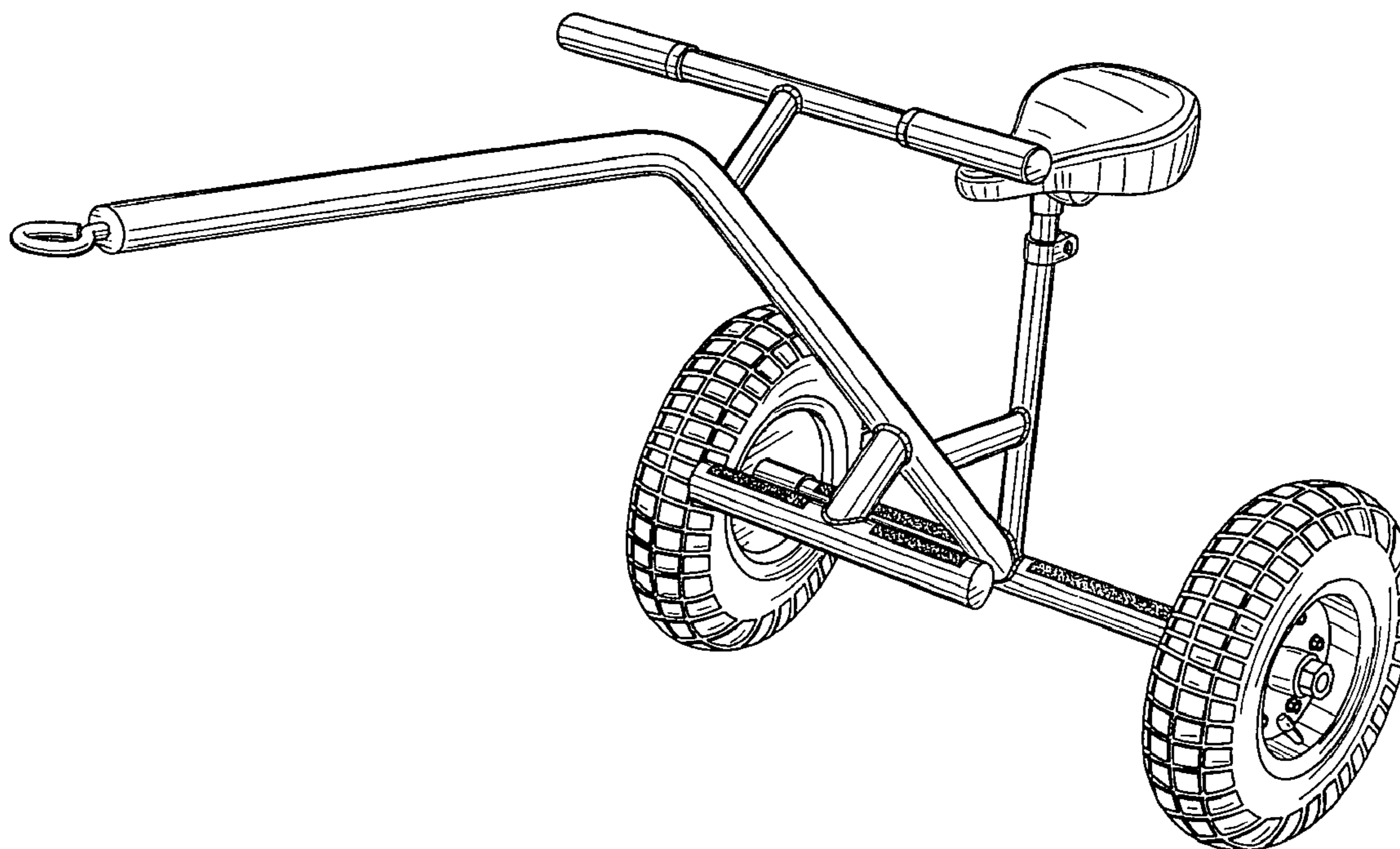
FIG. 4 is the rear view of the bicycle trailer of the present invention.

FIG. 5 is the top view of the bicycle trailer of the present invention; and,

FIG. 6 is the bottom view of the bicycle trailer of the present invention.

- D152,273 S * 1/1949 Leonard D12/101
- D184,704 S * 3/1959 Bernard D12/101
- D195,418 S * 6/1963 Busenlehner D21/424
- D229,985 S * 1/1974 Trevens D12/101
- D248,226 S * 6/1978 Sailer, Sr. D12/129
- D377,254 S * 1/1997 Cavalliere D34/24
- D414,720 S * 10/1999 Everett D12/101
- D483,420 S * 12/2003 DeLong et al. D21/435

1 Claim, 4 Drawing Sheets



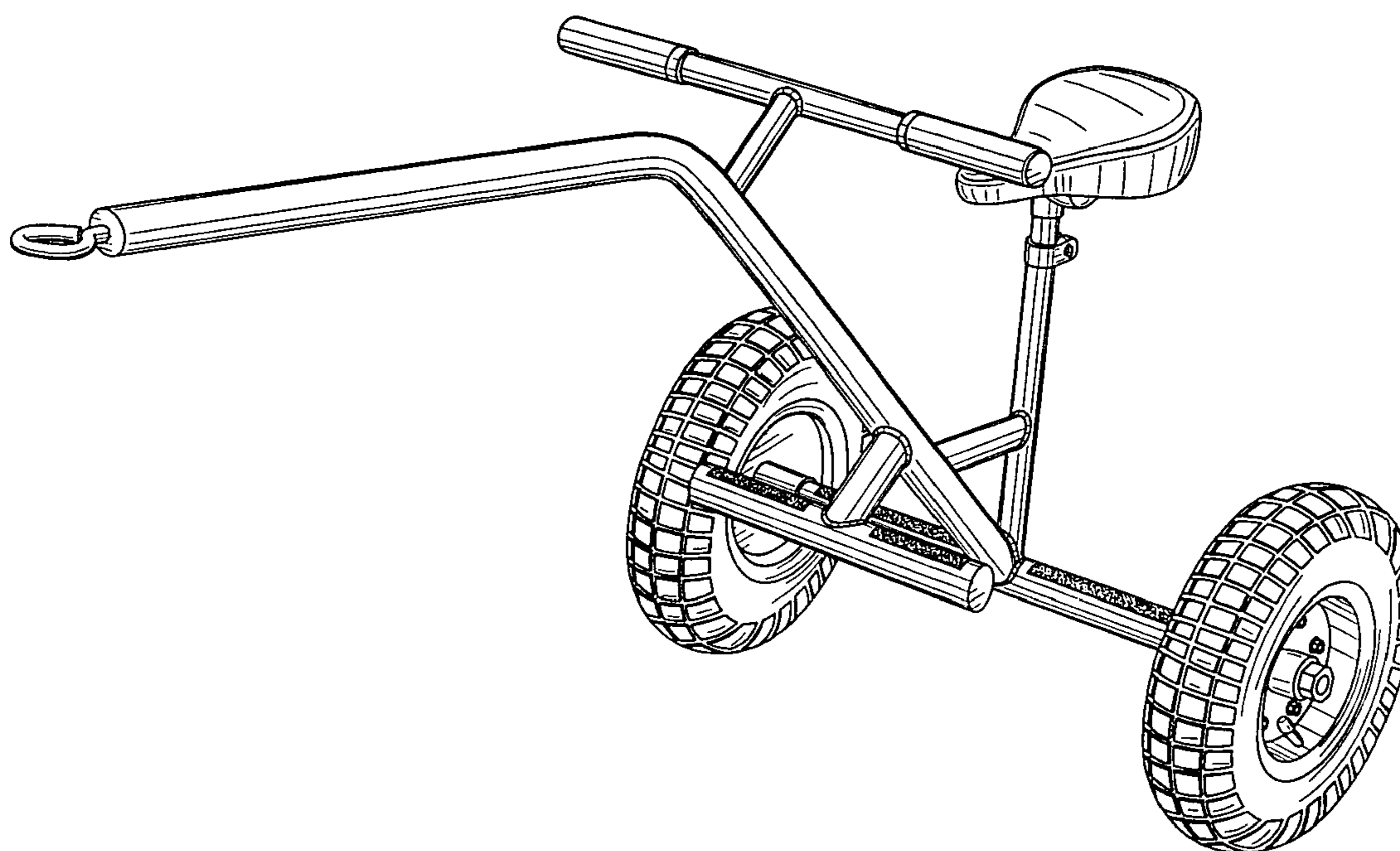


FIG. 1

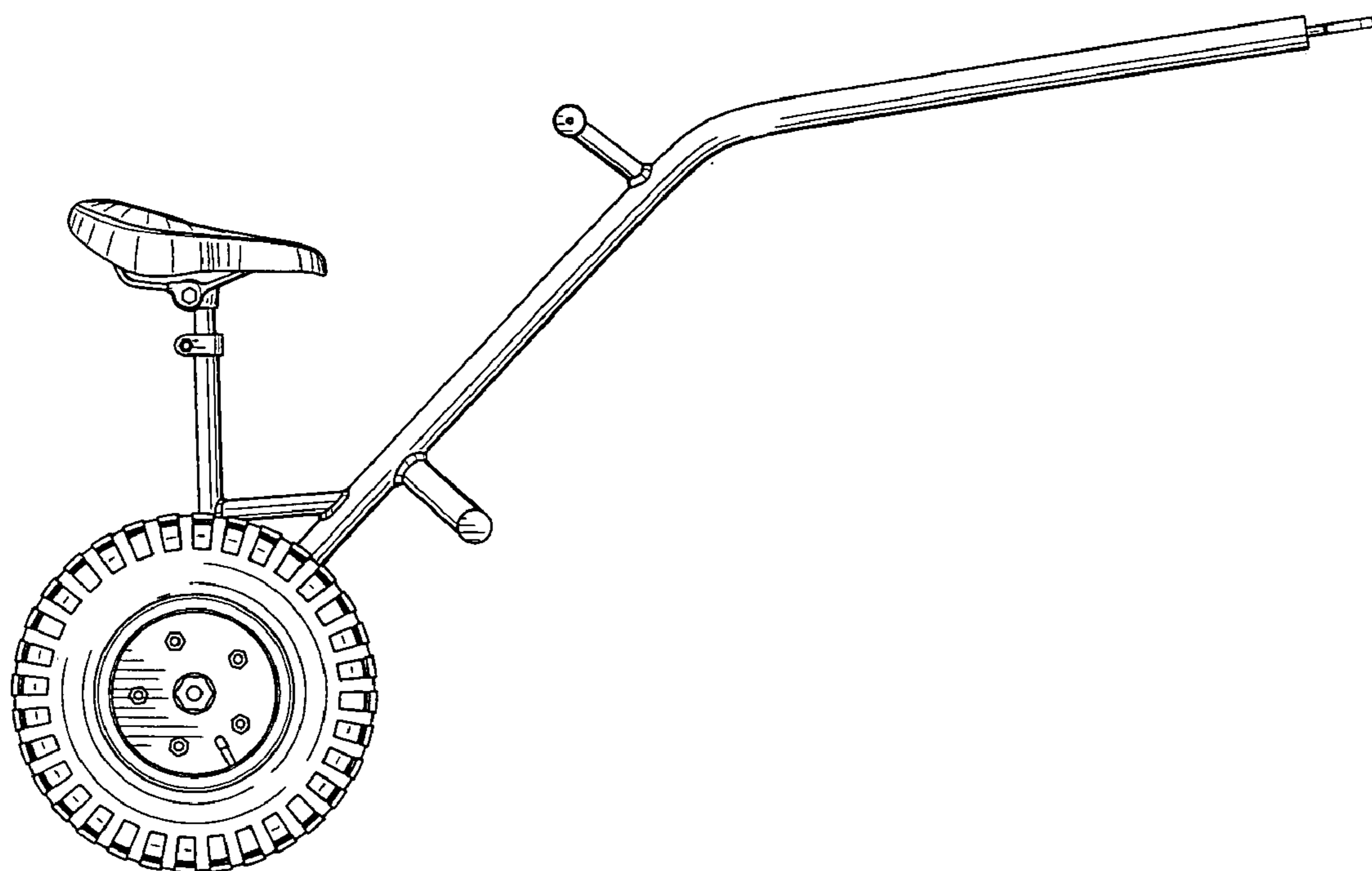


FIG. 2

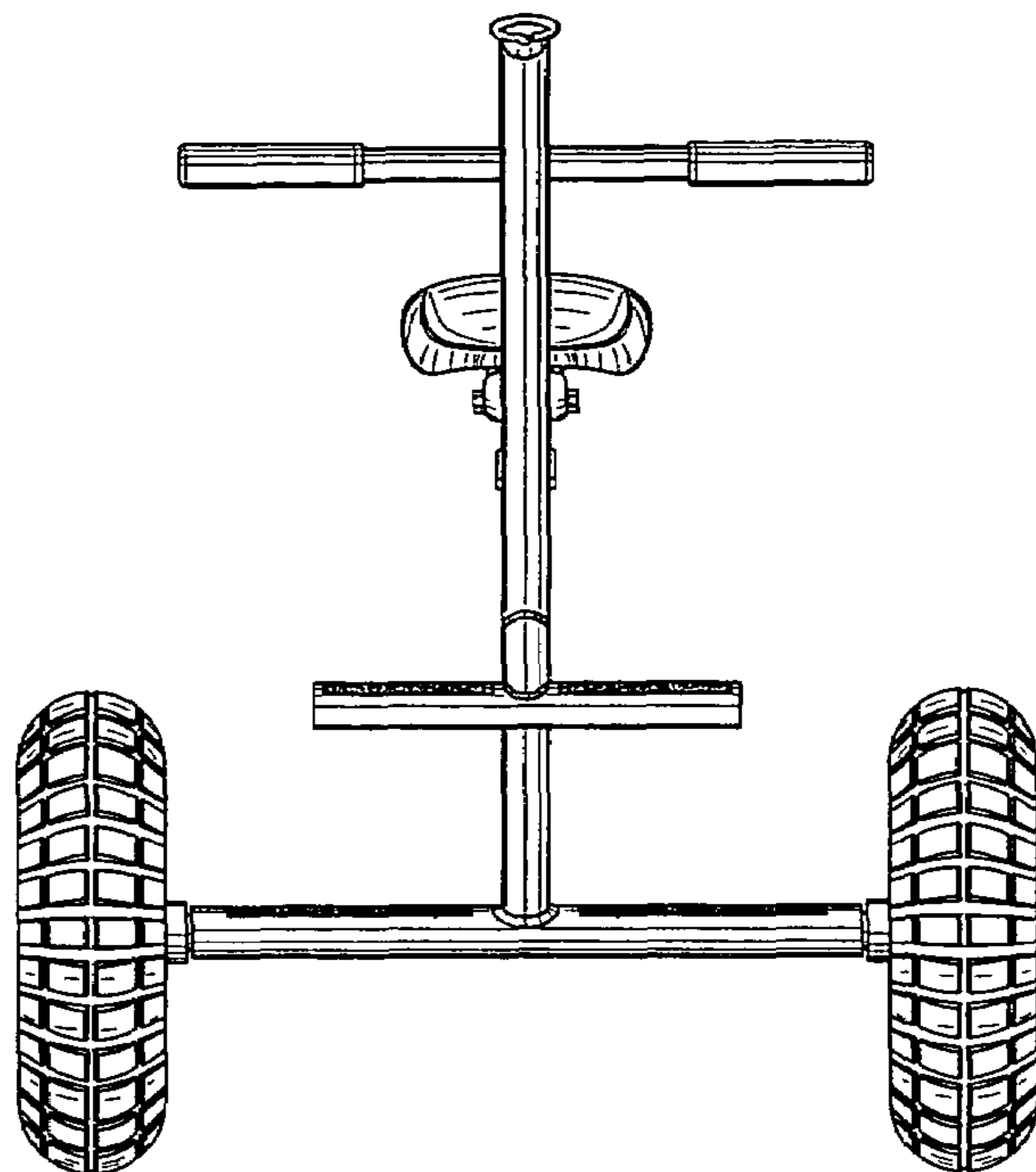


FIG. 3

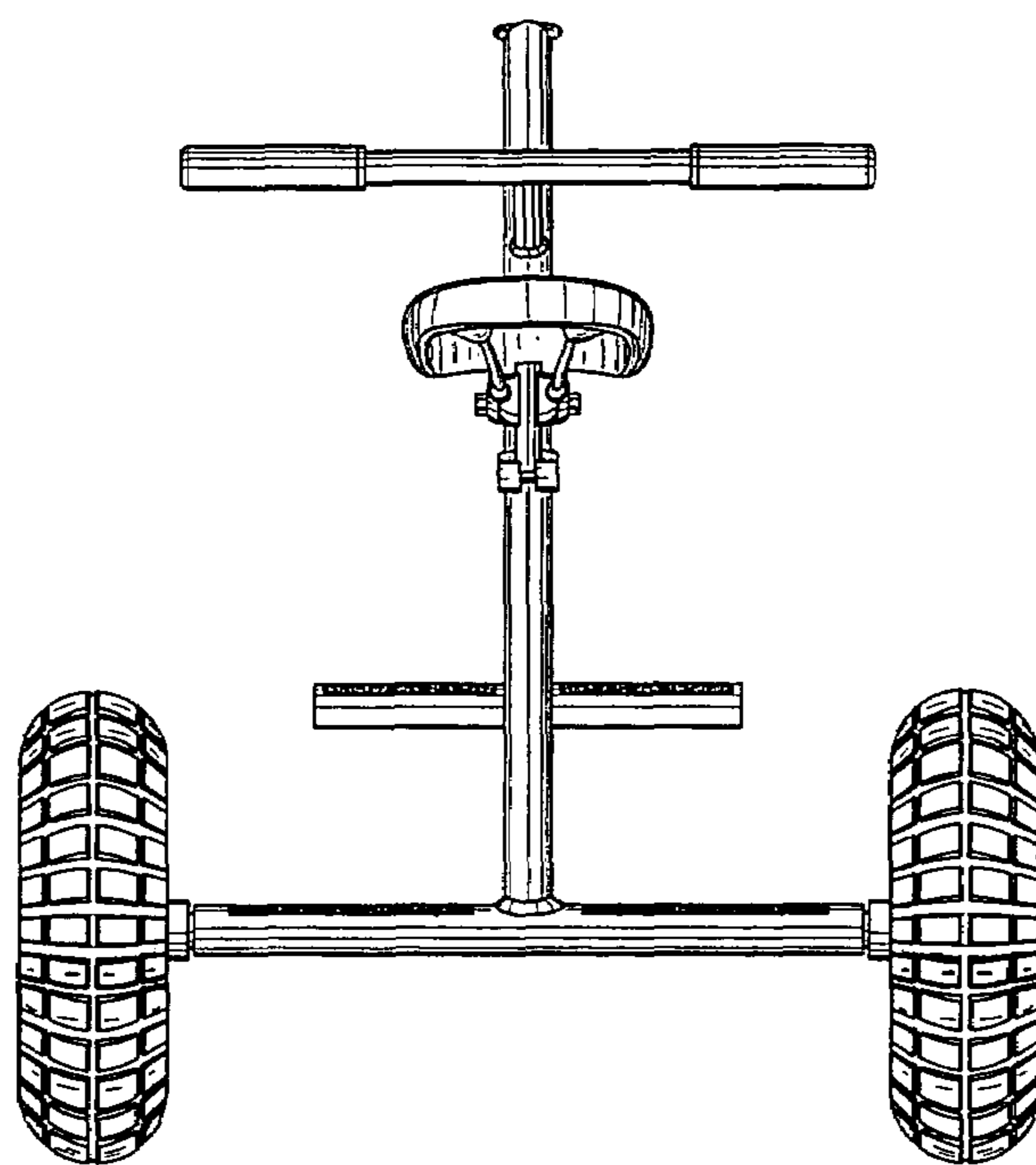


FIG. 4

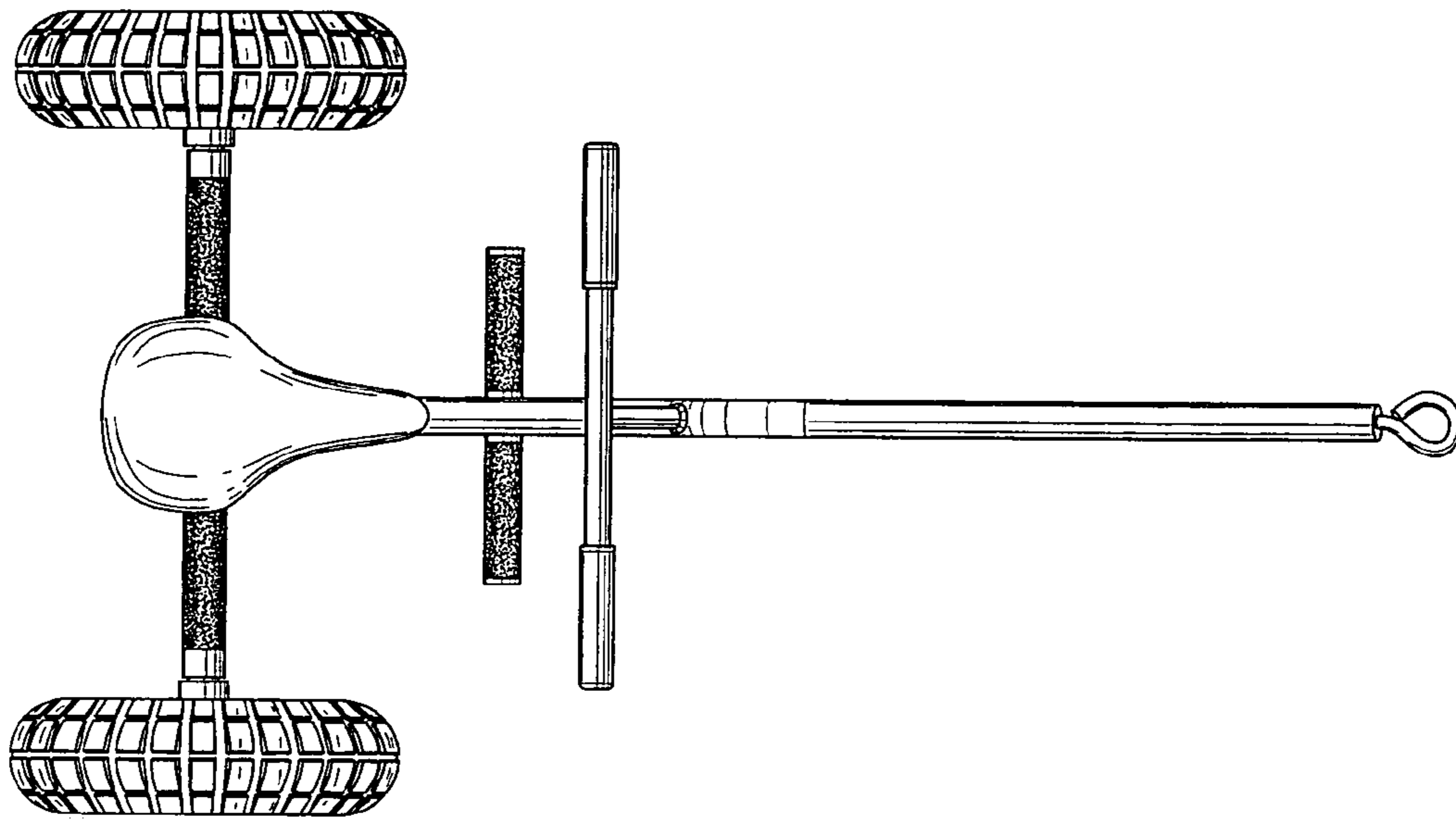


FIG. 5

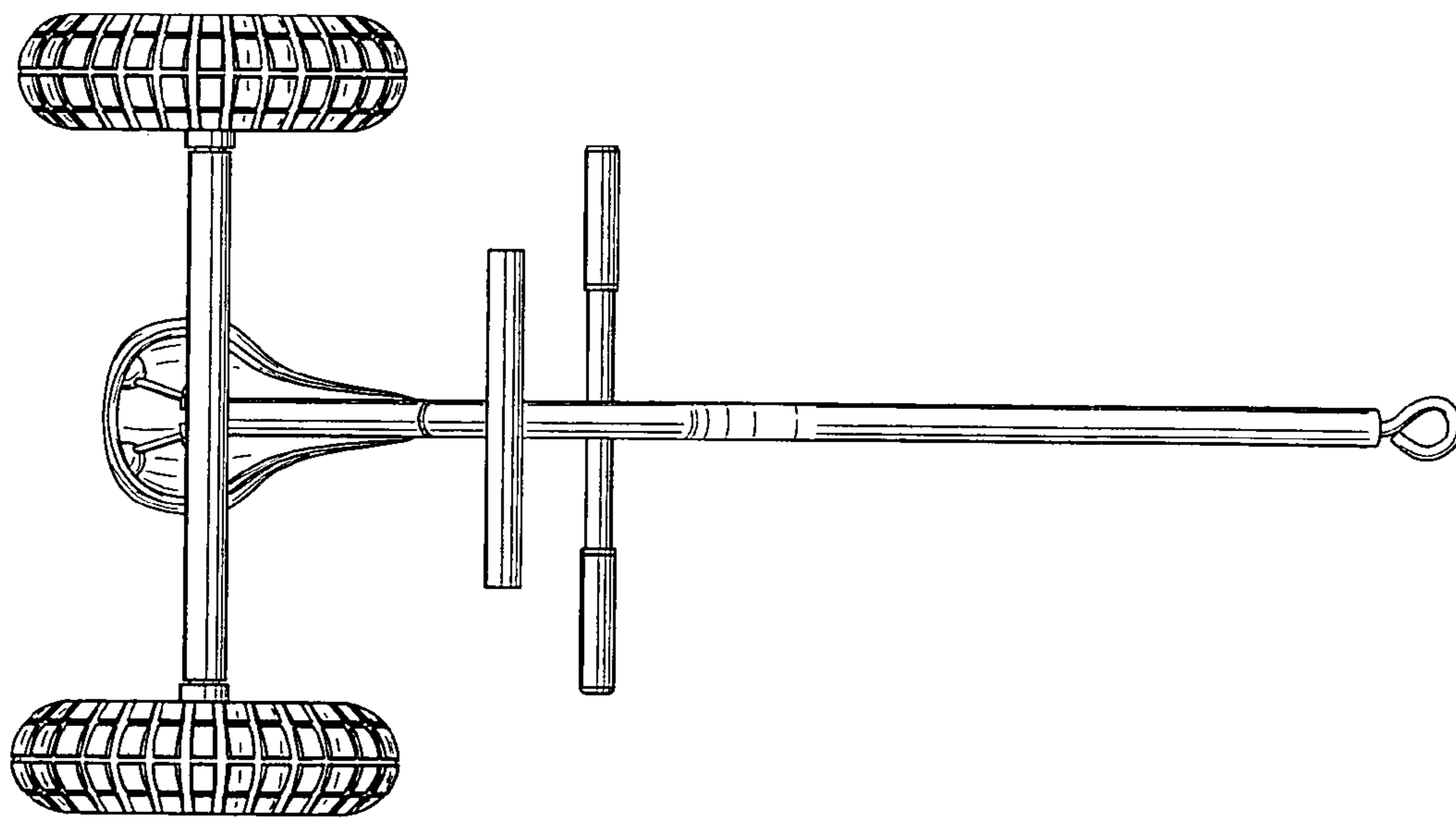


FIG. 6