

US00D545236S

(12) **United States Design Patent**
Allin

(10) **Patent No.:** **US D545,236 S**
(45) **Date of Patent:** **** Jun. 26, 2007**

(54) **PENDANT**

(75) Inventor: **Miyuki Allin**, Paris (FR)

(73) Assignee: **Cartier International, BV**, Amsterdam (NL)

(**) Term: **14 Years**

(21) Appl. No.: **29/235,523**

(22) Filed: **Aug. 2, 2005**

(30) **Foreign Application Priority Data**

Feb. 3, 2005 (EM) 000289988-0002

(51) **LOC (8) Cl.** **11-01**

(52) **U.S. Cl.** **D11/79**

(58) **Field of Classification Search** D11/1-2,
D11/7, 40-44, 46-49, 53, 56-57, 59-61,
D11/63, 65, 79-83, 86-87, 89-90, 99, 91-92,
D11/101, 106, 114-116, 200-201; 63/1.11,
63/18-20; D3/207-211

See application file for complete search history.

(56) **References Cited**

U.S. PATENT DOCUMENTS

1,972,128 A * 9/1934 Bobbroff 63/15
D109,800 S * 5/1938 Foss D11/32
D260,620 S 9/1981 Blum
D394,411 S * 5/1998 Gozlan D11/4
D459,266 S * 6/2002 Rizzetto D11/79
D472,497 S * 4/2003 Bonnet D11/40
D485,204 S * 1/2004 Sandberg D11/43
D507,985 S * 8/2005 Sandberg D11/43

OTHER PUBLICATIONS

1999 Cartier Catalog.
2001 Cartier Catalog.
“Car and Driver” published, on Apr. 10, 2001, p. 111
(Japanese Patent Office Design Division Publicly known Document No. HA 13004309).

“Figaro Japan” vol. 23, p. 142, Dec. 20, 2004 (Japanese Patent Office Design Division Publicly known Document No. HA 1603034).

“Mrs.” vol. 589, p. 276, Mar. 7, 2004 (Japanese Patent Office Design Division Publicly known Document No. HA 15032072).

“Jay Jay” vol. 12, p. 221, Dec. 1, 2000 (Japanese Patent Office Design Division Publicly Known Document No. HA 12012404).

* cited by examiner

Primary Examiner—Ralf Seifert

(74) *Attorney, Agent, or Firm*—Kalow & Springut LLP

(57) **CLAIM**

The ornamental design for a pendant, as shown and described.

DESCRIPTION

FIG. 1 is a perspective view of the pendant.

FIG. 2 is a front view of the pendant.

FIG. 3 is a rear view of the pendant.

FIG. 4 is a top view of the pendant.

FIG. 5 is a bottom view of the pendant.

FIG. 6 is a right side view of the pendant; and,

FIG. 7 is a left side view of the pendant.

The broken lines of the figures are for illustrative purposes only and form no part of the claimed design.

1 Claim, 1 Drawing Sheet

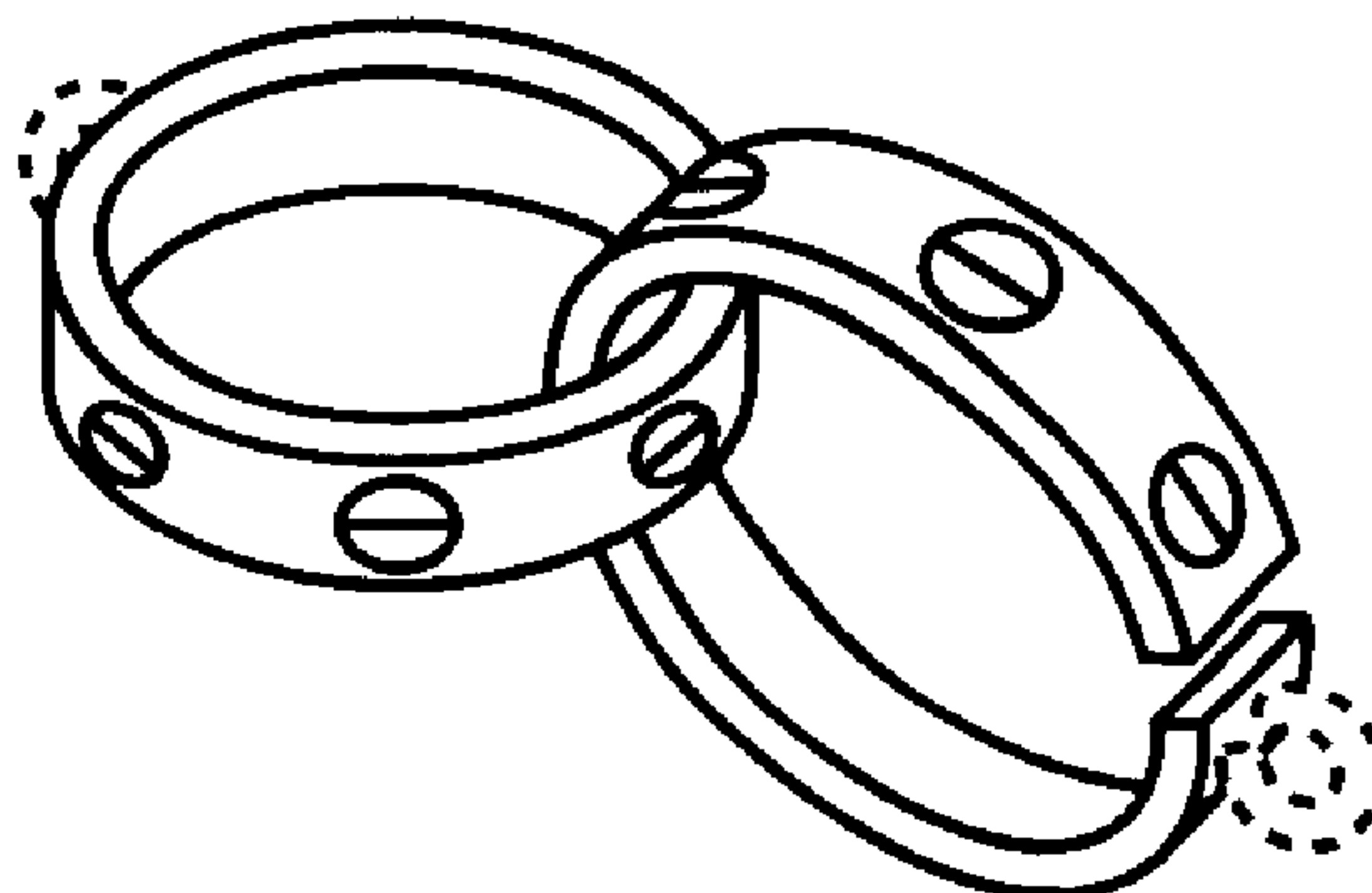


FIG. 1

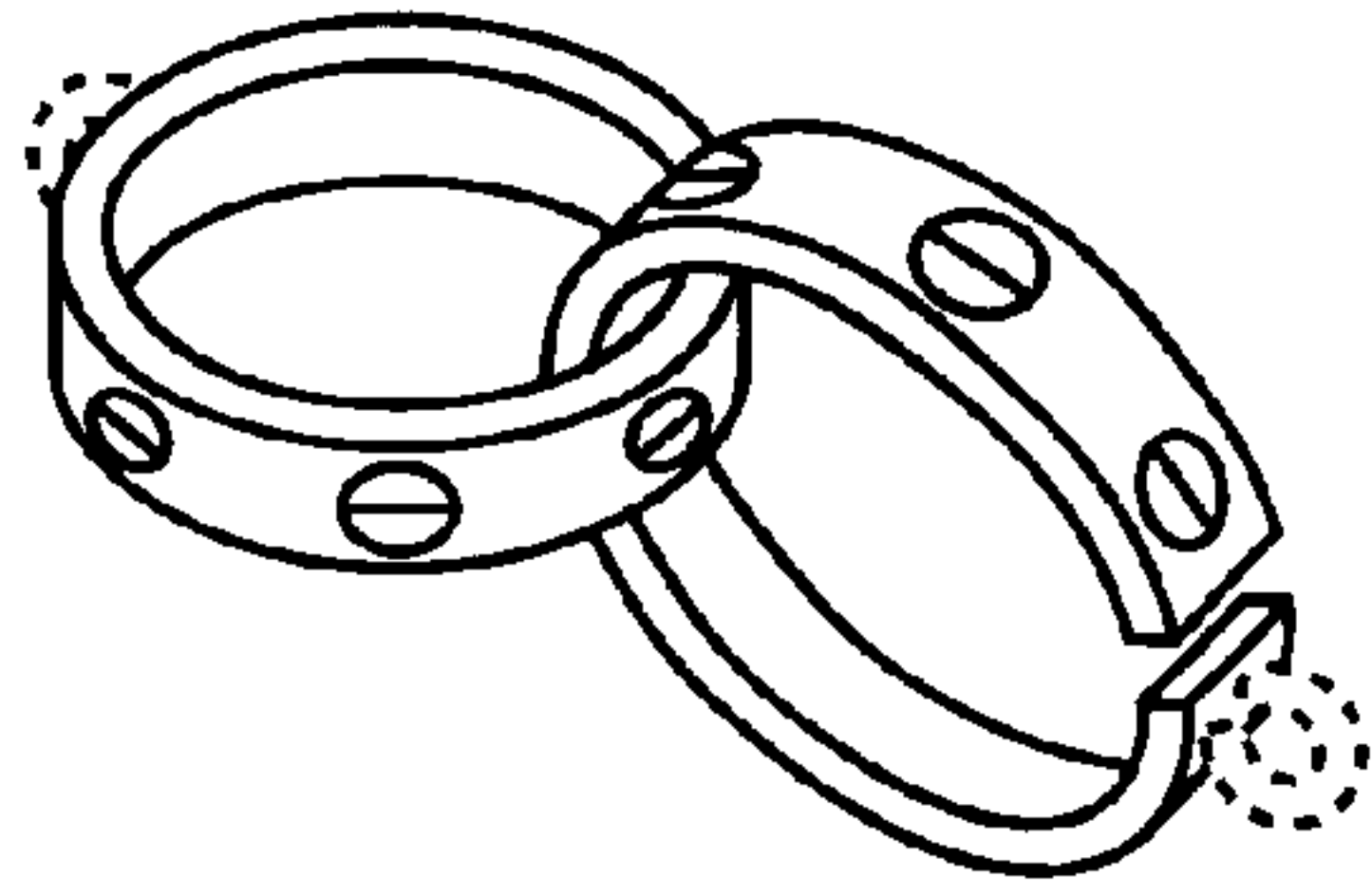


FIG. 2

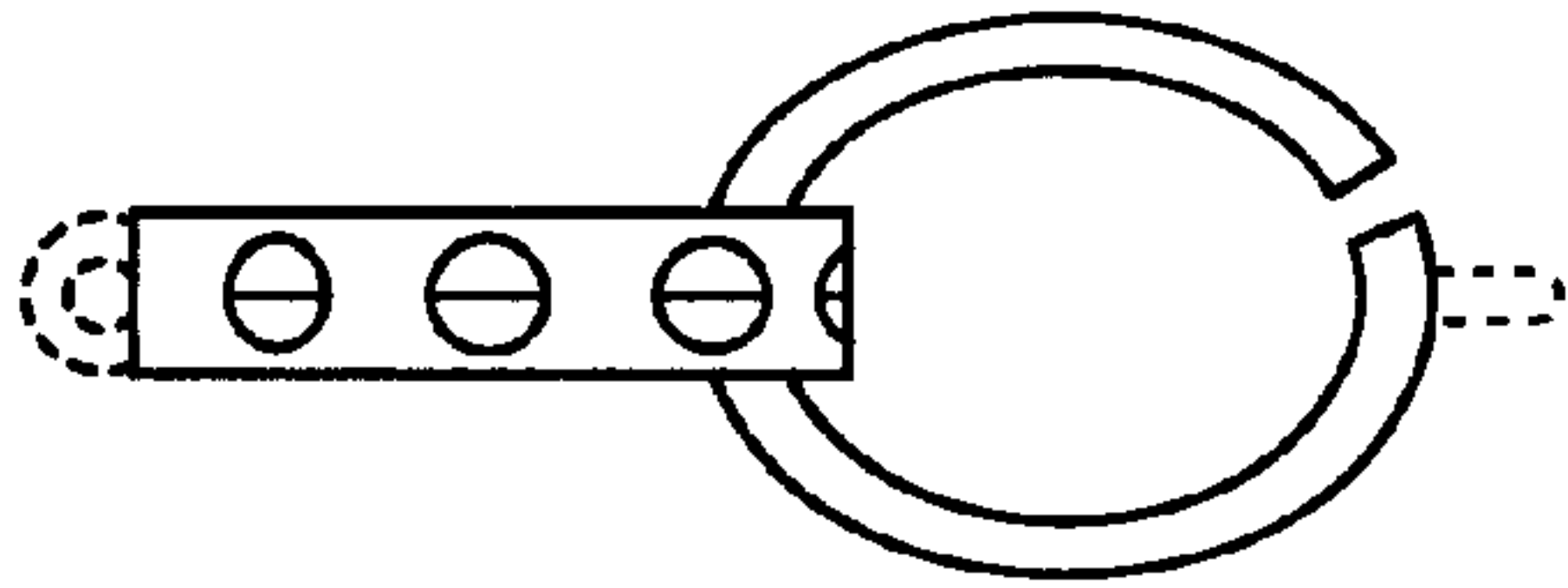


FIG. 3

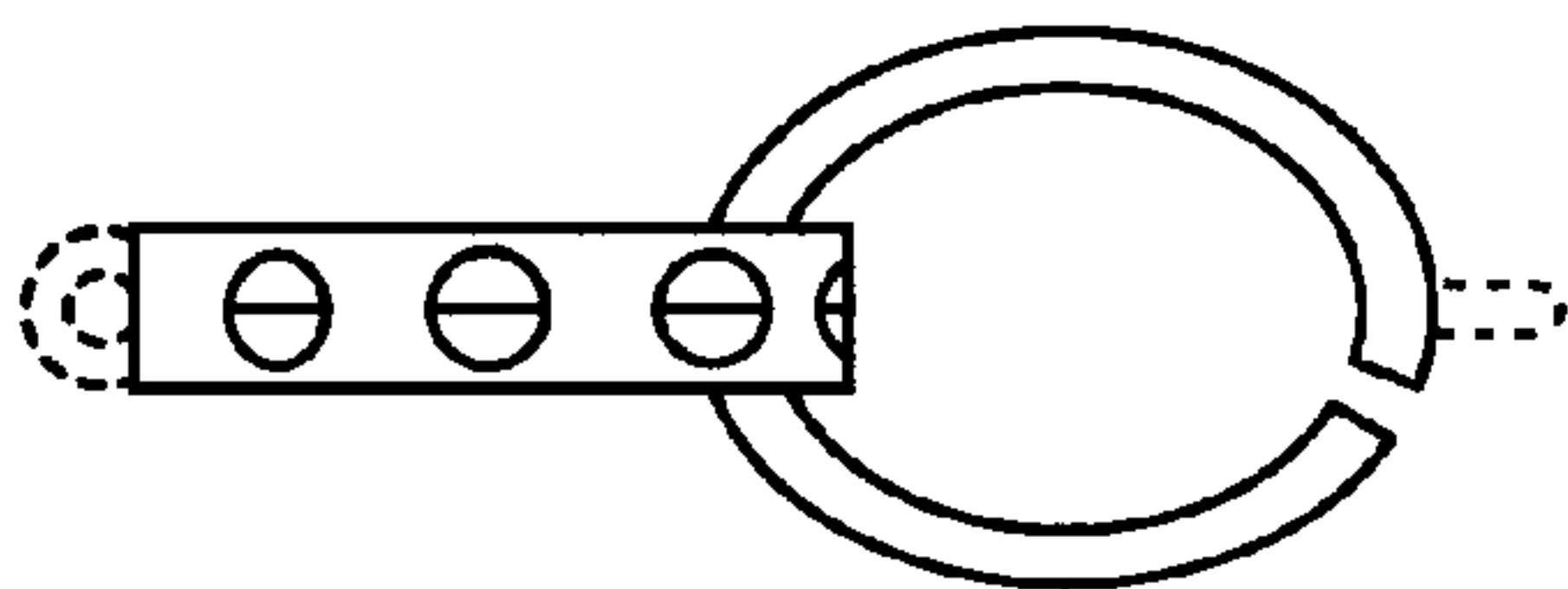


FIG. 4

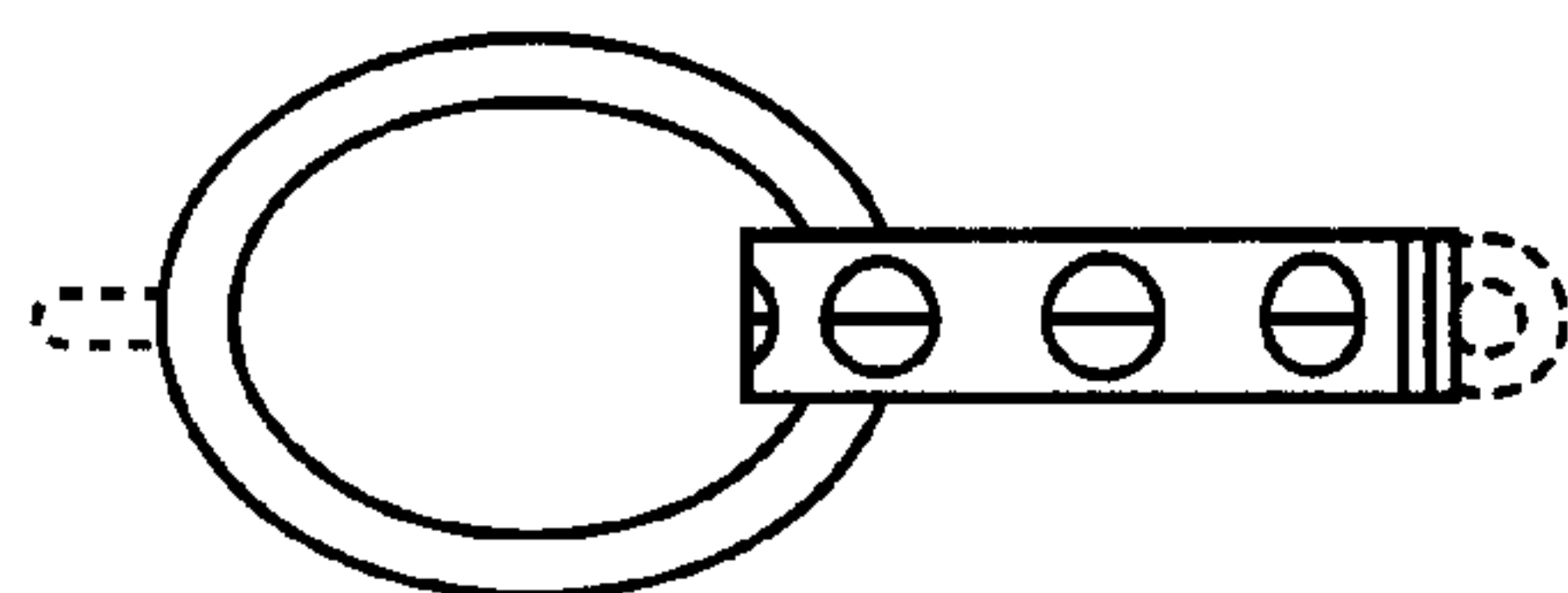


FIG. 5

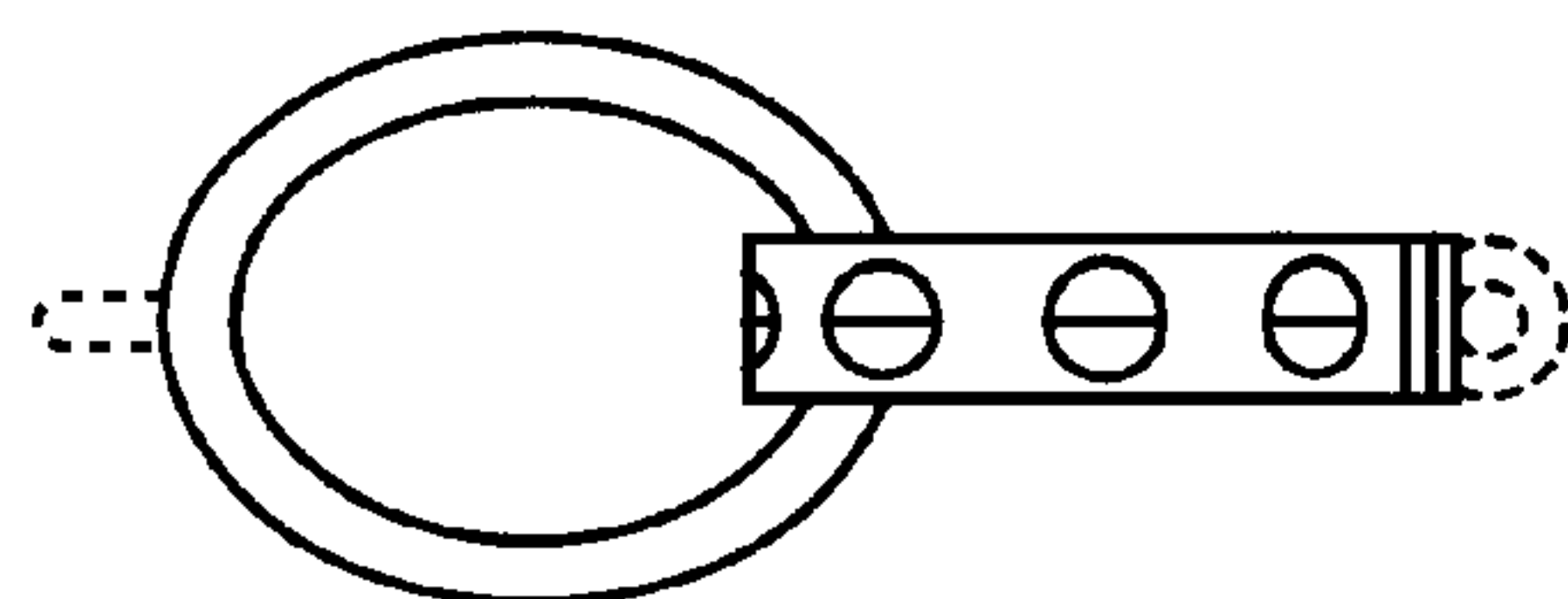


FIG. 6

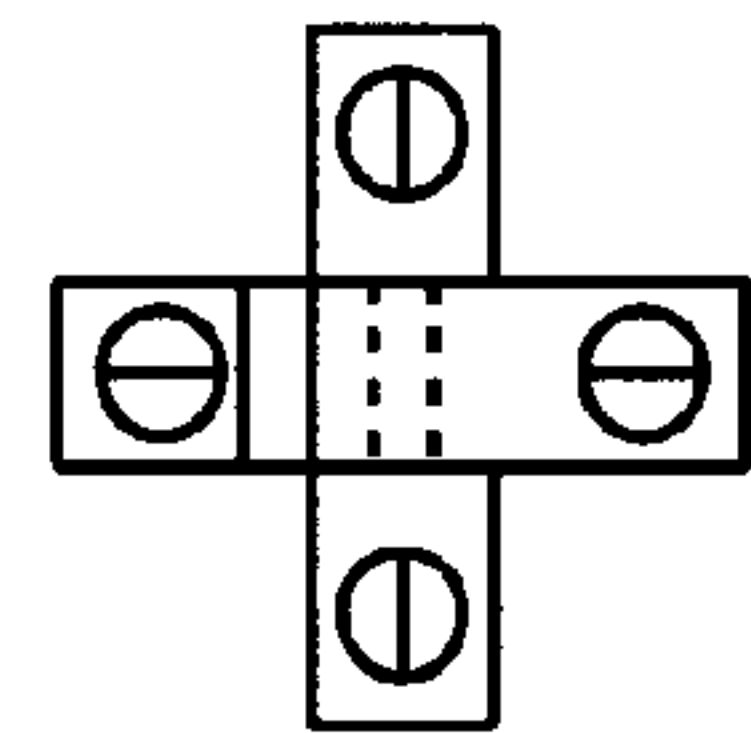


FIG. 7

