



US00D545232S

(12) **United States Design Patent**
Waldman

(10) **Patent No.:** **US D545,232 S**
(45) **Date of Patent:** **** Jun. 26, 2007**

(54) **WATCH FACE**

(75) **Inventor:** **Matthew Waldman**, New York, NY
(US)

(73) **Assignee:** **Nooka, Inc.**, New York, NY (US)

(**) **Term:** **14 Years**

(21) **Appl. No.:** **29/276,003**

(22) **Filed:** **Jan. 11, 2007**

(51) **LOC (8) Cl.** **10-07**

(52) **U.S. Cl.** **D10/125**

(58) **Field of Classification Search** D10/30-39,
D10/123-126; 368/276, 277, 281, 282, 285,
368/29-30, 80, 82-84, 223, 228, 239-242,
368/232, 21, 28

See application file for complete search history.

(56) **References Cited**

U.S. PATENT DOCUMENTS

3,956,879	A *	5/1976	Bailey	368/76
D241,628	S *	9/1976	Bailey	D10/15
D253,042	S *	10/1979	Fee	D10/15
4,247,927	A *	1/1981	Oooka et al.	368/30
D297,816	S *	9/1988	Dawson, Jr.	D10/15
5,214,624	A *	5/1993	Siebrasse	368/82
D337,531	S *	7/1993	Braisted	D10/38
D353,777	S *	12/1994	Braisted	D10/24

D353,781	S *	12/1994	Braisted	D10/38
D354,006	S *	1/1995	Braisted	D10/24
5,818,798	A *	10/1998	Luchun	368/281
D403,608	S *	1/1999	Waldman	D10/128
D403,609	S *	1/1999	Waldman	D10/128
5,896,348	A *	4/1999	Lyon	368/223
D439,540	S *	3/2001	Strasser	D10/125
6,628,571	B2 *	9/2003	Emami	368/82
D508,418	S *	8/2005	Kraft	D10/38

* cited by examiner

Primary Examiner—Lucy Lieberman

(74) *Attorney, Agent, or Firm*—George R. McGuire; Bond, Schoeneck & King, PLLC

(57) **CLAIM**

The ornamental design for a watch face, as shown and described.

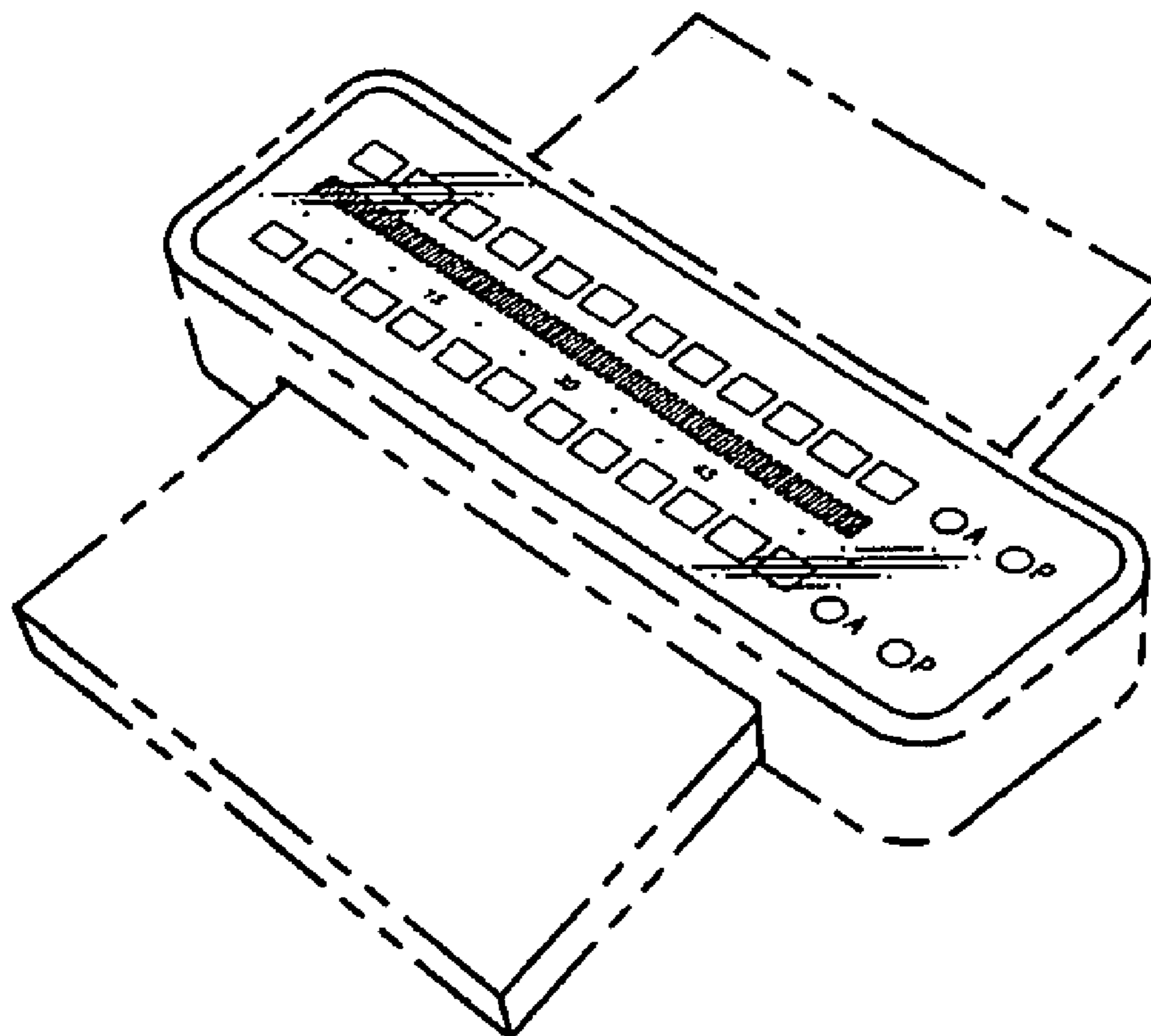
DESCRIPTION

FIG. 1 is a perspective view of my new and original design for a watch face with portions, including the watch band and the watch body shown in phantom for environmental purposes only and forming no part of the claimed invention; and,

FIG. 2 is a top plan view thereof.

The broken lines shown in FIGS. 1 and 2 are for illustrative purposes only and do not form part of the claimed design.

1 Claim, 1 Drawing Sheet



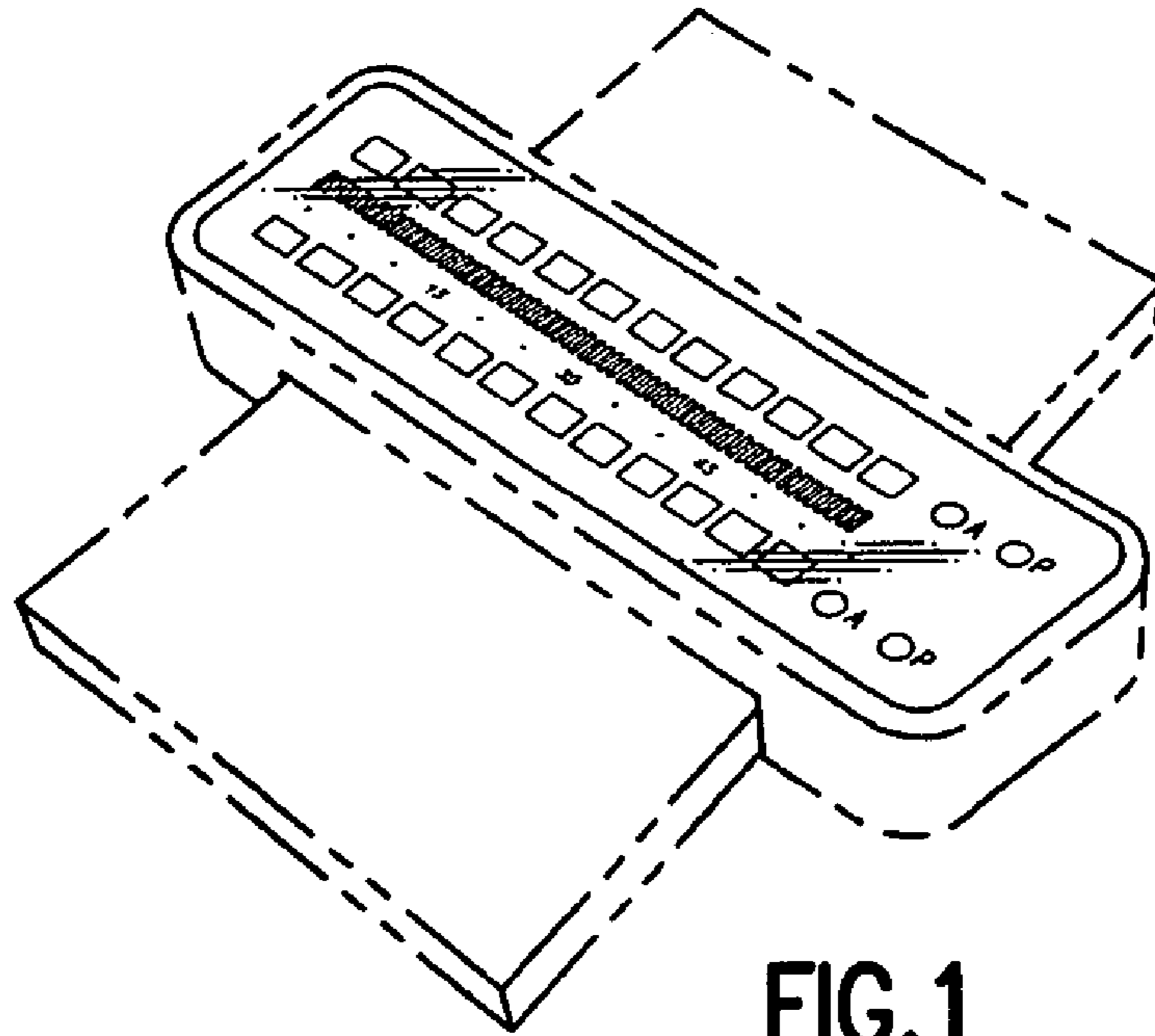


FIG. 1

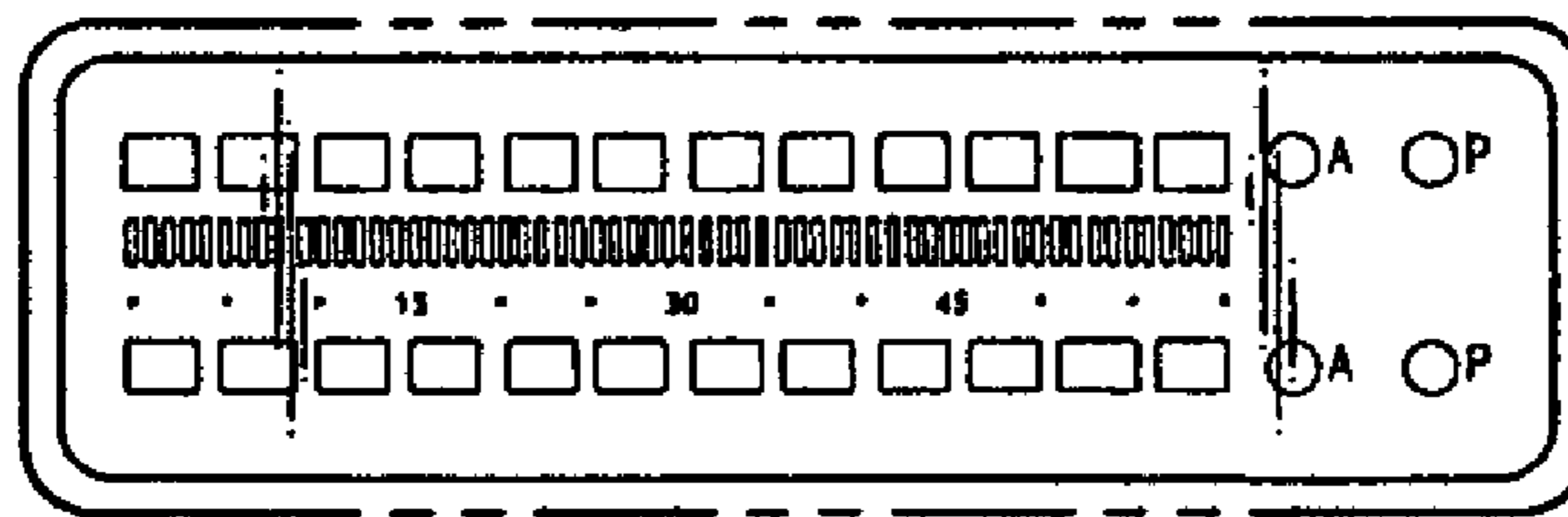


FIG. 2