

US00D545228S

(12) **United States Design Patent**
Fawcett et al.

(10) **Patent No.:** **US D545,228 S**
(45) **Date of Patent:** **** Jun. 26, 2007**

(54) **HOUSING AND HANDLE FOR A CABLE SECURITY DEVICE**

(75) Inventors: **Christopher J. Fawcett**, Charlotte, NC (US); **Ronald M. Marsilio**, Lake Wiley, SC (US)

(73) Assignee: **Alpha Security Products, Inc.**, Charlotte, NC (US)

(**) Term: **14 Years**

(21) Appl. No.: **29/220,240**

(22) Filed: **Dec. 28, 2004**

(51) **LOC (8) Cl.** **10-05**

(52) **U.S. Cl.** **D10/105**

(58) **Field of Classification Search** D10/104-121;
70/59-61, 18, 57.1; 211/4; 24/3.13, 704.1;
340/568.1

See application file for complete search history.

(56) **References Cited**

U.S. PATENT DOCUMENTS

RE35,361 E *	10/1996	Hogan et al.	24/704.1
5,615,463 A *	4/1997	Wu	24/704.1
5,979,196 A *	11/1999	Vanmoor	70/57.1
D424,465 S *	5/2000	Davidson	D10/106
6,092,401 A *	7/2000	Sankey et al.	70/18
6,807,832 B1 *	10/2004	Jeng	70/68
D515,957 S *	2/2006	Dueker et al.	D10/109
D521,403 S *	5/2006	Shain et al.	D10/116
7,129,841 B2 *	10/2006	Feibelman	340/568.1

* cited by examiner

Primary Examiner—Cathron C. Brooks
Assistant Examiner—George D. Kirschbaum, Jr.
(74) *Attorney, Agent, or Firm*—Sand & Sebolt

(57) **CLAIM**

The ornamental design for a housing and handle for a cable security device, as shown and described.

DESCRIPTION

FIG. 1 is a perspective view of the housing and handle for a cable security device showing our new design;

FIG. 2 is a front elevational view of FIG. 1.

FIG. 3 is a rear elevational view of FIG. 1.

FIG. 4 is a top plan view of FIG. 1.

FIG. 5 is a left side elevational view of FIG. 4.

FIG. 6 is a right side elevational view of FIG. 4.

FIG. 7 is a perspective view similar to FIG. 1 with the handle being in a raised operative position.

FIG. 8 is a front elevational view of FIG. 7.

FIG. 9 is a rear elevational view of FIG. 8.

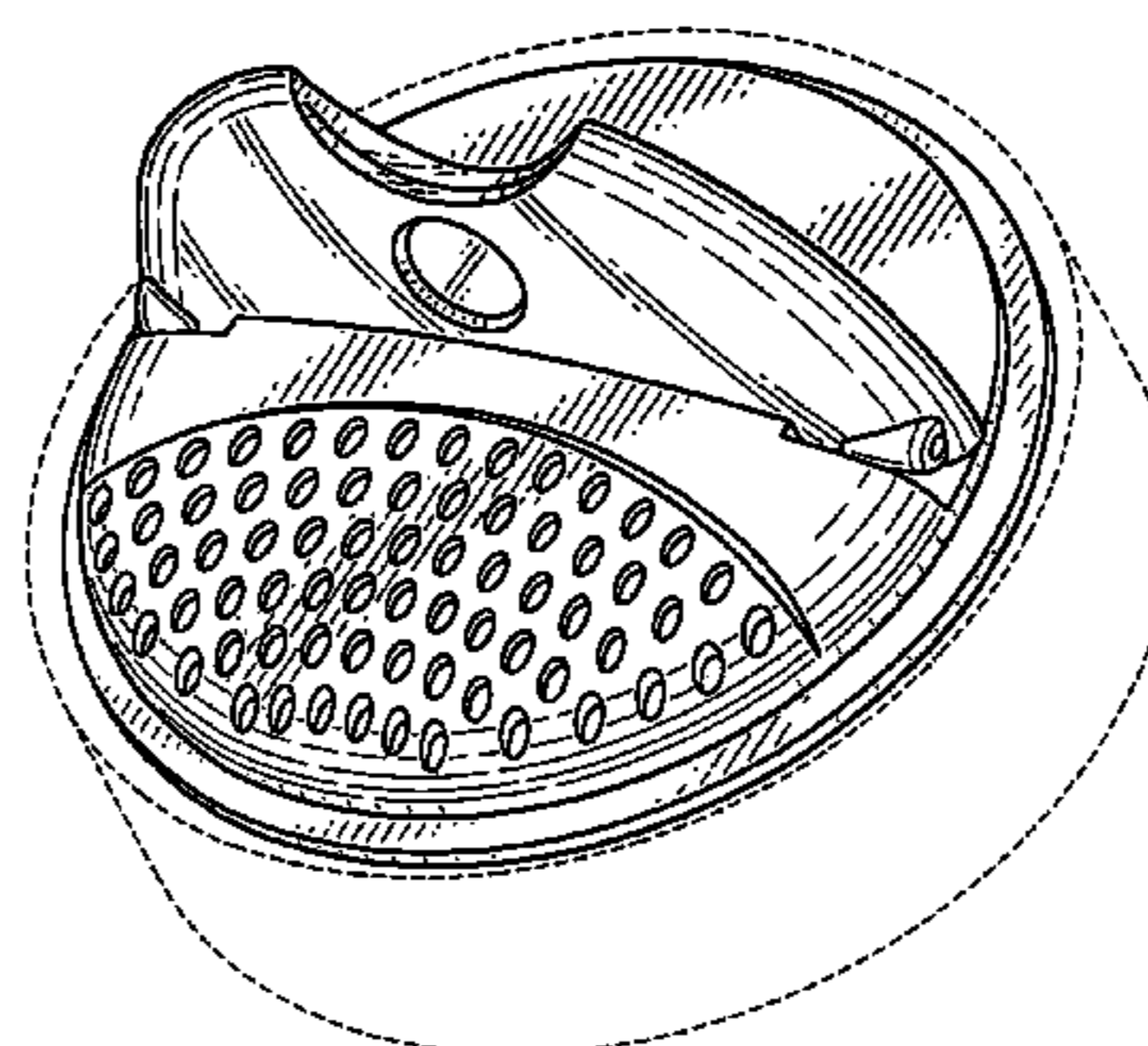
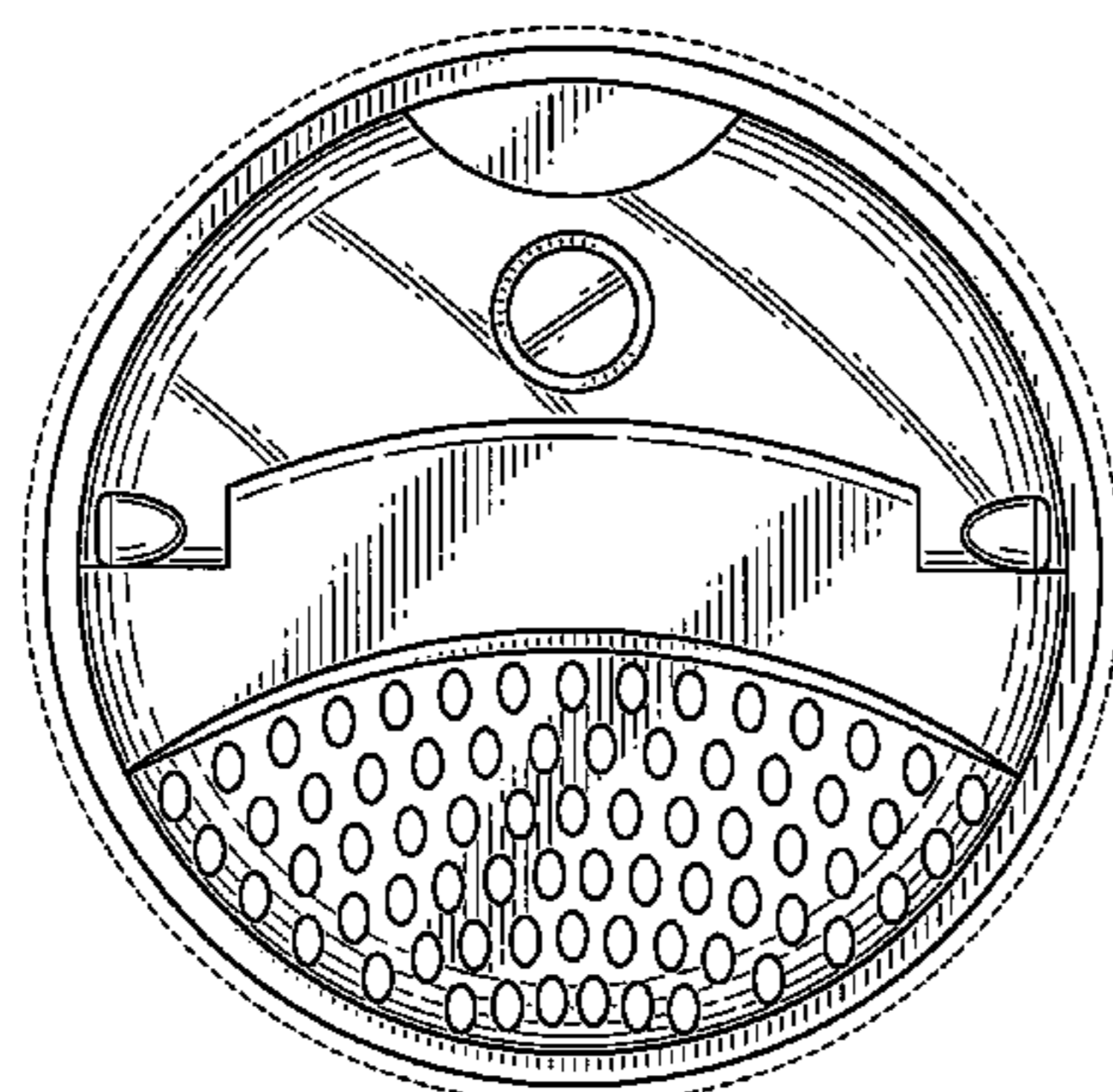
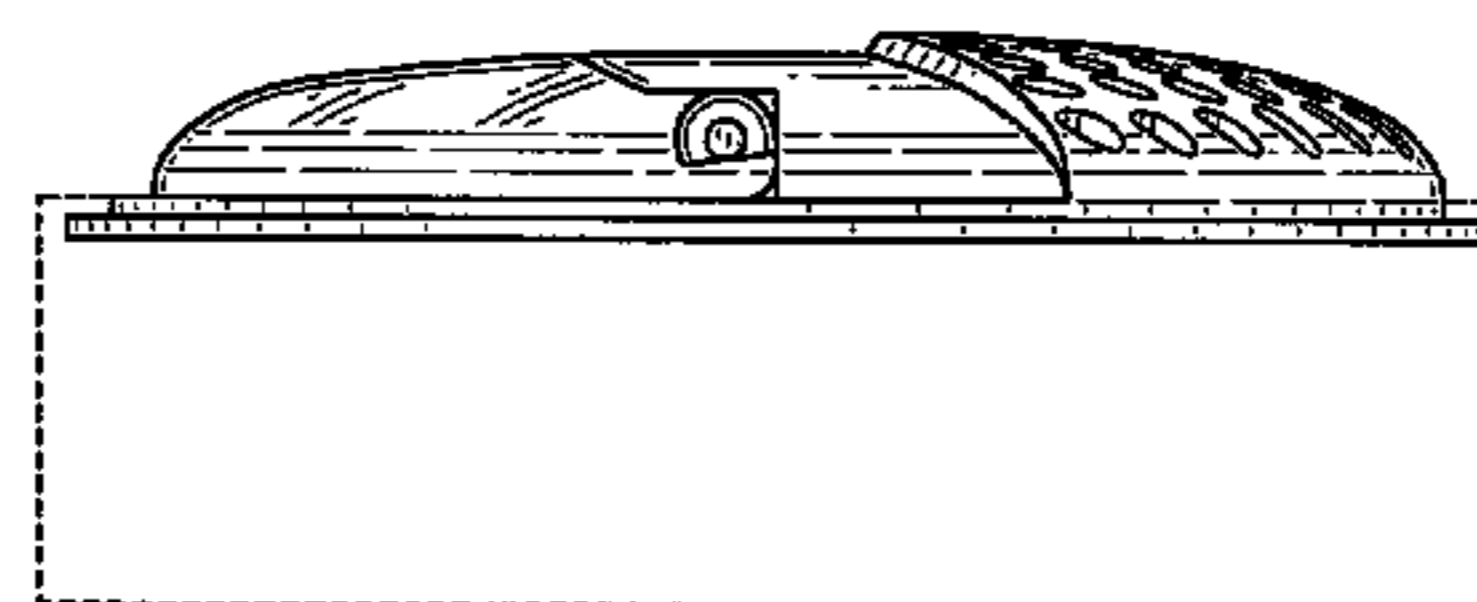
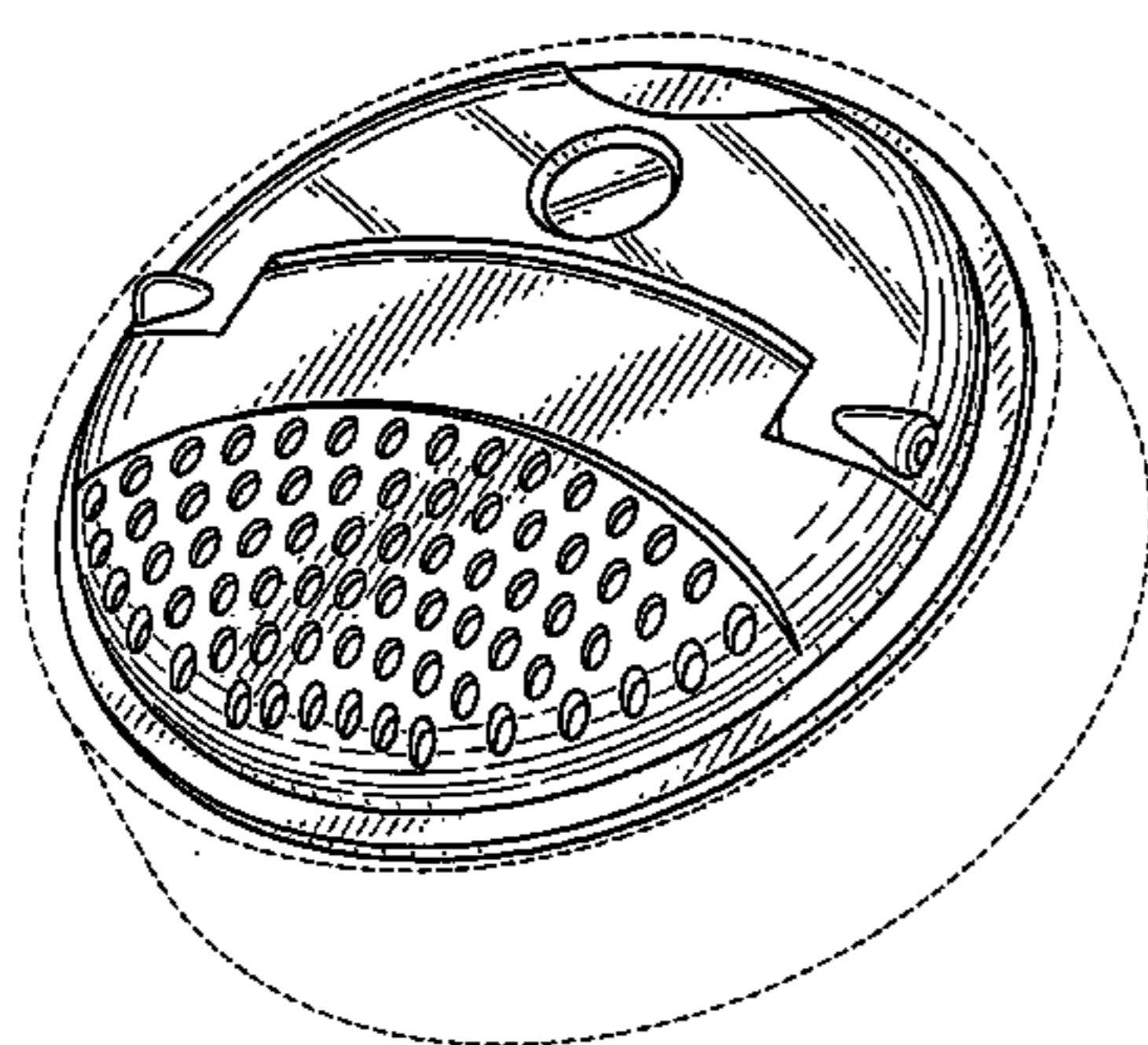
FIG. 10 is a top plan view of FIG. 8.

FIG. 11 is a left side elevational view of FIG. 10; and,

FIG. 12 is a right side elevational view of FIG. 10.

The broken line showing of the lower body portion of the security device is included for the purpose of illustrating environmental subject matter and forms no part of the claimed design.

1 Claim, 5 Drawing Sheets



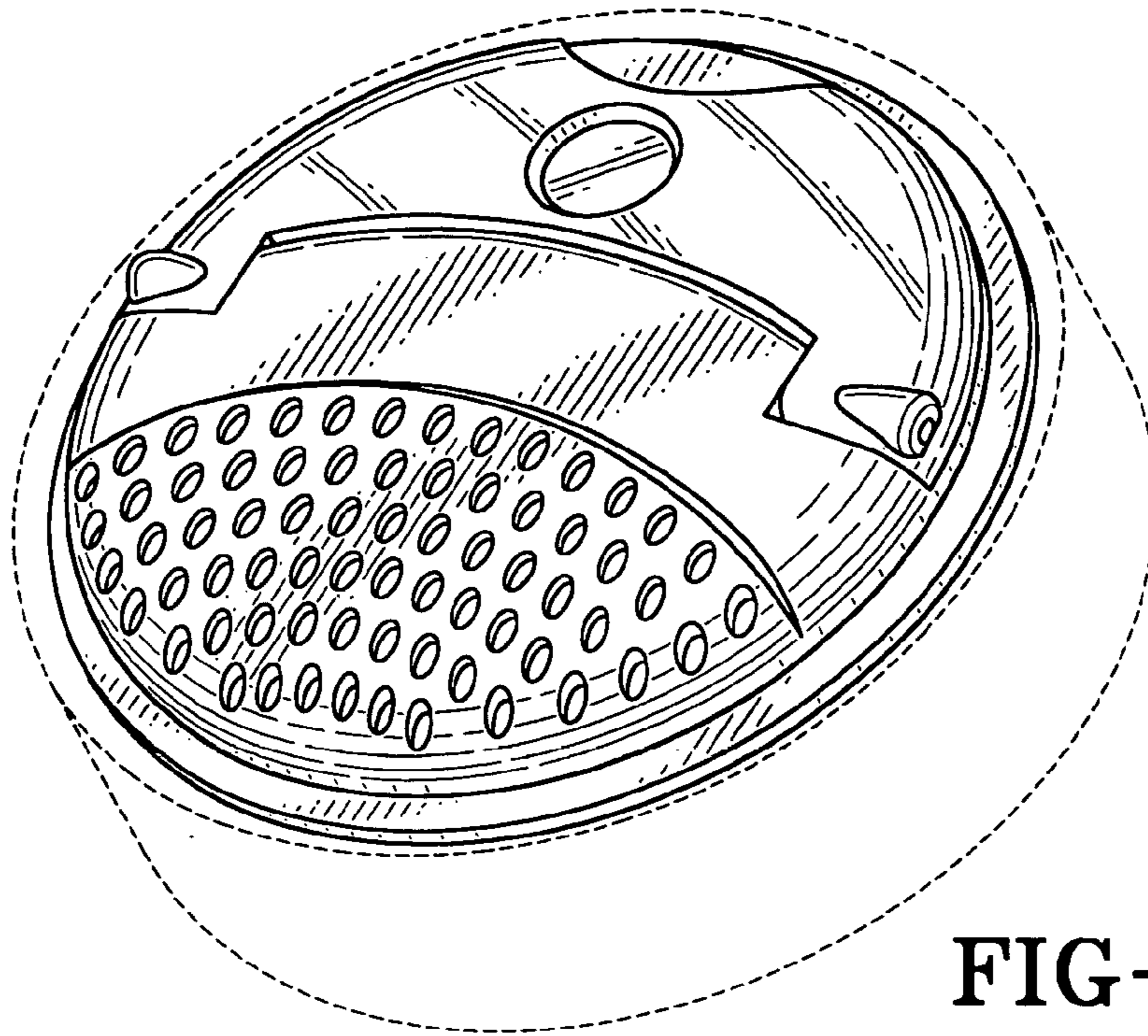


FIG-1

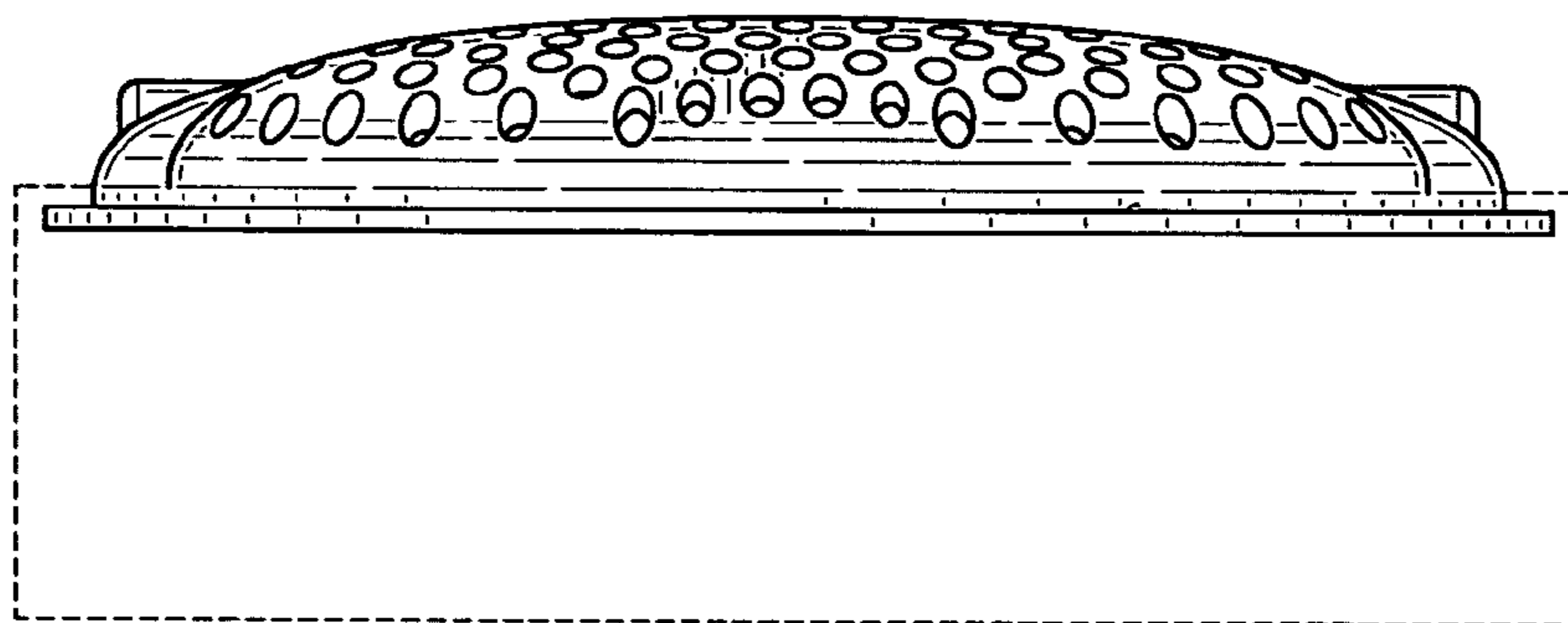


FIG-2

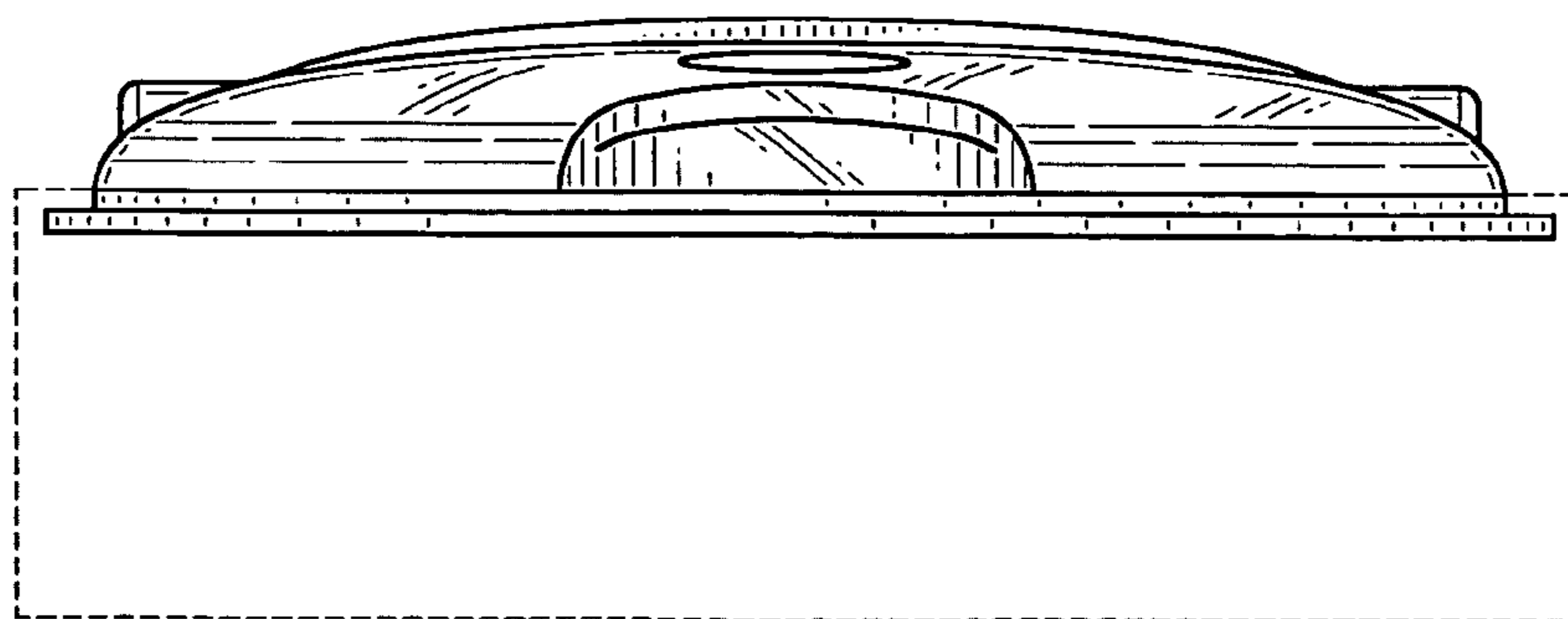


FIG-3

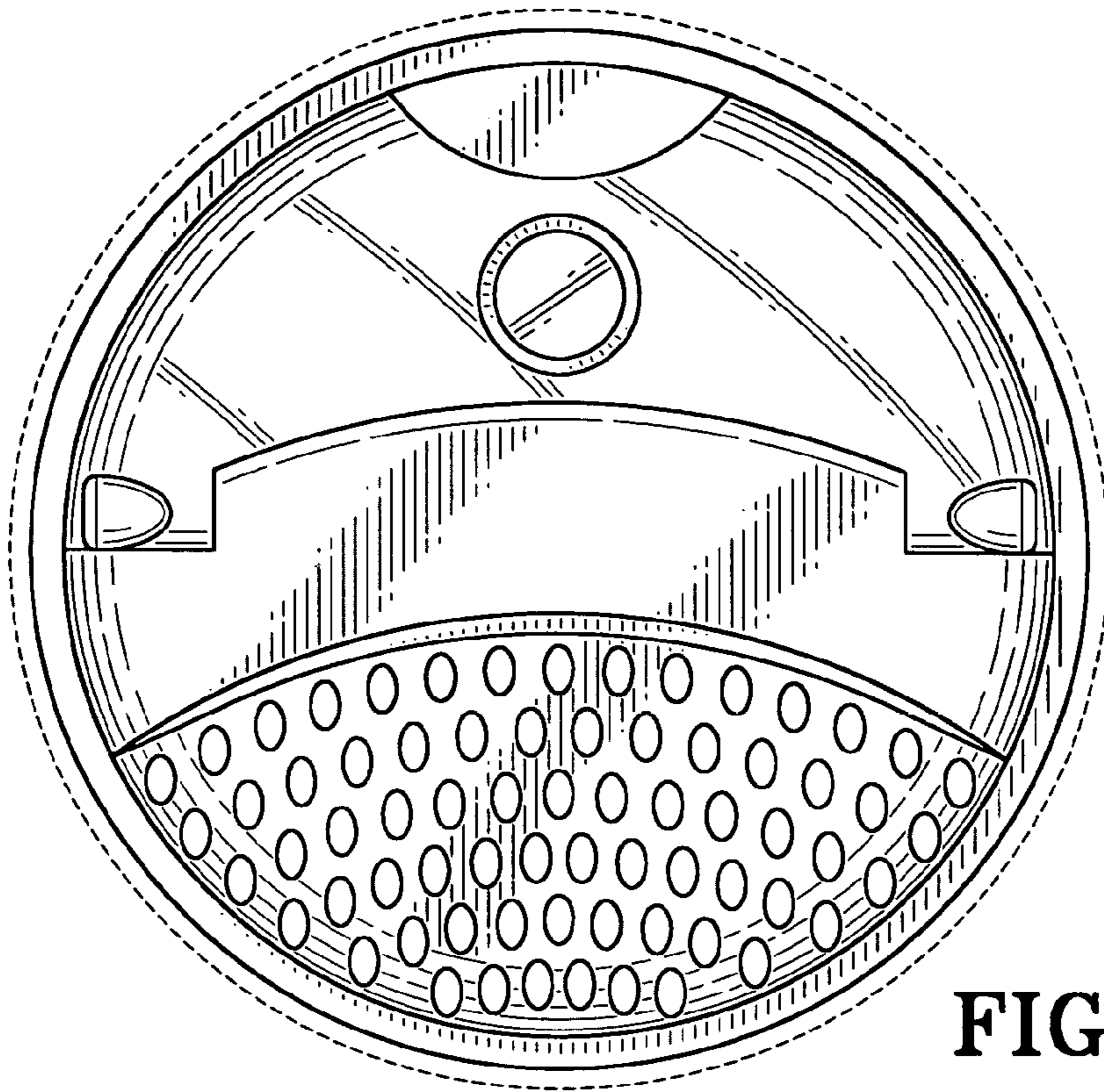


FIG-4

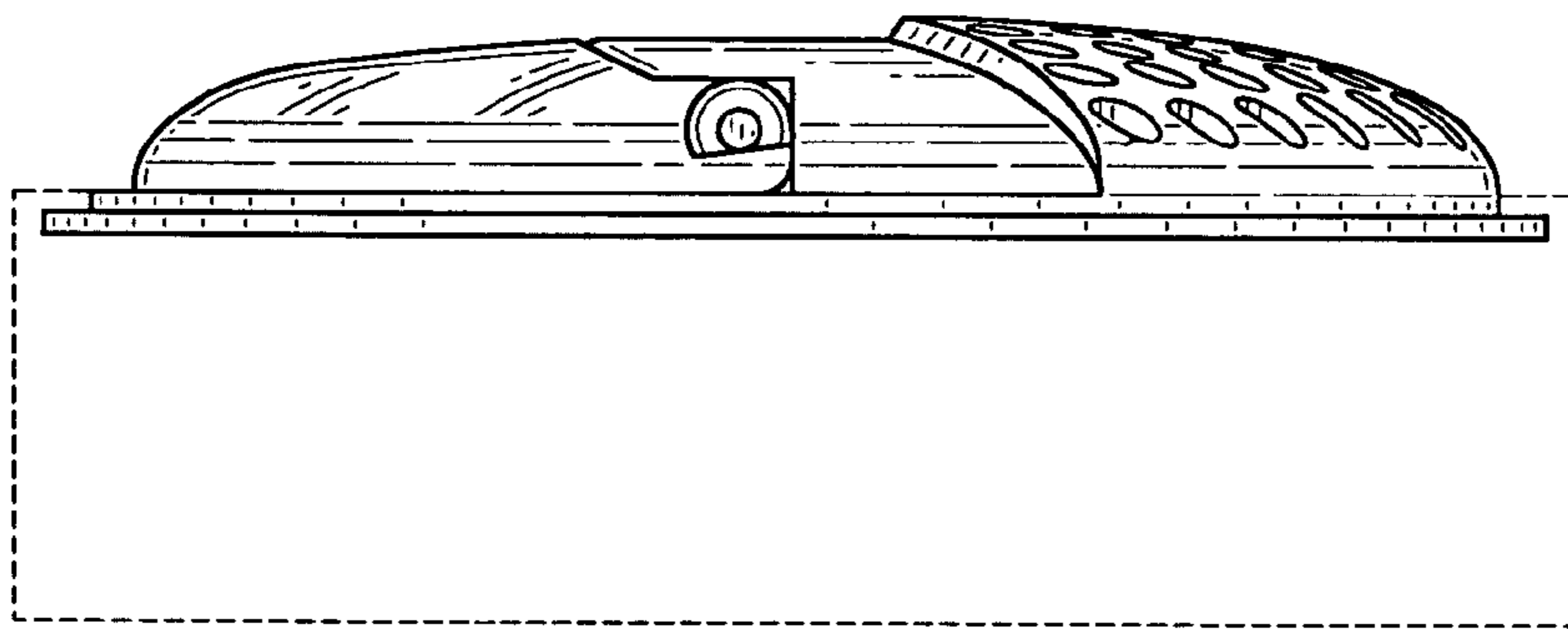


FIG-5

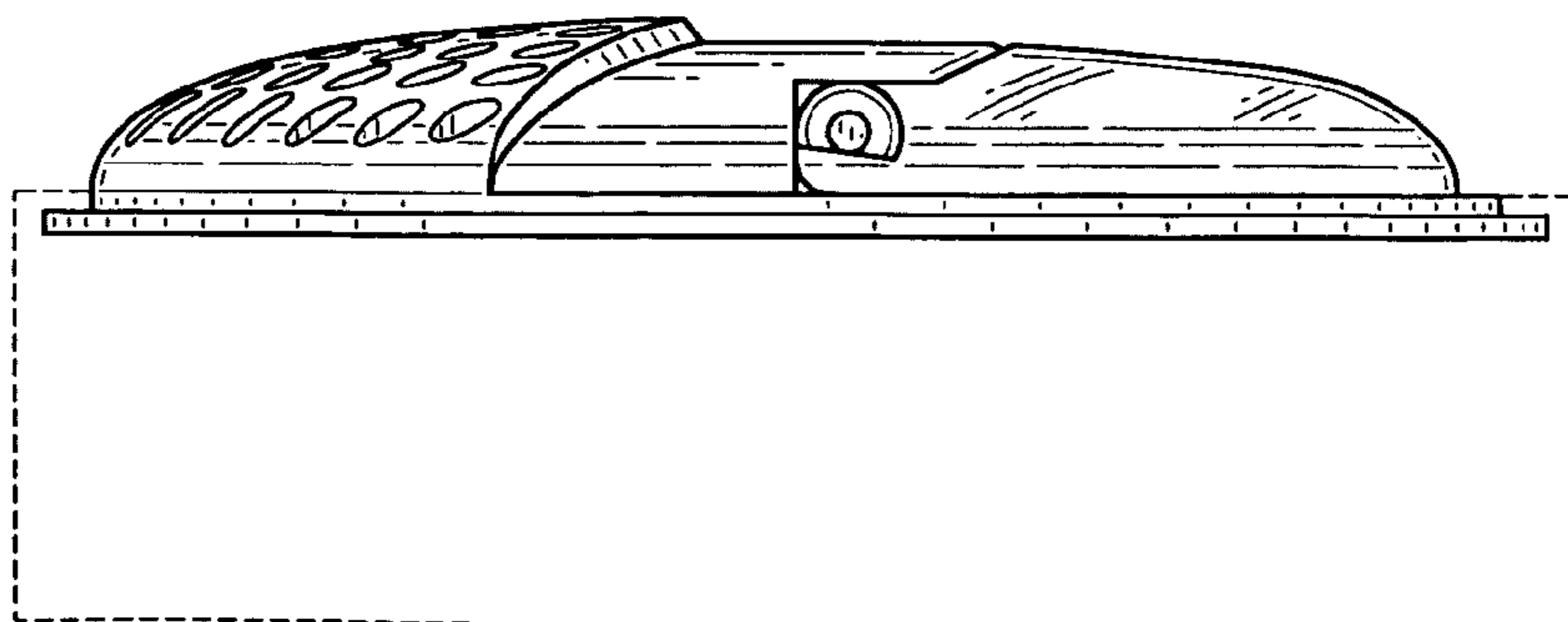


FIG-6

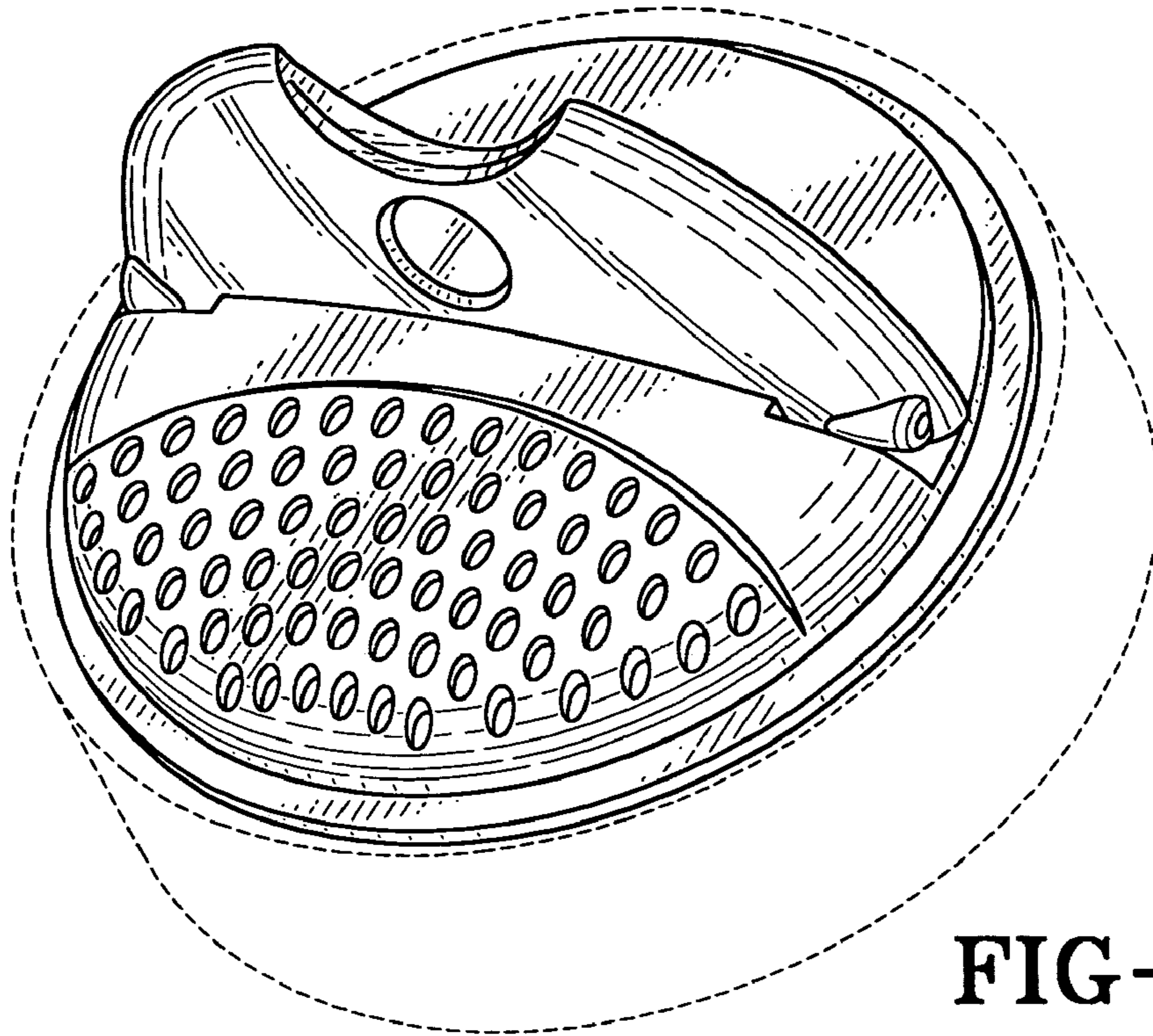


FIG-7

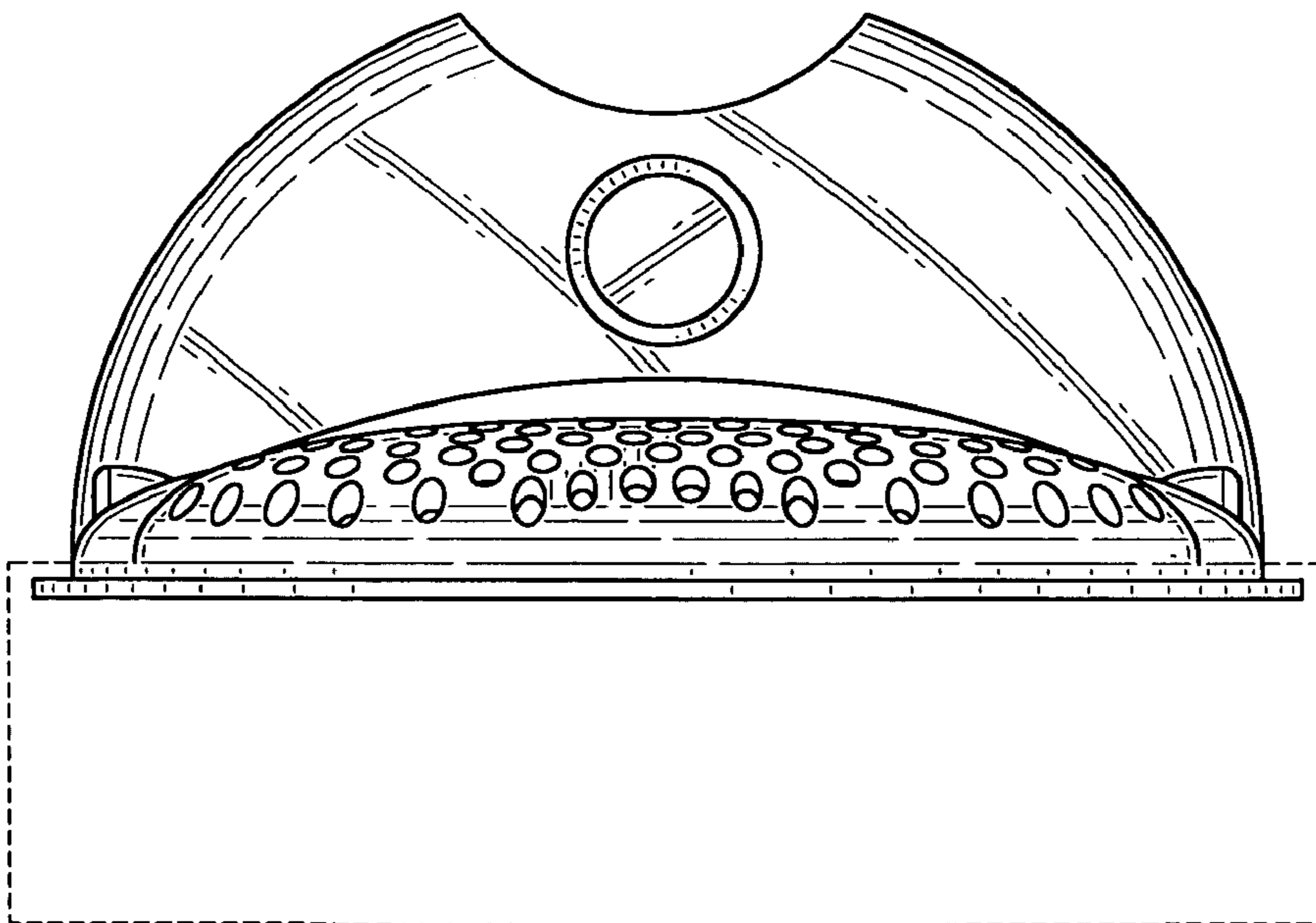


FIG-8

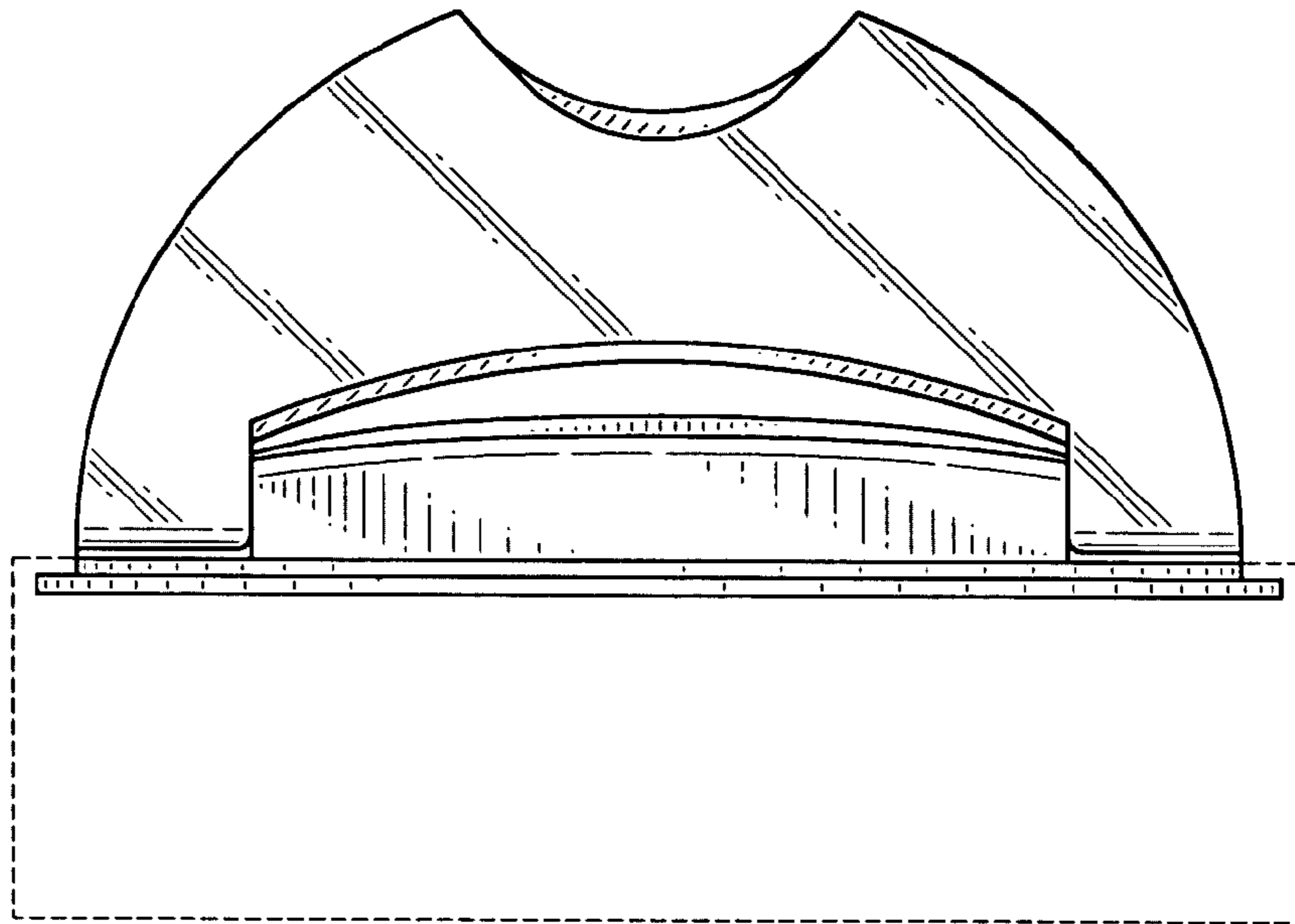


FIG-9

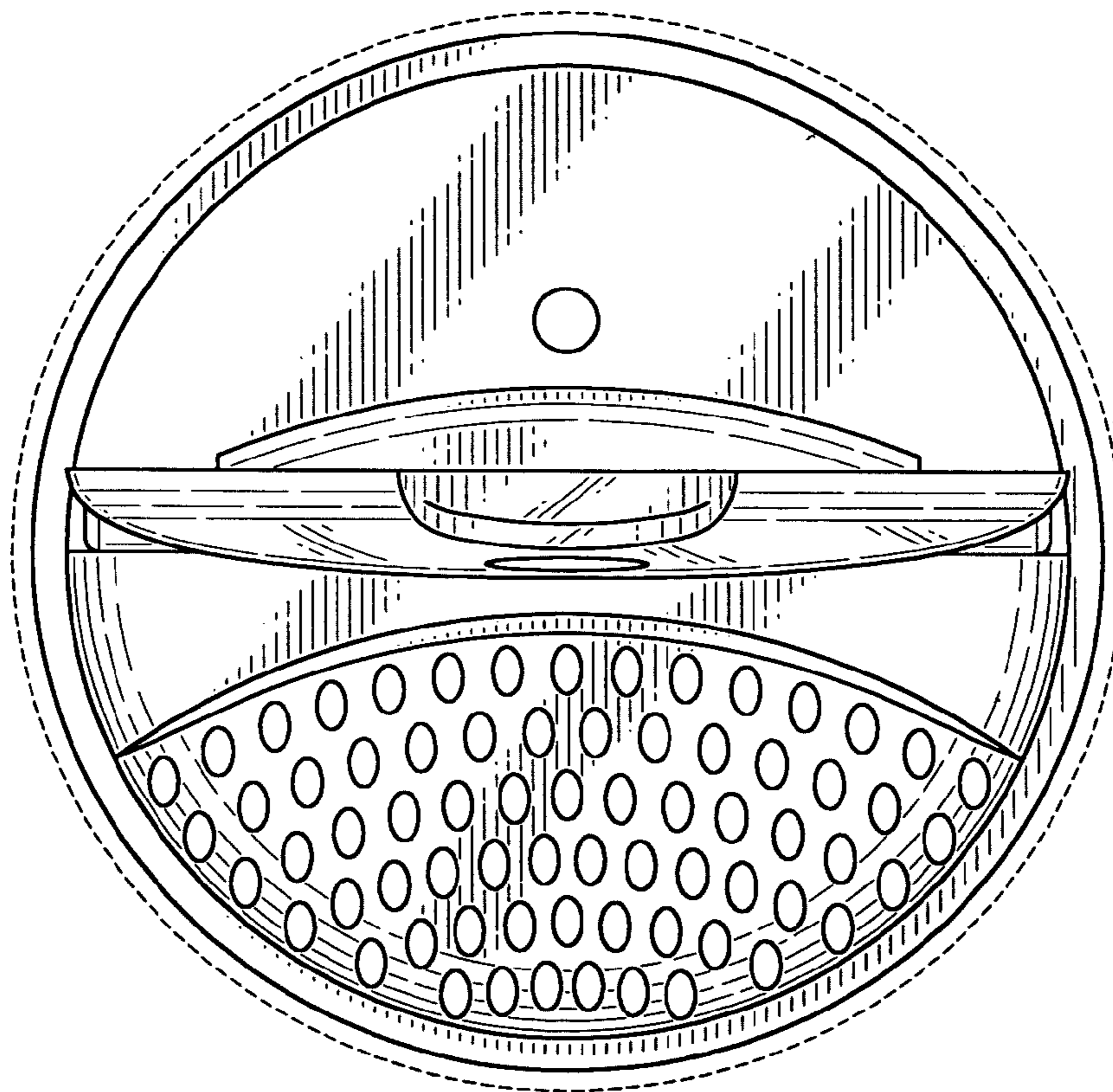


FIG-10

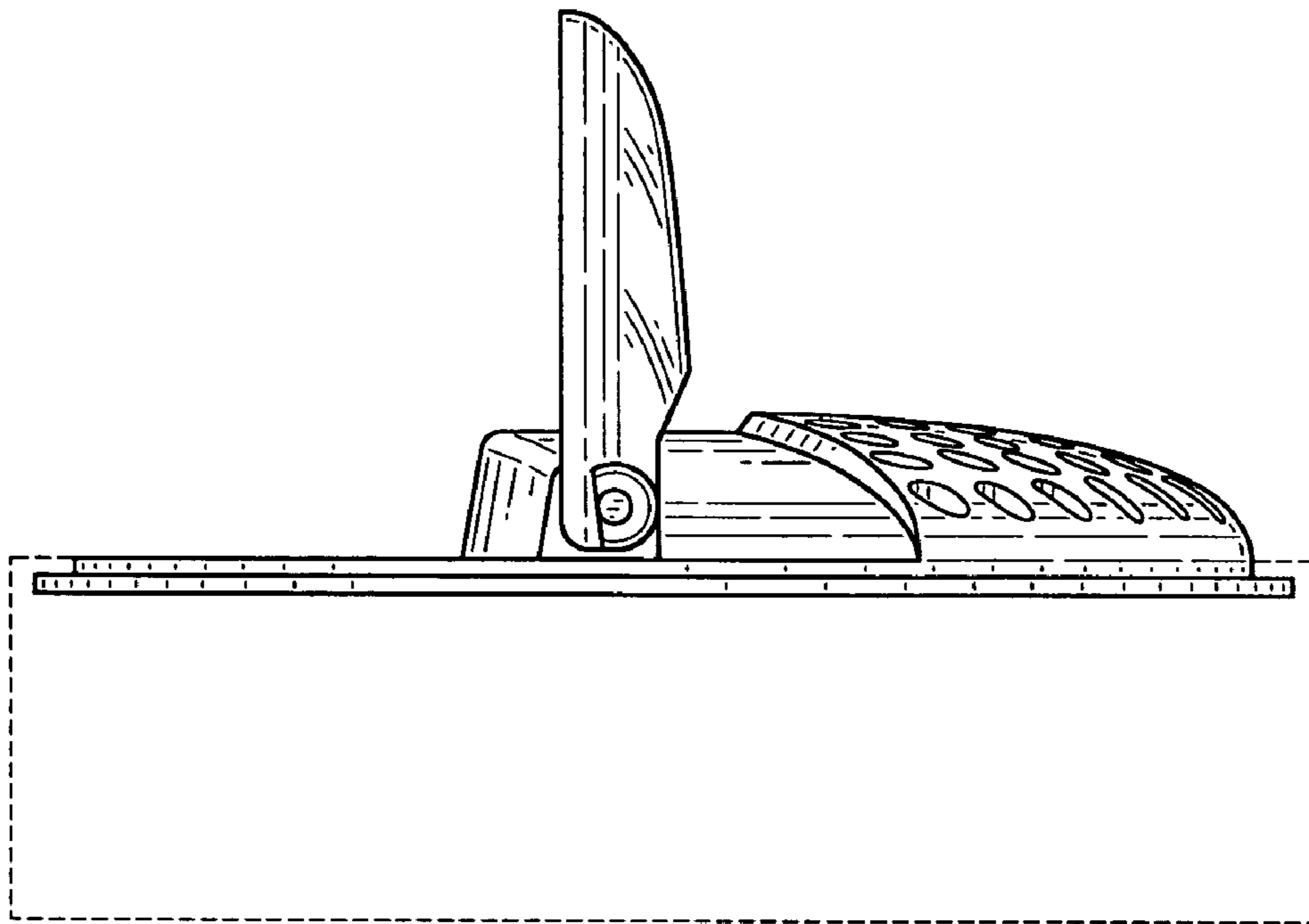


FIG-11

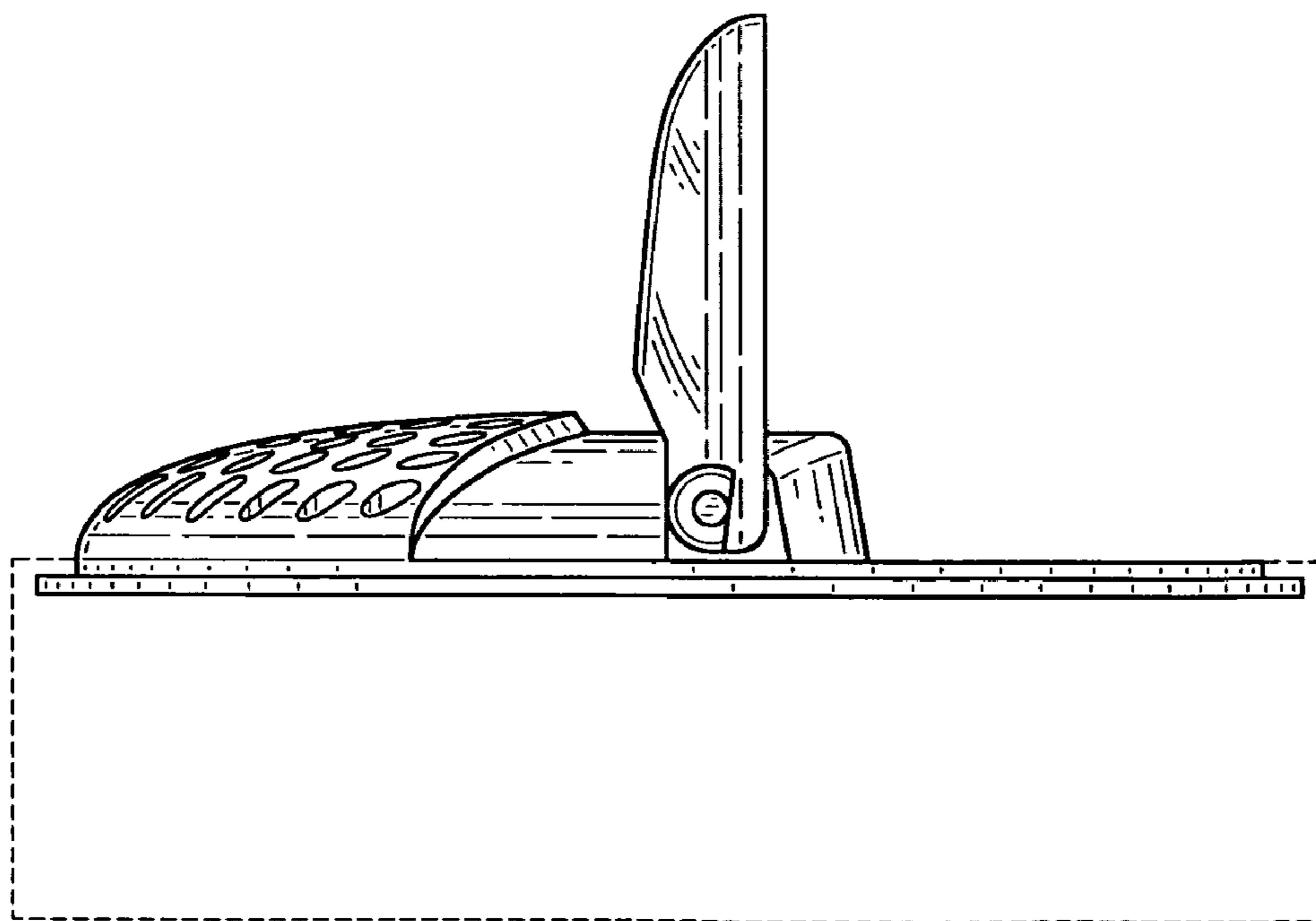


FIG-12