

US00D545225S

(12) **United States Design Patent**
Azuma

(10) **Patent No.:** **US D545,225 S**

(45) **Date of Patent:** **** Jun. 26, 2007**

(54) **PEDOMETER**

(75) Inventor: **Shigeharu Azuma**, Tokyo (JP)

(73) Assignee: **Tanita Corporation**, Tokyo (JP)

(**) Term: **14 Years**

(21) Appl. No.: **29/269,699**

(22) Filed: **Dec. 7, 2006**

(30) **Foreign Application Priority Data**

Jun. 7, 2006 (JP) 2006-014623

(51) **LOC (8) Cl.** **10-04**

(52) **U.S. Cl.** **D10/70**

(58) **Field of Classification Search** D10/70;
235/95 C, 105; 377/5, 24.2, 26; 702/144,
702/160, 176

See application file for complete search history.

(56) **References Cited**

U.S. PATENT DOCUMENTS

D312,050 S *	11/1990	Singleton	D10/70
D313,360 S *	1/1991	Robinson	D10/70
D313,361 S *	1/1991	Robinson	D10/70
6,314,384 B1 *	11/2001	Goetz	702/177
6,349,126 B2 *	2/2002	Ogawa et al.	377/24.2
D456,288 S *	4/2002	Arispuro	D10/70

6,386,041 B1 *	5/2002	Yang	73/651
D460,367 S *	7/2002	Apotheloz et al.	D10/70
D460,368 S *	7/2002	Apotheloz et al.	D10/70
D460,369 S *	7/2002	Apotheloz et al.	D10/70
D472,826 S *	4/2003	Sanoner	D10/70
D478,018 S *	8/2003	Adamosky	D10/65

* cited by examiner

Primary Examiner—Antoine D. Davis

(74) *Attorney, Agent, or Firm*—McDermott Will & Emery LLP

(57) **CLAIM**

The ornamental design for a pedometer, as shown and described.

DESCRIPTION

FIG. 1 is a front perspective view of the pedometer showing the new design;

FIG. 2 is a front view of the pedometer;

FIG. 3 is a rear view of the pedometer;

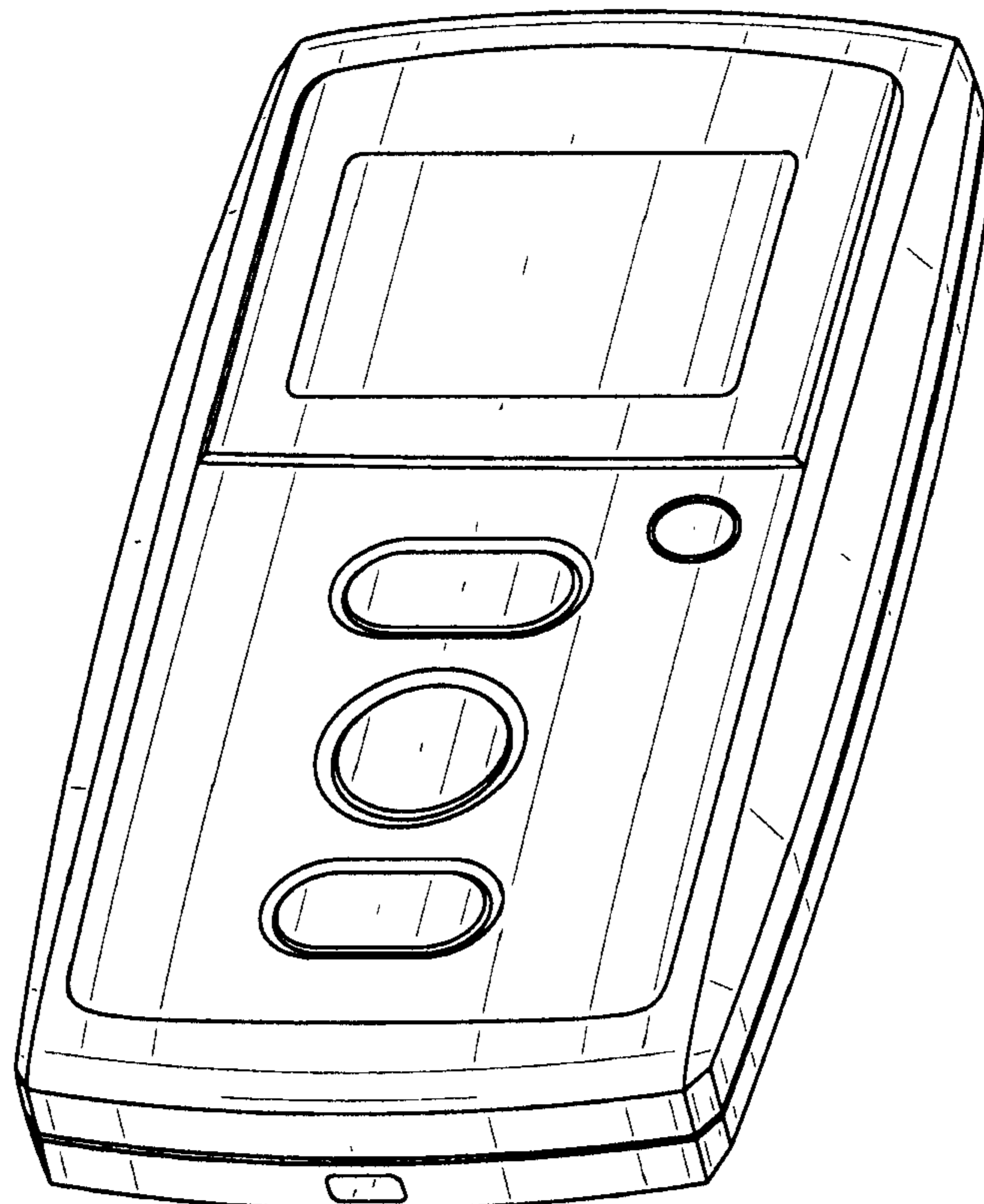
FIG. 4 is a side view of the pedometer;

FIG. 5 is another side view of the pedometer;

FIG. 6 is a top view of the pedometer; and,

FIG. 7 is a bottom view of the pedometer.

1 Claim, 5 Drawing Sheets



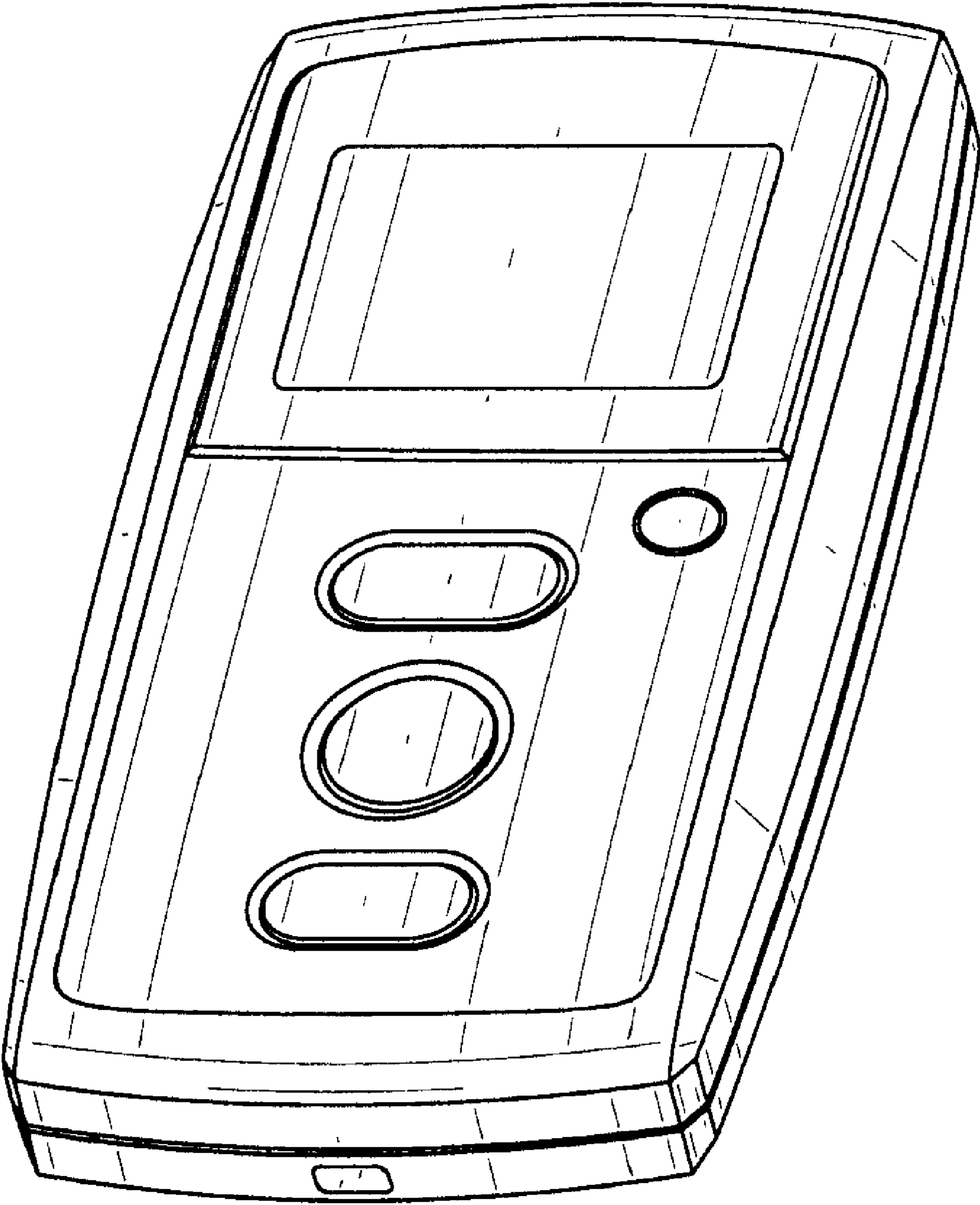


FIG. 1

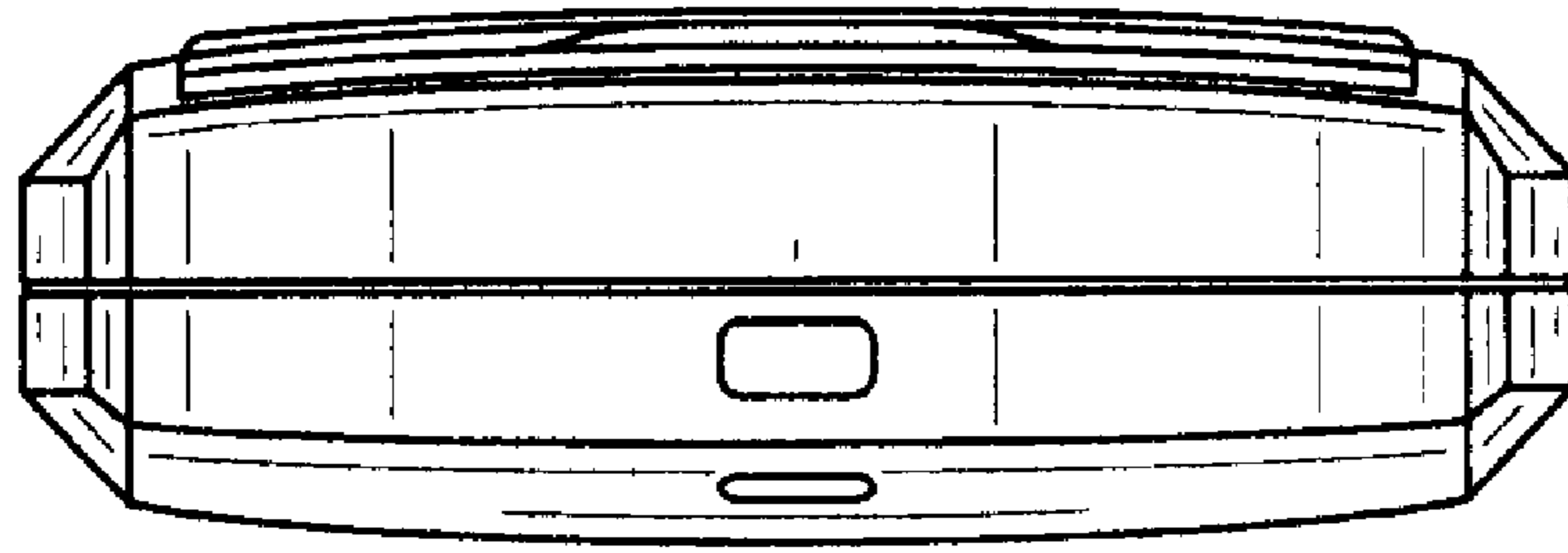


FIG. 2

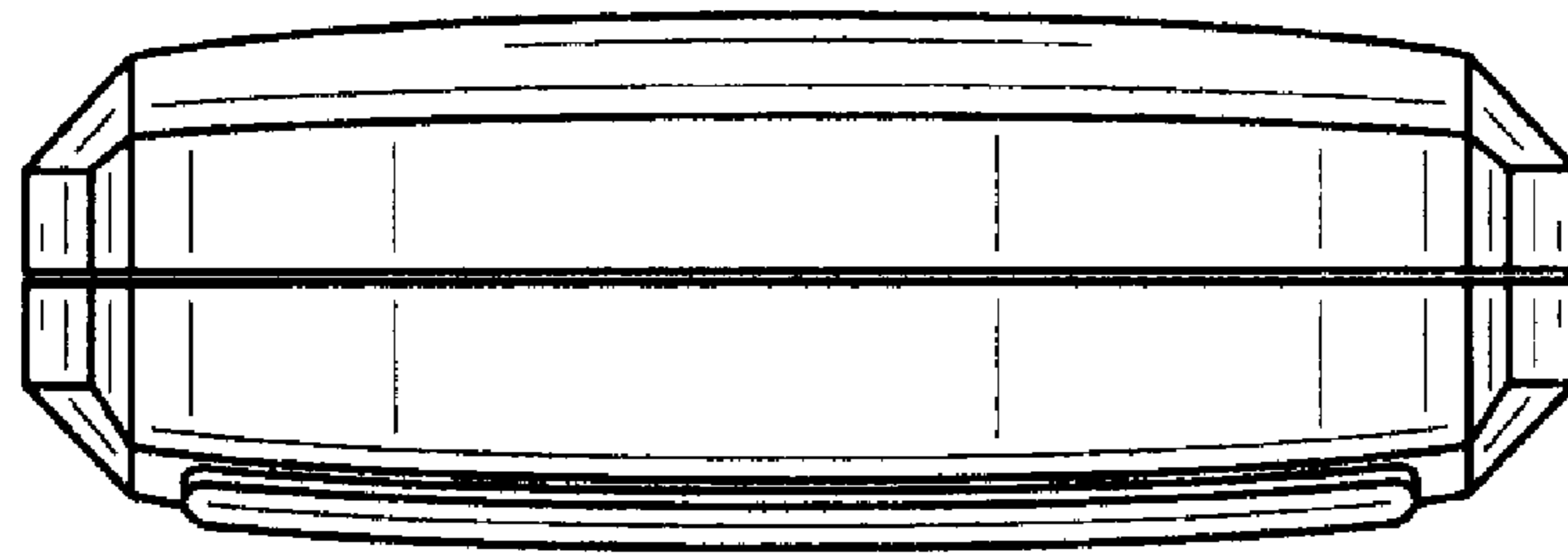


FIG. 3

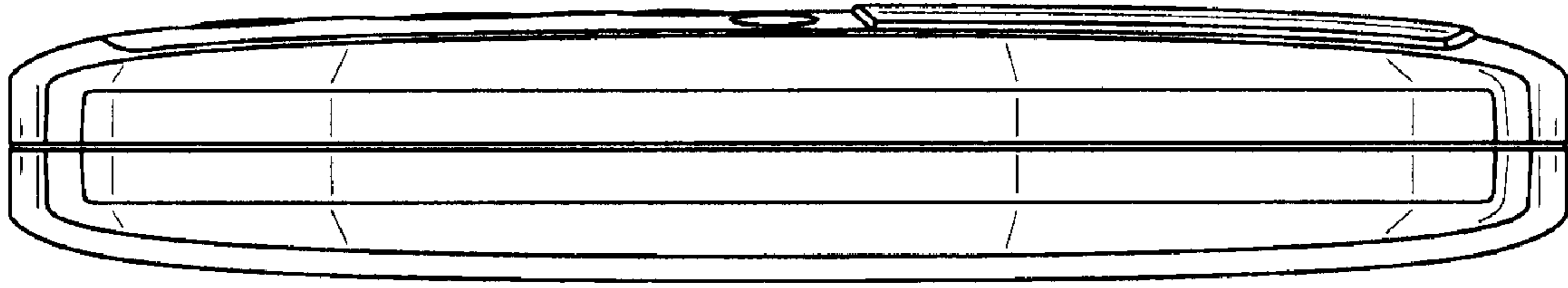


FIG. 4

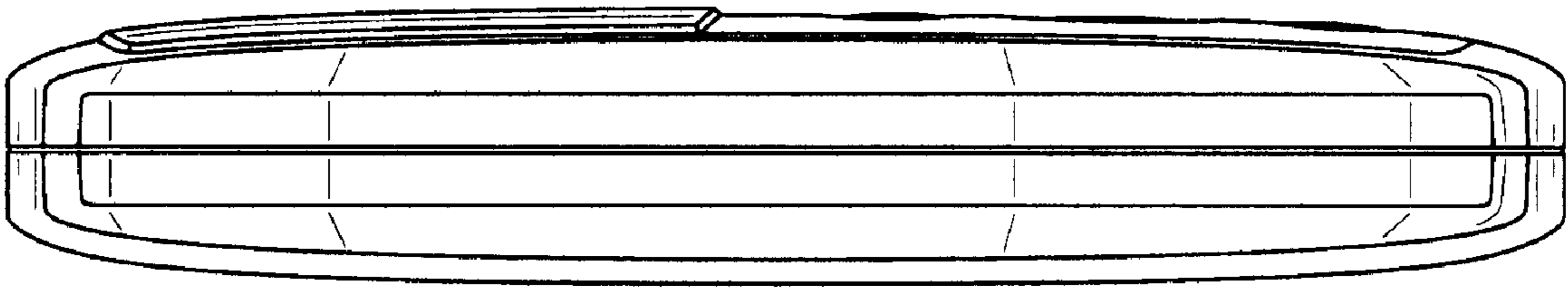


FIG. 5

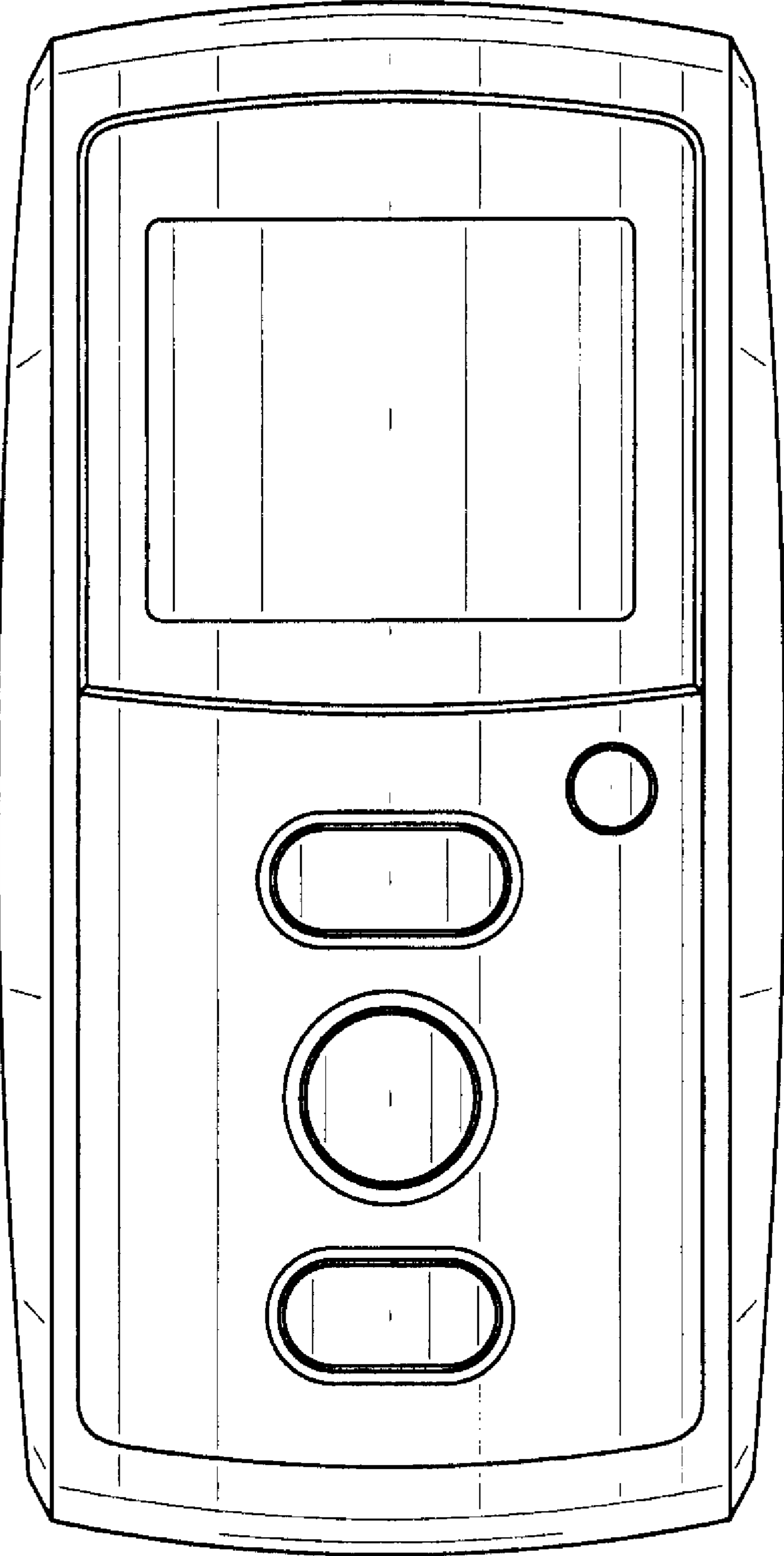


FIG. 6

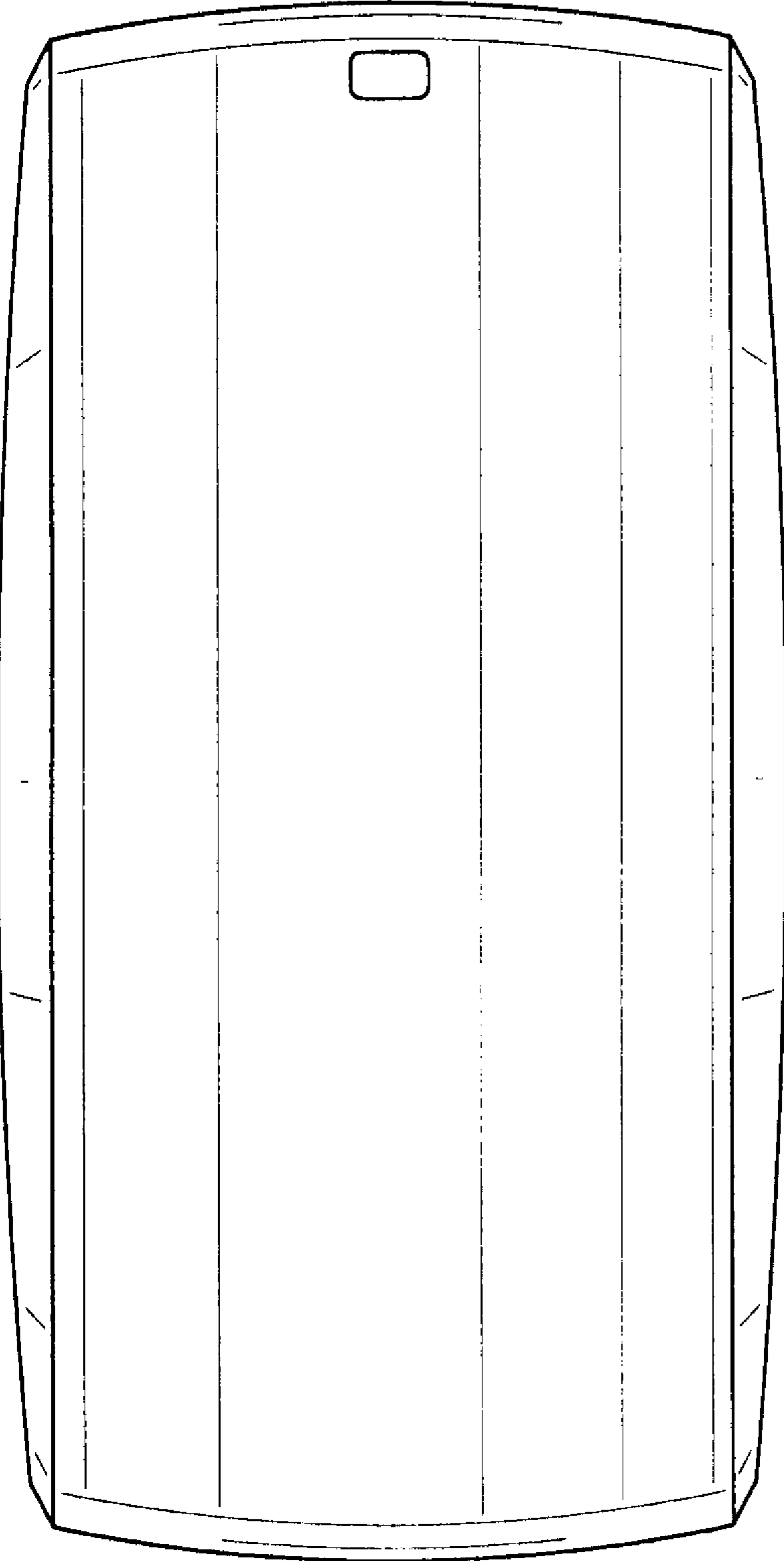


FIG. 7