



US00D545224S

(12) **United States Design Patent**
Sandy et al.

(10) **Patent No.:** **US D545,224 S**

(45) **Date of Patent:** **** Jun. 26, 2007**

(54) **PEDOMETER**

(57) **CLAIM**

(75) Inventors: **Bonni Shevin Sandy**, Morton Grove, IL (US); **Xiao Gang**, Guangdong (CN)

The ornamental design for a pedometer, as shown in the drawings.

(73) Assignee: **Dard Products, Inc.**, Evanston, IL (US)

DESCRIPTION

(**) Term: **14 Years**

FIG. 1 is a front and right side perspective view.

(21) Appl. No.: **29/249,095**

FIG. 2 is a front view.

(22) Filed: **Sep. 20, 2006**

FIG. 3 is a rear view.

(51) **LOC (8) Cl.** **10-04**

FIG. 4 is a right side view.

(52) **U.S. Cl.** **D10/70**

FIG. 5 is a left side view.

(58) **Field of Classification Search** D10/70;
235/95 C, 105; 377/5, 24.2, 26; 702/144,
702/160, 176

FIG. 6 is a top view; and,

FIG. 7 is a bottom view.

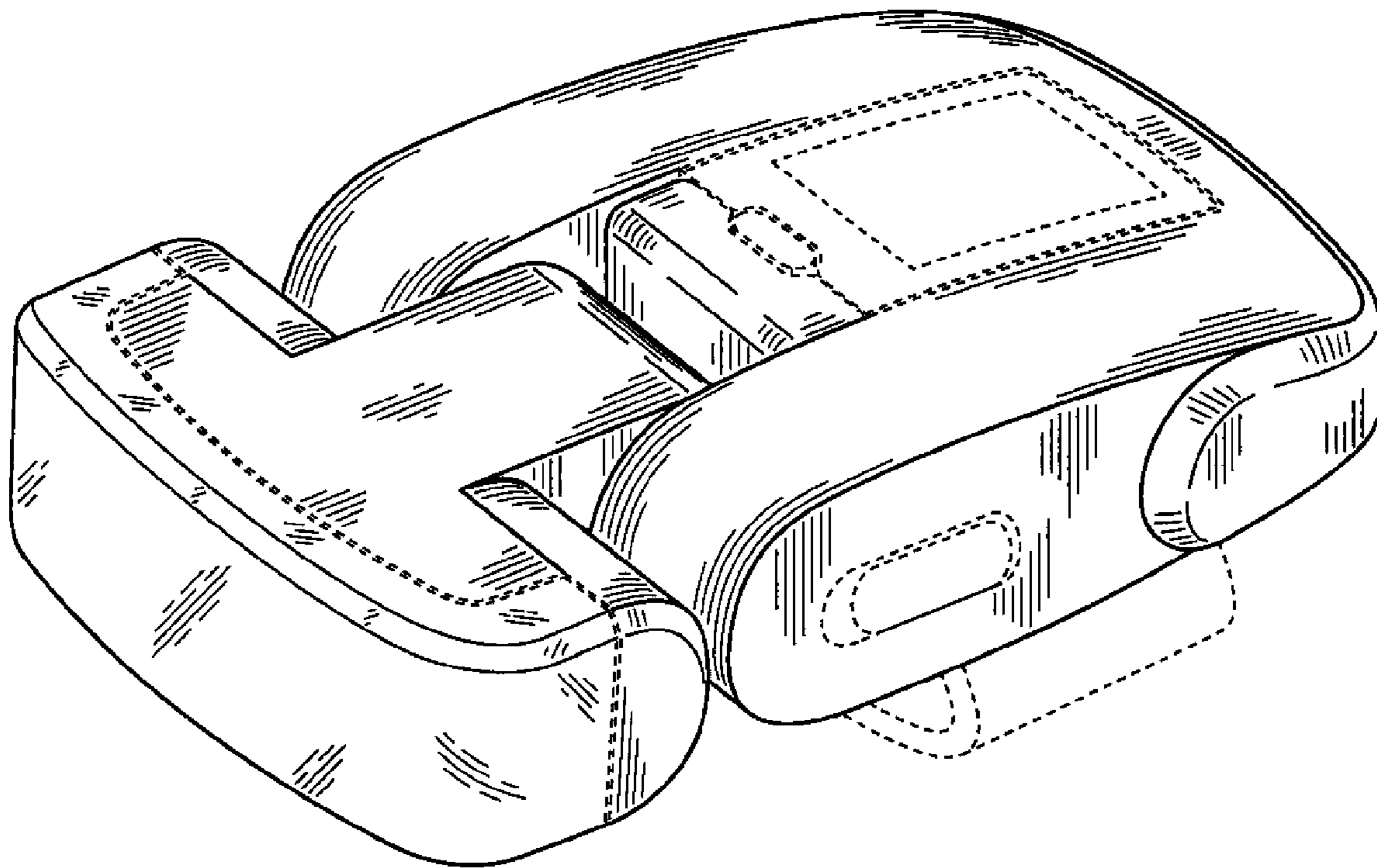
See application file for complete search history.

The broken line showing is included for the purpose of illustrating non-claimed subject matter and forms no part of the claimed design.

Primary Examiner—Antoine D. Davis

(74) *Attorney, Agent, or Firm*—Perkins Coie LLP

1 Claim, 4 Drawing Sheets



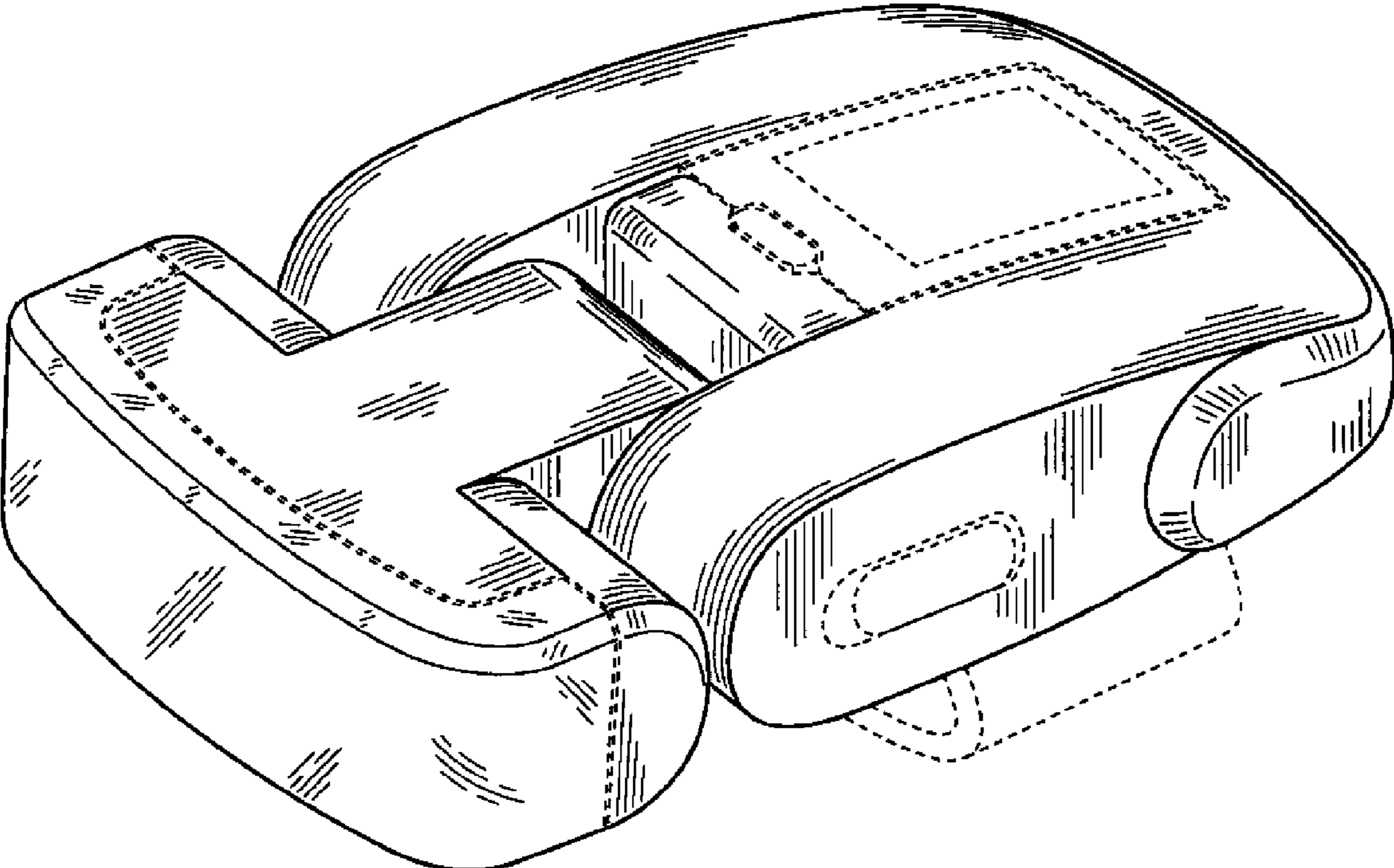


FIG. 1

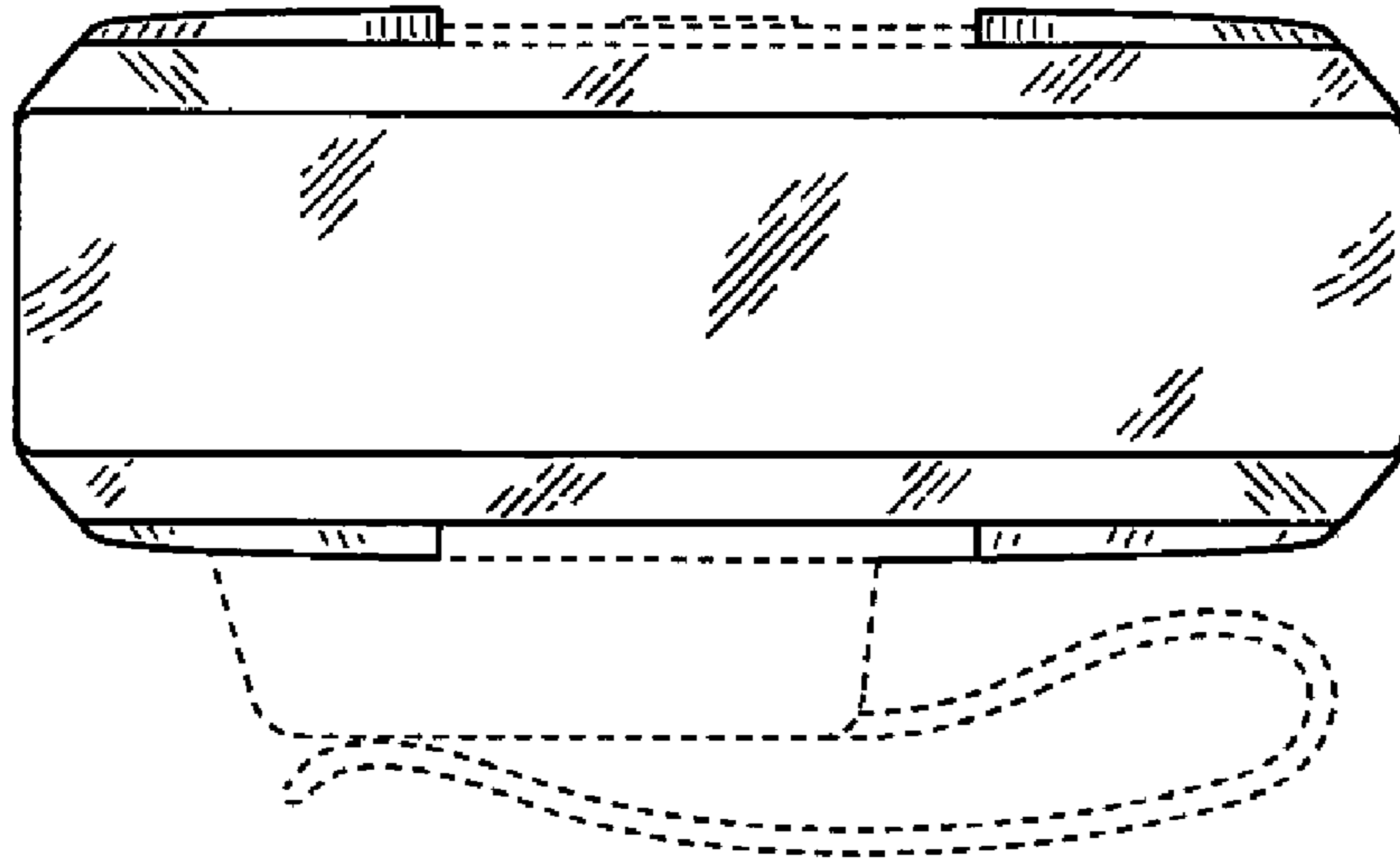


FIG. 2

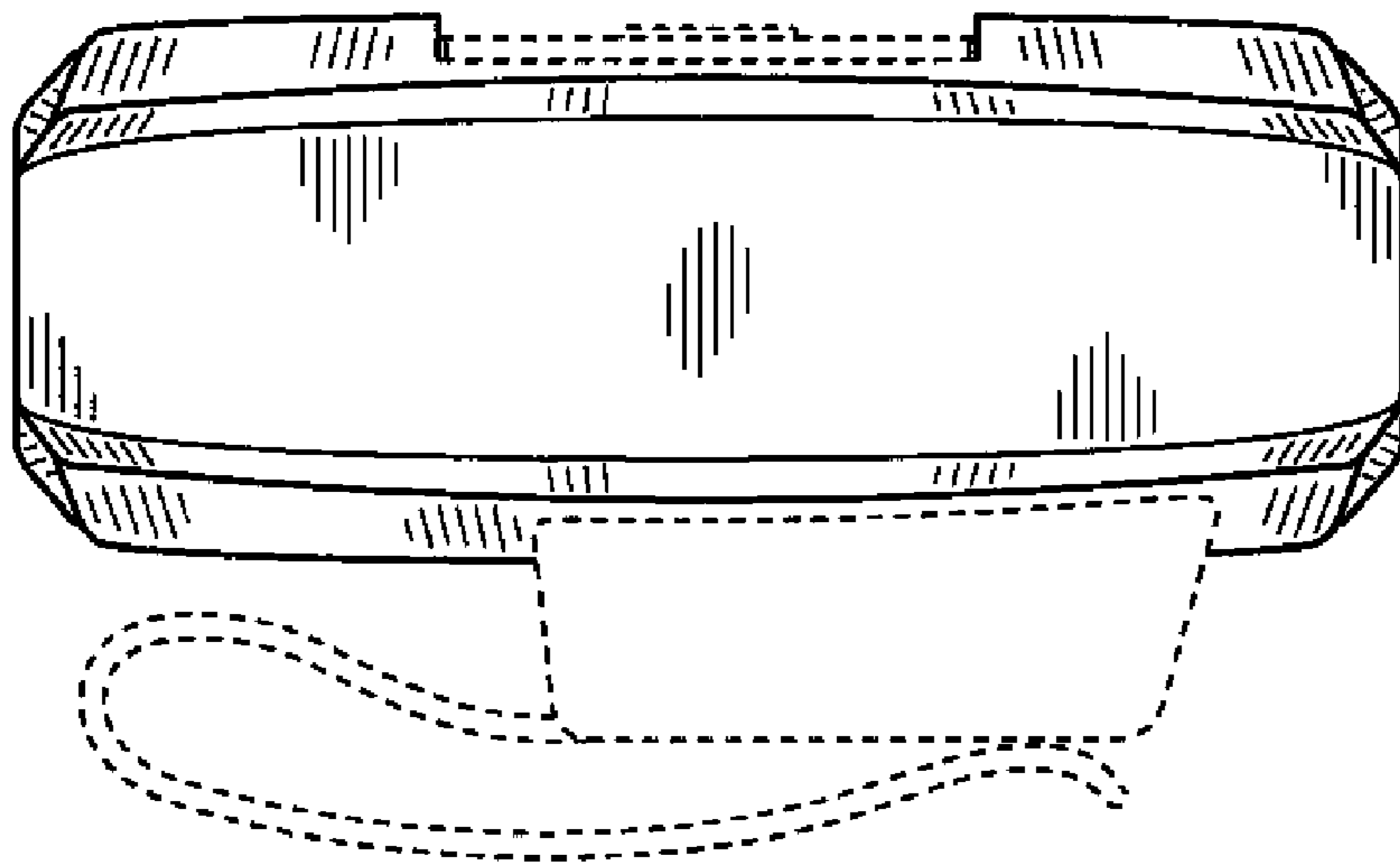


FIG. 3

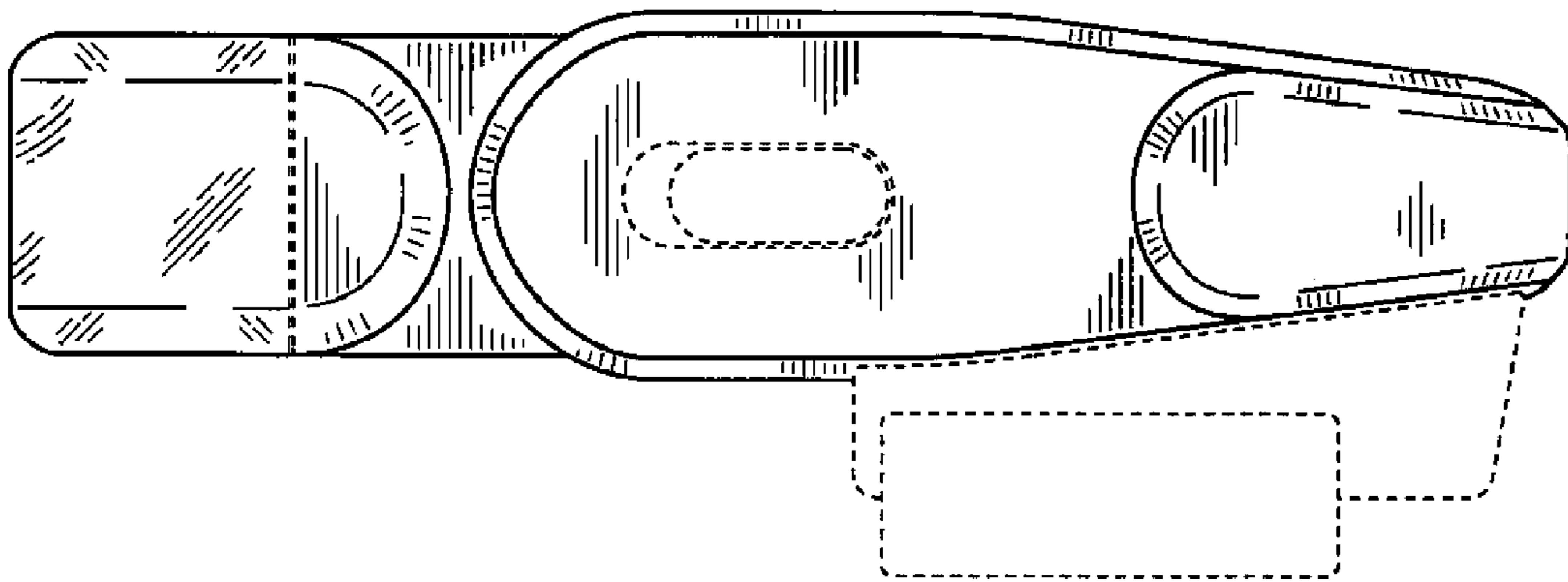


FIG. 4

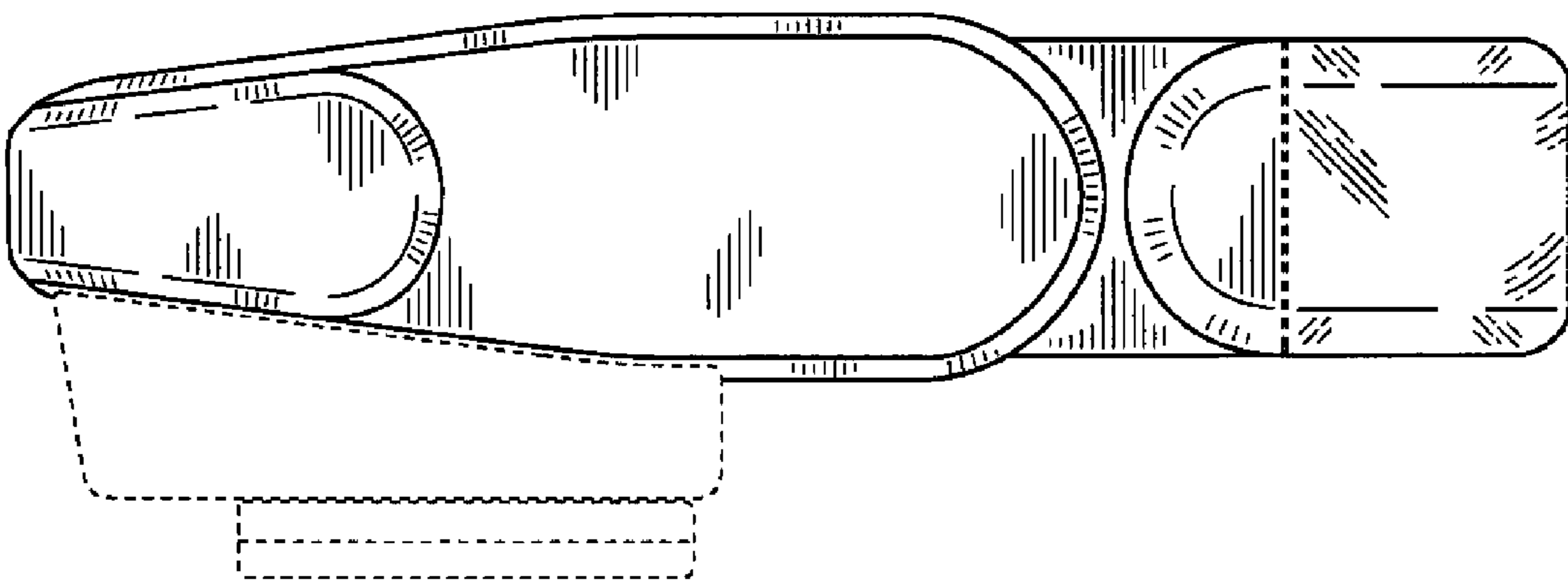


FIG. 5

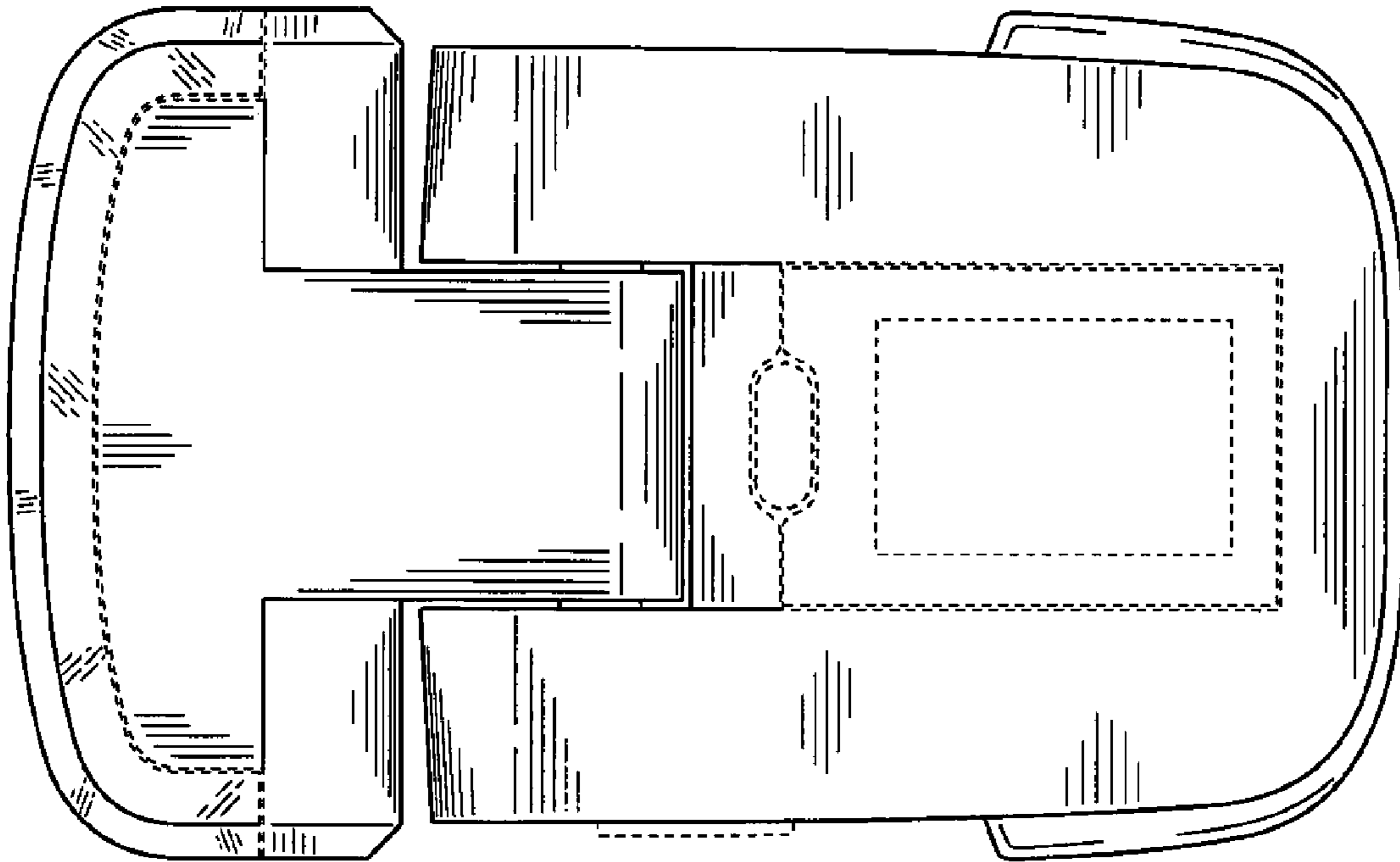


FIG. 6

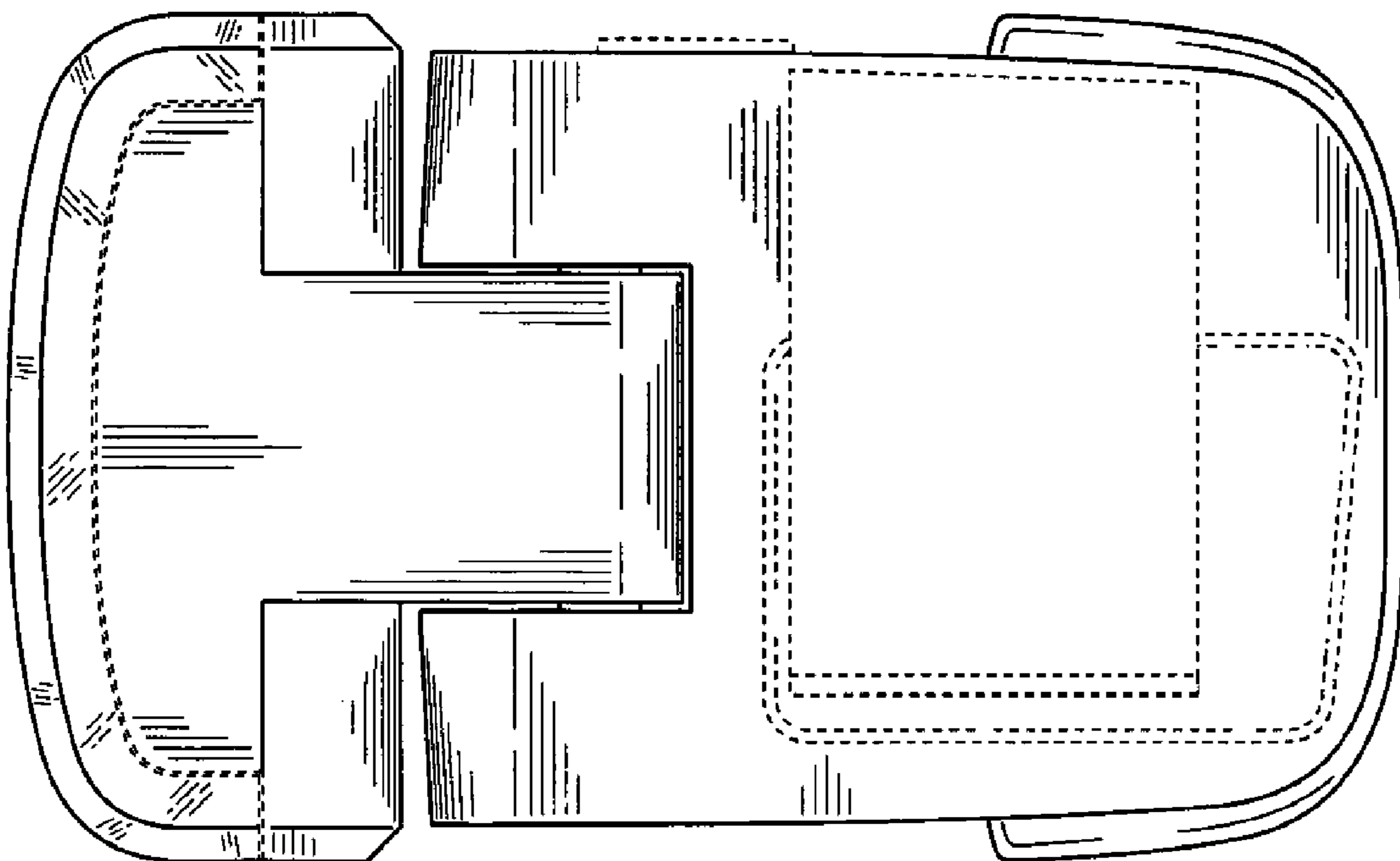


FIG. 7